

# OPERATION MIND CONTROL

Walter H. Bowart

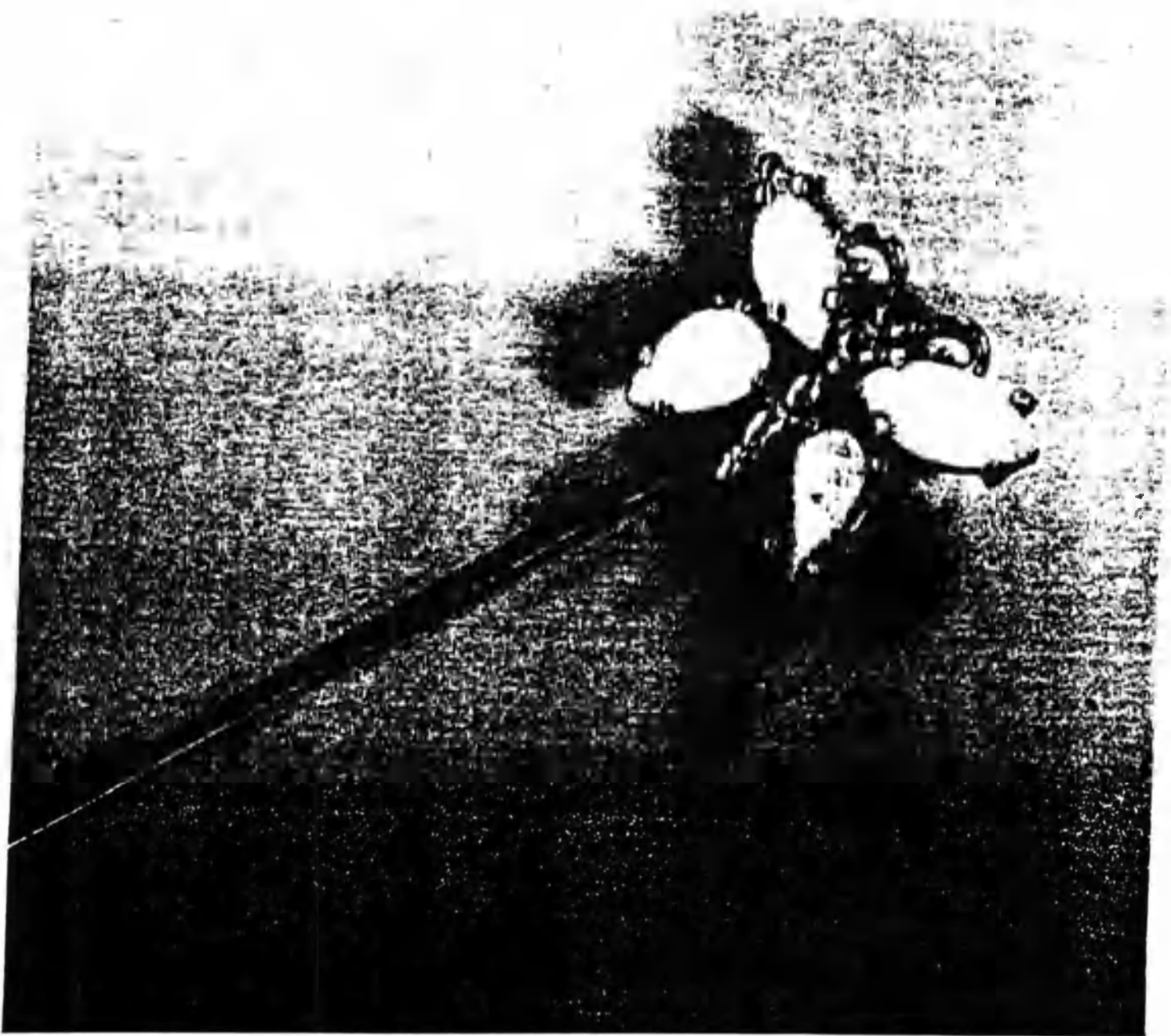




## **David, Young Air Force Sergeant: He Was One Of The Victims.**

"Ever since I got out of the service I haven't been able to give a day-by-day account of what happened to me during those four years. The scary thing is that I still have a horrible fear of talking. I have a tendency to speed up my speech when I'm being pressed on something; and I get very tense when anyone asks me about my service duties.

"Something has happened to my mind. . ."



This expensive gold pin, in which is set a rare white jade, diamonds, and emeralds, was worn on special occasions by a "Presidential Model". Each of the stones as well as the symbol of the butterfly were used in programming the woman who wore it. The pin also served as a signal to handlers. It told them that the beauty who wore it had received the 'Monarch Programming' and would fall under the spell of anyone who possessed the codes, cues and triggers. Operation Mind Control was largely a male chauvinist's game.

## **About The Author**

W.H. Bowart was awarded the McMahon Scholarship in journalism to the University of Oklahoma. In 1965 he founded the New York Weekly *The East Village Other*. That same year he founded *The Underground Press Syndicate* which quickly grew to include 200 papers around the world. Since that time he has edited *The Aspen Daily News*, *The Port Townsend Daily News* and *Palm Springs Life*. He has written numerous articles and several novels under a variety of noms de plume. He is on the Advisory Board of The Freedom of Thought Foundation and, at present is making a documentary based on this book.

#### *4 Operation Mind Control*

##### **Page numbering errata:**

Several pages had to be inserted and are marked with "a". For example if a page had to be inserted between this one and the next one it would be marked "4a". There is no page 571 so please don't look for it, or write us asking for it.

# OPERATION MIND CONTROL

By W.H. Bowart

RESEARCHER'S EDITION

Published by  
FLATLAND EDITIONS  
P.O. Box 2420  
Fort Bragg, Ca. 95437

©1978 by W.H. Bowart  
Revised expanded second edition common law copyright 1994 by  
International Artists Trust of Eiran

First Edition published by Dell Publishing Company 1978  
Revised and expanded Researchers Edition published 1994

All rights reserved. No part of this book may be reproduced in any form or by any means without the prior written permission of the Publisher, excepting brief quotes used in connection with reviews written specifically for inclusion in a magazine or newspaper.

**NOTICE TO COPYMACHINE OPERATORS:**

**COPY ONLY REGISTERED COPIES, NUMBERED AND WITH THE ORIGINAL  
SIGNATURE AND SEAL MADE OUT IN THE NAME OF THE OWNER.  
DO NOT COPY THIS WITHOUT SIGNED AND SEALED SHAREWARE  
COPYRIGHT AGREEMENT SHOWING ROYALTIES PAID AND THE NUMBER OF  
COPIES AUTHORIZED TO THE LICENSCEE.**

**( You will be asked to mail the permits back in an attached self-addressed stamped  
envelope.)**

Cover price: \$80

Photocopying of this book is permitted in this way, as shareware, by sending a  
royalty check for \$15.00 per copy to the author, W.H. Bowart, P.O. Box 35072,  
Tucson, Arizona 85740-5072

Registered owners of this book shall be notified about future Researchers Updates  
when they occur, and will be sent appendices and additional materials.

Researchers are urged to submit their corrections, criticisms and arguments to  
the author at the above address.

Printed in the United States of America

Second Edition (Research Edition of 500 copies) numbered and printed November 1994



**This book is dedicated to the survivors of Operation Mind Control.**

**Also, this book is dedicated to my best pal,  
without whose support it could not have been accomplished.**

**This is a limited Researcher's Edition of  
Operation Mind Control.**

**Information in this book  
differs from information  
previously made public.  
This book is an inquiry  
into the discrepancies.**

*"I know of no safe depository of the ultimate powers of society but the people themselves, and if we think them not enlightened enough to exercise their control with a wholesome discretion, the remedy is not to take it from them, but to inform their discretion by education."*

--- Thomas Jefferson

*"In the technotronic society the trend would seem to be towards the aggregation of the individual support of millions of uncoordinated citizens, easily within the reach of magnetic and attractive personalities effectively exploiting the latest communication techniques to manipulate emotions and control reason."*

--- Zbigniew Brzezinski, National Security Advisor

*"I don't believe the Constitution of the United States gives you the right to commit a crime if you want to; therefore, the Constitution does not guarantee you the right to maintain inviolable the personality forced on you in the first place – if and when the personality manifests strongly antisocial behavior. The new behavioral control techniques make even the hydrogen bomb look like a child's toy, and, of course, they can be used for good or evil..."*

--- Dr. James V. McConnell, Professor of Psychology, University of Michigan

*"Only puny secrets need protection. Big discoveries are protected by public incredulity."*

--- Marshall McLuhan and Barrington Nevitt

## Note for the second edition

# A WARNING TO SURVIVORS!

This book contains information that will trigger you. Give it to your deprogrammer, rather than try to read it yourself unless you have a thoroughly reintegrated personality. Some of this information is wrong and can be harmful to you. Inevitably it is impossible to weed out the triggers, since programming varies from person to person, from handler to handler. Thus, know that if you have ever been programmed you may be triggered by information in this book

At the end of the book is an information sheet about the Freedom of Thought Foundation which, as of this writing, is an ad hoc committee of survivors, researchers, therapists, deprogrammers, counselors, lawyers, doctors and civil rights activists. We hope that this will, in the short term, evolve into a reliable referral service so that more survivors can be directed to qualified deprogrammers and that more therapists, doctors and counselors can learn the efficient technologies to help victims of classical trauma- based programming. In the long term we hope that it will also become an effective political organization to curb human experimentation and attacks on the human mind on both an individual and collective basis.

In order to protect us all from cross-pollination or contamination, certain specific, but trivial information is deliberately false and has been planted as a sort of "tag". Thus if survivors start coming up with the planted information we will know that there's a probability that they have been corrupted by this book.

The author, editors or publisher take no responsibility for any triggering that may occur.

## Author's Note

**T**his book is an exercise in citizens intelligence. The editorial "we" is used herein literally. This book is the result of a collaboration of many. The author and the majority of those who have contributed to it are private citizens working on their own in a synergistic effort, without major funding or corporate support, without government privilege or "need to know," other than that need cited by Jefferson -- the need for informed discretion in a democracy. Without the help of these many people who, like the author, were motivated by shock and outrage that citizens have been so victimized by their own government this book would not have been undertaken.

Thanks first to the survivors of mind control who had the courage to come forward and tell their stories. Since this book first came out I have interviewed countless more mind control survivors. Alas, while adding much to the content of my files, few have shed new light on the processes involved. The network which produced this book will continue to look for the codes, cues and triggers by which to unlock the multi-personalities -- appropriate states from the past which are moved forward to this inappropriate present -- so that they can join in the life of the whole human being within whom they have been locked.

A number of professional people gave valuable technical assistance and patient explanations. My thanks to Harry Arons, Robert Brauers, David Bruce, Dr. and Mrs. Sidney M. Cohen, Drs. Gary and Gwen Dean, Robert Dunn, Dr. Remo Dicenso, Betty Dumaine, Dr. Milton E. Erickson, Morris Ernst, Bernard Fensterwald, George Griffin, Col. Laird Gutttersen, Dr. Corey Hammond, Averell Harriman, Dr. Paul Henshaw, Edward Hunter, Hon. Louis K. Lefkowitz, John MacDonald, Dr. Colin Ross, V.R. Sanchez, Alan W. Sheflin, Dr. Edgar Schein, David Wise, Mrs. E.D. Yeomans, and Col. Joseph H. Ziglinski.

I received a great deal of assistance from a number of researchers and writers around the world. Thanks to David Bareglass, Chip Berlet, Martin Cannon, Steve Bratcher, Nancy Bressler, Jeff Cohen, Loren Coleman, Richard Crowe, David Emory, Edward J. Epstein, William Grimstad, Paul Hoch, L. Ron Hubbard, Trevor Harvey, John Judge, Larry Lee, Charles Maierson, John Marks, Jim Martin, John McGuffin, David McQueen, Sandra Meiersdorff, Janet Michaud, Beverly Ogden, George O'Toole, Kenn Thomas, Wes Thomas, Richard Popkin, Jeff Quiros, Sir William Stevenson, Scoop Sweeny, Civia Tamarkin, Harold Weisberg, David Williams, Cheryl Welsh, Peter Watson, Charles Zeps and the many people who sent me clippings, documents and testimonies over the years.

Mae Brussell kept in contact with me from the time this book was originally released until her untimely death. She illuminated my understanding on Project Paperclip, the cryptocracy's illegal importation of Nazis into the U.S. intelligence systems after WWII, and called my attention to the circumstances of the probable programming of the assassin of John Lennon and the attempted assassins of Gerald Ford and Ronald Reagan.

Other valuable assistance was given by the following institutions and organizations: The Rare Books and Special Collections Division of Princeton University Library, Brain Mind Bulletin, Zodiac News Service, Freedom News Service, Pacific News Service, The Fifth Estate, Network Against Psychiatric Assault, The Assassination Information Bureau, American Society of Clinical Hypnosis, Sanity Now, Society for Clinical and Experimental Hypnosis, Center for National Security Studies, Group for the Advancement of Psychiatry, World Wide Photos/ United Press, Library of Congress and the National Technical Information Service.

Anthony Robbins and the staff of Robbins Research Institute trained me in Neuro-linguistics Programming and stuck with me through all sorts of adventures until I earned my certification, finally assimilating what Milton Erickson had been trying to get me to understand in 1976. So-called NLP, was a big Eureka. I saw it as ( if applied for the highest purposes ) a great tool of liberation, discovery and human achievement. Even though NLP has been a valuable tool of the cryptocrats, there are always many more good guys than bad guys.

My understanding of the intelligence community was molded by exchanges with a number of intelligence and military people. Most of them wish to remain nameless.

Special overt thanks to Colonel L. Fletcher Prouty for his patient accounts and interpretations of the Cold War history which he witnessed from within the fledgling cryptocracy. Thanks also go to Michael Kradz and Alan Bell of Dektor Counter-intelligence and Security who trained me in the use of the Psychological

Stress Evaluator, and Carl F. Boode of Desert Security who made his equipment available to me to examine the stress patterns of those I interviewed..

Tom Miller gave me much of his time and expertise, as citizens counter-intelligence agent extraordinaire. His interest in the subject never waned, and research for his own book "The Assassination Please Almanac" (1977, Contemporary Books) uncovered leads for this one.

Kudos to Johanna Moore Gruneck, Martha Sowerwine and my mother, for their patience and support.

Between the first edition and this one, seventeen years have passed. My thanks go to all those who kept demanding that this book be brought back into print. It was their demand which drove the price of the original paperback to a remarkable \$250 per fine copy and finally created the market demand for this Researchers Edition.

I owe a special thanks to a number who insist on anonymity. Thank you all for providing the additional research for this expanded edition and, as always, to Richard Condon who gave me early encouragement and offered his valued commentary in the mid 70's, at the beginning of my quest for the truth. Last and foremost I am indebted to my Enid High School journalism teacher, Miss Ruth Scott, who started me on the path of citizens intelligence so long ago.

Walter Bowart

November 11, 1994

Paradise, Arizona





## Contents

- Chapter 1 The Cryptorian Candidate
- Chapter 2 Only One Mind for My Country
- Chapter 3 The Mind Laundry Myth
- Chapter 4 Without Knowledge or Consent
- Chapter 5 Holy Acid Wars
- Chapter 6 The Guinea Pig Army
- Chapter 7 The MKULTRANS
- Chapter 8 The Mata Hari of Mind Control
- Chapter 9 The Story of O
- Chapter 10 MINDWAR
- Chapter 11 Project Monarch?
- Chapter 12 Thanks for the Memories
- Chapter 13 Monarch Corroboration
- Chapter 14 Himmler's Guinea Kids
- Chapter 15 Finders, Kidnappers, Nazis
- Chapter 16 May The Force Be With Us!
- Chapter 17 The Slaves Who Buried the Pharoah
- Chapter 18 Brave New World in a Skinner Box
- Chapter 19 A School for Assassins
- Chapter 20 The Four Faces of a Zombie
- Chapter 21 The Lone Nuts
- Chapter 22 The Ignored Confessions
- Chapter 23 Another Hypno-Patsy?
- Chapter 24 Confession by Automatic Writing
- Chapter 25 The Patriotic Assassin
- Chapter 26 Sleeper Agent
- Chapter 27 Deep Probe
- Chapter 28 From Bionic Woman to Stimulated Cat
- Chapter 29 Invisible Warfare
- Chapter 30 Tuned to A Mental Radio?
- Chapter 31 The Warrior's Tongue
- Chapter 32 Cult Control

- ◆ Chapter 33 The Fire In Waco
  - ◆ Chapter 34 Have Buck Rogers Ray Gun - Will Travel
  - ◆ Chapter 35 Human EM Targets
  - ◆ Chapter 36 A Satanic-UFO Reich?
  - ◆ Chapter 37 The COM-12 Briefing
  - ◆ Chapter 38 Project Greenstar?
  - ◆ Chapter 39 False Memory Spindrome
  - ◆ Chapter 40 Dangerous Free Thinking
  - ◆ Chapter 41 A Repealing Thought
- 
- ◆ Shareware order form
  - ◆ Freedom of Thought Foundation Membership Application

## Foreword

by Richard Condon

Author of *The Manchurian Candidate*

**T**he father of Grock the clown, having had his legs broken in eight places by his father for professional reasons broke Grock's legs in eight places to be certain that the child would grow up walking grotesquely so as to ensure his eminence as a clown. The act brought much pain and indignity forever but, Grock's father reasoned, was there not a wholly justifiable element involved? Was not the clowning tradition immortally enhanced by those unnatural legs?

As demonstrated inescapably by W.H. Bowart in this book, our Father who art in the American secret police has endowed hundreds of scientists at American universities to unravel methods for fracturing American minds. That this research in so many great halls of learning has exceeded a cost of untold secret millions of dollars (the only yardstick remaining by which we are willing to measure anything) indicates that this Grockian entertainment being produced by our secret police is a matter of ambitious policy rather than the happenstance of cloak-and-dagger adventure.

In this book W.H. Bowart has proven each step of this official, terminal, government anarchy, even though that appears to be a contradiction in terms. To alter and control human minds is the ultimate anarchy. What is offered by official apologists as a tribute to the deeds of daring-do by romantic spies are acts of hatred and sadism against all people in an insane and degraded determination to extirpate conscience from society.

W.H. Bowart underwent a long and expensive process to assemble the hard facts which comprise this book. Each document attesting to secret police intent had to be ferreted out of government archives by badgering persistence until, page by page, the information was released to him by his right under the Freedom of Information Act. The essence of that law seems to be that one need only write away to a federal agency for information about the general areas in which the citizen is interested. Not so. W.H. Bowart needed to expend large sums of money to employ researchers in Washington and elsewhere in order to discover the precise name, number, and description of the contents of each document toward which he was groping through black streams of informational darkness. Without this it would have been impossible to apply for the transfer of copies of these

documents to himself for this book. He had to comb the United States for people from many walks of life who knew, vaguely remembered, or suspected that they had been under the mind control of secret police and military agencies, then had to backtrack again with information gleaned from them to labyrinthine research among thousands of federal archives.

Please keep fearfully in mind that the astonishing information published in this seminal work of investigative reporting, concerning avenues taken to decision and execution by our secret police to fracture or dissolve human minds, then to operate a Yo-Yo, for purposes of counter-intelligence military "efficiency," and the destruction of democratic institutions, was drawn directly from federal records and from official laboratory archives of the highest educational purpose -- as well as from the reviving memories of those who had already undergone the dehumanizing process.

The prostitution of the mind by our secret police preceded the murder of the mind. To attain the advanced techniques now available to "magnetic and attractive" political personalities, it was necessary to turn out the laboratories of science as a pimp turns out his heartless whores upon the winter streets; our hallowed educators, army and navy and air force commanders and personnel, the beloved medical profession, august and inspiring temples of the law, our esteemed statesmen, and all Americans living and dead. Each one of those groups is involved in this dismembering of the mind.

Taxes and the collective conscience make the urination of the secret police upon the human mind possible. "Brainwashing" per se is no news to any of us. Controlled assassins are not known to us only through fiction. Advertising assaults on behalf of poisonous materials to induce us successfully to buy and consume are early on bastions of mind control.

No one -- not anyone -- needs theologians to answer the question: "Where does the soul live?" We know the soul lives in the mind because the soul is the mind in all of its unfathomably intricate individual conditioning. It is the mind of intent, of hope, of purpose, of achievement by the spirit beyond achievement by physical action.

When Grock's father broke his son's legs in eight places there may have been alarm, on the one hand, that a man could do such a calamitous thing to his son but, on the other, the same people responded to Grock's genius to which those hopelessly deformed legs had contributed, and roared with laughter. That was the normal reaction when we were the audience and crazy-legs Grock was the clown. But W.H. Bowart demonstrates to us in this book that we have become Grock. We are the spinning, hobbling, waddling clowns in the eyes of our vividly delineated secret police.

"Oh, no!" (Can you hear the outcry?) Oh, yes, writes W.H. Bowart in this fearful record you now hold in your hands.

Apologists rush in, hired for all such occasions from everywhere, by the secret government crying out, "you are, as usual, like all of your exaggerating kind, making a mountain out of a molehill. While it may (or may not) be true that our secret police occasionally swing the sledgehammer on little minds, it is (or is not) being done as a patriotic act to protect our beloved people." They reel backward, hands clutching chests as the full realization seems to hit them. "My God! Bowart cannot believe that our government of the people, by the people, and for the people would use such loathsome forces against citizens. If such research was done (or was not done) then it would be for purely abstract research reasons -- for the expansion of human knowledge."

W.H. Bowart's book is also a freezing vision of the mutations of the aspirations of science. Scientists, educators, and their leaders, The Great Men, Having stumbled upon the possibility of controlling the human mind, might well have withheld this knowledge from the secret police and brought it forward for all to share, would you not say? If the means are at hand actually to enter and control the mind -- not through the far-off smoke signals of psychiatry and psychoanalysis -- can we conceive of what might be found in terms of medical triumphs, the conquest of pain and of group hatreds, and mental energy released by unraveling the Garden knots of mental perplexity to make one straight laser line that might then pierce the doubts and fears which beset each one of us? In terms of education light-years ahead of the educational means we presently employ, in basic and advanced of cultures, languages, and skills; in short, understanding each other across the face of the world, this development of Mind Control makes the invention of movable type seem like a primordial grunt from the shadows of a rain forest lost in time.

What has been achieved by the secret police in relation to mind control is scrupulously set down in W.H. Bowart's extraordinary book. The question the book puts is this: do you wish this immeasurably important technique to remain as a weapon to be used against you and your children by what Bowart calls the Cryptocracy, or do you wish to use it as a universal key to unlock a thousand new chances that your children will not be murdered in future wars?

In an epigraph to this book, Zbigniew Brzezinski measures the political probabilities of mind control use when he says, "exploiting the latest communications techniques to manipulate emotion and control reason." To day our secret police and our military establishment have demonstrated in Vietnam and elsewhere (examined by Bowart herein), the powers to create assassins out of our children. The expansion of these powers, which are able to turn young men and women into murderous criminals at will, goes on unchecked by the oft-called "investigative" press, by "moral" leaders at the bar, in the pulpits, in high

government, and on campuses. Yet the people they call the public have long suspected that it has become government policy to control minds. If there is general information abroad on this subject, then consider that which must be at the disposal of the congressional investigating committees as they bugle their determination to control the powers of darkness within our secret police.

Zombie is a quaint, old-fashioned folklore word which, by its meaning, becomes obscene when our children's minds are being controlled by any one of dozens of federal secret police agencies. Have government agencies perfected methods sustained by the taxpayers to control the minds of the people who shot the Kennedy's, Martin Luther King, and Orlando Letelier, the former Chilean economist and diplomat. Were the assassins programmed to forget they did it or were they programmed to do it? We may never know for they stand bewildered, idiotically grinning for the cameras. Have the technicians developed a model Giant, Economy-Size Government Assassin which can easily be turned out by the thousands?

The murders of a few hundred humans by a few hundred other humans is commonplace enough but, for the flavor of horror and terror, of endless nightmare rampant upon a landscape of what was once American democracy, consider this expansion of the Brzezinski epigraph which cannot be repeated often enough: "In the technotronic society the trend would seem to be toward the aggregation of the individual support of millions of uncoordinated citizens, easily within the reach of magnetic and attractive personalities, effectively exploiting the latest communications techniques to manipulate emotion and control reason."

The threatening state of American political leadership over the last fifteen years may seem to murmur that the "magnetic and attractive personalities" might rather not resist the destruction of democratic institutions by "effectively exploiting" these shocking gains into the control of minds. It might even be wise to consider W.H. Bowart's real evidence herein, then do what we can to protect ourselves if that proud right, with the love of freedom, has not been atrophied by "the latest communications techniques."

There is an alternative. We can all forever more be transformed into the image of Grock the clown.

Richard Condon

Kilmoganny, Ireland

31 May 1977

# 1

## THE CRYPTORIAN CANDIDATE

**I**t may have been the biggest story since the atom bomb. The headline, however, was small and ignored the larger issue. "Drug Tests by CIA Held More Extensive Than Reported in '75," said the *New York Times* on July 16, 1977. What it should have said is "U.S. Develops Invisible Weapons to Enslave Mankind."

The testing of drugs by the CIA was just a part of the United States government's top-secret mind-control project, a project which had spanned thirty-five years and had involved tens of thousands of individuals. It involved techniques of hypnosis, narco-hypnosis, electronic brain stimulation, behavioral effects of ultrasonic, microwave, and low-frequency sound, aversive and other behavior modification therapies. In fact, there was virtually no aspect of human behavioral control that was not explored in their search for the means to control the memory and will of both individuals and whole masses of people.

The CIA (and the Pentagon) succeeded in developing a whole range of psycho-weapons to expand its already ominous psychological warfare arsenal. With these capabilities, it was now possible to wage a new kind of war -- a war which would take place invisibly, upon the battlefield of the human mind.

"Literature always anticipates life," Oscar Wilde said. "It does not copy it, but molds it to its purpose." By Wilde's definition, then Richard Condon's *The Manchurian Candidate* would appear to be literature.

Condon published his tour de force in 1958. It was the story of an American Army sergeant who was captured by the enemy during the Korean conflict and, in an improbable nine days, was hypno-programmed to murder on cue. The sergeant returned to the United States and was post-hypnotically triggered to kill by the sight of the queen of diamonds in a deck of cards. The sergeant automatically killed several people, among them a candidate for President of the United States. After he killed, his memory of the event was forever sealed by amnesia.

At the time *The Manchurian Candidate* was published few people in the world, Richard Condon included, knew that total control of the mind was possible. Condon was writing fiction; he had merely read up on popular Pavlovian

conditioning manuals and imagined the rest. He had no way of knowing then that mind control had already been the subject of years of secret research within the clandestine agencies of the U.S. government. The tricks of mind control he described were employed (right down to the queen of diamonds cue) by the programmers of real political assassins who developed foolproof techniques for the control of thought, memory, emotions, and behavior.

*The Manchurian Candidate* brought the idea of "brainwashing" to public consciousness. Brainwashing is the use of isolation, deprivation, torture, and indoctrination to break the human will. But what the book actually described was something more than brainwashing. It was mind control: a total takeover of an individual's mind by someone else. The someone else in Condon's version was a mad Chinese psycho-scientist.

Always the satirist, Condon brought the Fu Manchu myth up to date. But, ironically, the techniques he described were first perfected and used not by the Chinese or the Communists, but by the United States.

Condon's portrait of POWs during the Korean conflict went against the accepted scientific and medical opinion of the time, which held that a man could not be made to commit a criminal act against his own will or inner moral code by any known means. Although Condon's book was not completely on target about the details of GI mind control, he did accurately describe some of the motives, coercive methodology, and psychological results of real-life mind control.

The psychological techniques described in *The Manchurian Candidate* had secretly become a reality a decade before Condon saw his story set in type. A decade later it appeared as if Condon's fiction had been used as the blueprint for the creation of an army of hypno-programmed "zombies". Some were assassins prepared to kill on cue. Others were informers, made to remember minute details under hypnosis. Couriers carried illegal messages outside the chain of command, their secrets secured behind posthypnotic blocks. Knowledge of secret information was removed from the minds of those who no longer had the "need to know" -- they were given posthypnotic amnesia.

The fact is, induced amnesia had been used at least since World War Two. In the *Journal of Traumatic Stress*<sup>1</sup> we find the story of a World War two veteran who had been discharged from the service in 1947. According to Karen L. Cassidy and Judith A. Lyons, the veteran had been treated at a V.A. hospital for Post Traumatic Stress Disorder (PTSD) since the war and had enjoyed good health and a lasting relationship until he had his first cardio-vascular accident (CVA), known in layman's terms as a stroke. Then he began to recall all the memories of his intelligence service in the Pacific theater during the Second World War. In 1988

---

<sup>1</sup> Karen L. Cassidy and Judith A. Lyons. *Recall of Traumatic Memories Following Cerebral Vascular Accident*. JOURNAL OF TRAUMATIC STRESS, Vol. 5, No. 4, October, 1992, p. 627, Plenum Publishing Corp., 233 Spring Street, NYC, 10013.



he suffered two CVA's that resulted in right side weakness, speech difficulties, loss of motor control, and disorientation to situation, time, and place. These symptoms gradually resolved and he was able to resume psychotherapy in 1989. During therapy he began to recall combat memories and details of his service as an intelligence officer for which he had previously been amnesic.

According to the journal he particularly recalled "being captured and tortured by administration of intravenous hallucinogens. He also recalled being bayoneted in the right side during hand-to-hand combat, thus explaining the scar previously noted. Newly recalled memories depicted the content of many of his nightmares and dissociative episodes... He recalled his escape and military debriefing in which *he underwent hypnotic procedures to help him forget his combat experiences.* Although his recall of these procedures is sketchy, he remembers that these hypnotic sessions occurred almost daily for several weeks during which time he was also given medications. These procedures focused upon helping him develop an identity and personal history that excluded intelligence service and traumatic events... Additionally while hospitalized, (he) had a flashback in which he mistook IV (intravenous) apparatus for being bayoneted. An Asian physician observed him speaking an Asian dialect during this flashback. Collectively, these data led us to conclude that military events occurred as reported and cannot be dismissed as delusions or fabrications."

The authors noted that in this man's case, "it appears that amnesia for traumatic memories was disinhibited... His case indicates that cognitive impairment, such as that due to declining health and aging, may also impair previously successful defenses and lead to delayed PTSD (post traumatic stress disorder)."

Those who led us to believe that the intelligence agencies were searching for a "Manchurian Candidate" have to go back and rewrite their false assumptions. The fact came well before the fiction.

Most of the ordinary foot soldiers who fought in the dirty, televised Vietnam conflict were released to civilian life without debriefing. For them there was no "decompression" from the rage of war. They were released with all the reflexes of trained assassins intact. Those who had been conditioned in the black science of the war of torture, terror, and technology were debriefed with special attention. Their memories like those of the World War Two veteran mentioned in the *Journal of Traumatic Stress* were completely erased before they were turned out of the military that they returned to civilian life with only the minimum, fragmented knowledge of who they were or what they had done. Their memories had been smudged or removed by drugs, hypnosis, behavior modification, conditioned reflex therapy, or some other evil wonder of mind control.

During my 1978 tour promoting this book, a call came to the *KPIX-TV Good Morning San Francisco Show* while we were on the air. It was a retired Navy

Commander who spoke of losing his memory after being admitted to a Navy hospital after a lengthy tour of duty in which he and his "black pajama team" had assassinated "charismatic" local political leaders behind a "fixed border in Southeast Asia". In a private phone conversation later, the Commander told me that the "fixed border" was indeed that of China. "I got the flu. Almost everybody on the returning team got this heavy flu. We went to the hospital and came out with cardboard memories," he said. "It's taken me 13 years to remember what we had been doing. I'm not proud of it, and I'm afraid to talk."

I had encountered my first case of mind control in the midst of the Watergate scandal. A young man I'd known since childhood had returned from a tour of duty in the U.S. Air Force, with amnesia, remembering nothing of his service, except having had a good time. He subsequently learned, through intensive private psychotherapy, that he'd been hypnotized and conditioned. His mind had been unmade, then remade: his mind had been controlled.

I was completely fascinated by his story, but naturally, in 1973, I thought it was an isolated, single event. Then, quite by accident, a few months later, I overheard another man in my hometown telling what was essentially the same story: how he figured he'd been hypnotized and had his memory erased at a "debriefing" prior to his separation from military service.

After hearing the second story I began to wonder how many more men had their memories erased. I decided to run the following classified ad: "Researcher/writer interested in contacting anyone with knowledge of the use of hypnosis by the military, including ex-servicemen who have reason to believe they were hypnotized (or drugged) while in the service and subsequently exhibited signs of amnesia or hypermnesia (improved memory). All info held in strictest confidence..."

I placed the ad in *Soldier of Fortune* (a magazine which reports on the activities of mercenaries), a number of small publications aimed at hypnotists, behaviorists, neurologists and other professionals, and popular magazines such as *Rolling Stone*. To my amazement, I received more than a hundred replies to the ad. Many stated that they had amnesia.

Ignoring the obvious crank letters, I followed up on the others and discovered that too many were unable to say just what had caused their loss of memory. In some cases, it was obviously a result of the trauma of war -- what came to be called "the post-Vietnam syndrome." So I concentrated on those who had not seen combat but who either had high security clearances or were employed at the periphery of the intelligence services.

Letter and telephone exchanges narrowed the field down to eighteen persons who fit the pattern of the first two men who had reported their amnesia to me. All eighteen had security clearances – and could only recall isolated events from their GI experience. I narrowed the field still further to those who remembered enough to have at least some idea, however fragmentary and incomplete, of what had happened to them.

Their stories were believable, but they shed little light on how amnesia had been induced and what behavior had been controlled. To answer those deeper questions I went to the libraries, and after two years of research I was able to find enough scientific reports and government documents to tell the whole story of what I call Operation Mind Control.

Though the documented trail of mind control extends back many decades, it was not always called by that name. The church and the state have always engaged in psycho-theology and psycho-politics, the psychological manipulation of belief, opinion, and actions for political and/or religious ends. But the complete control of the human mind was only managed in the late 1940s by the U.S. government. It had to have existed in a variety of sub-cultures throughout human history.

My research concentrated on the period from 1938 to the late sixties, the period during which I found there was an effort made by the agencies of the U.S. government to develop sophisticated techniques of psycho-politics and mind control in the modern sense (I thought).

The objective of Operation Mind Control<sup>2</sup> during this period has been to take human beings, both citizens of the United States and citizens of friendly and unfriendly nations and transform them into unthinking, subconsciously programmed "zombies," motivated without their knowledge and against their wills to perform in a variety of ways in which they would not otherwise willingly perform. I learn that this is accomplished through the use of a number of various techniques most of which amount to pain and trauma-based classical conditioning.

Mind control is the most terrible imaginable crime because it is committed not against the body, but against the mind and the soul. Dr. Joost A.M. Meerloo expresses the attitude of the majority of psychologists in calling it "mind rape," and warns that it poses a great "danger of total physical destruction..."

---

<sup>2</sup> *Various meditation groups use the words "mind control" to describe meditation, contemplation, and self-hypnosis; all these are usually harmless if not beneficial practices. These techniques might more properly be called "mind self-control," for the individuals who use them seek control over their own minds and bodies to obtain desired effects. The mind control examined in this book is the control of one individual's mind by another, against the target's will and without their conscious knowledge.*

Development of mind control was accomplished largely through the efforts of individual psychologists, psychiatrists, and chemists, working in isolated conditions under government contract. Each researcher or research team was allowed to know only what he or she needed to know to accomplish his or her fragment of the research or testing. The contracts were let through a number of government and private agencies and foundations so that the researchers were, by and large, ignorant as to the intended use of their research.

While the CIA was a major funder of the mind-control research, virtually every major government agency became in some way knowingly or unwittingly involved. While I began my research believing that a "cult of intelligence" was behind the mind-control program, I found that there is, in fact, no single originating force, but several. The operation is too widespread and complex for it to be created by a "cult." If a cult there must be, then it is a cult within a cult, in an interlocking chain of invisible mini-governments with unwritten rules, unwritten plans, and unwritten loyalties. It is the plan of a secret bureaucracy – what I call a cryptocracy – which conspires against our laws and our freedoms.

"Cryptocracy" is a compound of *crypto*, meaning "secret", and *-cracy*, meaning "rule, government, governing body." The cryptocracy, then, is the secret government whose identity and whereabouts have slowly and reluctantly been hinted at by the Congress through its investigations into Watergate, the CIA, and the rest of the intelligence community.

(The word *cryptocracy* is conspicuously absent from all dictionaries, even to this day. I was told by one source within the cryptocracy that this word alone was reason enough to keep this book off the market, for if, whenever the word democracy is used, the word cryptocracy is placed against it, a powerful propaganda effect takes place. As if one word alone could awaken the U.S. citizenry to the fact that their democracy was overthrown by the National Security Act of 1947.)

While the CIA, near the top of the intelligence pyramid has been drawing most of the fire, the evidence of a cryptocracy clearly implicates the National Security Agency, the National Programs Office, the Defense Intelligence Agency and its subsidiaries in military intelligence, The Federal Bureau of Investigation as well as the Civil Service. The crypto-alliance has extended in an ever expanding network among private contractors and institutions and religious organizations. With the Central Intelligence in the vanguard, the cryptocracy is composed of persons operating within the office of Naval Intelligence, Army Intelligence, Air Force Intelligence, Department of Justice, Department of Health, Education and Welfare, Bureau of Prisons, Bureau of Narcotics, Atomic Energy Commission (Department of Energy), Veteran's Administration, General Services Administration, National Science Foundation, and even major American corporations, especially certain airlines, oil companies, and aerospace contractors.

The cryptocracy invades the privacy of citizens and corporations. It meddles, often violently, in the internal politics of foreign nations, and has hired, trained, and equipped mind-controlled assassins for the murder of heads of state. The cryptocracy may have been involved in attempts to control U.S. elections. It controls key figures in the U.S. and world press.

When CIA Director Robert M. Gates publicly promised "a greater openness and sense of public responsibility" at the intelligence agency in April of 1992, he was acting on the recommendations of a special task force that had studied ways to make the agency more visible, credible and responsive to the outside world. But when "Task Force Report on Greater CIA Openness" was submitted to Gates, it was stamped "Secret." CIA officials refused to disclose any of the report.

After receiving a public scolding at a House hearing, Gates approved the declassification of almost the entire report. Significantly, the report touted the accomplishments of the agency's existing "media program:"

PAO (the Public Affairs Office of the CIA) now has relationships with reporters from every major wire service, newspaper, news weekly and television network in the nation. This has helped us turn some 'intelligence failure' stories into 'intelligence success' stories, and it has contributed to the accuracy of countless others.

In many instances, we have persuaded reporters to postpone, change, hold or even scrap stories that could have adversely affected national security interests or jeopardized sources and methods.<sup>3</sup>

The story within the story, I discovered, is an astonishing one of a psychological war waged by this U.S. cryptocracy against the American people. The scientific reports and histories place the story in time, and at the government's door. However, the literature of the cryptocracy ignores the very real human factor. There is no written record of the mental anguish, the torture to the soul that comes from loss of memory and the resulting identity crisis. That mental anguish is the story of mind control.

The stories that follow are told by the failures of Operation Mind Control -- failures because the victims remember *something*; for where mind control is successful there is no memory left.

(Due to editorial considerations, many of the stories I uncovered have been left on the editing room floor. Each individual in this book stands for and tells the story of many victims of mind control. In many cases the individuals I interviewed believed their lives or sanity would be in danger if their names were made public. Others wanted their names mentioned. I have, for a variety of reasons, chosen to

---

<sup>3</sup> *Washington Post National Weekly*, May 3, 1992.

withhold real names and places whether requested or not. Except in these details, the first-person stories in this book are completely true, and in this edition I have risked committing the literary crime of redundancy so that the researcher can get a more well-rounded sense of the varieties of the mind control experience as described by several individuals. A video documentary is now in progress which shows many heartbreaking moments of abreaction from victims of mind control which could not be included in this book. )

One of the characters in *The Manchurian Candidate* described his recurring dream that resulted from the suppression of memory. "It's not so much that I can't sleep. It's more that I'd rather not sleep. I'm walking around punchy because I'm scared. I keep having the same nightmare..." The nightmare Condon's hero described was actually the memory of having killed on cue. On stage, before an audience of Communist mind controllers, he strangled one of his fellow soldiers with a scarf, and blew out another's brains with a high-powered pistol at point blank range. Several of the men I interviewed had dreams which could have been written by Condon.

Tex was an army sergeant stationed in the Mediterranean area. He came back from service with amnesia. But in his dreams a vivid scene was replayed again and again: "In the dream my buddy -- I know him real well, We've shared things together -- my buddy is taken with his hands behind his back. I'm standing in rank in a line of other soldiers and we are like a firing-squad. I keep thinking I won't shoot my friend, I'll turn the rifle on the commander. But we don't have rifles.

"My buddy is marched into an open area in front of us with his hands tied behind his back. He is blindfolded and some Ay-rab is talking to him or reading to him. Another Ay-rab comes up and hits him behind the knees with a rifle butt and he falls to a kneeling position. "Then, while he's on his knees, one of the Ay-rabs takes a big sword and cuts his head off. His neck squirts blood, but surprisingly little... his head rolls on the ground. His face has a peaceful expression. His body twitches and squirms like a chicken. That's when I always wake up..."

In their sleep, the memories of atrocities surface to vivid awareness among the victims of mind control. Night after night terrible images, suppressed by deeply conditioned responses, emerge as terrifying nightmares. Are they mythological? The stuff of dreams? Or are they recovered memories? Tex's dream is a mere fragment of many thousands of pages of such testimony.

## ONLY ONE MIND FOR MY COUNTRY

Through the gray waters of amnesia he drifted, coming back from blind coma. First the echoes, like electronically amplified voices speaking from a deep, deep well... then, far off, the dim pink molecules of light...

David's body lay still in the military hospital bed. Only his eyes rolled beneath the lids. For several hours he lay that way, perfectly still -- just eyes fluttering. The fluttering became more intense. Then his eyes opened.

"When I woke up," David said, "I couldn't remember anything. I couldn't remember how I'd gotten there or why I was in the hospital."

He asked nurses and aides why he was there. They told him he'd have to ask his doctor. When David finally saw him, the doctor said, "You tried to commit suicide."

That came as a great surprise to David. He didn't think he was the suicidal type. He asked the doctor *how* he'd tried to commit suicide.

"You took an overdose of Sleep-eze," the doctor told him.

David knew that Sleep-eze was a patent medicine, that it was related chemically to an antihistamine, and that it could produce drowsiness; but David also knew it was not nearly as dangerous as a prescription sleeping pill. Although he began to sense that something was fishy, he did not challenge the doctor, nor did he let on that he suspected the story to be untrue. For the next several days he simply lay in the hospital bed puzzling over the odd chain of events that had landed him there.

I interviewed David several times over a period of two years. Each interview produced additional information as David's memory returned in fragmented, isolated bursts. The following is taken from thousands of pages of transcript and has been edited so that the tedious process which uncovered David's memories is

absent. It is slightly misleading only in that David did not remember his story in one continuous sequence. Nor did the other victims quoted in this book.

David had joined the U.S. Air Force in 1969. During his high school years the draft had still been in effect, and after graduating on the honor roll, David decided to attend a small community college to get as much education as he could before his name was inevitably called by selective service.

As his induction date approached David realized he could obtain a deferral from the draft because of his high scholastic standing, but he decided instead to take a break from education and fulfill his military obligation as profitably as he could. Although he questioned America's reasons for fighting, he did feel that military service was his duty.

David had not been a part of the sixties "revolution." He had never smoked marijuana nor taken LSD, nor had he demonstrated against the war in Vietnam like so many of his friends. He was a studious, intelligent young man who was not inclined to rebellion. He was described by friends and family as one possessed of unusual common sense. In keeping with his cautious and practical nature he negotiated a "contract" for medical corps service with his local air force recruiter and enlisted for a four year tour of duty, thinking this would help him fulfill his ambition to become a doctor.

After an uneventful in-processing, David was sent to Lackland Air Force Base for the usual six weeks basic training, and then on to a technical school for another six weeks of special training. But when the time came for his job assignment, to his great disappointment, he was assigned to the supply corps rather than the medical corps.

He felt betrayed by the air force, and immediately after receiving his AFSC job assignment number, he retired to his barracks to rehearse a protest to his commanding officer. Moments later, a nonuniformed man entered the empty barracks and asked him to step outside and take a walk. David was puzzled but went along without comment.

When the two had reached a quiet spot on the base, the man told David that he guessed he was disappointed about receiving the AFSC of a "box pusher" in a supply warehouse. David was surprised by the man's knowledge of his situation. Before he could reply, the man told David that the AFSC was just a cover, that he had actually been chosen to work in a sensitive area of intelligence.

The assignment sounded glamorous to David, and lifted his sagging spirits. He immediately decided to go along with the change of plans and accept the special assignment without protest. The unidentified man told David to be patient, and to learn well the special techniques of computer programming he would be trained in while waiting for his security investigation to be completed.



Within a few weeks David was issued a top-secret crypto-security clearance and assigned to the air base at Minot, North Dakota. At Minot, he continued to feed supply numbers into a computer, developing his already excellent memory. He did his job well and soon he received a letter of commendation and was promoted to sergeant.

But for all his accomplishments, he had begun to grow restless. Although he knew his computer programming was just a cover for intelligence work, he was still not satisfied with air force life.

"I was beginning to not like the extreme regimentation and, I suppose, inside myself I was beginning to build up a resentment about being there.

"But after I woke up in the Hospital I was not resentful. I was passive. I lay there thinking, trying to recall the last memories I had before I woke up in that bed. I didn't remember anything. It was like I'd been asleep for my entire life up to that point. Like I was Rip Van Winkle.

"The memories of what had happened I did recover over a period of time. But they were fuzzy at first. It seemed like somebody was violating me -- raping my mind.

"I was strapped down in the bed. I was yelling and screaming about something. I'm not the type of person that cusses that much. I hardly ever use foul language, but I know that I said some pretty foul things to those men who were with me. They were officers, and in the service you can't call a superior officer an obscene name without getting punished. Yet I don't think I was ever reprimanded.

"One guy would ask me questions in an accusatory manner. Another guy would come over and say comforting things. The first guy would come back and accuse me again. Then the second guy would come and pat my arm and be friendly. I could remember their faces and their tone of voice, but I couldn't remember the content of what they were talking about."

David thought about his situation; suppose he had tried to commit suicide. He probably would be kicked out of the service. At best he might be given a medical discharge, so he began to prepare himself for that eventuality. He thought he wouldn't mind getting out of the service under any circumstances, even with a psychological discharge.

It didn't happen. Instead, David was visited by men in civilian clothes who told him that he'd been chosen for a special intelligence assignment. They said the details of his assignment could not be revealed until the proper time, and then he would not be allowed to talk to anyone about it. They said he would be receiving his orders soon.

"I had expected at least to have some stripes taken away for the suicide attempt," David said. "Instead, five different sets of orders came down. They were all typed military orders, regular orders, but they had me going to five different places at once. It was impossible.

"I took the orders to headquarters and told them that somebody had goofed. It was plain to see that somebody had screwed up. The way the military runs, it was not unusual. No one got excited about it. The guys in the office said that they would straighten it out.

"Then I was told that I had two weeks leave coming. They ordered me home to wait while they got my orders straightened out."

Happy to get a break after eighteen continuous months of military life without leave, David went home.

"I was hoping they'd forget all about me, I was praying that this time the computer would completely lose me."

The first evening at home something compelled David to break security. Alone with his mother, he told her that he knew he had not really attempted suicide.

"I suppose that my first duty was to my family, and my second duty was to my country. After I'd discharged my moral duty to my mother, I was free to obey my government's wish and not remember anything about it. That's probably how it worked, in spite of their programming."

After David had been at home for the full two weeks, and was just beginning to think that maybe the computer had lost him after all, a telegram came. There were no written orders, no official seals, just a Western Union telegram ordering him to report to a base in northern California and from there to embark to the Far East on overseas duty. There were numbers on the face of the telegram, but at the time David gave them no special notice. These numbers may have been an assignment authorization, for seldom are servicemen sent overseas on the strength of a telegram alone.

"When I got to the base in California, I showed them the telegram and the air police hustled me to another airplane and flew me to Guam."

On the plane to Guam, David ran into an airman he'd known at Minot. The airman's name was Max. Like David, Max had been attached to the supply wing at Minot, but he had been in a different type of supply operation.

In all the time they were together on Guam, David never learned the details of Max's assignment. Both of them were supposed to be supply men, but David

thought Max had some pretty unusual qualifications for a supply man: for instance, he held a fifth-degree black belt in karate.

"Max and I had checked into the barracks when we got there, but after preliminaries we were put on a bus and taken to an isolated place eight miles outside the base. There were six L-shaped barracks set up inside a high electrified fence with barbed wire at the top. Inside the compound there was a movie theater, a store, a barbershop, a chow hall, and a recreation center. There were several hundred guys living in that compound.

"We could leave anytime we wanted. All we had to do was show the proper credentials to the air police at the gate. The compound seemed to be regular air force. The place was called Marbo, and as far as I could tell, there were guys there who had all sorts of different functions in the air force, but nobody really discussed their jobs.

"Several of the guys at Marbo had been in the supply wing in North Dakota. But at Marbo they were working in other areas... In other words, guys who'd been in the supply wing in North Dakota were in the civil engineers or the air police. One air policeman on Guam, I remember, had been shoving around boxes just like other supply men when he was at Minot. Suddenly now he was an air policeman. I couldn't figure it out, and I wasn't about to ask questions.

"I guess we all assumed that we were all on special assignment, and I'm pretty sure that if I'd asked any one about it, they would have avoided an answer. I certainly would have, if somebody had asked me."

David made rank fast in the air force. He was a good airman, a good supply man. Yet anybody he talked to about supply duties didn't know what he was talking about. His duties weren't like the others.

"My air force file shows that the first three digits of my AFSC are 647. A 647 is some kind of a box pusher. Yet, I never pushed a box all the time I was in the air force."

After their tour of duty, Max and David returned home together on the same plane. At the airport Max was called over the intercom and went off to answer the page. Two air police returned for his luggage and David did not see Max until after he was separated from the service for some months. Then it was a strange meeting.

David was walking down the streets of Disneyland and his eye fell on Max walking toward him in the crowd. David was delighted to see his old buddy again, but Max was strangely distant. "He didn't seem very interested in our reunion." David said, "He shook hands with me, and I began to talk, but he seemed kind of passive. I wanted to sit down and tell all the things that had happened to me

since we last saw each other, but Max didn't want to talk. He cut me short, said good-bye and left.

"That's something that's always puzzled me. How can a guy who was your constant companion for so many months, a guy who has fought for you and gotten to know you inside and out, not want to talk to you? How could he have just brushed me off like that?"

"When I first got out of the service, all I could remember about my four years was that I'd had a lot of fun. I mean, all the pictures I have, and all the recollections I had, were of Max and Pat and I having fun, skin diving, laying on the beach, collecting shells, walking in the jungle. It never dawned on me until later that I must have done *something* while I was in the service."

Pat was a young woman from the Midwest who was assigned to serve as David's secretary. Almost instantly, when they met on Guam, they fell in love.

"Pat was something special. She was everything I would have ever dreamed of in a woman. I suppose she felt that I was everything that she wanted in a man. It didn't take long for us to go to bed after we met, and from then on, throughout my tour of duty Max, Pat, and I were inseparable."

David was not talking about a menage a trois. Max was not attracted to Pat nor she to him. They all held each other to be good friends, but David and Pat's feelings for each other were the strongest.

David now thinks it odd that the three of them got along so perfectly from the first moment they met. Max was David's kind of man, and Pat was David's kind of woman. In the years that have passed since he got out of the air force, David has come to believe that Max and Pat and he were matched up by a computer. "We hit it off from the start. We had the same interests, we were nervous about the same things, and we would laugh at the same kind of jokes. We were three individuals who were very close and where one lacked a quality another had something that filled that lack.

"The air force takes your psychological tests -- your cumes -- the cumulative progress reports which have been kept on just about every individual in the United States from the first grade through high school. These records have your IQ, your aptitude tests, and all the things they accumulate on you through your school years... they give them a complete examination to determine your psychological profile and everything about your likes and dislikes. They feed selected information, any information they are looking to match up, into a computer and run yours with other people's until they have a psychological match.

"In spy books I've read, undercover agents sent to foreign countries are usually teamed with a spy of the opposite sex. Even if two people are both married and have left families at home, the directors of intelligence usually send along someone who can take care of the natural human sexual needs of the other without risking a breach of security. That way, no horny agent is going to have to associate with a prostitute or someone who might turn out to be a double agent or counterspy.

"I'd talk with the other guys in the service and they'd talk about getting laid in Hong Kong or Japan or Korea. I didn't have to talk about anything. I didn't have to brag, I'd just smile at them, secure in my love for Pat."

David said that there were several other women in the barracks who, like Pat, were secretaries but had security clearance. And, as was the case with Pat, many of them also had close relationships with the men to whom they had been assigned.

Two months before their tour of duty was to expire David and Max were sent home. Pat stayed behind on Guam. But David and Pat arranged to meet once they were both out of the service. They exchanged home addresses, but somehow David lost hers and he is strangely unable to remember her last name or even the town from which she'd come. David never saw Pat again.

"Looking back on it, it looks like it was awfully convenient. Pat was a liberated woman, she knew exactly who she was. And that's just the kind of woman I like to have around. She fulfilled every need that I ever had, to such a degree that it's a problem now. I can't meet a girl that's as good as she was. When you've been in paradise, it's hard to find paradise again. You always want to go back.

"I think of her all the time, but I just can't remember her last name. It's a total blank. I just can't remember."

During the entire thirteen-hour flight home David had to debrief himself into a tape recorder while sitting between two air policemen. He doesn't remember what he talked about. No one was "questioning" him; he just talked.

Upon his return, he was assigned to a base in California. Immediately upon reporting for duty, he found that he no longer had a security clearance. His job was to answer telephones on the base and to listen to complaints. He'd take calls from the wives of air force personnel and relay their complaints to the proper channels. That's all he did during his entire last year of service.

"When it came time to get processed out, I wanted to get the medals I earned when I was stationed in Guam. They were actually theater ribbons. I had so

many ribbons when I left Guam that the officer I reported to told me not to wear them because I would attract attention to myself.

"During the out-processing they brought out my file. They do that regularly every year anyway. They show you your records and have you go over them and make sure that they're correct. Then you sign a paper that states the records have been approved by you. The last time I was shown my records, they'd been changed. Instead of all the typed, dog-eared reports that were in my file before, there was this clean computer print-out.

"I asked the officer in charge what had happened to the notices of my being awarded those theater ribbons. He told me that since I had such a high security clearance some of the things that were in my files made it necessary to expunge a lot of the information from the record. He said that there was a top-secret file on me which was available to people who had the right clearances. The file he had me approve was the one which would be shown to anyone who did not have the highest clearances. He said that because this was more or less a public record, it could not have anything on it of a sensitive nature. It was very misleading, that report. It looked like I had been a supply man, a box pusher, and I'd done nothing else, except try to attempt suicide. The phony hospital story was in the report -- so deniability was built in.

"Then I went through the normal out-processing and went home. All I can say is that everybody, my folks, my friends, everyone who'd known me before, noticed how changed I was. I was fearful and under tight control."

David decided that he would first reorient himself to the civilian pace of life and then look for a job. But when he began to look for employment, he suddenly realized that he had some deep psychological problems.

At his first job interview, he was routinely asked to fill out the company's job application form. He sat down at a desk and started writing. He wrote his name and noticed that his hands were sweating. As he began to enter his address his heart began pounding so loudly it was audible. He became short of breath and felt like the walls were closing in. He fought to remain calm, but within a few moments he snatched up the form and bolted out the door.

That evening he discussed the strange physical effects that had come over him with his parents. They assured him he was probably just very anxious about getting the job.

The next day he went on another interview. Again he was asked to fill out a job application. This time he got further in filling out the form: he put down his name... address... date of birth... Social Security number... health information... but when he came to the place in the form which required work information about the past four years, the pounding in his ears, the shortness of breath and

the terrifying feeling of being confined in a small space came over him again, and he left the building with the form wadded up in his hand.

Over the next few months David applied for many jobs. The results were always the same. He could not overcome the terror that gripped him whenever anyone asked him for information about how he had spent the last four years.

David's parents suggested that he try to get a job working with computers and take advantage of the training that the air force had given him. The mere mention of computers made him fly into a rage. "I still couldn't face whatever it was that was blocking me. To this day, I can't stand the thought of a computer. I'd like to smash them all up. I realize, of course, that is irrational."

David remained hopeful that whatever was causing his anxiety would pass with time. Meanwhile, he decided to go back to college. He had no trouble getting into a major university since his high school and community college grades were high, and no one asked him for details of his service years. But during his first semester he encountered the same blocks that had kept him from getting a job.

"In my psychology course you had to get up in front of a circle of people and talk. You had to bare your soul. I just couldn't do it. I couldn't stand up and be calm and let people question me. They were all harmless questions, but I'd get the pounding heart, the sweaty palms, the shortness of breath and the feeling of claustrophobia again. I'd just clam up and leave the room."

It was then that David understood that he could no longer face the problem by himself. He sought out a psychiatrist who'd been recommended by a friend.

"The first psychiatrist I went to was male. He had used hypnotherapy with me, and he found me to be a very easy subject. I'd go into a trance at the drop of a hat. But whenever he tried to regress me -- saying, 'I want you to go back' -- I'd just bring myself out of the trance, even if it was a deep trance. My heart would be pounding, my palms would be sweating, and I'd feel the same claustrophobia I'd felt whenever I'd confronted those application forms."

David found that he was much more relaxed with his second psychiatrist, a woman named Alice. Alice was also more successful with hypnotherapy. David would go into a trance quickly and deeply, yet whenever Alice tried to regress him to his air force period, he would bring himself out of the trance as he had done previously. But she found that by regressing David to his childhood and approaching the air force period from earlier years, remembering was less difficult for him.

"At first she tried to have me relax. She talked in a very soothing voice, telling me to close my eyes. I felt like I was surrendering to her. It was easy to get me into a light trance. I laid down my defenses and was going deeper and deeper, but as

soon as she said, 'Now we're going to go back,' I sat straight up and was wide awake.

"Alice couldn't get over how fast I went under. One time, she said, she was just talking to me and her voice put me completely under when she wasn't even trying. I was highly suggestible.

"But whenever she'd say, 'Let's go back,' all the muscles in my neck would strain, and I would grip the arms of the chair until my knuckles turned white. Once I was holding a piece of paper in my hand, and when I came out of hypnosis, the paper was completely soaked with sweat. Only a minute after she'd said, 'We're going to go back,' I was wide awake.

"Alice never did succeed completely with hypnosis, but something must have been released because of her attempts. As soon as we were able to go back to the usual talking technique of psychotherapy, I started talking about my childhood. I'd never thought that much about it, I guess, but I couldn't remember much of my childhood. For instance, my grandfather had died when I was fourteen and he had lived with us. Everyone says he and I were very close, But I had no mental picture of him at all. That's when Alice started trying to get me to remember my childhood. I don't know if I remembered my childhood before I went into the service or not. It seems like I did, because it wasn't a problem, but to this day, still, I can't remember much, and everything before the age of ten is completely blank.

"Alice and I kept working. At first, the memories we recovered were all painful memories. Alice thought that this was most unusual. Usually people remember the pleasurable things first. Then she tried to get me to remember only painful experiences. And once I'd remembered a lot she started trying to get me to remember the pleasurable ones."

David and Alice continued to work with standard psychiatric techniques and with hypnosis. Finally, after sixteen months of three sessions a week, Alice asked David to make a choice.

"We probably can penetrate the blocks around your air force years and find out how they were planted and why, but it may take a long time. On the other hand, we can work on every other area and get you to function normally without anxiety reactions whenever anyone asks you about those years," Alice said. "Now you have to decide if you just want to function normally, or if you want to unravel the whole mystery and find out who did it, why it was done, and what they have hidden from your own mind."

Since the therapy had nearly depleted his family's savings, David knew what the answer must be. He told Alice he would be content to just function normally. After two more months of treatment, Alice and David had their last session.



"After two hundred and six therapy sessions, Alice and I had one eight-hour session which more or less recapped all the information we had collected. She told me that when I first came in I'd talked in a monotone. I was very, very, controlled, I showed no emotions and had no inflection in my speech. I'd talked to her for the first three months that way. She said there was a wall that she couldn't break down... Alice recommended that I continue working on my own by going to group therapy.

"I went to a couple of sessions, but when I got in front of a group I became fearful again. It was more than just stage fright, it was a horrible feeling. I still have it when I get up in front of a group to be asked questions.

"Alice did not figure out what this was about. I am now beginning to, but figuring something out is one thing, and actually overcoming it is another."

Alice's expert guidance and her deft use of hypnotherapy were helpful. While he did not recover his memory at once, in time David began to remember isolated events. He is now able to reconstruct a picture of at least some of the things he did while in hypno-service to his country.

"One day I had a vivid dream. Then it was like, little by little, memory cells exploding in my brain. I began to remember certain incidents. At first I didn't know if these were real memories or just dreams. Today, I still don't know if they are accurate or not, but they are so real in all their details that I believe they are the truth. Naturally when you've had amnesia you're not really going to trust your memories at first, but if the memories settle in -- if you can recall more and more detail about an event -- you know that you are recalling a true event.

"The most vivid memory I have is about Vietnam. I was standing at a long table on a beach. There were North Vietnamese soldiers sitting on one side and American officers sitting on the other. Everyone was in uniform. Our men were from the air force, navy, and marines. The marines had sidearms, and no one else had a weapon.

"What horrified me was that out in the harbor, off shore at some distance from the beach, was one of our battleships, and another battleship or gunboat. I guess that it was Vietnamese or Russian, but I'm not expert at naval craft identification. All I know is I was terrified because the big guns on the ships were trained, not on each other, but on us... I guess they were prepared to blow us all up should anything go wrong on the beach, or should there be a double cross.

"We had our interpreters, who were air force men. They did the translating and our officers waited for the translations. The discussion was very heated, but for some reason I remember vividly, nothing was being written down. That may have been the reason that I was standing there at one end of the table. I

remember that they had been trying somewhere along the line, to get me to have total recall. I can't remember the details, or the progression of events.

"I know that I had memory training. At Marbo, for some reason, I'd get up three hours earlier than anyone else and report to somewhere I can't remember and then go to work at eight-thirty. I remember riding the bus from Marbo to the base on Guam, and I was the only one on the bus. But I can't remember where I went before I reported for regular duty.

"I suspect that the computer work was part of the memory training, but I can't say that's exactly what it was. There must have been more to it. I just don't remember the details. But I have the impression that I was used as a human tape recorder.

"I do know one thing about that beach scene. When I came back from overseas, only three days after I came back it was announced that the North Vietnamese were going to give our prisoners of war back in an exchange. The meeting on the beach might have been an early parley about ending the war and exchanging prisoners. At least that's what strikes me as the best answer to the question of what that meeting was about.

"I might have been a witness. I really don't understand why – or why the gunboats were pointing at us. I can't remember the date, or anything that places that memory in time.

"The thing that really bothers me about this whole thing is that I can sit here and talk to you, but I still can't sit down and say, 'Okay, I joined the service on such and such a day and this is what happened to me during a four-year period in chronological order.' Ever since I got out of the service I haven't been able to give a day-by-day account of what happened to me during those four years.

"Some but it don't wa

"I th help them ar's Read and i. Mar Vista His West LA am offering on-one with and writing in Mar Vista 224-8510 amez.org

Chapin: Last Home Clean @ 10:30 AM 016

United

**Support Group**

The Alexandria House, A House of Hospitality and a Neighborhood Center, conducts regular Thursday night sessions where women can talk over self-esteem, family issues and personal goals. 6:30-8:30 PM, Alexandria House, 435 S. Alexander Ave., LA. (213) 381-2649

**Political Meeting: LA Coalition in Solidarity with Cuba**

Regular meetings every other Wednesday, 7 PM, Peace Center, 8124 W. Third St., LA. (213) 383-9383

**Political Meeting: Three Strikes**

Families to Arrest California's Three Strikes (FACTS) meet every Monday. Help them arrest Three Strikes in LA. (213) 745-4844

**Discussion: Anti-Hierarchical Reading Group**

A reading group that concentrates on fun discussions of literature, film, etc. which challenge any form of hierarchy (political, racial, gender, sexual, economic, environmental, religious, etc.) Regular meetings Sunday nights, 7:30 PM, Los Feliz/Hollywood area. <antiheroesdmy@yahoo.com>

**Community Event: Raw Power**

A weekly celebration for the aware and conscious with music, positive energy, organic "Raw Power" drinks, dance, performance art and good people. \$12 includes the Raw Power drink. Every Saturday, 7:30-11:00 PM, 1101 Abbott Kinney, Venice. (310) 822-6064

"...tentious Minds"

**Annou... led it that, Buy or Skills ig brutal. I**

FREE F... membership... a 10% discount... information... <www.gec...>

**Volunte... it. I only have out my folder**

Human E... insurance... He's a nut.

**Comm... Site**

The I... site which... effort... is a perfect cover.

**Class... it didn't work**

The Lon... this fell... id after a lot of

**Film...**

A call b... should... bisexu

psychiatric help, which I paid for myself, made the experiment, if it was one, a failure to me.

"I never thought about laying down my life, but maybe I laid down a lot more than my life in service to my country. My soul?"

[Sixteen years later David is still sleeping only two hours a night. He is still having nightmares, hearing voices and seeing shadows. Otherwise he functions normally. Yet, many of his symptoms are identical with the symptoms of those psychiatrists call people with Dissociative Identity Disorder.

I hadn't talked to David in, what, ten years? And now that I'd learned so much more about the survivors of Operation Mind Control, I thought I'd check in to see how he was doing. I found him fascinated with tattoos.

"Every time I see a tattoo anywhere, on anyone, I'm drawn to it," David said. "I've got to look at it. I want to find out if it's a butterfly, a rose or a..." and in 1994 we said the word together "...bluebird."

documentary about the rough side of Baltimore's drug crime in "Blue Collar" and Marjorie Chodrow's portrait of LA own El Ver Robert Lopez in "El Rey De Rock N' Roll". 7 PM. Midnight Special Bookstore, 1318 Third Street Promenade, Santa Monica. (310) 393-2923 or (310) 506-7330.

**Up Coming:**

**April 3**  
**Talk: "Operation Mind Control"**  
 Walter Bowen author of "Operation Mind Control" talks about his long term meticulous research on the secret government's war against its own people through such programs as MKULTRA. Produced by Gerry Flahe and MESS. (Media Ecology SuperSessions) 7:30 PM. Midnight Special Bookstore, 1318 Third Street Promenade, Santa Monica. (310) 393-2923.

**April 7**  
**Political Action: Zapata Rally**  
 The annual March and Rally to commemorate the life and struggle of Emiliano Zapata and support the on-going popular struggle in Mexico. March starts at Five Points (Cesar Chavez and Indiana) and ends at the Statute of Emiliano Zapata in Lincoln Park (Mission and Main Streets). (213) 481-8265.

**April 7**  
**Political Meeting: Ethical Culture Society**  
 Regular Sunday meeting of the Ethical Society and Humanist Association. Call for topic. 2 PM. Santa Monica Library 1243 Sixth St., Santa Monica. (310) 393-2923.

**March Plays:**  
 "One Lit ll breast can... surreal, so Laura Bos and Sarah Theatre, 2 3363.

**March Discuss**  
 A readers meetings 1 PM. 4254

**Plays:**  
 A Green M two venues Pico and B at 7 PM at (323) 653-4

**Volunte**



An early U. S. Army test of hypnosis circa 1940. The enlisted man is being guided in a "test" of his trance state. From the physiology of the enlisted man, it would appear that a deeply dissociated state has been achieved. Some experts who have viewed this photo suggest the subject is under the influence of "narco-hypnosis" which was the focus of a lot of the experimentation in the early mind control experiments.

## THE MIND LAUNDRY MYTH

**D**avid's own assessment of his mental confusion after his air force experience was that he had not been "brainwashed." By the time David had his mind controlled, "brainwashing" had become a catchall phrase, but what David had suffered was a much more subtle and hideous form of tyranny.

George E. Smith was a POW during the early days of the Vietnam War. Unlike David, George did not have a good education. It can even be said that he was a little naive, and therefore a good candidate for brainwashing of both the American and the NLF (Viet Cong) varieties. He was one of the first of the Green Berets captured in the Vietnam conflict in 1963.

It was the practice of the U.S. Army in those days to indoctrinate its men with poorly constructed lies, which, it was hoped, motivated them to fight a war in which the U.S. had only dubious legal business and little moral argument. The "credibility gap" existed not only within the confines of the U.S. borders, but also in the far-flung fields of battle, all the way to Southeast Asia.

If brainwashing is making a person believe in lies, then our troops were already brainwashed by their own government. It was a simple job for the Viet Cong to gain the POWs' cooperation by telling them the truth -- truth which was easily documented.

Smith described the attitude which was instilled in the American soldiers by their military indoctrination: "We were arrogant... the army is a separate society; it has its own hierarchy, and I could rise to a stratum in the army that I couldn't attain in the outside world. They'd driven arrogance into us in the Airborne, which is a high level in the army, but Special Forces was the highest level you could reach, the elite of the elite. Elitism was the philosophy they taught at Bragg: 'You are professors of warfare, you shouldn't fight unless attacked. It costs thousands of dollars to train one of you and you're too valuable to send into battle.'

"I believed it. I believed every thing the army said. I never questioned anything they told me until I got to Vietnam, and then things didn't quite fit anymore."

Smith and three other men were captured in a midnight raid which followed a heavy mortar bombardment of their location. The Viet Cong took them deep into the jungles. When they reached the VC compound they were forced to build their own prison out of bamboo. Then, after the primitive compound was completed and the POWs had settled in, the interrogations began.

These were nothing like Smith had been led to expect. They were "friendly chats" with an interpreter Smith called the "Man with Glasses." Every day he would tell his prisoners about the history of Vietnam and the U.S. role in that country. "It was right out of the movies," Smith said. "The prisoner was confronted by his interrogators, who were sitting on a higher level and making him look up to them.

"Look at you," Man with Glasses began. "You are pitiful." It was a typical brainwashing tactic, designed to make the prisoner think poorly of himself, to undermine his self-image. Sergeant Smith, like many others, already had a poor self-image long before he was captured, even before he enlisted in the army. That image wasn't enhanced any by finding that the authorities to whom he had been so obedient had misinformed him.

"We had known interrogation was inevitable and had feared it for so long, but it didn't go the way it was supposed to," Smith said. "The guards were off somewhere out of sight. No one shone lights in our eyes. In fact, I sat in the shade while prevaricator (one of the interrogators) served me tea and candy and cigarettes.

"Man with Glasses did most of the talking, though he encouraged me to say anything I wanted to. He insisted on giving me their side of the story -- why they were there in the jungle and why the NLF had gotten together and was fighting the U.S. and the Saigon regime. 'We are fighting for Vietnam. We do not try to take over your country. This is not in our plans. We are worried about our country. We love it very much. We are proud people, and we want to keep our country.' Didn't I know I was wrong to be part of the United States effort in Vietnam? And if I did, would I write a statement saying so? He talked to me for about an hour, and at the end of the session he gave me a pack of the Cambodian cigarettes. 'For your enjoyment. Take them with you. When you are resting and smoking, I would like you to think deeply of what we have discussed.'

"If sitting in the shade drinking tea while I listened to this old guy talk was brainwashing, then it didn't fit any description I had ever heard. I recalled the stories I'd heard about Korea -- the scene where they hypnotize you, or drop water on your head, or put you in complete stillness -- something that will drive

you out of your mind. Then once they've taken everything from your mind they start over again. When somebody says 'brainwashing,' this is what I consider they're talking about -- the classic Korean example. Or the stories that came out of there anyway."<sup>4</sup>

The word "brainwashing" summoned a terrifying image, but like so many other words it became corrupt in usage. It was applied to describe situations in which mere propaganda or influence were used. Indeed, the word may have been corrupt from the very beginning when it was coined by a CIA propaganda specialist, Edward Hunter. In his book *Brainwashing in Red China* he claimed that "Brainwashing, with the even more sinister brain changing in reverse, is the terrifying new Communist strategy to conquer the free world by destroying its mind."<sup>5</sup>

In the words of the noted Yale psychiatry professor Robert J. Lifton, brainwashing was popularly held to be an "all-powerful, irresistible, unfathomable, and magical method of achieving total control over the human mind."<sup>6</sup> It was in fact none of these things. Techniques which seemed to change the beliefs of American POWs and others behind the Iron Curtain employed no hypnosis, no drugs, no new methods for the control of the mind and certainly nothing magical.

Hunter revised *Brainwashing in Red China* and reissued it in 1971. In the introduction of the updated edition he continued his attack on the Communists, much as he did in his psychological-warfare journal *Tactics*.

"Change the word China to Cuba, and this book is a description of communist warfare against the mind -- brainwashing -- in Cuba, as well as in China. This is the world pattern the Communists employ; what might, in military parlance, be called mind attack. It is the new dimension in warfare, added to artillery attack, naval attack, rear and frontal attack, air attack. Brainwashing's dual processes of softening up and indoctrination have been added to the arsenal of warfare, girding the Trojan Horse in twentieth century accoutrements." Though Hunter may have been correct about the Communist use of coercive psychological techniques on its own populations, he never once hinted that the U.S. government might just be establishing practices employing similar techniques of its own.

In 1958, in his testimony before the House Committee on Un-American Activities (HUAC) he continued to present brainwashing as a communist weapon: "Since man began, he has tried to influence other men or women to his way of thinking. There have always been these forms of pressure to change attitudes. We discovered in the past thirty years, a technique to influence, by clinical, hospital procedures, the thinking processes of human beings... Brainwashing is formed out of a set of different elements... hunger, fatigue, tenseness, threats, violence,

---

<sup>4</sup> George E. Smith, *P.O.W.* (Berkeley, Ramparts Press, 1971)

<sup>5</sup> Edward Hunter, *Brainwashing in Red China*, 3rd ed. (New York, Vanguard, 1971)

<sup>6</sup> Robert Jay Lifton, *Thought Reform and the Psychology of Totalism* (New York, Norton, 1961)

and in more intense cases where the Reds have specialists available on their brainwashing panels, drugs and hypnotism. No one of these elements alone can be regarded as brainwashing, any more than an apple can be called apple pie. Other ingredients have to be added, and a cooking process gone through. So it is in brainwashing with indoctrination or atrocities, or any other single ingredient.

Given the anti-Communist climate of the Cold War years, Hunter's zeal did not seem excessive, even though few of his conclusions were supported by the eyewitness accounts given by the repatriated POWs. According to them, no drugs or hypnosis were used overseas; they told only of persuasion techniques.

Hunter's *Brainwashing in Red China* was widely quoted. Through front page news stories, the American public became aware, for the first time, that governments (though only Communist ones were mentioned) could control people's thoughts and motivate them against their will and without their knowledge.

Two years later, in May of 1960, Francis Gary Powers was shot down over the Soviet Union and cries of brainwashing again made U.S. headlines. At his public trial in Moscow, Powers apologized to the Russian people for doing them wrong. Even though the CIA had told him that if caught, he could admit everything, the voices of the "soldiers" within the U.S. were quick to brand him a traitor, and those who were inclined to be more sympathetic said he had simply been "brainwashed."

One psychiatrist, William Jennings Bryan, who had been the head of an air force medical survival training program which employed hypnosis to prepare pilots for resistance to brainwashing, went so far as to coin a term for the subtle new technique which he thought the Soviets had developed since the Korean conflict and had used on Powers. The U-2 pilot, Bryan said, had been "Powerized."

Bryan said that Powers' apologetic manner during the Moscow trial, his submissive, almost crippled words of testimony, his trancelike acceptance, all showed an amazing personality change since his capture.

"The pilot's apparent lack of real emotion during the Moscow trial was the most startling evidence that the Russian brainwashing through hypnosis has destroyed the normal, aggressive confidence and the cockiness characteristic of the air force fliers... The big tip-off came," Dr. Bryan said, "when Powers apologized for his American assignment, testified he knew he was wrong and said he felt no ill will toward his country's Cold War enemy.

"It is no longer a secret that Russia uses hypnosis as a powerful instrument to destroy the resistance of individuals she wishes to conquer," he said.

"Brainwashing hypnosis as apparently used on Powers is vastly different from the permissive type of medical hypnosis... and the self-hypnosis used by air force fliers



in caring for themselves after a crash... Powers exhibited no telltale marks of physical abuse or torture during the Moscow trial, and indeed, he may have even thought himself that he was being treated rather well, but his manner and personality were obviously so unlike the typical American pilot that only a brand new type of other powerful technique could have changed his personality in so short a time."<sup>7</sup>

Francis Gary Powers was returned to the U.S. in 1962 in a trade for Russian spy Rudolf Abel. He wrote in his book *Operation Overflight* (which was withheld from publication by the CIA until 1970) that the tactic he decided upon when captured was in accordance with his CIA instructions. He said, "When questioned, I would tell the truth."

Powers insisted that he did not tell the Russians anything which he thought they did not already know. In fact he often agreed to things they suggested simply to mislead them.

As for sophisticated, "Powerizing" techniques, Powers denied their existence. He even went so far as to suggest that the Russians were actually highly overrated in their intelligence-gathering methods.

"From what I had been taught about brainwashing, I had anticipated certain things: I would be lectured about communism, given only propaganda to read. Food would be doled out on a reward-punishment basis; if I cooperated, I would be fed; if I didn't, I wouldn't. Interrogation would be at odd hours, under bright lights. No sooner would I fall asleep than I would be awakened, and it would start all over again, until eventually I lost all track of time, place, identity. And I would be tortured and beaten until, finally, I would beg for the privilege of being allowed to confess to any crime they desired. None of this happened."

Immediately after Powers crossed the bridge from East Berlin he was examined by a West German flight surgeon under orders from the CIA. The surgeon took blood from his arm. Powers says the doctor told him "the blood samples were necessary to determine whether I had been drugged. This seemed to be the first question of almost everyone to whom I talked: Had I been drugged? They seemed almost disappointed when I told them I hadn't."

Powers was then flown to the U.S. "I still couldn't comprehend that after twenty-one months of captivity I was once again a free man," he said, "which was perhaps best, for though I was yet to realize it, I wasn't quite free, not yet. In a sense, I had been released by the Russians to become a de facto prisoner of the CIA."

---

<sup>7</sup> William J. Bryan III, *City News Service*, (a suspected CIA asset) September, 1960.

The CIA men told Powers they would like to talk to him for a couple of days. The "couple of days" turned out to be over three weeks, in which Powers was thoroughly debriefed by a team of intelligence analysts and psychiatrists. The first question the psychiatrists asked was, again, had he been drugged by the Soviets? The second question they asked was, had he been brainwashed? When Powers answered "no" to both questions he was given tranquilizers, which were the first drugs he had received since his U-2 left Turkey for the overflight of the USSR. Powers noted with some irony, that "Americans are much more disposed to the use of drugs than are the Soviets."<sup>8</sup>

Perhaps even more Ironic was the public disclaimer issued by CIA Director Allen Dulles, which said the U.S. had no use for brainwashing: "What had popularly become known as 'brainwashing,' while of great psychological interest to the West, as it is important to study defensive techniques, is never practiced by us... for the simple reason that we are not interested in converting people to our way of thinking either forcibly or by trickery, which is its main intent. We have never felt, as obviously the Soviets and the Red Chinese and the North Koreans have, that there is much to gain in putting a brainwashed person on the air to denounce his own countrymen. We have enough people who come over to us voluntarily from communism and who need no prompting."<sup>9</sup> Dulles, it seemed, was either a reader of Hunter's or they both had been briefed by the same propaganda section of the CIA.

Brainwashing was the term the psychological warfare unit of the CIA thought up to explain why American POWs cooperated with the enemy in Korea. Brainwashing was explained as severe deprivation of food, clothing, and shelter, during which time a series of punishments and rewards were applied so effectively that a person's fundamental beliefs could be made to change 180 degrees from their original position. This brutal technique was not called torture; there was no propaganda value in something as old as torture.

The CIA thought up the term "brainwashing" to lead people in the Western world to believe that the inscrutable Orientals had again, like Fu Manchu, invented a revolutionary technique controlling the human mind. The word "brainwashing" and the official government explanation of what happened to the Korean POWs was propaganda. It was aimed at fueling a home-grown fear of the Communists upon which the Cold War so greatly depended. Propaganda, of course, was nothing more than artful deception; the careful planting of "misinformation" and "disinformation," Cold War euphemisms for what had been called "the big Lie" in World War II.

Modern propaganda began when Nazi Germany perfected the art of "the big lie." The Soviet Union and other Communist countries took the methods of the Nazis

---

<sup>8</sup> Francis Gary Powers, *Operation Overflight* (New York, Holt, 1970)  
<sup>9</sup> Allen Dulles, *The Craft of Intelligence* (New York, Harper, 1963)

and improved upon them. The United States did not actively engage in wide-scale propaganda until World War II, when the OSS and the Office of War Information started. But then it was well understood that the guiding principles of propaganda were: "When there is no compelling reason to suppress a fact, tell it... Aside from considerations of military security, the only reason to suppress a piece of news is if it is unbelievable... When the listener catches you in a lie, your power diminishes... For this reason, never tell a lie which can be discovered."

As far back as 1940, American propaganda services had orders to tell the truth. It was a sound premise for effective propaganda, but it was a premise which was ignored by the succeeding generations of Cold Warriors.

Somewhere along the line the CIA's Covert Action Staff lost sight of the value of using the truth as the main weapon. Taking over from OSS, they soon became experts in "the big lie."

This policy surfaced to the attention of the American people during isolated events such as the U-2 incident and the Bay of Pigs invasion of Cuba when Presidents Eisenhower and Kennedy took the blame for what were obviously CIA lies. In the light of recent history it would appear that these chiefs of state were somehow convinced that it was better to issue a false confession that they had lied to the nation than to admit that they had been lied to by their own intelligence agency.

In the years since the founding of the National Security Act in 1947 there were hundreds of such lies and false denials and domestic propaganda campaigns which did not immediately gain public attention.

Since the administration of Lyndon Johnson, the executive branch of government seemed to be following Machiavelli's advice: "If you don't get caught, it can't be wrong." The executive privilege, the legacy of the National Security Act -- the art of falsehood -- lies have left our history strewn with the rubble of uncovered cover-ups and stonewalls. The administrations of Nixon, Reagan and Bush lied, not because they were misled by the cryptocracy -- but because they were part of it. If they hadn't been, they probably wouldn't have been elected.

Few seemed to notice that George Bush was an intelligence agent before he was appointed Director of the CIA. That was before he was elected Vice President of the United States, during which time his hand articulated a mentally impaired puppet, a movie actor playing President, to succeed him after eight years. Through Bush the cryptocracy had its hands directly on the helm of state for twelve highly visible years.

Brainwashing, as planted in the press, was one little propaganda weapon in a vast arsenal. But it was a weapon that was supposed to be effective against communism, cropping up in news accounts whenever it was needed -- whenever

the Cold Warriors' domestic covert action arm thought that the public was going "soft on Communism."

Albert K. Biderman, a senior research associate of the Rand Corporation's subcontractor, the Bureau of Social Science Research, conducted a study of the news items published about our POWs in Korea. Biderman's analysis confirmed that this kind of propaganda was "successively dominant in the press during and after the Korean War. During the war, Propaganda focused on prisoner atrocities; when the war had ended, the focus shifted to stories involving the brainwashing of POWs."<sup>10</sup>

"Beginning with exchanges of prisoners," he wrote, "prisoner misconduct received gradually increased attention until, several months after the war, it came to overshadow the other themes."

Throughout the Korean conflict, propaganda and counter-propaganda campaigns on both sides grew in intensity until eventually POWs became the most critical issue of the war, the "stumbling block" in the drawn-out truce talks that delayed the war's termination.

In 1953 some 4000 surviving American POWs became the subjects of another type of propaganda -- propaganda by Americans, about Americans, directed at Americans. According to Biderman, "The theme of this propaganda was that there had been wholesale collaboration by the American prisoners with their Communist captors and that this unprecedented misbehavior revealed alarming new weaknesses in our national character. This post-truce propaganda... was an outgrowth of propaganda activities during the war."

Desperately trying to believe that U.S. propaganda was motivated by good intentions, Biderman suggested that the "brainwashing theme" was pushed at home because the Cold Warriors were "apparently worried that a number of American prisoners would return espousing the Communist view." Biderman noted that "the Defense and State Departments and the Central Intelligence Agency issued a stream of press releases during the days prior to the first prisoner exchanges in Korea to prepare the public for the shock of finding that many of the POWs had been brainwashed. The theme of these releases was that evidence of Communist indoctrination or pro-Communist statements by Americans when they were released would be discounted because the prisoners would have been subjected to the well-known tortures that Communists used to brainwash their opponents."

And just what were these "well-known tortures"? the general principles of the Chinese brainwashing techniques were repetition, pacing of demands, the forced participation in classes of prisoners, propaganda which would insert Communist

---

<sup>10</sup> Albert Biderman and Herbert Zimmer, eds., *The Manipulation of Human Behavior* (New York, Macmillan, 1961)

ideas into familiar and meaningful contexts, punishment, threats, rewards, suggestion, pleas for peace, manipulative tricks, and deprivation of all but the minimum necessities of life. There was little that was new or innovative about the techniques used by the Chinese. They did not use drugs or hypnosis, nor did they invent any mysterious new devices for breaking the mind and will of a man.

Actually the Chinese controlled information in their POW camps just as they controlled the mass media in their own country. The system they used in the camps -- propagandizing through lectures, movies, reading, and testimonials -- was based on the same system used on the Chinese population and is not without parallel in Western education and advertising practices.

Nor are the punishment-and-reward techniques used by the Chinese in their interrogations exclusively Oriental. These same practices are employed by Western intelligence agents, police, and more subtly by reporters trying to elicit information from a hostile subject. Confession and self-criticism have been used in religious movements as a basis of conversion, or as a way of perpetuating the faith, from time immemorial.

Dr. Edgar H. Schein of the Massachusetts Institute of Technology was one of many persons who contributed to the army study of the returned POWs. Of the central reason behind the brainwashing propaganda which the army study disclosed, he wrote "When things go wrong, it is far less ego-deflating to say that we have been brainwashed than to recognize our own inadequacy in coping with our problems. A crucial question, however, is whether such changes in our society and such preoccupations represent weaknesses and signal the deterioration of some of our highly valued institutions, or whether they are merely the symptoms of the changing world..."

Is this then to be a continuing trend in the so-called free world?

"...Are we becoming mentally apathetic and hence more prone to totalitarian solutions," Schein continues, "or are we finding new ways in which to relate ourselves to our international and internal problems? Many observers of the contemporary scene, among them the novelist and philosopher Aldous Huxley, and Joost Meerloo, a psychoanalyst, feel strongly that we are headed squarely in the *wrong* direction -- that *the combination of certain social forces and the weapons against the mind now available will inevitably lead to the destruction of the democratic way of life and the freedom of mind which goes with it, unless we recognize clearly what is happening and put counter-forces into operation.*" [Empasis added.]<sup>11</sup>

In succeeding years, talk of "brainwashing" continued. Usually it was heard that the Communists had "brainwashed" somebody, but on April 7, 1967, presidential

---

<sup>11</sup> Edgar Schein, *Journal of World Politics*, April 1959.

hopeful Governor George Romney turned that around. Romney, who had gone to Vietnam believing in the rightness of the U.S. involvement there, came home saying that he had suffered "the greatest brainwashing that anyone can get when you go over to Vietnam, not only by the generals, but also by the diplomatic corps over there, and they do a very thorough job."

Nine governors who had accompanied Romney on the tour disagreed with him. Governor Philip H. Hoff said that Romney's brainwashing statement "tends to be almost incredible." Finding he had no support among his colleagues, Romney quickly told reporters that he had not been talking about "Russian type brainwashing, but LBJ type brainwashing." He said he meant the same thing the press meant "when you write about the credibility gap, snow job, and manipulation of the news."

*Webster's Third New International Dictionary* gives the second meaning of brainwashing as "persuasion by propaganda or salesmanship," but the press and Public thought that Romney had meant the word in its first sense: "A forcible indoctrination to induce someone to give up basic political, social, or religious beliefs and attitudes and to accept contrasting regimented ideas."

And the public let it be known that it would not vote for a brainwashed presidential candidate. Romney's popularity fell so dramatically in the polls that he eventually dropped out of the race for the presidency. The word "brainwashing" proved to be more charged with emotions that anyone had supposed.

In one of the first mass market books published on the subject following the army's release of the study of the Korean POWs, Eugene Kinkead wrote, "Unfortunately, the distinction between brainwashing and indoctrination is far from clear to the average American. The army defines indoctrination as an effort to change a man's viewpoint while he is still a thinking individual by regulating his thoughts and actions. This falls far short of the effect produced upon some defendants seen in Communist courts, defendants who had obviously been completely broken, and had ceased to be thinking individuals. I am afraid that the general conception has been that Communist techniques of manipulating human beings are so persuasive, so completely irresistible that no prisoner can keep his integrity in the face of them -- and, by analogy, that no people, including ours, can stand against such an enemy. This is what distresses me so much about the popular and improper use of a word like 'brainwashing' ..."12

Perhaps. But by 1967, when George Romney claimed he had been brainwashed, our own government was already far beyond what Kinkead referred to as "brainwashing." The United States government did not have to stoop to the slow and exhausting process the Chinese and Russians used. In the age of electronic

---

<sup>12</sup> Eugene Kinkead, *In Every War but One* (New York: Norton, 1959)

brain stimulation, neuro-psychopharmacology, and advanced methods of behavior modification and hypnosis, the government certainly didn't have to resort to methods as unsophisticated as brainwashing.

The techniques of mind control developed, even by 1967, were making brainwashing seem like the metaphor it was: a washboard and scrub-bucket technique which had little use in a world where the sonic cleaner, with high-frequency sound, higher than the human ear can hear, vibrates the dirt from the very molecules of matter -- or the mind.

Brainwashing was largely a campaign waged in the United States home press. It served as a sharp-edged propaganda weapon and was aimed at the American people to add to the already considerable fear of the Communists. It also covered official United States embarrassment over a seeming rash of defections and collaborations with the enemy, and perhaps most important, offered moral justification for immoral and illegal experiments to scientists working under government contract. They were urged as a matter of patriotism to "beat the Communists in the mind-control race."

It is doubtful that all of the "collaborators" in the Korean conflict succumbed to brainwashing. The eyewitness testimony of air force Col. Laird Gutteresen, one of the few heroes of the Vietnam conflict, and a real hero of the mind-control war, would suggest that they didn't.

Gutteresen had been in charge of the air force seminar on Korean brainwashing at Maxwell Air Force Base. An expert hypnotist, he later used self-hypnosis to block pain and keep himself alive in a North Vietnamese POW camp where he spent more than twenty-seven months in solitary confinement. He took the time during his campaign for the U.S. Congress to offer me his views on brainwashing and mind control.

As early as 1956 Colonel Gutteresen realized that what was called brainwashing was nothing more than psychological indoctrination. "Controlling the mind is one thing," he told me, "but remember, this does not occur with psychological indoctrination. Nor does it occur, normally, with hypnosis. The concept of complete and total mind control was projected by the brainwashing myth, and it was the theme of the book *The Manchurian Candidate*; but mind control is not what happened to the Korean or Vietnamese POWs. What the Chinese, the Russians, the Vietnamese did was mind influence, not mind control."

Gutteresen said that while it was generally believed that brainwashing was the result of drugs and hypnosis, to his firsthand knowledge, from the Korean conflict to Vietnam, "there are no documented cases of drug- or hypnosis- induced mind control. Reading the examples of what the POWs stated in both Korea and Vietnam, and what I saw in Hanoi, there are only men saying, 'I couldn't have

done those things unless I had been drugged.' There are no specific reports of anyone saying, 'They stuck a needle into me and I did so and so.' or 'They gave me something to eat, and then I did so and so.' There were men who said, 'I acted in a very strange way, just like I was in a dream or something. I must have been drugged.'"

There was a cover-up for a snafu in some of the original Korean briefings of our combatants who, Guttersen said, were told to cooperate if captured.

"I remember a specific briefing, though later it was denied, where a group of us were told that we would be well advised, if we got shot down, to whip out a bottle of vodka and a red flag and start waving it. We were advised to cooperate in any possible way with the enemy because anybody back home would know that we were cooperating under duress. We were told that if we cooperated with our captors, it would not give them an excuse to torture us. That was a specific briefing given to us. Of course, now we know that a good number of our captive men followed that advice and did collaborate on the basis that 'What the hell, nobody would ever be told to collaborate with the enemy again.'"

The word "brainwashing" became commonplace after the Soviet Union presented evidence before the United Nations that charged the United States with the use of germ warfare in Korea – a major violation of the Geneva Convention. The Soviet evidence contained the confessions of several captured United States pilots stating both in documents and on film that they had dropped germ bombs on North Korea. By the time these men were repatriated their stories had changed.

Marine Corps Colonel Frank H. Schwable was the first American to sign a germ warfare confession. His confession named names, cited missions, described meetings and strategy conferences. Before a military court of inquiry Schwable said: "I was never convinced in my own mind that we in the First Marine Air Wing had used bug warfare. I knew we hadn't, but the rest of it was so real to me – the conferences, the planes, and how they would go about their missions...

The words were mine," the Colonel continued, "but the thoughts were theirs. That is the hardest thing I have to explain: how a man can sit down and write something he knows is false, and yet, to sense it, to feel it, to make it seem real."

A CIA memo dated April 11, 1953 addressed to the Chief of CIA's Plans and Preparations, contained a report of an exchange that took place between then United Nations Ambassador Henry Cabot Lodge and an unidentified CIA agent. The CIA agent began to brief Lodge on the germ warfare confessions of Schwable and others when according to the memo, Lodge interrupted expressing "...a profound distaste for the entire matter," adding that "he hoped he would never hear of it again – it had been a nasty and difficult issue, principally because of



the difficulty of *explaining away* the film and the statements of the American fliers..." (Emphasis added.)

The CIA memo continued with the agent reporting. "I said that we fully shared his view that 'the issue was finished in the United Nations,' but that it had been our experience that 'the bug' comes from a very hardy strain and had exhibited appalling vitality. For this reason, I said that I thought it would be a mistake to be too complacent about the matter. To the last statement Senator Lodge replied with a question as to just what explanation we could give of the statements of the American Fliers -- how did we account for this and what could be done about it? I said that our best guess was that the statements had been in one way or another forced out of the captive airmen and that one of the techniques which we thought had possibly been used was the Soviet (and now Chinese) techniques of brainwashing.' Senator Lodge said that he thought the public was very inadequately informed about 'brainwashing' and that in the absence of a much larger quantity of public information than now exists on the subject, the impact of the fliers' statements is terrific. I replied by stating that we shared his view and pointed out that the Department of Defense is expected to issue a lengthy statement..." (Emphasis added.)

Shortly thereafter, the word "brainwashing" was on the front page of every paper in America. We had not used germ warfare, CIA propaganda claimed, the Communists had used brainwashing.



Marine Sgt. Frank H. Schwable was the first American to confess to his North Korean and Chinese captors that the U.S. had dropped germ bombs in the Korean War (which was true). Thus, because of the CIA's successful coverup, he was the first person in the world to be "brainwashed" - a propaganda term coined for the occasion by Edward Hunter.

## WITHOUT KNOWLEDGE OR CONSENT

"I can hypnotize a man -- *without his knowledge or consent* -- into committing treason against the United States," boasted Dr. George Estabrooks in the early 1940s.

Estabrooks, chairman of the Department of Psychology at Colgate University, was called to Washington by the War Department shortly after Pearl Harbor. Since he was the ranking authority on hypnosis at the time, they wanted his opinion on how the enemy might be planning to use hypnosis. "Two hundred trained foreign operators, working in the United States," Estabrooks told the military leaders, "could develop a uniquely dangerous army of hypnotically controlled Sixth Columnists."<sup>13</sup>

At that time, only a handful of men knew of the government's experiments with hypnosis for the purpose of controlling minds in the interest of "national security." In that decade there had been no concentrated assassinations of presidents, candidates, or civil rights leaders. There had not yet been Watergate, nor any disclosures of government agencies invading the privacy of the United States citizens. The CIA had not yet been conceived, and even its parent, the Office of Strategic Services (OSS), did not exist.

It was unthinkable at the time that an agency of the U.S. government would employ mind-control techniques on its own people. Therefore it was natural for George Estabrooks to believe that if Americans were threatened by hypnotic mind control, the threat would be posed by a foreign enemy working within the United States.

So in 1943 Estabrooks sounded his public alarm, and planted the seed for what would become priority top-secret research for the next twenty-five years. Couching his disclosure in hypothetical terms and saying that the hypnotized mind "could be" put to military use, he then portrayed a scene which he said could "very easily take place."

It would be possible, he said, for "the enemy" to plant a foreign agent as a doctor in a hospital or his own office. This "doctor" could, by means of fake physical

---

<sup>13</sup> George Estabrooks, *Argosy*, February, 1950.

examinations, place thousands of people under his power over a period of time. Estabrooks projected how, by hypnotizing key officers and programming them to follow suggestions, this "masked maneuver" could enable a lowly first lieutenant to take-over the reins of the entire U.S. Army.

His alternate scenario depicted the General Staff summoning a colonel from Intelligence to an emergency meeting in the pentagon two days after an outbreak of war. Shortly after entering the room where Pentagon "brain trusters" were gathered, the colonel is put into hypnotic trance by an army psychologist and told there has been a change of plans for the defense of major territory. The details of the plan have to be conveyed in absolute secrecy to the pacific command. Since the enemy has been very successful in monitoring U.S. communications, a new highly reliable procedure is needed to slip the message past the enemy. The colonel, under the influence of hypnosis, will carry the top-secret message.

"When you wake up, the hypnotized colonel is told, "you will no longer have the slightest knowledge of the secret information carried in the lower layers of your mind." The colonel is then given instructions to proceed by airplane to Honolulu. He is told that in his normal waking state he will hold the impression that he is on a routine mission and must report after his arrival to General Y.

"He is the only man in the world who can hypnotize you again. Put to sleep by General Y. -- and only him -- you will correctly recall all the details of this conversation and disclose the secret instructions we have just given you."

Estabrooks said later he had given the pentagon episode *only* as a practical example of how the new science of hypnotism *could* be used for military purposes.

Going even further with his alarming predictions, Estabrooks told how disguised techniques of hypnosis could be employed to create an entire army of saboteurs within our own country. "Let us suppose that in a certain city there lives a group of a given foreign extraction. They are loyal Americans but still have cultural and sentimental ties to the old country. A neighborhood doctor, working secretly for a foreign power, hypnotizes those of his patients who have ties favorable to his plans. Having done this he would, of course, remove from them all knowledge of their ever having been hypnotized.

"Next comes a one-month period of indoctrination under hypnosis. By various means, including the offer of substantial rewards and educational processes designed to strengthen their ancestral loyalties, their cooperation is obtained."

Estabrooks explained how individuals so controlled would have no conscious aversion to Americans and would continue to behave as good citizens. Subconsciously, however, they would be saboteurs and agents of the enemy.

"All right you say. This sounds beautiful on paper. But what about the 'well-known psychological principle' that no one will do anything under hypnosis that he wouldn't do when he's awake?" Estabrooks asked.

"My experiments have shown this assumption is poppycock. It depends not so much on the attitude of the subject as on that of the operator himself... In wartime, the motivation for murder under hypnosis doesn't have to be very strong," Estabrooks warned.

"During World War I, a leading psychologist made a startling proposal to the navy. He offered to take a submarine steered by a captured U-boat captain, placed under his hypnotic control, through enemy mine fields to attack the German fleet. Washington nixed the stratagem as too risky. First, because there was no disguised method by which the captain's mind could be outflanked. Second, because today's technique of day-by-day breaking down of ethical conflicts brainwashing was still unknown.

"The indirect approach to hypnotism would, I believe, change the navy's answer today. Personally," Estabrooks concluded, "I am convinced that hypnosis is a bristling dangerous armament which makes it doubly imperative to avoid the war of tomorrow."<sup>14</sup>

George Estabrooks may have greatly contributed to the U.S. government's interest in hypnosis. For during the years that followed, seeking ways both to improve the mind and to control it, various government agencies, many of them with intelligence functions, secretly pursued research in hypnotic techniques.

A number of related events during the 1940s demonstrated the extent of the government's interest in hypnosis. Beyond changing beliefs, they sought ways to motivate people to commit acts which they would not commit in a normal state.

Dr. Bernard C. Gindes wrote of an amnesia experiment he undertook for the U.S. Army in the late forties. "A soldier with only a grade school education was able to memorize an entire page of Shakespeare's *Hamlet* after listening to the passages seven times. Upon awakening, he could not recall any of the lines, and even more startling was the fact that he had no remembrance of the hypnotic experience. A week later he was hypnotized again. In this state, he was able to repeat the entire page without a single error. In another experiment to test the validity of increased memory retention, five soldiers were hypnotized en masse and given a jumbled code consisting of twenty-five words without phonetic consistency. They were allowed sixty seconds to commit the list to memory. In the waking state, each man was asked to repeat the code; none of them could. One man hazily remembered having had some association with a code, but could not remember more than that. The other four soldiers were allowed to study the code

---

<sup>14</sup> Estabrooks, *Hypnotism*, 3d ed. (New York, Dutton, 1944)

consciously for another sixty seconds, but all denied previous acquaintance with it. During rehypnotization, they were individually able to recall the exact content of the coded message."<sup>15</sup>

In 1947, J.C. Watkins induced criminal behavior in deeply hypnotized subjects during another army experiment. Watkins suggested a distorted view of reality to his subjects by inducing hallucinations which allowed them to avoid direct conflict with their own moral concepts. He carefully chose his suggestions to be in line with his subjects' pre-existing motivational structures, and so was able to induce so-called antisocial behavior.

Watkins took a normal, healthy army private, a young man whose tests indicated a most stable personality, and put him in a deep trance. Though merely striking a superior officer is a court-martial offense in the army, Watkins wanted to see if he could get his subject to strangle a high ranking officer.

After the subject was deep into trance, Watkins told him that the officer sitting across from him was a Japanese soldier who was trying to kill him. He must kill or be killed, Watkins suggested, and immediately the private leapt ferociously at the officer and grabbed him by the throat. In his waking state, the private would have been aghast at the thought of trying to strangle a superior officer. But under hypnosis, believing the officer was a dangerous Japanese soldier, the young private had to be pulled off his superior by three husky assistants. The officer came within a hairsbreadth of being strangled, as the young man was most persistent in his attempt to kill what he regarded as the enemy.

Watkins repeated this experiment with other subjects. The second time he used two officers who were good friends. One of them was given the hypnotic suggestion that the other was a Japanese soldier and that he must "kill or be killed." the man who had received the command not only made a powerful lunge at his friend, but as he did he whipped out and opened a concealed jack knife, which neither the doctor, his assistants, nor his friend knew he had. Only the quick action of one of the assistants, who was a judo expert, prevented a potentially fatal stabbing.

In both cases, reality was so distorted that the subjects took murderous and antisocial action. If they had accomplished their "defensive" acts, both men could have been convicted of murder, since the law did not recognize motivation through hypnosis as a fact. The courts, in all but a few cases, had adopted the traditional scientific view that criminal behavior cannot be induced under hypnosis. That view still stands today.

To test the premise, which was then widely held, that a normal person under hypnotic trance could not be made to divulge information which would be

---

<sup>15</sup> Bernard C. Gindes, *New Concepts in Hypnosis* (Wilshire Books, N. Hollywood, Cal., 1973)

self-incriminating, Watkins conducted a number of experiments where a monetary bribe was offered to withhold information. Watkins discovered that "when placed in a trance they 'spilled' every time, either verbally or in writing.

The subject of one of these experiments was an enlisted WAC in military intelligence. Her commanding officer ordered her not to reveal a list of what were made to appear to be real military secrets. Under hypnosis she "spilled" everything.

Another experiment was discontinued when it was discovered that a research worker in the government arsenal was spilling vital and top-secret war information to the friendly army hypnotist, who did not have a "need to know." He did this loud and clear while in a trance before an audience of 200 military professionals. If the subject had been allowed to continue, the disclosures of information would have resulted in a general court martial, no matter how the doctor might have tried to persuade intelligence headquarters that this was "just a test."

Much of the army's experimentation with manipulation by hypnosis was inspired by the reports of Wesley Raymond Wells, a doctor at Syracuse University. Wells's research, in turn, had been inspired by the fiction of the 1880's and 1890s, which described criminal acts as being induced by hypnosis. Wells was taken by the idea that "the most striking feature in a hypnotized subject is his automatism." Although earlier experiments had elicited no immoral or criminal behavior from subjects under hypnosis, the results of experiments which asked subjects to resist various suggestions indicated to Wells that people might be more suggestible than was generally believed.

In the late 1930s, Wells conducted a simple experiment with a student volunteer. He chose a subject who had stated that he expected he would be below average in hypnotizability and claimed he could not be put into a trance. Before inducing trance, Wells urged him to do his utmost to resist, in every possible way, first going into the trance, and then doing anything against his own moral code.

When the student told Wells that he was ready to begin the contest, the doctor put his hand on the subject's chest, counted to seven, and found that the subject had already fallen into a deep trance! After testing the subject's muscle control and ability to obtain amnesia and hallucinations, Wells proceeded to suggest that the subject get up from his chair, go over to Wells's overcoat which was on a coat rack across the room, and take a dollar from the right-hand pocket. Wells suggested that the subject see the coat as his own, and take the dollar thinking that he had left it in the pocket. When the subject followed all of Wells's suggestions, he then told him to put the dollar in his own breast pocket and return to his chair. As he was about to sit, Wells said to him that when he sat in the chair he would spend the dollar, just as if it were his own.

Afterwards, during the student's recall of his experiences, Wells found that everything had worked according to the hypnotic program he had implanted. This was, of course, a clinical sort of test for amnesia.

"Whether his amnesia would have withstood third-degree methods of the police or the lie detector methods of the psychological laboratory is another question," Wells said. "On the basis of my previous experimental study of posthypnotic amnesia, I would state it as my opinion that hypnotically induced amnesia in the case of so good a subject... would have withstood any possible tests if added precautions had been taken in the hypnotic production of the amnesia."<sup>16</sup>

Wells' report of this experiment, published in a psychology journal in 1941, brought a negative reaction from the scientific community. Milton Erickson was among the first to say that Wells's experiments were at best inconclusive. Erickson reported that after attempting to duplicate similar hypnotic inducements of crime with fifty subjects, he had failed. He concluded from his own investigations that "hypnosis cannot be misused to induce hypnotized persons to commit actual wrongful acts either against themselves or others..." The so-called antisocial acts induced by Wells and others, Erickson maintained, were most likely motivated by factors other than hypnosis or suggestion.

"We know that it is possible, without recourse to hypnosis, for one person to induce another to commit a wrong, a fact we may explain loosely as the influence of one personality upon another," Erickson explained. "To settle this question is difficult, since it involves three inseparable factors of unknown potentialities -- specifically, the hypnotist as a person, the subject as a person, and hypnosis as such to say nothing of the significant influence upon these three, both individually and collectively, of the suggestion and the performance of a questionable act."<sup>17</sup>

But even Erickson conceded that the primitive being, the libido, which dwells in everyone, makes almost any crime possible. When a hallucinatory state has been induced and the subject thinks he or she is acting out of self-preservation, the primitive mind takes over and the killer instinct is unleashed.

*{Milton W. Erickson's insights into human behavior were used to develop (with the CIA watching over the scientists shoulders) what is perhaps the 20th Century's most important technology of empowerment or enslavement, a science known as Neuro-Linguistics Programming (NLP).}*

In the late 1930s psychologists began grappling with the problem of human will, as the theologians before them had done for centuries. Some maintained that "will" meant conscious volition; others, that it meant nothing but the manifestation of the belief system, that is to say, the result of the earliest

---

<sup>16</sup> Wesley Wells, *The Journal of Psychology*, 1941.

<sup>17</sup> Milton Erickson, *Journal of Biology and Pathology of Interpersonal Relations*, August, 1939.



conditioned responses. The area of will still lies outside the limits of modern psychology. Many experts are loath even to use the word "will" since it represents a most ill-defined dimension of human nature.

Summing up a carefully constructed semantic argument, psychologists often say, "A person cannot be made to do anything against his will or basic moral precepts." That statement, taken at face value, is certainly true. A normal person would not wittingly kill a friend. But if he was made to hallucinate that his friend was an enemy, and it was a "kill or be killed" situation, he would initiate a natural response to preserve his own life. In the process he might even take the imagined enemy's life. After the hallucination passed, he would realize he had killed his friend. This criminal act would be considered in one sense, an act of will; but the real cause of the action would not be understood outside the hallucinated state. Only the killer's grief would remain, to attest to his knowledge of what he did, and that *he really* did not *want* to do it.

Whether or not hypnosis can be used to deeply motivate people to commit antisocial acts despite the call of their own conscience is still an open question in academic circles.

George Estabrooks had evidence which made him conclude that "one in every five of the human race are highly suggestible, at least half are suggestible to a very considerable degree." And he warned, "... mere figures do not tell the story. That one fifth has a power far beyond its numbers; for this type of man, acting under direct suggestion, is no mere average person. He is a fanatic, with all that fanaticism may imply for good or evil... Can this prospective subject – this one in five individual – be hypnotized against his will?"

"The answer to this very vital question," Estabrooks concluded, "is 'yes,' though we prefer to say 'without his consent' instead of 'against his will.' We do not need the subject's consent when we wish to hypnotize him for we use 'disguised technique...'"<sup>18</sup>

Believing in Estabrooks' logic, pragmatists in the government began to explore the possibilities of ways to change belief and motivate behavior. They let scores of contracts for research into hypnosis, behavior modification, conditioning, and virtually anything that held even a slim chance of being able to give them control over the individual human mind and will.

Meanwhile foreign governments unfriendly to the United States were involved in similar psychological research. But the U.S. government's fear of losing superiority in this new and untested field ran away with it. Intelligence analysts believed a "mind-control gap" existed, and to close it they mobilized "think tanks" to develop a usable program of experimental research, at once.

---

<sup>18</sup> Estabrooks, *Hypnotism*.

From one such think tank, the Rand Corporation, came a report entitled *Are the Cominform Countries using Hypnosis Techniques to Elicit Confession In Public Trials?* Dated April 25, 1949, it helped set the stage for using national security as the rationale for resorting to mind control to motivate criminal acts, both at home and abroad.

The successful use of hypnosis," the report said, "Would represent a serious threat to democratic values in times of peace and war. In addition, it might contribute to the development of unconventional methods of warfare, which will be widely regarded as immoral. The results of scientific research in the field under discussion would obviously lend themselves to offensive as well as defensive applications and to abuse no less than use. It must be assumed that almost all of the scientific personnel in the field of hypnosis are keenly aware of these social implications of their work and that they are interested in limiting the practice of hypnosis to therapeutic applications." That assumption proved to be untrue.

The Rand report recommended "that these moral and political implications of experimental research on hypnosis be explored as fully as possible prior to official encouragement or sponsorship of such research, so as to establish the most effective safeguards against its unintended consequences."

The Rand study dwelt at length upon Soviet experiments in hypnosis dating back to 1923. "At the State Institute of Experimental Psychology in Moscow," the report stated, "it was demonstrated that hypnosis could be used in inducing an innocent person to develop intense guilt feelings and to confess to a criminal or immoral act which he did not commit. In 1932 the experiments on hypnotically implanted 'crimes' were reported (in English translation) by A. R. Luria, who at that time was a professor in the Academy of Communist Education."

Quoting Luria, the report described how hypnosis was used as a device for producing emotional disturbances in order to control behavior. "We suggested to the person under test, while in a sufficiently deep hypnotic state, a certain situation, more often a disagreeable one, in which he was playing a role irreconcilable with his habits and contrary to his usual behavior -- we thus obtained an actual and rather sharply expressed acute effect. After awakening the person under test... we had a subject who was 'loaded' with certain definite affective complexes, which mostly remained unknown to himself..."

Luria described an experiment with a twenty-year-old female college student who was told under deep hypnosis that she was sitting in her home studying when a neighbor child, a boy of six, came into the room. She was told that the child shouted when he came into the room. She asked him to stop, but he did not listen. The young woman was then told that she would get angry and forget herself. She would take a stick and beat the boy, first on the back and then on the

head. The boy would cry out from the wounds on his head, but she would keep on beating him. She would then feel very ashamed and would be unable to understand how such a thing could happen, how she could beat up a child. Finally, she was told that she must try and forget the incident altogether.

Luria explained that he had chosen this situation with a definite purpose. Since the hallucinated event was entirely unacceptable by the moral standards of the young woman's personality, it was natural that she would feel repentant. He reinforced her natural desire to forget by suggesting to her that she remove the memory of the event from her mind.

In subsequent trances the subject was questioned about the "beating." With great difficulty she reconstructed the event, but shifted the emphasis on several points so that the imagined event would conform more to her basic moral code. At first she refused to remember that she had "beaten" the child. She then conceded that she had "pulled his ears." Then, finally, she admitted she had "beaten him," but she maintained she had not beaten him with a stick. Luria said that this showed how unacceptable the situation was to her personality. The student said twice, "my conscience has tortured me." Luria said this showed the effectiveness of the hypnotic suggestion.

Of the experiment, Irving Janis, author of the Rand report, observed, "in this particular case, the implanted memory was initially referred to by the examiner as a 'dream' rather than as a real event. But from the detailed reports of other investigators, this procedure does not appear to be necessary for eliciting a false confession: a hypnotized subject will often accept and confess to an implanted memory as a real event in his own past life."

The Rand report itself suggested that this trick of hypnotic suggestion might be used on a defendant awaiting trial. The defendant could be "prepared" in a series of hypnotic sessions to accept guilt about a criminal act he did not commit, and then, if placed in a hypnotic trance while in the courtroom, the prosecutor's interrogation would elicit a false confession.

Fearing the Communists' use of hypnosis, the Rand report warned that hypnosis, once accomplished, is hard to detect. Contrary to reports in the nineteenth century, "a hypnotized subject is not blindly obedient, nor does he act like an automaton when in a trance. Hypnotic suggestions are acted out and elaborated in a way that is consonant with the individual's habitual social behavior and his basic personality traits." The report stated that while often "the hypnotized subject seems literal and humorless... he appears entirely unselfconscious, and very often he acts abstracted, inattentive, almost as if he were insulated against his surroundings," this is not always the case. A number of experienced hypnotists had been able to train their subjects to perform "in such a way that

observers could not tell that the subject was in a trance or that he was acting under hypnotic suggestions."

The Rand report outlined the following procedure that would elicit a false confession. "First, make the subject feel guilty about some acts he had thought about or had actually carried out in the past. Second, make him feel guilty about having committed some crime of which he was actually innocent. The implanted guilt would compel the subject to confess when examined by a hypnotist or any one else designated by the hypnotist. Third, train the subject, by means of post-hypnotic suggestion, to go into a trance whenever a simple signal was encountered." The subject would be trained to give his false confession in a normal, convincing manner, so that observers would not be able to detect the trance state.

To induce hypnosis in an unwilling subject, the report suggested any of three possibilities which were then well supported by research findings:

1. As part of a medical examination, talk relaxation to the subject, thus disguising the hypnotic induction. For example, the person could be given a blood pressure test, told that he must relax completely in order to give an adequate test record, and then be given suggestions to go to sleep which would result in a hypnotic trance.

2. Induce hypnosis while the person is actually asleep from normal fatigue. This could be done by simply talking softly into the sleeper's ear.

3. Use injections of drugs to induce hypnosis. the hypnotic drugs would relax the subject and put him in a "twilight state" where the subconscious mind is very susceptible to suggestion.

Subjects who refuse or resist the simple "talking" methods of hypnotic induction could be given a few grams of paraldehyde or an intravenous injection of sodium pentothal or sodium amytal. The appropriate dosage of these drugs invariably induces a state of light hypnotic sleep. During sleep, the subject could then be given suggestions which would produce the characteristic deep hypnotic trance. While in the first drug-induced trance, the patient could be given posthypnotic suggestions to the effect that he would be susceptible to hypnosis thereafter without the use of drugs. Subsequently the subject could be allowed to practice carrying out posthypnotic suggestions. He could then be rehypnotized, still without his conscious cooperation, but this time without the use of drugs.

The report admitted that at the time of its writing there was no certain knowledge of just how successful each of the three methods described might prove to be with individuals "who are on their guard against being victimized by hostile authorities."

"The drug technique," suggested the report, "would probably turn out to be the simplest and most efficient of the three and so it would be the most likely candidate for... hypnotizing defendants against their will."

Another important use of hypnosis for the government the report said, would be the induction of amnesia: "Once a deep hypnotic trance is achieved, it is possible to introduce posthypnotic amnesia so that [a subject] ...would not know... that he had been subjected to hypnosis, to drugs, or to any other treatment."

The report then turned to the problem of producing the deep hypnotic trance essential to post hypnotic amnesia. It stated that, based on research reports of that time, "in about 90 percent of any unselected population it should be possible to produce the deepest (sommnambulistic) type of trance. According to numerous authorities, a light trance is sufficient to elicit a 'confession' of actual misbehavior which might otherwise be withheld; but, for carrying out complete posthypnotic amnesia, it is a sommnambulistic trance that is required."

The Rand document expressed fear that Soviet investigators had found other techniques which could produce deep hypnosis in perhaps 90 percent or more of all individuals. Anticipating future advances, the report speculated on more efficient ways to develop greater depth in hypnotic trance. It suggested that a subject could be placed in a trance many times each day until a sufficient depth of trance was achieved. It was thought that hypnotizing the subject and then awakening him several times in the same session might speed up the process. This technique of successive and rapid trance induction would, it was hoped make the subject easily susceptible to deep trance in a few days.

To increase speed and depth of hypnosis, special uses of hypnotic drugs were also suggested. "For example, a series of drug-induced trances, as against only one such treatment might serve to develop the majority of cases into sommnambules. Moreover, certain unique drug compounds may be especially effective in inducing very deep states of hypnosis." (NLP practitioners have developed ways of reaccessing any drug state, or any state at all for that matter, once it has been achieved. NLP added to that which is described above can exponentially amplify the effects.)

The report then said, "Conceivably, electroshock convulsions might be used as an adjunctive device to achieve sommnambulism in a very high percentage of the cases. Many studies have shown that there is a temporary intellectual impairment, diffuse amnesias, and general 'weakening of the ego' produced during the period when a series of electroshock convulsions is being administered.

From my own and others' investigations of the psychological effects of such treatments, I would suspect that they might tend to reduce resistance to hypnotic

suggestions. It is conceivable, therefore, that electroshock treatments might be used to weaken difficult cases in order to produce a hypnotic trance of great depth."

In 1958 the Bureau of Social Science Research (BSSR), a subcontractor to the Rand Corporation, issued a "technical report" on hypnosis to the air force that took up where the earlier Rand report had left off. Once again a "think tank" was calling for action in the mind-control race against the Communists.

"To both the lay person and the behavior scientist," the author, Seymour Fisher, wrote in the introduction, "hypnosis has long been regarded as a potentially powerful instrument for controlling human behavior. Undoubtedly, the intelligence divisions of many countries have given serious thought to this potential and have done classified research in various areas of hypnosis... it is conceivable... that these techniques could have been used and covered up so successfully that they might be *impossible to recognize*..." [Emphasis added.]

Fisher outlined areas of future research where Americans could advance in the mind-control race. He urged the government to develop test to determine who was and who was not a good hypnotic subject. He urged further research in pharmacology, suggesting that a number of drugs little known at the time might prove to be effective in inducing hypnosis.

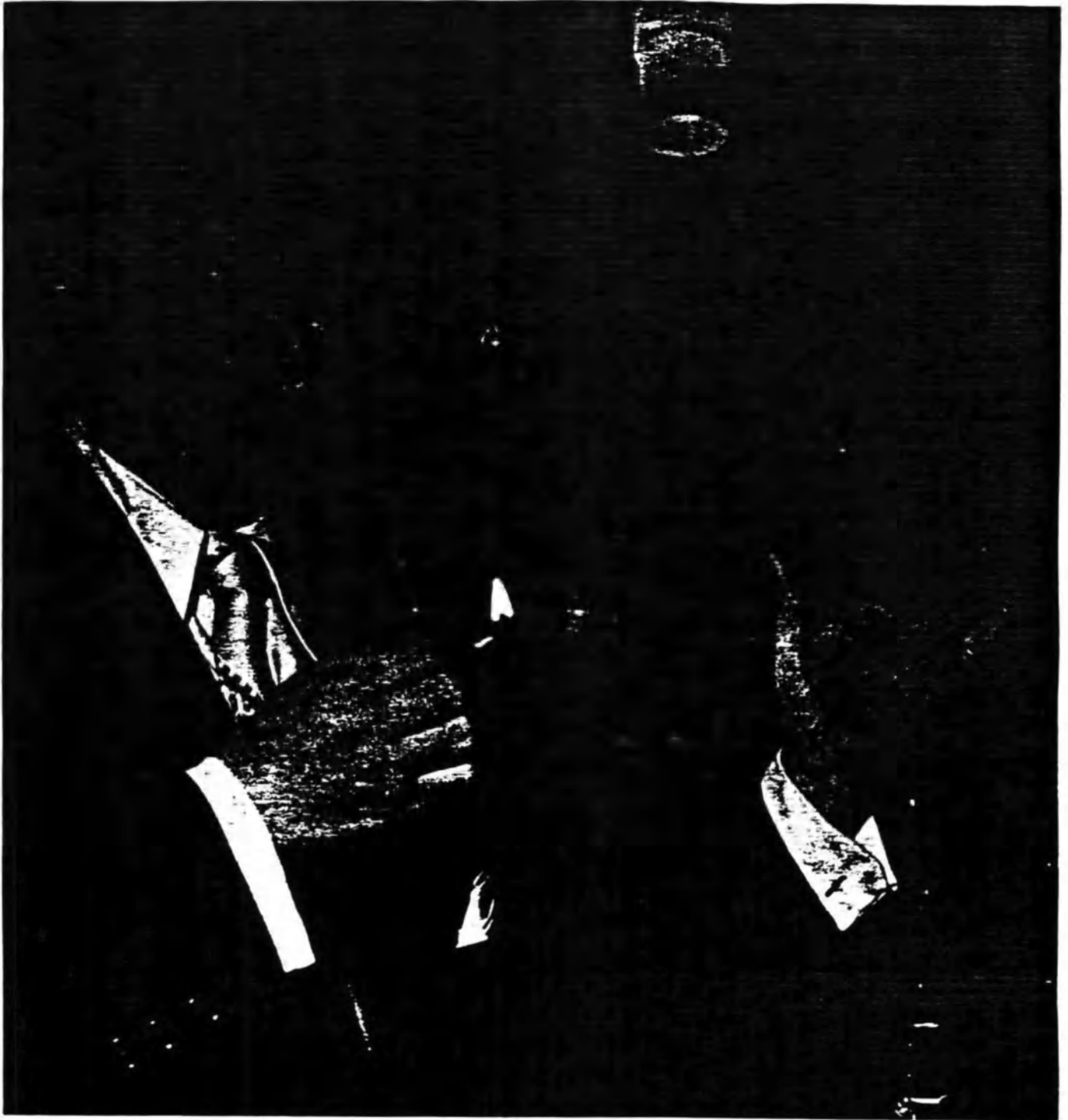
He predicted that some drugs would prove useful in reducing the amount of time required to induce complex hypnotic behavior and that others would be useful in reinforcing the lasting effects of hypnotically induced behavior control. He predicted that drugs would be developed which would permit far greater control over autonomic processes. Some drugs, he suggested, would be found to permit control over learning and perception as well. He also predicted that *new drugs would be discovered which would be capable of inducing deep hypnosis in virtually any individual regardless of his degree of cooperativeness.*" [Emphasis added.]<sup>19</sup>

All of these techniques, involving drug-induced hypnosis and electroshock convulsions, were eventually developed and used to reduce some of our own citizens to a zombie state in which they would blindly serve the government. Regardless of the Constitution and the laws which supposedly protect the individual against government coercion, "zombies" were covertly created to do the government's more unsavory bidding. Such "zombies" asked no questions about the legality of their assignments. Often their assignments were never consciously known. And if they were ever questioned about their own actions, amnesia protected them from self-incrimination.

---

<sup>19</sup> Seymour Fisher, *The Use of Hypnosis in Intelligence and Related Military Situations*.

What had started out a race against the Communists slowly turned into a war against Americans. It was waged by a cryptocracy that had taken over the country once the electorate had been lulled into a hypnotic trance by the techniques it had developed to win the mind-control race against the boogey-men Commies.



In an early hypnosis test circa 1940, the enlisted man with his head back, is in a trance. Holding out his hand at the command of the hypnotist, a match is put to his fingers. While the flesh sizzled, no blisters formed due to the suggestions of the hypnotist.



## 5

### HOLY ACID WARS

**I**n 1951, a former naval officer described "a secret" of certain military and intelligence organizations. He called it "Pain-Drug-Hypnosis" and said it "is a vicious war weapon and may be of considerably more use in conquering a society than the atom bomb. This is no exaggeration. The extensiveness of the use of this form of hypnotism in espionage work is now so widespread that it is long past the time when people should have become alarmed about it... Pain-Drug-Hypnosis is a wicked extension of narcosynthesis, the drug hypnosis used in America only during and since the last war..."<sup>920</sup>

That naval officer was none other than L. Ron Hubbard. Before the war an explorer and prolific science fiction writer he went on to found one of America's fastest growing IFcontroversial religions, Scientology. *(In an exchange of letters, Hubbard told me that he had written a book called Excaliber which had been stolen. The information in the book, he said, had all been subsequently published in his many other books. Excaliber, was, he intimated, the guts of what would be published as Dianetics, a work which takes all the mind control insights Hubbard was exposed to both in his travels in the east and in Naval Intelligence, and applies them to empower the human spirit – the exact opposite of mind control as it came to be. He was subsequently kidnapped, and of course we know that he, and The Church of Scientology were hounded by the government much as others like Wilhelm Reich had been hounded, for spreading the truth about technologies which may have the potential to liberate, rather than enslave. Several years after Hubbard's death, The Church of Scientology was granted, in 1993, official recognition by the Internal Revenue Service. It finally granted them the tax-deductible status which run-of-the-mill religious groups have little trouble obtaining.)*

Hubbard's statement on "Pain-Drug-Hypnosis" was the tip of a vast iceberg of mind-control research using drugs as an aid to hypnotic induction. In the 1950s, under air force (and ultimately CIA) guidance, a series of papers were written defining the limits to which a government (ours or an enemy's) could go "to make persons behave against their will." In the introduction to one of these, the authors stated that the purpose of their study was "to review available scientific knowledge on the use of pharmacologic agents to influence the communication of information which, for one reason or another, an informant does not wish to reveal."

---

<sup>920</sup> L. Ron Hubbard. *The Science of Survival* (Church of Scientology, L.A. CaL, 1951)

They went on to say that, contrary to the alleged necessity for conducting such drug experiments, "no published reports have come to attention... detailing the scientific application of drugs by intelligence agencies of any nation as a means of obtaining information. The methods of Russian interrogation and indoctrination are derived from age-old police methods that have been systematized, and are not dependent on drugs, hypnotism, or any other special procedure designed by scientists."

The report, expressing concern over "proper" drug experimentation, urged that control placebos be administered "silently" so that no one would know who was getting what or when. Also discussed were the effects of drugs on different individuals in various settings, the relation between dosage levels, the effect of food, drink, and other physiological needs, and the effects of individual variables, such as sex, intelligence, medical and psychiatric status, life situation, and so forth, upon drug reactions.

The top priority for testing in mind control were those drugs which were found to induce hypnosis. The administration and effects of barbiturates, amobarbital, secobarbital, pentothal, and sodium amytal were studied. Nonbarbiturate sedatives and calmatives such as etho-chlorvynol, glutethimide, methypylon, methylparafynol, captodramin, and oxanimide were also tested. A whole range of amphetamines and their derivatives were discussed as good tools to "produce a 'rush'-- an outpouring of ideas, emotions, memories, and so forth." New drugs such as ritalin, marsilid, and mescaline were thought to hold great promise for mind-control applications. Perhaps the most promising of this last group was a "consciousness-expanding" drug called LSD-25.<sup>21</sup>

Four months after the first nuclear reaction was created in a pile of uranium ore in Chicago, the psychotropic effects of LSD-25 were discovered by a thirty-seven-year-old Swiss chemist working at the Sandoz research laboratory in Basel, Switzerland. On April 16, 1943, Dr. Albert Hofmann accidentally absorbed a minute quantity of the rye fungus byproduct with which he was experimenting. He later filed a report which described history's first LSD "trip."

"I was forced to stop my work in the laboratory in the middle of the afternoon and to go home, as I was seized by a peculiar restlessness associated with a sensation of mild dizziness... a kind of drunkenness which was not unpleasant and which was characterized by extreme activity of imagination... there surged upon me an uninterrupted stream of fantastic images of extraordinary plasticity and vividness and accompanied by an intense kaleidoscope-like play of colors..."<sup>22</sup>

Sandoz Laboratories had actually been manufacturing LSD since 1938, when it was first used in an experiment with monkeys. Their scientists observed then

---

<sup>21</sup> Louis Gottschalk, *The Use of Drugs in Information-Seeking Interviews*.  
<sup>22</sup> Albert Hoffman, *High Times*, July, 1976.

that the substance caused a marked excitation of the animals, but these results did not motivate scientists to follow up with further research. Work with LSD fell into abeyance until the spring of 1943 when Hofmann prepared a new batch for the storeroom, and accidentally ingested some himself.

Dr. Hofmann described that LSD experience: "...I did not know what was going to happen, if I'd ever come back. I thought I was dying or going crazy... My first... experiment with LSD was a 'bum trip' as one would say nowadays."

Dr. Hofmann's new discovery was investigated by the European psychiatrists as a possible key to the chemical nature of mental illness. In 1950 LSD was introduced to American Psychiatrists, and interest spread rapidly in the scientific community here.

In 1953, the CIA made plans to purchase ten kilograms of LSD for use in "drug experiments with animals and human beings." Since there are more than 10,000 doses in a gram, that meant the CIA wanted 100 million doses. The CIA obviously intended to "corner the market" on LSD so that other countries would not be ahead of the U.S. in their potential for "LSD warfare." (Later the cryptocrats were to say that they'd merely gotten milligrams and micrograms confused.)

That year Sandoz Laboratories Filled many orders for LSD from the CIA and the Department of Defense. According to Hofmann, they continued to do so up until the mid-sixties. The army would visit the labs every two years or so, to see if any technological progress had been made towards the manufacture of LSD in large quantities. Dr. Hofmann said that he had never been told the reason for the army's interest in the drug, but he assumed, from the large quantities being discussed, that it was to be used for weapons research.

As an employee of the pharmaceutical house, Dr. Hofmann was in no position to warn the army researchers away from the drug despite his belief that it would be extremely dangerous if used improperly and despite his personal distaste for their work.

"I had perfected LSD for medical use, not as a weapon," he said. "It can make you insane or even kill you if it is not properly used under medical supervision. In any case, the research should be done by medical people and not by soldiers or intelligence agencies."

In 1963 Hofmann received a letter from a scholar at Harvard requesting twenty-five kilograms of psilocybin for research purposes. Psilocybin was a psychedelic substance similar in effect to LSD but more subtle and much less powerful. Before the sales department at Sandoz would act on this order for "the extraordinarily large quantity of psychedelic compounds," they asked the scholar to provide them with the necessary import license from U.S. health authorities. He failed to provide it. Later Hofmann Commented on "the unrealistic manner

with which he handled this transaction [which] left the impression of a person unconcerned with the regulations of society."<sup>23</sup> The scholar's name was Timothy Leary.

Leary came to the CIA's attention through a drinking buddy at Berkeley named Frank Barron. Barron had guided Leary through the creation of his first book, a supposed landmark in 1956 psychology circles entitled: *Interpersonal Diagnosis of Personality*. Barron introduced Leary to CIA officials and set him up for his role in the "Psychedelic Sixties."

Shortly after Leary entered the circle of the cryptocracy his wife died and he was left with two children to raise. Miraculously he was offered a well-paying job on the faculty of Harvard University. His boss was former OSS official, David McClelland, the editor of the secret service's important work *Assessment of Men*, a book which outlined the framework by which individuals were selected for espionage work during W. W. II.

At Cambridge, Leary launched himself into his work which was funded by Harvard, which in turn was funded by NIMH, which in turn was funded secretly by the CIA's MKUltra program. Leary began experimenting with LSD on prisoners in the Concord Correctional Facility in Concord, Massachusetts. On the books, this research was funded by the Uris Brothers foundation in New York City, under the auspices of Harvard. What Leary learned from the Concord prisoners was published in 1962 in his paper entitled *How to Change Behavior*. In it, Leary explained what a powerful tool LSD was for changing ways of thinking and living.

By 1960 Leary had become fascinated by the effects of LSD upon creativity, so he went to Greenwich Village in New York City. There he began to recruit artists as LSD guinea pigs. He claims to have "guided trips" for about 3,000 volunteers among them Allen Ginsberg, Charles Olson, Jack Kerouac, Robert Lowell, Charles Mingus, Miles Davis, John Lennon, Jim Morrison, Aldous Huxley, Arthur Koestler, Alan Watts as well as "swamis, gurus, mystics, psychics by the troop." It was poet Allen Ginsberg who, after experiencing the mystical effects of LSD himself, persuaded the up-tight Dr. Leary to try it. That marks the time when a very different Leary began to emerge.

While Leary had received NIMH grants at the University of California at Berkeley from 1953-56, and while working for the U.S. Public Health Service from 1954-58, at first he denied that any of his psychedelic research projects at Harvard were funded by the government. Yet when I finally sat with him face-to-face after *Operation Mind Control* had been published (1979), and naively asked him if he was "witting" or "unwitting" of his collaboration with the CIA, Leary answered with: "Who would you work for, the Yankees or the Dodgers? I mean, who was I supposed to work for, the KGB?"

---

<sup>23</sup> *Ibid.*

Previous to my interview with Leary I had queried National Institute of Mental Health Director Bertram Brown. Brown said that, although such research at Harvard University was funded by HEW and NIMH grants from the period of 1956-63, "records available for projects supported during that period generally do not go below the major institution level; e.g., awards are identified as being made to Harvard University, but not to departments or centers within that institution..." Here we encounter another example of the government's built-in deniability.

Harvard claimed that its records on Leary's research could not be located.

Leary told ABC Newshack Paul Altmeyer: "The CIA funded and supported and encouraged hundreds of young psychiatrists to experiment with this drug (LSD). The fallout from that was that young psychologists (like himself) began taking it themselves and discovering it was an intelligence enhancing, consciousness raising experience..."<sup>24</sup>

"I give the CIA total credit for sponsoring and initiating the entire consciousness movement, counter culture events of the 1960s," Leary said.

The CIA's former chief psychologist, John Gittinger obviously was asked by Altmeyer if the CIA did indeed provide Leary with the LSD which fueled the "Psychedelic Sixties." Gittinger replied on camera: "The counter case that I would make in relationship to that is that, remember the people who were doing the *research* were people who would be doing the *research* regardless of who was the sponsor; that it was not the CIA who asked these people to work on these. These people were working on it and *the CIA helped them (emphasis added)* to do that particular work."

In the spring of 1962 Leary was approached by Mary Pinchot Meyer, wife of CIA executive Cord Meyer. Leary says he looked up from his deck to see a good-looking woman leaning against the door post with her hip tilted provocatively, studying him with a bold stare. "She appeared to be in her late thirties," he said, "...Flamboyant eyebrows, piercing green-blue eyes, fine-boned face. Amused, arrogant, aristocratic.

"Dr. Leary," she said coolly, "I've got to talk to you."

She introduced herself to Leary as Mary Pinchot and told him, "I've come from Washington to discuss something very important. I want to learn how to run an LSD session.

"...I have this friend who's a very important man. He's impressed by what I've told him about my own LSD experiences and what other people have told him. He wants to try it himself. So I'm here to learn how to do it. I mean, I don't want to goof up or something."

---

<sup>24</sup> Timothy Leary, *Mission Mind Control*, ABC-TV News Documentary, Paul Altmeyer, Producer, 1979.

Leary invited her to bring her friend to Massachusetts for a couple of days and he'd run a session with them. But Mary refused the idea, saying her friend was such a well-known public figure that'd be impossible.

"People involved in power usually don't make the best subjects," Leary told her.

"Don't you think that if a powerful person were to turn on with his wife or girlfriend it would be good for the world?" Mary asked.

"Nothing that involves brain-change is certain," Leary said. "But in general we believe that for anyone who's reasonably healthy and happy, the intelligent thing to do is to take advantage of the multiple realities available to the human brain..."

Later, while Leary and Mary were sharing a glass of wine, according to Leary, Mary said: "You poor innocent thing. You have no idea what you've gotten into. You don't really understand what's happening in Washington with drugs, do you?"

Leary admits he said he'd heard rumors about the military.

"It's time you learned more," Mary said. "The guys who run things -- I mean the guys who *really* run things in Washington -- are very interested in psychology, and drugs in particular. These people play hardball, Timothy. They want to use drugs for warfare, for espionage, for brainwashing, for control."

"Yes," Leary writes in 1983, describing what he knew in 1962 or before, "We've heard about that."

"...Teach us how to run sessions, use drugs to do good," Mary said.

Leary said he felt uneasy, like "that hit you get from people who live in the hard political world." There was something calculating about Mary.

Still, apparently Leary did turn her on and a couple of days later he put her on the plane back to Washington. Six months passed before he saw her again. With no warning she called him to a clandestine meeting in Room 171 at the Ritz Hotel in Boston.

"...Everything is going beautifully," Leary reports she said. "On all fronts in fact. I can't give details, of course, but *top* people in Washington are turning on. You'd be amazed at the sophistication of some of our leaders. And their wives. We're getting a little group together, people who are interested in learning how to turn on."

Leary repeated his doubts about getting high with "power-oriented" people, but Mary protested, saying that there were a lot of very smart people in Washington those days, but agreeing that power was important to them. "And these drugs do

give a certain power. That's what it's all about. Freeing the mind. "...Until very recently control of American consciousness was a simple matter for the guys in charge. The schools instilled docility. The radio and TV networks poured out conformity..." Leary reports Mary saying.

According to Leary, Mary told him that drugs were of the most vital interest to the power elite in Washington. She said that a few years before "they" (she was obviously talking about her husband's employers) had become "absolutely obsessed with the notion that the Soviets and the Chinese were persuading our POWs in Korea to defect by brainwashing them with LSD and mescaline..." (There is yet no evidence that this was true.)

"That's certainly possible," Leary quotes Leary saying. "With what we've discovered about set and setting, we know that almost anyone's mind can be changed in any direction."

"Any direction?" he says, Mary asked.

"With a minimum of information about the subject's personal life and two or three LSD sessions, you could get the most conventional person to do outrageous things."

"Suppose the person wanted to be brainwashed in a certain direction... wanted to change himself?"

"Easier yet," Leary quotes himself saying. "Our research is conclusive on this. Changing your mind, developing a new reality-fix, is a simple and straightforward proposition. Of course, altering your mind is one thing. Changing the outside world to conform to your new vision remains the difficult problem for us..." Leary says he struggled with the word. "Utopiates."

Mary was delighted. "I told you the first time we met. I want to learn how to *brainwash*."

After talking with Leary about making it a better world, she again asked Leary to teach her how to "brainwash". He said that didn't sound very ladylike and she burst into laughter saying: "If I can teach the use of utopiates to the wives and mistresses of important people in our government, then we can... well shit, Timothy, don't you see what we can do?"

"What?" Leary says he said.

"We can do on a bigger scale what you are already doing with your students -- use these drugs to free people. For peace, not war. We can turn on the Cabinet. Turn on the Senate. The Supreme Court. Do I have to explain further?"

One wonders, who, besides Abbie Hoffman, would have the courage to say something like that in public? The cryptocracy took Hoffman seriously when he threatened to dose New York City's water supply.

Leary says his response was to feel scared. "But come to think of it, it was close to what we Harvardites in our session rooms, lazily architecting hopeful futures, had spelled out as the goal of psychedelic research.

So Leary told her, "What do you want from me? The drugs?"

"Just a little bit to get started. With our connections we'll be able to get all the supplies we want. And all you need too. Mainly I want advice about how to handle sessions. And how to handle any problems that come up," Leary reports Mary saying.

Leary describes giving her a "cram course" on psychedelic sessions, then he drove her to the airport to catch a plane back to D.C.

Tim Leary and Richard Alpert were fired from Harvard in 1963, ostensibly for giving LSD to an undergraduate, but basically because they were giving it indiscriminately to just about anyone who asked, and the news got out. A controversy over the nature of their research exploded into headlines, so Leary and Co. retreated to Mexico, where they attempted to carry on LSD experiments outside the purview of the press, or do-gooders in local government. In June of 1963 they ran afoul of even the notoriously corrupt Mexican government and were expelled from that country for "engaging in activities not permitted to a tourist."

From Mexico they moved to a huge estate outside of Millbrook, New York, which was owned by Margaret Mellon Hitchcock and her sons, Tommy and Billy. ( It may have been mere coincidence that the father of Tommy and Billy, Tommy Hitchcock Sr., an Air Ace of W.W.I who lost his life in 1943 over England, was connected to the highest levels of U.S Intelligence. And there are more suspicious circumstances which might be explored at another time which could indicate that the Hitchcocks were very tight with elements of the cryptocracy.) With Hitchcock support, Leary, Metzner, Alpert and company established the *International Federation for Internal Freedom* (later to be called the *Castalia Foundation*). These organizations served as a platform for Leary to propagandize for LSD which, he now claimed, could save the world from nuclear perdition by "blowing the mind."

In late November, 1963, just after Leary had returned from Mexico, a phone call came from Mary Pinchot. With urgency in her voice, she insisted on seeing him.



"Oh, you reckless Irishman," She said, " You got yourself in trouble again. It's magnificent, these headlong cavalry charges of yours. *Mais ce n'est pas la guerre.*"

"What'd I do wrong?" Leary says he said.

"Publicity. I told you they'd let you do anything you want as long as you kept it quiet. The plan to set up psychedelic training centers around the country was ingenious from all sides. They would have infiltrated every chapter to get some of their people trained. But they're not going to let CBS film you drugging people on a lovely Mexican beach. You could destroy both capitalism and socialism in one month with that sort of thing," Leary says Mary said.

Leary says he was struck by the brittleness Mary had picked up from ( and here Leary knows of what he speaks, turning admirable phrases in the process): "those stern-eyed business-suited WASPs who shuttle from home to office in limousines – the information brokers, editors, board members, executive branch officials – youngish men with oldish eyes ( faces you used to see around Harvard Square or in the Yale quad), initiated early into the Calvinist conspiracy, sworn to the forever reliable, working for Wild Bill Donovan in Zurich, for Allen Dulles in Washington, for Henry Luce as bureau chiefs and then shuffling from *Newsweek* to the *Post*, manipulators of secret documents, facts, rumors, estimates, arms inventories, stock margins, voting blocs, industrial secrets, gossip about the sexual and drug preferences of every member of Congress, trained to grab and maintain what they can, all loyal to the Protestant belief that the Planet Earth sucks."

Mary was scared. She burst into tears. "You must be very careful now. Don't make any waves. No publicity. I'm afraid for you. I'm afraid for all of us."

Leary tried to calm her, inviting her back to the big house on the estate in Millbrook.

"I know what you're thinking. But this is not paranoia. I've gotten mixed up in some dangerous matters. It's real. You've got to believe me." Leary says she glared at him. "Do you?"

The next call from Mary came the day after the assassination of Jack Kennedy. "I had really been expecting it," Leary says.

He could hardly understand her. He said she thought she was either drugged or "stunned with grief."

Leary says, Mary Pinchot Meyer said, "They couldn't control him any more. He was changing too fast. He was learning too much... They'll cover everything up. I gotta come see you. I'm scared. I'm afraid. Be careful."

That was the last time Leary heard from Mary. He kept waiting for her to call again but she never did. He didn't know what happened to her until he saw an article in *The New York Times*:

### Woman Painter Shot and Killed on Canal Towpath in Capital

Mrs. Mary Pinchot Meyer was a Friend of Mrs. Kennedy; Suspect is Arraigned

Mary had been shot twice in the left temple and once in the chest at 12:45 in the afternoon of October 13, 1964. Dressed in a sweatsuit she had been walking alone, along the Old Chesapeake and Ohio Canal towpath in Georgetown. A friend told reporters that she sometimes walked there with her close friend Jacqueline Kennedy.

Mary's brother-in-law was the Washington bureau chief of *Newsweek*, Benjamin C. Bradlee. It was he who identified her body. The article described Bradlee as having been an intimate of the late President Kennedy. The Times article also mentioned Mary's ex-husband, Cord Meyer, Jr., identifying him as a former leader of the American Veterans Committee and the World Federalists, "now a government employee". The CIA, of course was not mentioned.

Police said that the motive was apparently robbery or assault. Her purse was found in her home. The suspect, a black male, was held without bail.

Distraught, over the news of Mary's death, Leary asked his well-connected friend, Van Wolfe, to see what he could find out. Wolfe had been movie mogul Mike Todd's partner in business and his attractive young wife was a Rothchild. Over the years Wolfe had developed an incredible network of friends in high places.

"...Police intelligence knew all about the Mary Pinchot Meyer case," Wolfe said. "Apparently a lot of people are convinced it was an assassination. Two slugs in the brain and one in the body. That's not the M.O. of a rapist. And a mugger isn't going to shoot a woman with no purse in her hand."

Leary says that he didn't find out what happened until he read an article in the *San Francisco Chronicle* some time later. Leary paraphrases it:

"James Truitt, the source for this sensational story, was identified as a former assistant to Philip Graham, publisher of *The Washington Post*. In interviews with *The National Enquirer*, *Associated Press* and *The Washington Post*, Truitt revealed that a woman named Mary Pinchot Meyer had conducted a two-year love affair with President John Kennedy and had smoked marijuana with him in a White House Bedroom. A confidant of Mary Meyer, Truitt told a *Post* correspondent that she and Kennedy met about 30 times between January 1962 and November 1963, when Kennedy was assassinated. Mary Meyer told Truitt that JFK had remarked, "This isn't like cocaine, I'll get you some of that." Truitt

claimed that Mary Meyer kept a diary of her affair with the president, which was found after her death by her sister Toni Bradlee and turned over to James Angleton, chief of CIA counter-intelligence who took the diary to CIA headquarters and destroyed it. According to the Post another source confirmed that Mary Meyer's diary was destroyed. This source said the diary... contained a few hundred words of vague reference to an un-named friend.

"Mary Meyer's sister was quoted by the Associated Press as saying, "I knew nothing about it when Mary was alive.

"The article," Leary says," also revealed that the former husband of Mary Pinchot Meyer was Cord Meyer, Jr., one of the most influential officials in the CIA -- the only agent who had been awarded the Distinguished Intelligence Medal three times."

Leary frequently smoked marijuana and took LSD himself. His speeches, which were (and still are) addressed to overflow audiences, were tailor-made for true believers in the new drug cult. Leary issued many public statements on the benefits of LSD to the individual and society. Always pretending to be politically naive, he predicted that there would come a day when "a new profession of psychedelic guides will inevitably develop to supervise these experiences."

Finally, in the mid-sixties, Leary coined his famous slogan, "Turn on, tune in, drop out," and spoke at college lectures to the legions of young people who had illegally experimented with LSD and other psychedelic substances. Through magazine interviews, television appearances, movies, records, and books, Leary projected himself as the culture hero of a new generation which was fighting for an individual's right to alter his own consciousness -- a right, Leary then maintained, which was guaranteed by the Constitution of the United States.

A declassified CIA memo dated November 1, 1963 features Dr. Leary, Dr. Richard Alpert and their organization which advocated the expansion of consciousness through psychedelic chemicals, the International Federation for Internal Freedom (IFIF). In alarming tones the memo ordered all CIA groups involved in mind control operations to report if any agency personnel were involved with either Leary or Alpert or IFIF. The responses to this in-house memo have not yet been released by the CIA.

By 1968, society seemed to become divided into those who had taken psychedelic drugs and those who hadn't. Eventually LSD, marijuana, and cocaine were available on street corners and schoolyards throughout the land. The cryptocracy *had* covertly supported Leary and associates, and the snowballing effects of their LSD propaganda now caused an apparent reversal of policy. Was it that LSD and the other psychoactive drugs were politically dangerous in that they suspended the conditioning of people, if only temporarily, long enough to see the lies they

were being fed? Was it that they suspended the conditioning long enough for people to see through the indoctrination of the government, span the credibility gap, and the government propaganda for the Vietnam War? The "acid heads" began to act with visionary fervor. They started to actively criticize the war in Vietnam and call for many social reforms. The "psychedelic revolution" embarrassed the government at every turn.

But if the government didn't deliberately create the "psychedelic revolution," it certainly was responsible for shutting it down. It did this by controlling the availability and quality of drugs. The very underground LSD labs which the CIA had helped set up were raided. Then it wasn't long before the quality of LSD degenerated and the supply dried up. Several studies have shown that when LSD became illegal (October 6, 1966) *pure* LSD became scarce and the habits of the drug culture changed.

Domestic counter-intelligence agencies began to manipulate the press, trying to overcome all the favorable publicity psychedelics had received. A *Science* article run in 1967 which claimed that LSD caused damage to chromosomes proved to be untrue. The article was picked up and carried by *The Journal of the American Medical Association*, which warned of LSD-induced "malformations, fetal loss and mental retardation." This article was widely quoted, even in the sub-culture press. In 1971 *Science* ran a survey of all the available literature, and concluded that LSD did not cause genetic damage.

In 1969 Diane Linkletter jumped from a window to her death. Her father, talk-show host Art Linkletter, blamed her death on the effects of LSD. "It was murder," he said. "She was murdered by the people who manufacture and sell LSD. LSD can kill!" Linkletter got a lot of press and a private audience with President Nixon. In 1982, Linkletter told author Jeremy Alderson that there was never any proof that LSD was involved with his daughter's death.

Rumors in the underground press had it that LSD caused "flashbacks". Psychedelic sojourners of the Sixties are still waiting for those flashbacks to happen. *The Journal of Psychoactive Drugs* did a survey which showed no more "flashbacks" from those that had taken LSD than from those who practiced yoga or other forms of meditation.

But, simultaneous with the negative press about LSD, the supply began to dry up, and large supplies of heroin mysteriously became available. It was strong heroin, imported from the Golden Triangle in Southeast Asia (largely under CIA control). Many young people who had their "consciousness expanded" too far to distinguish between one drug and another turned to heroin. The government-inspired hysteria over drugs led many to think, "Well, they lied to us about pot, they must be lying about heroin." And so when psychedelics were no longer easily obtained, and heroin was, many young people became addicts.

The political visions of the psychedelic generation faded, as many who had "turned on" dropped out of city life and fled to the country. Those who stayed in the cities followed Leary's advice and dropped out from participation in the main stream of the society. Many of them followed an alternate route in the American tradition by living as pushers and bootleggers, making large sums of money from the newly created demand for illegal drugs.

In 1958, Dr. Louis Gottschalk, the CIA's "independent contractor," had prepared a think tank report which suggested that the intelligence agencies might control people through addiction.

Presaging the cunning behind the unwinnable "War on Drugs," Gottschalk's report put it this way: "The addiction of a source to a drug which the interrogator could supply, obviously would foster the dependence of the source on the interrogator. Where the source was addicted previous to the situation, the interrogator might find, already established, a pattern of evasion of laws and responsibilities which the addict had developed to meet his need for the drug in a society which proscribes its use."

The report went so far as to recommend that wounded GIs who had become addicted to pain-killing drugs be recruited from hospitals. It stated: "Where the source had become addicted in the setting as a sequel to the treatment of injuries, the ability of the interrogator to give or withhold the drug would give him a powerful weapon against the source..."<sup>25</sup>

In the late sixties, when it became known that thousands of GIs serving in Vietnam had become addicted to Laotian heroin, the U.S. Bureau of Narcotics tried sending a team of agents to Laos, but its investigations were blocked by the Laotian government, the State Department, and the CIA. While the Laotian government's hostility toward the bureau is understandable, the reticence shown by the American government and the CIA requires some explanation. According to U.S. narcotics agents serving in Southeast Asia, "the Bureau encountered a good deal of resistance from the CIA and the Embassy when it first decided to open an office in Vietnam..." Did this policy bear some relation to Gottschalk's think-tank statement, made some thirty years earlier -- to create an army of drug dependent people who could be controlled by their suppliers -- in this case the CIA?

The CIA also contributed indirectly to the heroin traffic by training men who then turned to smuggling. In the 1974 Pulitzer Prize-winning study of the heroin trade by the staff and editors of *Newsday*, it was revealed the U.S. Bureau of Narcotics and Dangerous Drugs (BNDD) agents in Miami cross-checked a list of men who landed at the Bay of Pigs against police records. They found that at

---

<sup>25</sup> Gottschalk, *op.cit.*

least 8 percent of the 1,500-man CIA-trained force had subsequently been investigated or arrested for drug dealing.

"If it hadn't been for their CIA training," one BNDD agent was quoted as saying, "some of these might never have gone into the [smuggling] business." He added that their training in paramilitary operations, weapons use, and smuggling of equipment and men from one place to another is well suited for illegal drug importing.

The head of the Office of Strategic Intelligence at BNDD, John Warner, said, "The key to heroin trafficking is the principle of compartmentability. It's the same way the CIA operates. Most people don't know what the whole project involves; most just know their particular job."<sup>26</sup>

Former CIA agent, Victor Marchetti was reported as stating "The CIA is implicated in the drug traffic in several countries. The Mafia, thanks to the CIA, has a free hand in the vast opium traffic from Turkey through Italy to the United States."<sup>27</sup>

On July 19, 1975, Sen. Charles H. Percy, (R., Ill.) released a letter charging that the CIA had the Justice Department drop a drug case to protect its own involvement in drugs. Percy's letter said that the CIA refused to give federal prosecutors evidence in a case against Puttaporn Khramkhruan, a CIA employee, and one other person. Percy complained that "apparently CIA agents are untouchable -- however serious their crime or however much harm is done to society."

The senator's letter said he had written the Justice Department to find out why charges were dropped against the two men, who were allegedly attempting to smuggle fifty-nine pounds of opium into the United States from Thailand. The reply he received, from Deputy Assistant Attorney General John C. Kenney, stated that CIA Associate General Counsel John Greany had "insisted that there were other considerations at stake and that the material sought by the prosecutors would not be turned over." Kenney said Greany had explained that if Khramkhruan and his associate went on trial, "the situation could prove embarrassing because of Mr. Khramkhruan's involvement with CIA activities in Thailand, Burma, and elsewhere."

The CIA knew that heroin causes no "consciousness expansion." It brings on a physical feeling, a warm, glowing "high," and then dullness and insulation. But the government was interested in behavior control, and heroin, like LSD, was an important tool in gaining such control.

While some clandestine agencies of government were busy distributing drugs to pleasure-seeking underground America, in the laboratories they were studying

---

<sup>26</sup> Alfred W. McCoy, Cathleen B. Reed, and Leonard P. Adams, *The Politics of Heroin in Southeast Asia* (New York, Harper, 1973)

<sup>27</sup> Victor Marchetti, *Freedom News Service*, August, 1976.

drugs for their capacities to provide access to the mind for purposes of behavior control. Seeking the perfect "incapacitating agent," army chemists at Edgewood Arsenal came up with a drug known as "BZ" whose effects were ten times more powerful than LSD. Described as a hallucinogenic "superdrug," BZ was said to be so powerful that a person who took it often experienced amnesia for long periods of time afterwards.

To test its effects BZ was given to 2,490 "volunteers." Gen. Lloyd Fellenz, former commander of the Edgewood facility, said that the purpose of the BZ experiment was to produce an incapacitating gas (sprayed from the sky as in the film *Jacob's Ladder*) or drug which could be placed in an enemy's water supply.

Dr. Solomon Snyder, professor of psychiatry and pharmacology at Johns Hopkins University Medical School, had formerly worked at Edgewood. "The army's testing of LSD was just a sideshow compared to its use of BZ," Dr. Snyder said. "Nobody can tell you for sure it won't cause a long-lasting effect. With an initial effect of eighty hours, compared to eight hours for LSD, you would have to worry more about its long-lasting or recurrent effects."<sup>28</sup>

Dr. George Aghajanian, who had also worked at Edgewood, confirmed Snyder's opinion. "With LSD," Aghajanian explained, "you tend to dwell on the experience and recall it and that can lead to flashbacks. But with BZ *an amnesia occurs afterwards that blocks the experience out.*" [Emphasis added.]<sup>29</sup>

Predicting the course of future events, Gottschalk's report stated: "the volume of effort devoted to studying the behavioral effects of drugs has expanded tremendously in recent years and will probably continue to grow. In part, this may be attributed to the ready financial support such activities have achieved. The interest of scientists in employing drugs in research, however, transcends an interest in drug effects, per se. Drugs constitute valuable tools for experimentation directed toward developing basic physiological and psychological knowledge. Work by scientists in several such areas, in particular, will increase knowledge of drugs which may be exploitable by interrogators."

Gottschalk's conclusion was that "drugs can operate as positive catalysts to productive interrogation. Combined with the many other stresses in captivity that an individual may be obliged to undergo, drugs can add to the factors aimed at weakening the resistance of the potential informant... But for many reasons, the use of drugs by an interrogator is not sure to produce valid results. The effects of drugs depend to a large extent on the personality makeup and physical status of the informant and the kind of rapport that the interrogator is able to establish with the informant. Knowing the predominating pharmacologic actions of a number of psychoactive drugs, an interrogating team might choose that

---

<sup>28</sup> Solomon Snyder, *Zodiac News Service*, July 29, 1975

<sup>29</sup> *Washington Post*, July 25, 1975.

chemical agent which is most likely to be effective in view of the informant's personality, physical status and the various stressful experiences he has already undergone...<sup>n30</sup>

This study and subsequent ones verified the fact that a number of drugs could conveniently be used to take over the human mind against the will of the individual. Through the use of drugs, the skilled mind controller could first induce a hypnotic trance. Then, one of several behavior modification techniques could be employed with amplified success. In themselves, without directed suggestions, drugs affect the mind in random ways. But when drugs are combined with classical conditioning and the language of hypnosis, an individual can be molded and manipulated beyond his own recognition.

The government's interest in controlling minds and motivating involuntary behavior was focused not only on individuals but also on large groups. Mass hypnosis and "crowd psychology" were well-known phenomena, and to that end propaganda techniques had already been developed. But mass "narcosis" was a new concept out of which grew the idea of "nonkill" warfare, where vast populations could simultaneously, or in one action, be drugged into submission.

In 1961, in an appearance before the Subcommittee on Science and Astronautics of the House of Representatives, Maj. Gen. Marshall Stubbs, head of the Army Chemical Corps, gave a speech cautioning that "we have not gone far enough in our research on these incapacitating compounds to be confident that they have real potential in warfare. We do not want to exaggerate claims for them to create the impression that we are on the verge of bloodless war."

General Stubbs admitted, "We are attempting to completely separate the incapacitating agents from the lethal agents so that any castigation normally given to toxic agents will not be associated with them, since they do not maim or kill. As a result we hope to have a weapon which will give the commander much freer rein in its use as compared to the toxic agents. It is my hope that through the use of incapacitating agents, the free world will have a relatively clear and rapid means of both fighting and deterring limited war, which has come to the forefront in the international political scene in the last several years. It is one means by which we can maintain some degree of equality in the face of overwhelming manpower superiority of the Communist-dominated nations."

One idea consistently expressed in the utterances of government employees was the idea that "we must beat the Commies to the punch." To that end the army launched a crash program investigating nerve gases, riot control gases, defoliants, herbicides, and biological agents such as anthrax, Rocky Mountain spotted fever, and bubonic plague. It also developed what it called "harassing agents" -- chemicals that cause headaches, vomiting, and severe pain.

---

<sup>n</sup> Gottshalk, *op cit.*



The idea was that one saboteur would be able to carry enough in his pocket to temporarily incapacitate the population of a city the size of New York. A two-suiter piece of luggage could hold enough drugs to disable every man, woman, and child in America. Most of the drugs the government experimented with were odorless, colorless, and tasteless and therefore undetectable. They were easily soluble in water, and only slowly would they lose their potency in chlorinated water supplies. Food which came in contact with these chemicals remained contaminated for days unless thoroughly washed. The inhalation of particles of these drugs suspended in the air produced the same effects as ingestion. Dissolved, they could penetrate the skin and enter the bloodstream without having been ingested.

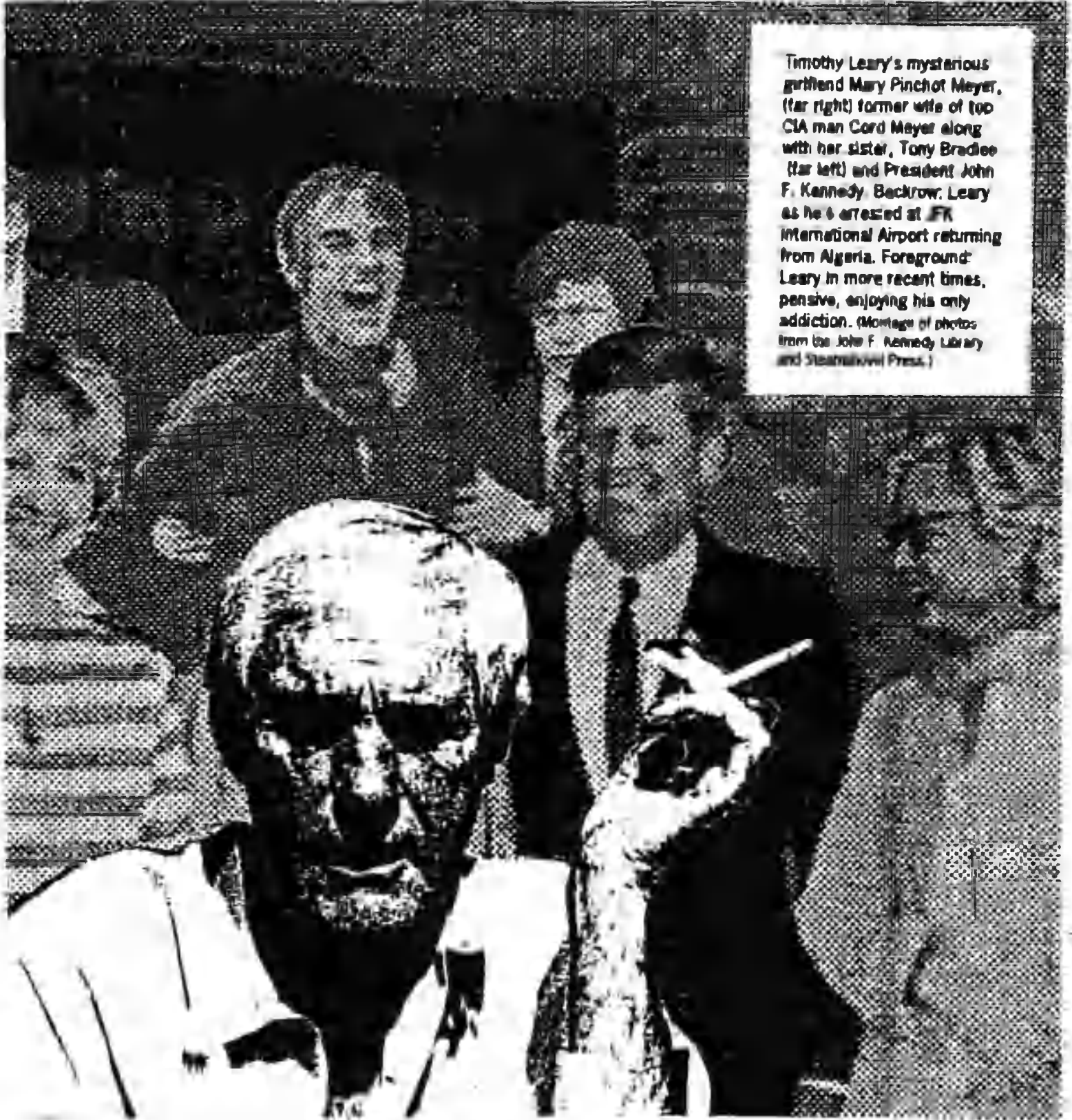
The army assumed that a city exposed to such chemical attack would cease to function, the inhabitants so confused by the "trip" that the army could march into the city and take over, facing only minimal resistance. And the next day, the populace would return to normal consciousness and be fit to work for the occupying army.

To test their assumption, the army gave a squad of soldiers LSD in coffee without their knowledge. After the drug effects began the soldiers were ordered by their sergeant to perform normal and routine tasks while they were being filmed by a hidden camera. They could not follow even the simplest command nor accomplish the most ordinary task with an acceptable degree of competency. Two of the men simply giggled helplessly throughout the entire afternoon. As the platoon sergeant was not a coffee drinker, he did not receive the drug. Neither had he been told about the test. Accordingly he grew more and more frustrated and perplexed as his men acted more and more erratically.

Further studies indicated, however, that in actual warfare things would not be that easy. Urban populations spend relatively little time out of doors. Since most of these drugs settled out of the atmosphere quickly and did not pass through air-conditioning systems, they would therefore not affect everyone. If the water supply were lightly laced with a psychedelic, an individual would have to drink a pint of tap water before being affected. The concentration could be made heavier, enough so that one would only have to brush his teeth or wash his face before getting "high," but with concentrations that large, even an infant's formula or a cup of tea would be a dangerous poison.

Further, those exposed to minute amounts of these "incapacitating agents" might be able to fight off the symptoms. Those heavily dosed would suffer enormous mental distortions and could become wildly irrational. Mildly intoxicated persons might go about as if in a normal state, unaware that their judgment and motor skills were impaired. The resulting number of accidents would be monumental.

The army pretended to shelve its plans for "nonkill" warfare. But the major obstacle, as they saw it, was only the drugs. It was not that they might kill the enemy, but that as *of yet the army was unable to immunize its own troops against drug effects.* Not until 1975 was a reliable LSD antidote developed.



Timothy Leary's mysterious girlfriend Mary Pinchot Meyer, (far right) former wife of top CIA man Cord Meyer along with her sister, Tony Bradlee (far left) and President John F. Kennedy. Beckrow. Leary as he is arrested at JFK International Airport returning from Algeria. Foreground: Leary in more recent times, pensive, enjoying his only addiction. (Montage of photos from the John F. Kennedy Library and Steamship Press.)

## THE GUINEA PIG ARMY

**I**n June, 1975, it was revealed publicly for the first time what many had suspected -- that the CIA and a number of government agencies under its direction had actually been giving behavior-influencing drugs to citizens within the United States for more than twenty years.

I was in Washington at the time, searching the catalogue card files at the National Technical Information Service. A previous search by friends in military intelligence of the M.I. Classified Index had revealed nothing but peripheral references to the object of my study: government research in drugs, hypnosis, behavior modification, and related subjects.

The NTIS file is supposed to contain a complete numerical listing of all government contracts, by contract number, whether or not they are classified. The contract cards were indeed numbered in consecutive order, but the ones I was looking for were missing; the index simply skipped over them and continued on in numerical sequence. Other cards in the index were marked "classified," and I would not have been able to obtain the papers to which they referred. But the reports I was looking for were not even cited in the index, although references to them in scientific journals indicated that they had once existed. Classified or not, these documents had been removed from the record.

That afternoon press accounts of the *Rockefeller Report to the President on CIA Activities* said, "Beginning in the Late 1940s, the CIA began to study the properties of certain behavior-influencing drugs (such as LSD) and how such drugs might be put to use in intelligence activities."

Further, according to the report, "The primary purpose of the drug program was to counter the use of behavior-influencing drugs clandestinely administered by an enemy, although several operational uses outside the United States were also considered."

The Drug program," the report went on to say, "was part of a much larger CIA program to study possible means for controlling human behavior. Other studies

explored the effects of radiation, electric shock, psychology, psychiatry, sociology, and harassment substances."

As it would do two years later, the press played up the drug angle and ignored the other experiments. The CIA had been actually experimenting with all kinds of mind-control techniques for twenty-odd years.

It gave me little comfort, but it reaffirmed my sanity, to read in the report that "unfortunately only limited records of these drug programs are now available. All the records concerning the program were ordered destroyed in 1973, including a total of 152 separate files."

As I left NTIS, George Orwell's prophecy in *1984* came to mind: "Who controls the past controls the future. Who controls the present controls the past." How long would it be before our society would perfectly mirror that state Orwell envisioned when he said; "All that was needed was an unending series of victories over your own memory. 'Reality control,' they called it... 'double-think.'"

In Orwell's book *1984*, the government continually changed its past by creating new historical fictions to justify its present. In 1975 I was wondering if we hadn't already gone beyond 1984, where, as Orwell said, "truth is falsehood," and "ignorance is strength."

Five days after the Rockefeller Report was released, the public flap began. The children of Dr. Frank Olson were informed by the DIA that their father had been the individual the Report cited as the "employee of the Department of the Army who was given LSD without his knowledge while he was attending a meeting with CIA personnel working on the drug project." Olson had died when he fell, jumped or otherwise exited from a twelfth-floor hotel window in New York, while still under the influence of what was then billed as the most powerful mind-altering drug known to man.

For twenty-two years the cause of Olson's death had been concealed. His family had been led to believe that he had committed suicide because of a mysterious, unexplained "mental breakdown." At no time after Olson's death was his family offered a true explanation of the real circumstances which had caused it.

Eric, the eldest son of Dr. Olson, said, "I'm very angry at the CIA because they let us grow up thinking our father had inexplicably committed suicide," Young Olson said that his family had decided to sue the government, not only out of desire to collect monetary damages but because "we think there's more information involved in this. It's also a way of holding the CIA publicly accountable for what they did."

The Olson family discovered that an individual damaged while in government employ cannot sue the government. But this didn't stop them. They asked the

Senate to vote them a special bill of recompense for the death of the head of their household. On May 18, 1976, the full Senate approved S.B. 3035 by voice vote and sent it on to the House. Senate Bill 3035 specifically authorized appropriations totaling \$1.25 million to be paid to the Olson Family. The House of Representatives, being more conservative at the time, cut the Senate's generous award and the Olson family eventually received only \$750,000. A similar case, tried in civil court, might have brought the Olson family as much as three million dollars.

Months before Olson plunged to his death, Harold Blauer, a professional tennis player, died after being given repeated doses of experimental psycho-chemicals by the army at New York State Psychiatric Institute in New York City. For years the Blauer family had been trying to no avail, to find out the true cause of Harold Blauer's death. In the wake of the Olson scandal, the army relaxed its cover-up and finally surrendered Mr. Blauer's medical file to his daughter, Mrs. Elizabeth Barrett.

The chemical identities of the drugs he had received were not given; the drugs were listed only by number. The numbers were said to represent various hallucinogens, but because of "national security" it has never been revealed what the chemicals were that killed Harold Blauer.

The crucial part of the army's medical report stated: "Prenarcosis: -- apprehensive -- considerable persuasion required-- injection administered at 9:53 a.m.; postnarcosis: -- 9:59, subject so restless has to be restrained by nurse -- out of contact with reality -- arms flailing -- sweating profusely; 10:01, rapid oscillation of eyeballs; 10:11, body rigid all over, 10:15, stimulant administered; 10:20 to 11:45, deep coma; 11:50, artificial respiration administered; 12:15, doctor pronounces subject dead; 12:30, hospital authorities notified; 3:30, body transferred to city morgue."

Harold Blauer died without ever knowing what drug he received. And from the words in the report -- "considerable persuasion required" -- it looks as though he hadn't volunteered, either.

Both Blauer's and Olson's deaths were covered up by the excuse of "national security." Their families were deliberately misled about the cause of death. No monetary compensation was offered except for the pensions or allotments due the families under normal circumstances.

In the wake of these personal tragedies, increasing public pressure led other government agencies to make their confessions. The army announced that since 1956 it had tested LSD on nearly 1,500 unwitting servicemen, and on several thousand more volunteers, a total of 6,940 in all. At the same time the army made this disclosure, it requested permission from the Defense Department to

conduct further tests with at least two new drugs -- drugs which were many times more powerful than LSD. Permission was granted with the stipulation that the "guinea pigs" be volunteers only.

Within days of the army's admission of drug testing, the Department of Health, Education and Welfare revealed that it had administered LSD to about 2,500 prisoners, mental patients, and paid volunteers between 1954 and 1968. HEW said further that it had given seven and a half million dollars in grants to more than thirty university researchers who independently ran LSD tests on human subjects.

What was not revealed until much later was that the CIA had used every possible military and civilian agency of government, as well as a number of universities and private research groups, to test LSD and other drugs, plus a whole array of psycho-technologies in an all-out search for reliable methods of controlling the human mind.

But the CIA's record was pretty good; for out of all the thousands of individuals who were given LSD or other drugs without their knowledge, only three are known to have died.

In 1955 a new drug-testing program was begun at the Edgewood Army Chemical Center. Volunteer soldiers were recruited but were not told what drugs they would be given, nor that men had died as a result of similar experiments. They were told they'd suffer only temporary discomfort. Seven thousand soldiers underwent the Edgewood Arsenal's tests. Five hundred eighty-five men were given LSD; the rest were administered other unspecified drugs.

Dr. Gerald Klee was one of the first psychiatrists to work on the drug-testing program for the army. When questioned by television crews as to how the volunteers had been recruited, he said that he didn't really know. They had come from all over the country, believing only that they were going to the Chemical Center to be used as subjects in chemical experiments.

"Most of them were not highly educated, and even if they had been told exactly what they were to be given, they wouldn't have understood it," Dr. Klee said. "The advantage to them was time off to get away from some place they didn't want to be, to be near their family, girlfriends, whatever, and they had a pretty good life while they were there, as a matter of fact. They spent very little of their time in the experiments and had a lot of free time..."

Wendell Queen was an army sergeant in 1964 when he volunteered for the drug experiments at Edgewood. Years later, when the Olson case was made public, Mr.

Queen tried to find out what drugs he had been given. He ran into a wall of security. The army stated that it had no record that he was ever given drugs.

But Sergeant Queen remembers differently. He had been given a drug that penetrated his skin, not through injection but simply by being placed on his arm with an eye dropper. "They just took a small drop and put it on my arm and my arm became inflamed and kinda itchy, something like a bad mosquito bite," he said. He was not told what drug it was. He was told only that the effects would be temporary.

Several hours afterwards, he began to float. "I began to feel kinda happy and the room started turning around," Sergeant Queen related. "I had lost all my senses. I had no sense of balance or sense of the environment around me... Later on that night I really got paranoid and if anybody would come close to me I would think that they were going to kill me..."

Sergeant Queen had "flashbacks" for several months after that experiment when he would relive the states of mind he had experienced on that day.

"My roommate told me later that one night I woke up screaming and hollering 'don't kill me, don't kill me.' He said I became so violent that I began tearing my bed up," Sergeant Queen said.

Sergeant Queen remembers that at Edgewood he tried making a joke about being a human guinea pig. The medic administering the test didn't appreciate his sense of humor. "He said that the doctors were the only human guinea pigs around there because they took every new drug first. he said that they always got a bigger dose than anyone else ever did."

According to the army, their LSD testing program came to an end in 1967. An army spokesman promised a follow-up study on the 585 men who had been given LSD, but actually carried it out with only thirty-five officers -- and superficially, at that. Still, the army maintained that there had certainly been no LSD since Olson and Blauer. Once again it was not telling the whole truth.

George Danald, a colonel at the Army Chemical School in Fort McClellan, Alabama, agreed to become a guinea pig in 1959. He believed in progress, and he believed that without experimentation and research there could be no progress. Thus, when the opportunity presented itself to him, he readily submitted to an injection of what was said to be LSD.

Immediately after he took the drug, according to his wife, "his overall characteristics seemed to change, his attitude changed, mannerisms changed, and I'm sure a great deal more that I didn't notice at the time."

A year after Colonel Danald's psychedelic experience he was transferred to Edgewood Chemical Center. Every day it was his habit to pick up his daughter Dawn promptly after school. One day he didn't meet her and Dawn walked to the Officers' Club looking for him. His car was in the parking lot, so assuming her father was inside, she went into the club and asked if anyone had seen him. When nobody seemed to remember that he'd been there that day she went up to their apartment on the floor above and knocked on his door. There was no answer, so she went in. The sitting room was littered with papers. She walked into the bedroom and noticed that the twin beds were apart. When she turned on the lights, she saw her father's body slumped at the foot of the bed.

In shock, she went to her room next door and telephoned her mother, who was at work. "Mommy, I found Daddy," she said. "He's on the floor and he looks awful white."

Colonel Danald had been dead for five hours when Dawn found him. He had taken his own life by putting a .25 caliber bullet through his temple. The pistol was still in his hand.

Colonel Danald did not have a history of mental instability. Until the time of his experience at Fort McClellan, he had never had a depressed moment. The only clue his family had to his apparent mental anguish was that, a few months before he died, he had once threatened to kill himself in a family argument. No one had paid any attention to that since he had been such a stable person in the past.

Mrs. Danald believes that her husband's death was caused by the mind-bending effects of the experiment, but she has so far been unable to prove her case. She and her family have received no compensation except the benefits which would normally accrue to a lifetime army officer.

Mary Ray was a research assistant at a psychiatric hospital which held military contracts to test LSD from 1958 to 1969. She helped doctors conduct experiments on more than 900 people. Some of them were mental patients. In 1966 she offered herself for LSD testing. Her description is typical of a "burn trip."

"I was in a state of becoming the universe. I became objects," she said. "I was no longer a person. Then, I got to a state of absolute terror. The closest thing I can remember being like that was as a child, when I was given ether... it was the feeling like just before losing consciousness."

But Mary was able to bring herself back from the LSD void: "I realized that I was a person, out of this billowing black seething weirdness, this horror..."



"I looked down and I saw my arms which were two white rivers with black threads and they were my veins. I realized that, and I felt that if I tried really hard, somehow I could sever the veins. I realized even though I was not really a person that I could end all this living nightmare, this hell, by cutting my veins.

"Then I concentrated on this problem for what seemed centuries, because time did not exist. It was a strange time distortion. I tried desperately to try to kill myself. There is no question in my mind, that if I'd had some sort of sharp instrument, and if I were alone, I would have killed myself..."

The doctors and medics were helpless. "No one seemed to know how to handle the situation. No one knew what to do. It seemed like they were kids playing scientists."<sup>31</sup>

Mary Ray reported no amnesia, and no recurring after-effects. She never felt another overwhelming compulsion to commit suicide, nor any compulsion to keep her experience secret.

In June of 1958, William F. Chaffin was a sergeant in the U.S. Air Force, stationed at Dover Air Force Base in Delaware. He had been a basic training instructor in biological, chemical, and radiological (CBR) warfare earlier in his career and thought, when he read the bulletin offering volunteers a thirty day tour of duty at Edgewood Arsenal, that it would be easy duty. It would be a nice break in his dull routine and a thirty-day leave at government expense. He assumed that he'd be involved in a program much like the one he'd taught in basic military training on chemical and biological warfare tactics and defenses.

On September 10, 1975, before a joint session of the Senate Subcommittee on Health and the Senate Subcommittee on Administrative Practice and Procedure, Chaffin testified to the *lasting* effects of his volunteer tour of duty at Edgewood. He told the committee that upon his arrival at Edgewood, he was placed in a barracks with approximately thirty other volunteers. Daily, some of the volunteers were taken to various points on the base, given gas masks, and used in experiments involving DDT and other relatively mild chemicals. But at first Chaffin was simply ordered to report to a certain station each morning and then he would be released for the remainder of the day to pursue his own interests.

Today Chaffin cannot say with any certainty how long this procedure went on. He can't remember whether he was there for one week, two weeks, or three weeks, before he was actually used in a test.

"At some point around the middle of the month of July [1958]," Chaffin told the committee, "myself and four or five other individuals were taken to a hospital on

---

<sup>31</sup> Mary Ray, Documentary "Guinea Pig Soldiers," Granada Television Ltd.

the base. We were, at that time, taken into a room and a psychologist or psychiatrist -- I cannot remember which -- who I believe was associated with the University of Maryland, informed us that we would be administered a drug or a substance in distilled water. We were further informed that this drug or substance would be odorless, tasteless, and colorless. We were asked to perform certain tests prior to the ingestion of the substance. My best recollection of these tests is that we were simply asked to estimate certain amounts of elapsed time by any means other than a watch or clock. We were then taken back to our various wards and a short time thereafter, I was given a beaker of colorless, odorless, and tasteless substance by an orderly or an attendant.

"I have no recollection whatsoever that I was informed of the nature or qualities of the substance. Certainly, no reference was made to any possibility of detrimental psychological or physical effects on myself, or my future family, by taking of the substance.

"I cannot estimate adequately the length of time that elapsed after I took the drug until I first began to notice the effects, but my best recollection is that it was in the nature of one-half hour.

"At that time, I remember being taken back to the psychiatrist or psychologist and again asked to estimate various lengths of time by any means except observing a clock or watch. It is extremely difficult for me to describe adequately what occurred in the next hours of that day. I have to this day, distinct recollections of vivid and colorful events that made no sense whatsoever to me. I have distinct recollections of either myself hallucinating or other individuals hallucinating and imagining that they were seeing certain objects and things. I do not recall if they were in fact hallucinating, or if I was simply imagining they were.

"I was obsessed with a feeling that I can only describe as utter and total depression. I don't think these words adequately convey the meaning of that which I experienced, but I simply do *not* have the words to set forth the occurrences of that day.

"Later, I was released from the hospital. I cannot recall if this was after a period of twelve hours, twenty-four hours, or thirty-six hours or more. It is simply impossible to adequately determine what lengths of time elapsed."

Shortly thereafter, Chaffin returned to his base. His life returned to its usual routine, but for some reason, he found it extremely difficult to talk to anyone. He could not even bring himself to tell his wife about his Edgewood experience.

"Since that time," Chaffin said, "I have experienced what I believe to be LSD flashbacks on at least three separate occasions. The feelings that encompassed me on those three different occasions were again what I can only describe as a total depression accompanied by a nearly uncontrollable desire to take my life..."

*(Extensive research has shown that there is no more chance of flashbacks with LSD than with alcohol.)*

"After Chaffin's return, his wife became pregnant. In November of 1958, she miscarried. The Chaffins' doctor informed them that in all likelihood the fetus had been deformed. "I do not know at this time if this was attributable to LSD which I was administered at Edgewood, Maryland, or not. We do not at this time know if various other problems which have arisen in one of my children are directly attributable to LSD or not. Conversely, we do not at this time know that there is no relation.

Actually there is no scientific evidence that ingestion of even large amounts of LSD-25 can cause genetic malformation. There is only evidence that if laboratory animals and eggs are saturated with a pure concentration of LSD, chromosomal damage can occur. Dr. Jolyn West did manage to kill an elephant with a huge dose of LSD at Oklahoma University, but that's about as far as the lethal studies ever went.

"After the ingestion of the substance in July of 1958," Chaffin said, "*my personality and behavior began to change* [emphasis added]. After seven years of marriage, I was certainly not an individual that tended to depression. However, after an ingestion of LSD, I have undergone, as I mentioned earlier, several occasions of the same total and extreme depression that occurred when I was given the LSD initially. Additionally, my wife has related to me one incident that occurred and which I have no recollection of whatsoever. This incident involved my actually taking a gun and attempting to leave our home for the purpose of taking my own life."

Then Chaffin told the Joint Committee, "I would like to state for the record that I believe that the United States Air Force was always extremely fair to me in my military career. I enjoyed my military career and consider myself to be a loyal member of the United States Air Force, retired. I must also state that the trauma that I have undergone as a result of being surreptitiously administered this drug is something I consider to be totally out of keeping with my concept of the service. I can only hope that the Committee will take every means available to make sure that the other individuals who were administered LSD receive notification and help."

Army records show that William Chaffin was given a drug known only as EA1729. On August 5, 1975, after the Olson disclosure, Chaffin wrote a letter to the army stating that he thought he might have been given LSD. He requested the medical follow-up the army had promised. Michael V. Johnston of the Army Surgeon General's office responded to his letter. "In checking our records" Johnston wrote, "we find that you did receive LSD in the army research program. Medical consultants in the Office of the Surgeon General are now making plans for a

follow-up study of persons who took LSD. You will be contacted within the next two months and invited to be examined..."

Chaffin was called in for a physical subsequently but he feels the examination was inadequate. He has only the army's word that the drug he received was LSD. Probably it was not. LSD is not known for its abilities to induce amnesia, to cause depression, or to place a lock on the tongue. If anything, LSD could be used in interrogation to loosen the mind and the tongue.

Until that day in Edgewood, William Chaffin had always had a firm grip on reality. Either he was given one of several drugs far more powerful than LSD, and with different properties to affect the mind, or he was given LSD and put through some extreme behavior modification procedure which programmed him to remain silent, and later, after his connection with the Edgewood experiment had been severed, to wish to take his own life.



Tennis pro, Harold Blauer on his ass in happier days, before he was 'persuaded' to take an "experimental" CIA drug which killed him.

## THE MKULTRANS

**F**ollowing the release of the Rockefeller Report, John D. Marks, author and former staff assistant to the State Department Intelligence Director, filed a Freedom of Information Act appeal on behalf of the Center for National Security Studies requesting documentation from the CIA. I filed an identical request at about the same time. Marks and I both requested documentation for the evidence cited in the Rockefeller Report on the CIA's mind-control activities conducted within the United States.

Seven months later, Marks was given more than 2,000 pages of top-secret and "eyes only" documents by the CIA's Information Review Committee. A short time later I began to receive what Marks had gotten. These pages were said to be the bulk of the information upon which the Rockefeller Commission had based its report.

Exempted from release were portions of or entire documents which contained information said by CIA officials to pertain to "intelligence sources and methods which the Director of the Central Intelligence has the responsibility to protect from unauthorized disclosure pursuant to section 102 (d) (3) of the National Security Act of 1947." But in the photo-copied pages obtained was a statement to the effect that within a few hours of his resignation (forced by the disclosures of the Watergate and Church Committees), Director Richard Helms ordered the records shredded and burned.

The remaining documents, which were judged by the CIA to be "safe" to keep for subsequent release were all highly sanitized. They contained few names of participating individuals or organizations and none of the details of the long-range experiments designed to mold and control the minds of American citizens.

In addition to offering a superficial review of the CIA's involvement in research on mind control, the documents Marks obtained gave the Agency's own officially censored version of what had happened to Dr. Frank Olson.

According to the CIA, at a "liaison conference" with Fort Detrick personnel at Deep Creek Lake, Maryland, on the eighteenth and nineteenth of November, 1953, Dr. Olson and seven other men were given LSD in glasses of Cointreau, an orange-flavored liqueur. The unsuspecting "guinea pigs" were told twenty minutes later that they had been given LSD.

Olson suffered "serious aftereffects," and later the same day, he was sent, at CIA expense to New York City with an escort, Dr. Robert Lashbrook. There he was taken to see a psychiatrist, Dr. Harold A. Abramson. After five days of observation and treatment, Dr. Abramson decided that Olson had to be hospitalized. Arrangements were made for his admittance to a private sanitarium near Rockville, Maryland.

Following that consultation with Abramson on November 22, Olson and Lashbrook returned to their rooms at the Statler Hotel and retired for the evening. At 2:30 a.m. the next morning, Lashbrook was awakened by a loud crash. According to the "eyes only" investigation report, he went into Olson's bedroom and found him missing. The window, "glass and all," and the blinds were also missing. Lashbrook assumed that Olson had dived through them.

Before Lashbrook notified the hotel desk he called Dr. Sidney Gottlieb, the chief medical officer of the CIA drug project, and informed him of Olson's fate. Lashbrook then called the desk man who called the police.

When the police from the Fourteenth Precinct arrived, Lashbrook told them that Olson was employed by the U.S. Army. He also told them that he, too, was a government employee and a friend of Olson's, but nothing else. Police, however, found Lashbrook in possession of government identification, including a CIA badge, and made note of this identifying data. The CIA and the Department of Defense quickly took over liaison with the police and succeeded in covering up the cause of Olson's "suicide."

Three months later, CIA Director Allen W. Dulles wrote three notes of reprimand and sent them to the chiefs of the Technical Services Staff, Technical Operations and Chemical division. The "eyes only" reprimand to the Chief of the Chemical Division said, "I have personally reviewed the files from your office concerning the use of a drug on an unwitting group of individuals. In recommending the unwitting application of the drug to your superior, you apparently did not give sufficient emphasis to the necessity for medical collaboration and for proper consideration of the rights of the individual to whom it was being administered. This is to inform you that it is my opinion that you exercised poor judgment in this case." It was signed, "Sincerely Allen W. Dulles, Director."

In 1975, President Gerald Ford apologized to the Olson family on behalf of the government and made a monetary settlement. The Olson case was also the

subject of congressional investigations and a government-appointed commission, which found that there was no evidence of homicide.

There was no change of operations. The research on mind control continued unabated. The coverup continued. The official story was Olson fell, but the family of Frank Olson always suspected that he was pushed because he had become a security risk. According to his son, Eric Olson, the normally cheerful researcher sank into a deep depression after the CIA slipped acid into his drink. He told his wife he had made a "terrible mistake" and wanted to quit his job. Nine days later he was dead.

Eric Olson, is now a psychologist who has access to any number of people working within the cryptocracy. In 1994 Eric and his brother, Nils, had the 40-year-old remains of their father exhumed. The body was found in a "mummified" condition. The CIA said that it had no reason to think that Olson's death was a homicide, but the sons had the body sent to the nation's top forensic pathologists who would try to determine if Frank Olson was dead before he hit the New York City pavement. "It's been a pressing question for me all the time and the questions certainly were not laid to rest with the CIA story in 1975," Eric said.

"The remains are in exceedingly fine condition and that's attributable to the embalming done in New York and to the container," said James E. Starrs, professor of law and forensic sciences at George Washington University. "We have remains that are in mummified condition. We even have the opportunity to get fingerprints."

Forensic experts analyzed hair, brain tissue, fingernails and bones for injuries not attributable to the fall, Starrs said. They looked for toxins and drugs, including LSD and other hallucinogens. The chairman of the behavioral science department at York College, Dr. John S. Levisky, examined the skeleton.<sup>32</sup>

Starrs found new forensic evidence which suggested that Olson may have landed on his feet shattering both legs and causing massive internal trauma that would have led to death in minutes.<sup>33</sup> But, curiously, Starrs found "so many fractures in the skull that it is not possible that he received this type of injury simply from falling out of a window... It would not be possible unless he were on a trampoline. You don't bounce around like that; when you hit pavement, you hit pavement." Starrs also found no evidence of cuts from smashing through the glass window which were reported in the original autopsy. Starrs characterized the new evidence as "sinister," but decided (as of September 1994) to hold off his concluding remarks pending toxicological results and a final inquiry.

---

■ Associated Press, *Los Angeles Times*, "Body of Man in 1953 LSD Test Exhumed", June 10, 1994.

■ Terry Allen, *CIA Disposal Problem*, *Covert Action Quarterly*, No. 50, Fall 1994.

After toxicological results were turned in, in November, Starrs said, "I am exceedingly skeptical of the view that Dr. Olson went through that window on his own."

The CIA issued a hasty statement saying that it "wil cooperate fully" if the case is reopened, saying that if the private investigation has uncovered new evidence, it should be brought to the attention of the authorities.

Starrs singled out the presence of several bruises on Olson's skull that suggested he may have been smashed on the head before he plunged 173 feet at 65 miles-per-hour to his death on the sidewalk below.

The criminal and dishonorable ways of the CIA again surface. Despite Congressional hearings, despite exposure in the press, despite Presidential apologies, Operation Mind Control continued.

According to the documents, the CIA mind-control program was run under four different project names. "In 1949 the Office of Scientific Intelligence (OSI) undertook the analysis of foreign work on certain unconventional warfare techniques, including behavioral drugs, with an initial objective of developing a capability to resist or offset the effect of such drugs. Preliminary phases included the review of drug related work at institutions such as Mount Sinai Hospital, Boston Psychopathic Hospital, University of Minnesota, Valley Forge General Hospital, Detroit Psychopathic Clinic, Mayo Clinic, and the National Institute of Health.

"This first project, code-named Project BLUEBIRD, was assigned the function of discovering means of conditioning personnel to prevent unauthorized extraction of information from them by known means. It was further assigned to investigate the possibility of control of an individual by application of special interrogation techniques, memory enhancement, and establishing defensive means for preventing interrogation of agency personnel."

(A number of the "survivors" of Operation Mind Control have been tattooed with bluebirds. Several think that this was a mark of rank, that it meant they had received special "Bluebird" programming and could be accessed with certain triggers. This has not yet been sufficiently tested to my knowledge.)

In August, 1951, Project BLUEBIRD was renamed Project ARTICHOKE, and was subsequently transferred from the Office of Scientific Intelligence (OSI) to the Office of Security (OS). OSI, however, retained the responsibility for evaluating foreign intelligence aspects of ARTICHOKE. In 1953, the OSI proposed that experiments be undertaken to test LSD on Agency volunteers. Records do not



indicate however, whether or not such experiments were made. According to the information released, OSI's involvement in Project ARTICHOKE ceased in 1956.

The emphasis originally given ARTICHOKE by the OS became focused on the use of drugs such as sodium pentothal in connection with interrogation techniques and with the polygraph. During this period there was an informal group known as the Artichoke Committee which had representatives from OSI, OS, Medical Services, and Technical Services. True to form, only brief records were kept, so that the details of the exchanges of this committee are still secret.

A CIA memo to the Director of Central intelligence dated July 14, 1952, cited a successful application of narco-hypnotic interrogation undertaken by a team of representatives from the CIA. This memo revealed that by that date two successful interrogations had already been conducted using drugs and hypnosis. The subjects were Russian agents suspected of being double agents. The cover was called "psychiatric-medical" (they were admitted to a hospital). The control methods were by narcosis, by hypnosis, and by a combination of both. The subjects were regressed by hypnosis and made to relive past experiences. When the interrogation was completed posthypnotic suggestion succeeded in giving the subjects amnesia of the actual interrogations. The interrogations were regarded by the CIA as being very successful.

"In each case," the CIA memo read, "a psychiatric-medical cover was used to bring the ARTICHOKE techniques into action. In the first case, light dosages of drugs coupled with hypnosis were used to induce a complete hypnotic trance. This trance was held for approximately one hour and forty minutes of interrogation with a subsequent total amnesia produced by posthypnotic suggestion. In the second case (an individual of much higher intelligence than the first), a deep hypnotic trance was reached after light medication. This was followed by an interrogation lasting for well over an hour. However, a partial amnesia only was obtained at this time, although a total amnesia was obtained for a major part of the test. Since further interrogation was desired, a second test was made on this individual in which the ARTICHOKE technique of using a straight medication was employed. On this test, highly successful results were obtained in that a full interrogation lasting two hours and fifteen minutes was produced, part of which included a remarkable regression. During this regression, the subject actually 'relived' certain past activities of his life, some dating back fifteen years while, in addition, the subject totally accepted Mr. (deleted) [the case officer and interpreter at this time] as an old trusted, and beloved personal friend whom the subject had known in years past in Georgia, USSR. Total amnesia was apparently achieved for the entire second test on this case."

The memo revealed that sodium pentothal and the stimulant desoxyn were the drugs used to aid the hypnotic trance. The memo continued: "For a matter of record, the case officers involved in both cases expressed themselves to the effect

that the ARTICHOKE operations were entirely successful and team members felt that the tests demonstrated conclusively the effectiveness of the combined chemical-hypnotic technique in such cases. In both cases the subjects talked clearly and at great length and furnished information which the case officers considered extremely valuable."

According to the Agency Inspector General Chamberlain, "There is reference in papers in the records held by the Office of Security, of something referred to as an ARTICHOKE Team traveling overseas in 1954, with indications of operational applications to individuals representing a Communist Bloc country. There is no record of the operation or its results."

A summary of a conference on July 15, 1953, offered a clue to other kinds of operations conducted under ARTICHOKE. The report, addressed to the Chief of Security, CIA, said, "Mr. (deleted) then discussed the situation of a former Agency official who had become a chronic alcoholic and who at the present time, was undergoing operative treatment in (deleted) for a possible brain tumor. This individual had called the Agency prior to the operation and warned that when given certain types of anesthetics (sodium pentothal), previously he had been known to talk coherently. The matter was taken care of by placing a representative in the operating room and by bringing the various personnel participating in the operation under the secrecy Agreement. Mr. (deleted) stated that the subject did talk extensively under the influence of sodium pentothal and revealed internal problems of the Agency. Dr. (deleted) added that he was acquainted with the details in the case.

"(Deleted) then commented that this type of thing had been a source of great concern to himself and others in the operations work and stated that he hoped that the ARTICHOKE efforts to produce some method that would perhaps guarantee amnesia on the part of those knowing of Agency operations in vital spots would be successful. He stated that some individuals in the Agency had to know tremendous amounts of information and if any way could be found to produce amnesias for this type of information – for instance, after the individual had left the Agency – it would be a remarkable thing. Mr. (deleted) stated the need for amnesia was particularly great in operations work. Mr. (deleted) and Mr. (deleted) both explained that work was continually being done in an effort to produce controlled amnesia by various means.

"Mr. (deleted) called attention to the fact that at the preceding conference, Colonel (deleted) had advanced the idea of testing new methods, new chemicals, and new techniques (and combinations thereof) on certain carefully selected employees of the Agency, probably individuals in the training groups..."

One of the documents John Marks obtained was dated July 30, 1956. Under the heading "Schizophrenic Agent" the memo stated that bulbocapnine, an alkaloid,

could cause catatonia or stupor from its effects on the central nervous system and the cerebral cortex. The report stated: "We desire to have certain psycho-chemical properties tested on man, using the bulbocapnine which we were fortunate to obtain from (deleted), a sample being enclosed herewith. More bulbocapnine is available if needed."

Along with the sample was the request that subjects be tested for loss of speech, loss of sensitivity to pain, loss of memory, and loss of will power."

Another memo in 1956 authorized psychiatrists in universities and state penitentiaries (names were deleted) to test these drugs on unwitting subjects.

An even earlier memo said, "it was essential to find an area where large numbers of bodies would be used for research and experimentation. Dr. (deleted) stated that in connection with the testing of drugs, he was quite certain a number of psychiatrists all over the United States would be willing to test new drugs, especially drugs that affect the mind..."

ARTICHOKE evolved to become project MKULTRA which, according to CIA documents, was "an umbrella project for funding sensitive projects... approved by Allen Dulles on April 3, 1953. Cryptonym MKDELTA covered... policy and procedure for use of biochemicals in clandestine operations..."

Besides drugs, MKDELTA and MKULTRA experimented with radiation, electroshock, psychology, psychiatry, sociology, anthropology, harassment substances, and what were called "paramilitary devices and materials." Contacts were made with individuals at prominent hospitals and drug "safe houses" under Bureau of Drug Abuse control. Through the Bureau of Narcotics and Dangerous Drugs (BNDD) and federal institutions such as prisons, drugs could be administered to unsuspecting individuals.

One hundred thirty-nine different drugs, including various amnesia potions, were first tested under laboratory conditions (See Appendix B), then beginning in 1955 the most promising drugs were given to unwitting subjects "in normal social situations" through the informal arrangement made between the CIA and BNDD. The CIA inspector General's report indicates that this part of the mind-control program was terminated in 1963, but that a project to test various drugs "in an inquiry into improvement of learning ability and memory retention" did continue until 1972.

Document 32 in the MKULTRA file, sheds a more direct light on the CIA's involvement in Mind-control research. The "Memorandum for the Record" was written by an unidentified intelligence officer. It is reproduced below in its entirety.

17 January 1975

MEMORANDUM FOR THE RECORD

SUBJECT: MKULTRA

1. The following represents the best of my unaided recollection regarding the MKULTRA program. I was first briefed on it in 1962. At that time it was in the process of a significant decrease in activity and funding. As Chief, Defense and Espionage (C/D&E), I continued to decrease funds significantly each year until the program was phased out in the late 1960s.

2. MKULTRA was a group of projects most of which dealt with drug or counter-drug research and development. The Director Central Intelligence (DCI) and the Deputy Director of Plans (DDP) were kept informed on the program via annual briefings by Chief Technical Services Division (C/TSD) or his Deputy. Most of the research and development was externally contracted and dealt with various materials which were purported to have characteristics appealing for their covert or clandestine administration under operational conditions. The objectives were behavioral control, behavior anomaly production and counter-measures for opposition application of similar substances. Work was performed at U.S. industrial, academic, and governmental research facilities. Funding was often through cut-out arrangements. Testing was usually done at such time as laboratory work was successfully completed and was often carried out at such facilities as the (deleted) and (deleted). In all cases that I am aware of, testing was done using volunteer inmates who were witting of the nature of the test program but not the ultimate sponsoring organization.

3. As the Soviet drug use scare (and the amount of significant progress in the MKULTRA program) decreased, the program activities were curtailed significantly as budgetary pressure and alternate priorities dictated.

4. Over my stated objections the MKULTRA files were destroyed by order of the DCI (Mr. Helms) shortly before his departure from office.

CI OFFICER

By Authority of 102702

As for the unidentified intelligence officer's claim that the experiments "in all cases that I am aware of" were performed on "volunteer" and "witting" subjects, one can only suggest that this man may not have had the "need to know" about the unwitting subjects. Records of court proceedings indicate that many "guinea pigs" in federal institutions were not fully informed of the long-range consequences of drug-enhanced behavior modification.

One such experiment on Human "guinea pigs," conducted at the California Medical Facility at Vacaville, involved the use of the drug anectine, a strong muscle relaxant which leaves the victim totally without involuntary muscle control. The body lets loose its waste, breathing stops, and without proper attendance, death can result.

Whether or not the subject dies, he experiences the feeling that he is dying. According to chief Vacaville psychiatrist Dr. Arthur Nugent, anectine induces "sensations of suffocation and drowning. The subject experiences feelings of deep horror and terror, as though he were on the brink of death." While in this condition a self-styled therapist scolds him for his misdeeds and tells him to reform or expect more of the same. Dr. Nugent told the *San Francisco Chronicle*, "even the toughest inmates have come to fear and hate the drug. I don't blame them. I wouldn't have one treatment myself for the world."

Writing about the anectine therapy program, Jessica Mitford noted that of those given the drug, nearly all could be characterized as angry young men. "Yet some seem to have been made even angrier by the experience. For the researchers said that of sixty-four prisoners in the program nine persons not only did not decrease, but actually exhibited an increase in their overall number of disciplinary infractions."<sup>34</sup>

Experimentation with drugs and behavior modification became so widespread in prisons and mental institutions that in the middle and late 1960s court dockets became crowded with lawsuits filed on behalf of the "human guinea pigs" who were victims of such research. By 1971 the number of lawsuits had reached such proportions that the Senate Subcommittee on Constitutional Rights began an investigation. Three years later, the Senate Committee on the Judiciary, chaired by Senator Sam Ervin, released a report entitled "Individual Rights and the Federal Role in Behavior Modification." It was largely ignored by the press, yet it revealed some interesting information.

Two years before the CIA and its subcontractors owned up to their mind dabbling, a large number of behavior modification projects were already underway. The report disclosed that thirteen projects were run by the Defense Department; the Department of Labor had conducted "several experiments"; the National Science Foundation conducted "a substantial amount of research dealing with understanding human behavior"; even the Veterans' Administration participated in psychosurgery experiments, which, in many cases, were nothing more than an advanced form of lobotomy.

One of the largest supporters of "behavior research" was the Department of Health, Education, and Welfare, and its subagency the National Institute of Mental Health. the subcommittee said that HEW had participated in a "very large number

---

<sup>34</sup> Jessica Mitford, *Kind and Unusual Punishment* (New York, Knopf, 1974)

of projects dealing with the control and alteration of human behavior." Largest of all the supporters of behavior modification was the Law Enforcement Assistance Administration (LEAA) which, under the Department of Justice, funded hundreds of behavior modification experiments. All the above agencies were named in secret CIA documents as those who provided research "cover" for MKULTRA.

The subcommittee found that controls and guidelines, where they existed, were at best loose. the poorly organized and loosely accountable research operations included not only traditional conditioning techniques, but also more advanced modifiers such as chemotherapy, aversive therapy, neurosurgery, stress assessment, electric shock, and the well known form of psychological indoctrination popularly call "brainwashing."

Another of the documents released to John Marks was one dated February 10, 1951 entitled "Defense Against Soviet Mental Interrogation and Espionage Techniques." It began: "International treaties or other agreements have never controlled the experimental development and actual use of unconventional methods of warfare, such as devices for subversive activities, fiendish acts of espionage, torture and murder of prisoners of war, and physical duress and other unethical persuasive actions in the interrogation of prisoners."

According to this document, the Technical Services division of the CIA contracted with officials of what was then known as the Bureau of Narcotics to have mind-influencing drugs given to unwitting subjects. The CIA felt that the drugs needed to be tested in "normal life settings," so that the full capabilities to produce disabling or discrediting effects" of the drugs would be known.

With the full approval of Allen W. Dulles, and arrangement had been made with the Bureau of Narcotics whereby the CIA financed and established "safe houses" in which federal narcotics agents could dispense the drugs and record the reactions of those who took them. No CIA men were present when the drugs were administered. The report did not reveal the number of "unwitting" subjects given drugs nor the identities of any but Olson. But it did acknowledge, for the first time, the scope of the cryptocracy's interest in mind control.

The CIA Inspector General, Donald F. Chamberlain, was stimulated by Olson's death to investigate the above cited drug program himself. In a summary dated February 5, 1975, he wrote "Records do not permit a description of such relationships as may have existed between these various activities; it is apparent there was some sharing of information between these various components in the Agency, and some overlap in time, but there also are indications of independent approaches to the problem."

Naturally, the CIA allows itself to be questioned and examined only by loyal employees. But even the in-house inspector general could not avoid reporting

that the CIA had a recurring interest in behavioral drugs for more than twenty-five years. The earliest record of this interest dated to the post-World War II period, when the CIA, heir to the OSS mind control research and perhaps the victim of its own motivating propaganda, thought that the Soviets were using drugs and other behavior-influencing techniques.

In 1949, Irving L. Janis of the Rand Corporation, wrote: "Defense against these [mind control] actions will depend largely upon knowledge of enemy capabilities. Reports of experimental and actual use of illegitimate interrogation techniques by the Soviets to obtain intelligence and court confessions against the interrogatee's will indicate clearly the need for medical investigation," the report claimed.

"The implications referred to above embrace several categories. The behavior of defendants in Soviet courts and in those of the satellite countries, together with the whole pattern of Soviet trial procedure, makes it essential for us to consider Soviet use of drugs, hypnotism, hypno-narcoanalysis, electric and drug shock, and possibly the use of ultrasonics."

The report continued, "There is documentary evidence to support the belief that the Soviets have been conducting medical research, have actually used various techniques, and have made provision for large-scale productions of uncommon drugs known for their speech-producing effects..." Only a few drugs with which the Soviets were supposed to be experimenting are named. No hard evidence is presented that they were in fact experimenting with such drugs. The report goes on to point to the trial of Joseph Cardinal Mindszenty, who was accused of collaborating with the enemy (the United States), as an example of the Russians' use of drugs in obtaining forced confessions in court procedure. "Behavior patterns, rapport, symptoms of residual effects of treatments, and the physical condition of the defendants all indicate the use of drugs. Several documents refer to memorized testimony and departures from text, indicating forced false confessions."

It was later learned that the elicited confessions were false. By Mindszenty's own admission, they were not induced by drugs or sophisticated techniques of mind control; they were simply forged, and rather poorly forged at that. Mindszenty's foggy mental state at the trial had resulted from psychological indoctrination, isolation, and interrogation, and generally can be regarded as standard police procedure, for most countries of the world.

The report clearly stated that "the use of these drugs does not usually result in amnesia of past interrogations unless the victim's mental faculties have been destroyed by their effects." Thus, even if drugs were used on Mindszenty, by the CIA's own conclusion he would have remembered getting the drugs and something about the subsequent interrogation sessions. The fact was he remembered neither. It is surely not a coincidence that the CIA "eyes only" report

which claimed Mindszenty was narco-hypnotized was issued the same year that Edward Hunter, the CIA "propaganda specialist," released *Brainwashing in Red China*. Most newspaper reporters would never go to press on the kind of sourceless generalized information provided in the CIA report; yet are we to believe the cryptocracy had launched a thirty-odd-year research and development project based on evidence which amounted to hearsay?

Another CIA report uncovered by Marks, "Defense Against Soviet Medical Interrogation," revealed the alarming statistics that "although susceptibility to narco-hypnosis varies from person to person, skilled operators can readily hypnotize about twenty-five (25) percent of a given group of average persons." It added "at least eighty (80) percent, however, would be susceptible following the use of certain drugs..."

This second document also discussed the plan of the CIA's organization of "a Special Defense Interrogation Program." In addition to outlining the use of drugs and hypnosis, the report brought up two other mind-bending possibilities: electroshock and ultrasonic sound.

"Psychiatrists in many nations," the report said, "have used insulin and electric shock as methods of choice under certain circumstances in their psychiatric work. Electric shock is more rapid than any of the above techniques [drugs or hypnosis]. It is instantaneous. It can be applied with or without the recipient's knowledge. Amnesia of interrogations equals that of hypnosis. If the enemy uses electric shock for interrogation purposes and the victim is available after recovery from the shock, highly trained specialists should be able to reveal the past use of electric shock by electroencephalographic analysis."

The report went on to recommend that groups within the CIA, the armed forces, and the FBI be organized and coordinated to give high-level direction to this project. "Civilian capability for solution of some of the problems should be utilized," the report said. "Close liaison between CIA and Armed Services has been established, but it is not as effective as it should be.

Liaison within the Armed Services appears to be inadequate, and they do not seem to be aware of some civilian sources of knowledge. Liaison with the FBI on this subject may be described as 'cooperative,' although somewhat mutually evasive. A satisfactory guiding organization could be set up under high-level direction for the development of an integrated program. If feasible, a committee to accomplish this purpose should be appointed." the report concluded by recommending that "a technical committee should include medical intelligence representatives from the CIA, Navy, Army, Air Force, probably the FBI and *ad hoc* Government and non-Government consultants."



From the first days of Project BLUEBIRD, and throughout all the ensuing CIA projects the goal was the same – find answers to the following questions:

"Can accurate information be obtained from willing or unwilling individuals?

"Can Agency personnel (or persons of interest to this Agency) be conditioned to prevent any unauthorized source or enemy from obtaining information from them by any known means?

"Can we obtain control of the future activities (physical and mental) of any individual, willing or unwilling, by application of [mind control] techniques?"

Beyond the laboratory and operational research on unwitting subjects, the CIA set up training teams which included polygraph operators, interrogation specialists, hypnotists, and others in what was a long-range, all-out effort to develop reliable mind-control and counter-mind-control techniques. In all, fifteen separate research areas were defined by the CIA planners.

Most of the drug projects came under the operating authority of the U.S. Navy. At Bethesda Naval Hospital, under the direction of a Dr. Gaefsky. The drug project, begun in 1947, continued until 1972. the CIA reports defined the project as one which sought to "isolate and synthesize pure drugs for use in *effecting psychological entry and control of the individual*" (italics added).

Also under the navy's direction was a project headed by a Dr. Ellson at the University of Indiana called "Detection of Deception." this project was aimed at determining the physiological changes which occur when a person is engaged in deception. Mechanical and electrical devices were developed to measure these changes.

At the University of Rochester, again under navy direction, a Dr. Wendy investigated motion sickness. The CIA report describes that study as one to determine "the effect of drugs on the vestibular function of the ear and the development of side effects which indicate the possibility of psychological entry and control."

Besides mind-control drugs and techniques, also investigated were tools which might be effective in compromising individuals. One report stated that in spite of the intensive research, as late as 1960, "no effective knock-out pill, truth serum, aphrodisiac, or recruitment pill was known to exist." Towards that goal under the auspices of the U.S. Army Surgeon General's Office, a Dr. Beecher at Harvard University was given \$150,000 to investigate, "the development and application of drugs which will aid in the establishment of psychological control."

And, under air force guidance, a Dr. Hastings at the University of Minnesota was engaged to research the effects of LSD on animals. His research area, as defined

by CIA, also included the use of electric shock in interrogation, with particular emphasis placed on the detection of prior use of electric shock and the "guaranteed amnesia" it produced.

According to the documents, the investigation of hypnosis as a mind-control tool was kept under the aegis of the CIA. Their prime research interest was the "investigation of the possibilities of hypnotic and post-hypnotic control."

While MKULTRA was the code name for the research and development period of mind control, MKDELTA was the code name for the operational phase, during which all of the techniques of mind control were applied to individuals.

What followed next was the MKULTRANS, acting out their "mindless" roles at the behest of the cryptocracy.



Dr. Frank R. Olson, a former biochemist at Fort Detrick, Md. whose body was exhumed in 1994. While the CIA alleged that Olson had committed suicide in 1953 when he jumped or fell from the tenth floor of a New York building, the 1994 autopsy showed that Olson was dead before his body hit the pavement.

## THE MATA HARI OF MIND CONTROL

**Candy Jones** was a sex symbol during World War II. Born Jessica Wilcox, with her catchy stage name and shapely legs she rose to a standing second only to Betty Grable as America's most popular pinup girl. She was a favorite of the troops at the front, and she felt it a duty to entertain them near the battlefields. After her advertised beauty faded and she could no longer serve to raise the morale of the troops with her appearance, she served her country in another way. She served under MKULTRA as a hypno-programmed CIA courier for twelve years.

While on a USO tour in the Pacific in 1945 Candy contracted a case of undulant fever and, shortly thereafter, malaria. On top of that, she caught the contagious fungus known as "jungle Rot." Within a week, her hair had begun to fall out, and her complexion had turned a sickly yellow.

The combination of these diseases sent her to a military hospital in Manila, where she met a young medical officer whom she identifies only by the pseudonym "Gilbert Jensen." Later, he would offer her the opportunity to become a CIA courier.

In 1959 Candy started a modeling school in New York. She rented office space in a modern skyscraper across the hall from an office occupied by the one-time heavyweight boxing champion, Gene Tunney. One night Candy noticed a "cleaning lady" fumbling for keys to open Tunney's door. The next day Tunney reported that his office had been burglarized, but nothing important had been stolen.

Later the same week Candy observed a young couple approaching Tunney's door. She watched as the young man took out a set of keys and went through the same trial-and-error process that the cleaning lady had performed a few nights earlier. Candy went into the hallway and asked the young man what he was doing. He told her that he was supposed to meet Tunney there. Candy informed him that Tunney had left hours before and was not expected back that evening. The couple hurriedly left.

The next day Candy told Tunney about the incident. He was not alarmed nor did he even seem to be interested that a second burglary of his office had been attempted.

One day later, in the lobby of her building, Candy ran into a retired army general she'd known in the South Pacific. The general had not known her well in the past, but now he was more than courteous. He mentioned that he was on his way to have lunch with Tunney so Candy invited him to her office first and showed him around. Then she brought him across the hall to Tunney. Tunney seemed quite surprised that Candy had known the general, and, after a brief conversation, the two men went to lunch and Candy continued with her business.

A few days later Candy was visited by a man who introduced himself as an FBI agent. He asked her about the burglary of Tunney's office, and Candy told him what she had told both Tunney and the superintendent of the building. The FBI man then unexpectedly went over to the window ledge and picked up a microphone Candy had obtained from Allen Funt of "Candid Camera" fame. The agent wanted to know what use Candy had for the microphone. She explained that she used it to tape her models' voices to help them develop their speech. The agent said that he'd been looking for just such a microphone to use in a surveillance job on Fifty-seventh Street. He asked Candy if she would mind if he borrowed it. Flattered that she'd been asked to help the FBI, Candy offered it for as long as it was needed. The FBI man thanked her and left with the microphone.

When he returned a month later, he was accompanied by another agent. After making casual conversation for a few minutes, the FBI men asked Candy if she would allow them to have some of their mail delivered to her office. There would be letters addressed to fictitious names in care of her modeling school. Some of the letters, he said, might be mailed from Europe and addressed to her, or to a specified fictitious man's name. If that happened she was supposed to call a number and report the arrival of the mail. Candy, once again flattered, said she'd be happy to help.

Two weeks after Candy took the job with the FBI, Gene Tunney moved out of his office. The general, however kept in touch with her all during that year. He invited her to several parties, and even sent her a Christmas card.

In the summer of 1960, Candy received a letter at her apartment from the first FBI man, and the next day the general called her at her office. Somehow he knew she was taking a trip to speak at the all-male Tuesday Night Supper Club in Denver, and afterwards going on to San Francisco to attend a fashion show. The general wondered if, since she was going to California anyway, she would mind carrying a letter from a government agency. He told her the letter was to be delivered to a man who would call at her hotel and identify himself.

Again flattered to be called upon to serve her country, Candy agreed to act as a courier. The important letter was hand-delivered to Candy's office a few days after the general's phone call. There were two envelopes -- a large one inside of which were her instructions and a smaller one which contained the actual letter. Candy carried the letter with her to Denver, then on to San Francisco where she waited for her contact.

Within a few days she received a call at her hotel from a man who identified himself as Gil Jensen; it was the same man who had been Candy's doctor in the Philippines.

Jensen invited her to dinner that evening at the Mark Hopkins Hotel. During dinner Candy brought up the subject of the letter, but Jensen avoided the subject, saying they could talk about it at his office the next day.

Candy protested she had to go back to New York the next day, but Jensen would not take no for an answer. He told her it would be worth her while to stay on for a few days. "There's some interesting work you could do for the Central Intelligence Agency, Candy, without interfering with your business."

He told her that the work could be quite lucrative and since at that time she needed money, she decided to stay and find out what the CIA was offering.

The next day a car picked Candy up at her hotel and drove her across the Bay Bridge to the Oakland office of Dr. Jensen. That was the beginning of what Candy's biographer Donald Bain (who told Candy's story in the book *The Control of Candy Jones*<sup>25</sup>) described as twelve years of adventure which would eventually take her to the Far East as a covert operative of the CIA.

"She would be harassed, badgered and even tortured," Bain wrote. "Her role was small, a carrier of messages, and the fact that she chose initially to perform such duties, for pay, renders the misfortunes that befell her 'occupational hazards.'"

"What Candy hadn't bargained for, however, was becoming a human guinea pig in a secret CIA scientific project in which mind control was the goal.

"She was an unwilling and unknowing laboratory subject for twelve years, and only her chance marriage saved her from the final stage of her adventure -- her own suicide as choreographed by Dr. Gilbert Jensen."

In 1973 Candy Jones married an old friend, "Long John" Nebel, the host of a New York all-night radio talk show. Candy had met John in 1941, at the height of her career, when he was working as a free-lance photographer assigned by a magazine to photograph her. After losing contact with each other for more than a decade,

---

\* Donald Bain, *The Control of Candy Jones* (Chicago, Playboy Press, 1976)

they accidentally renewed their acquaintance and were married twenty-eight days later.

On their wedding night, John noticed his bride was suddenly acting out of character. She had left the bed and gone into the bathroom to look in the mirror. When she returned, John said, "I saw somebody who only *resembled* the woman I'd married." He stressed the word "resembled" because, although the body which walked out of the bathroom belonged to Candy, the being inside it did not. Her voice was cold and distant, and her expression was cruel. Soon the strange bitter mood passed and the warm and loving Candy returned.

The next evening Candy's strange "mood" returned. John naturally became curious about his wife's psycho-history and began asking questions about her past. Candy told him about her contact with the FBI in 1959. She also told him that from time to time she would still have to take little trips for the government.

On June 3, 1973, John and Candy came home early in the morning after doing one of his all-night talk shows. Candy tried to sleep, but found she could not. She tossed and turned and when she complained to John of her sleeplessness, she was near tears.

John told Candy that he'd read that hypnosis could relax insomniacs, and although he never had tried to put anyone into the trance state, he'd read a lot about it and he suggested perhaps they ought to try it. Candy laughed and said, "I can't be hypnotized, John." but a short while after John began to hypnotize her, Candy was deeply asleep.

Although John had no way of knowing it then, Candy was already a highly suggestible subject since she had been hypnotized on many previous occasions by the CIA. Because of this, whenever John sought to induce trance in Candy, she rapidly became relaxed and was able to get a full nights' natural sleep.

One night, while under John's hypnosis, Candy suddenly and spontaneously began to relive her childhood. During these age regressions, she revealed many terrible incidents in what had been, an obviously lonely and troubled past. In dreamlike monologues she related how her father had abused her. Once when she was eleven he'd crushed her fingers, one by one, in a nutcracker because she wouldn't cry when he was about to leave.

Candy's portrayal of her mother depicted a person only a little less cruel than her father. A calculating woman, she often locked Candy inside a closet as a form of punishment.

In several hypnotic monologues Candy revealed how she had developed an alter ego named Arlene to defend her from the blows of her formative years. Later, John was to discover the despicable personality which he had observed taking over

his wife's consciousness on their wedding night was the same alter-ego she'd developed in her childhood. John Nebel began tape-recording his wife's hypnotic monologues.

(Bain fails to say whether or not Candy's alter ego playmate was a manifestation of what was then thought to be the rare illness known as Multiple Personality Disorder (MPD). Since 1976 the psychiatric community has come awake to the fact that there are tens of thousands of people suffering from what is today called Dissociative Identity Disorder( DID), but then there were only a handful of cases diagnosed. We now know that DID children were recruited by the cryptocracy which made good use of their many outstanding capabilities.)

One day, while under hypnosis, Candy told John about working with Dr. Jensen in California. She revealed that Jensen worked for the CIA and she did, too, but John was not interested in the CIA story.

John became interested, however, when his wife described how Dr. Jensen had tried to hypnotize her. According to Candy, when Jensen had suggested she submit to hypnosis and she had told him with great certainty that she couldn't be hypnotized, he had agreed with her that this was probably true, judging from what he knew of her personality.

John had read that the best way to deal with a subject who believes he cannot be hypnotized is first to agree with him, then to proceed to demonstrate how a hypnotist might try to induce trance. John's subsequent hypnotic sessions with Candy verified that was exactly what Jensen had done. But he'd gone one step further.

According to the memories dredged up from Candy's subconscious, Jensen had regularly given her injections of "vitamins." John thought these might actually have been hypnotic drugs. Although Candy had probably always been a good hypnotic subject, narco-hypnosis provided access to greater depths in her already pliable personality.

When John began asking Candy about Jensen in her conscious state he found that she could provide little information about him. She could only recall visiting Jensen on that first trip for the CIA. She had no memory of what had happened in his office, nor of the events of her life which immediately followed that visit. John began to fear that the CIA doctor still possessed a hold over his wife's mind.

Over the course of many hypnotic sessions with Candy, John Nebel gathered up her fragments of memory and wove them into a picture of a satanic CIA doctor. But reports Donald Bain, "the major difficulty in dredging up this material is that Candy Jones was programmed by Jensen not to remember, and this programming proved frighteningly effective."

John later discovered that on that first visit, Jensen had obtained from Candy the important piece of information about her imaginary playmate named Arlene. This single fact provided the basis for the methodical splitting of her personality, for it was Arlene that Jensen wished to cultivate as a courier, not Candy.

Candy's willingness to carry messages was the extent of her conscious cooperation with the CIA. But from the first visit to Jensen's office she had become an unwitting victim of Operation Mind Control. Jensen had her sign a security oath which officially made her an employee of the government, and as such she forfeited her right to legal compensation for the harm done her by the ruthless mind-control operation.

Jensen also placed her against a large sheet of paper and traced her silhouette. Then he photographed her and asked her to pick a pseudonym for a new passport. She suggested her actual middle name Arlene.

In answer to Jensen's questions she revealed that her imaginary playmate had spelled her name A-r-l-e-n-e. Jensen said that he didn't care which way she spelled it and asked her to pick a last name as well. Candy suggested the name Grant, which was the last part of her grandmothers's name, Rosengrant and "Arlene Grant" was agreed upon. It would be an easy name for Candy to remember since that was the very name she had given her alter ego in childhood.

As time went on, John found that he was talking more to Arlene than to Candy. In one session John asked Arlene if she thought Jensen had in any way crippled her. Arlene scornfully replied that Candy had not wanted to be programmed, but that "she didn't know what end was up."

John asked Arlene who had developed her, and she replied, "Mother Jensen. He hatched me like a mother hen." Jensen had told her to come through Candy's stomach, she said. He'd say, "A.G.! A.G.!" and Candy would experience a severe stomach pain before Arlene took over her personality. When she refused to come when she was called, Jensen would give Candy an injection, and one day he miscalculated and gave her three injections, which put Candy to sleep for fourteen hours. Jensen had quite a scare because he had a difficult time reviving her.

Under John's hypnosis, Candy revealed that she had been given a number of drugs by Jensen: possibly aminazin, reserpine, and sulfazin, as well as the "truth drugs" sodium amytal and sodium pentothal. She was programmed not to allow any doctor except Jensen to treat her, and never to allow anyone to give her thorazine, the powerful tranquilizer.

The details of Candy's role as a mind-controlled CIA courier were pieced together from hundreds of hours of tapes of her hypnotic monologues. She worked for the CIA under her professional name Candy Jones, under the name Arlene Grant, and under her given name, Jessica Wilcox. She was first ordered to lease a post-office



box at Grand Central Station in the name of Jessica Wilcox in August of 1961. She maintained this box until 1968 or 1969 and paid for it herself. Mail seldom arrived at the box, but when it did Candy would take it to her office and hold it for an unidentified man who always made the pickup, or sometimes, a phone call would order Candy to deliver certain letters to various locations around the city.

Slowly it began to dawn on Candy that some of the people she was delivering mail to might be just the kind of people who could kill her for reasons of their own. To protect herself, she wrote a letter to her attorney and put two copies in safe deposit boxes at different banks. The letter stated that for reasons she couldn't disclose she often used the names Arlene Grant, Jessica Wilcox, and Candy Jones. She wanted to put on record the fact that these different names all referred to her. In the event of her death she wrote, whether it was due to accident or sudden illness, whether it happened in the United States or outside the country, there should be a thorough investigation. She wrote that although she was not at liberty to divulge her sideline activities, she was not performing illegal, immoral, or unpatriotic acts.

Candy held that assumption to the end of her days, even after hearing her own voice under hypnosis tell tales of physical torture, of illegal entries and exits from the country, and of the most shocking kind of abuse at the hands of the CIA. Candy probably still would do almost anything out of this hypno-cultivated sense of patriotism.

Eventually John tried to get his wife to see a psychiatrist, but she refused, saying that if she did so she would get very sick and might even have a convulsion. Evidently Jensen had told her this. Even talking about possible therapy gave Candy severe stomach cramps.

Candy had been programmed so that she would not only be protected from foreign intelligence operations, but from *everyone*, the CIA included. Jensen planned to use her for some evil design of his own.

Candy Jones was, in fact, not one, but two zombies, Candy and Arlene, sibling rivals trapped inside the same skin.

They would talk to each other but never about each other to anyone but Jensen. They traveled together on the CIA assignments, Candy Jones being the person who acted within the United States, and Arlene Grant, the alter who took over once the airplane left the country.

Usually when Candy arrived in San Francisco from New York she would immediately go to Jensen's office. There she would change clothes, don a black wig, and pick up her fake passport in the name of Arlene Grant. Jensen would call forth the Arlene personality and send her off to Southeast Asia to deliver her messages. In his book, Donald Bain writes that Arlene often carried an envelope,

but he wonders, wisely, if in fact there was any thing in the envelope. The possibility is strong that Candy carried her secret messages within her mind, locked behind posthypnotic blocks which could be released only by hearing the proper cue.

In 1966 she was sent on several missions to Taiwan where three businessmen were her contacts.

On her first mission to Taiwan, Arlene was met at the airport by one of them. She immediately offered him the envelope, but he insisted that she accompany him to his home, which turned out to be a large and institutional-like structure located on an impressive estate twenty miles outside Taipei. In front of the house a long row of trees lined the driveway which circumscribed a lush green lawn. There were other buildings on the property some distance from the main house.

As he escorted Arlene into the house she noticed two Chinese women dressed in lab coats on the lawn. She asked him who these women were, and he explained that they were only household help. During that first three-day visit the man entertained Arlene royally. he took her to extravagant dinners and on an extensive sightseeing tour of the island.

When she returned to San Francisco, Jensen met her at the airport and drove her back to his office. There he gave her an intravenous injection of drugs and restored her to the Candy Jones personality. She turned in her Arlene Grant passport and put her black wig, dark makeup, and clothing in a closet in Jensen's office. On that trip she also turned over to Jensen several rolls of exposed film which she had taken on her sightseeing tour. On her return to New York, she found her staff at the modeling agency very upset because she had forgotten to tell anyone where she was going or how long she would be gone.

A month later, Candy was again summoned to San Francisco. Jensen put her through the same procedure as before, having Arlene Grant emerge and travel to Taiwan. Again, the same man met her at the airport and took her to his country home. Again she stayed for three days. But this time she was not a guest but a prisoner.

Candy recalled, through John's questioning under hypnosis, that she was hooked up to an electric box of some kind and was shocked repeatedly on her shoulders, arms and breasts. The Chinese grilled her about the contents of the envelope she'd just delivered. She protested that she did not know anything about its contents, but that answer did not satisfy her torturers.

When she wouldn't change her story, they turned to questions about Dr. Jensen. Arlene maintained that she did not know Dr. Jensen. Obstinate, she stuck to her programmed cover story, even though she was severely and repeatedly shocked.

Although the real event had taken place almost ten years earlier, the physical impressions revived by reliving these experiences under her husband's hypnosis were so strong that her lymph system responded protectively and pumped fluid to her shin producing blisters in the exact places where the electrodes had been attached.

According to Candy's recollection, the torture stopped only after the Chinese man talked with someone on the telephone. Following his conversation he unstrapped her from the chair and seemed most friendly and apologetic. He told her the electrodes had been used not to torture her but to try and jog her memory. After lunch he drove her to the airport and put her on a plane for San Francisco. She remembers that on the return flight she wore gloves in order to hide the blisters. She also recalls that her hands smelled of sulfuric acid, although she has no recollection of having been burned with it.

At San Francisco, Jensen met her and gave her the customary injection after they reached his office. He told her that the torture had been a mistake, the result of a typographical error in the message she had carried.

In 1968 Candy was again sent to Taiwan. Normally an individual would not knowingly and willingly place herself in a position to be tortured a second time, but Jensen's control over Candy was so complete that she did his bidding without the slightest hesitation.

The final trip to Taiwan brought her into contact with other Taiwanese. She delivered her envelope, this time to a girl in an art gallery. She remembers that after the girl took the envelope from her, she spit in her face. Under hypnosis Candy could not recall any reason why the girl had done so.

After delivering the message, Arlene was picked up by the same man and driven to his home. Again she was tortured with electrodes and questioned about the contents of the message she'd delivered. When she would not or could not answer, her torturers put her hand in a box which contained a scorpion. This apparently was supposed to be a scare tactic, for when the scorpion bit her, the torturers immediately stopped the shocks and gave her antibiotics and administered other medical treatment.

Candy told her husband that on another occasion her thumbnails had been cut to the quick in an attempt to make her talk. She remembered that this had taken place on January 24, 1968. On still another occasion, something had been put in her ears to cause pain. But throughout all this torture, Jensen's programming held. She said nothing.

In another hypnosis session Arlene told about getting dizzy in a Taiwan hotel after having one drink. She began to sweat profusely and went to a bathroom which had a little dressing room and a bed in it. An attendant accompanied her and took

her clothes and hung them up since they had become drenched with perspiration. She was given a dressing gown and allowed to lie down. Eventually a doctor came to see her. He gave her an injection and she drifted off to sleep.

After the doctor left the room, the female attendant came over and began to pinch her on different parts of her body, asking her where "the papers" were. When the attendant began to pinch Arlene's nipples, she fainted from the pain. The woman persisted, repeatedly pulling her to a sitting position and severely pinching her nipples.

When the woman finally left the room, Candy remembers, she tried to crawl under the bed to hide. The doctor came back and gave her another injection. The next day when she awoke and dressed, she was courteously escorted to the airport by her torturers as if nothing had happened.

When she got back to Jensen's office, she reported the incident to him. He seemed most concerned about it but when he asked to see her bruises, she refused to show him her black and blue nipples.

On a number of occasions Candy was sent to the Central Intelligence Agency's training ground called "The Farm." Known to the outside world as Camp Peary, it appeared to be an ordinary military installation. There Candy learned how to search a room, and various guerrilla warfare tactics including how to commit undetectable arson. She was taught how to use a poison lipstick to take her own life, and how to use the same lipstick to kill someone else by sticking a pin inside it, then jabbing the intended victim. She learned how to use acid as a defensive and offensive weapon. She learned how to fire various weapons, how to climb ropes, and how to write coded messages on her fingernails and cover them with polish. The training at "The Farm" was known as 3-D: "Detect, Destroy, and Demolish."

At one point Candy told her husband of an especially outrageous incident which took place at CIA headquarters in Langley, Virginia. She had been taken to an amphitheater where more than two dozen CIA men were gathered to witness a performance of Dr. Jensen's stable of zombies. There were eight subjects scheduled for the performance and Candy was the first.

In a deep hypnotic trance, she was made to lie naked on a table. The table was wheeled before the CIA audience and Candy was introduced to the group as Laura Quidnick. She wore her Arlene wig during the entire performance.

Dr. Jensen demonstrated his complete control over the prone, disrobed figure of Candy Jones. He lit a candle and told his nude subject that she would not feel a thing. Then he shoved the burning candle deep into her vagina. Several of the witnesses tried to break through Jensen's control, but they all failed. "Candy is

perfect," Arlene told John. "Jensen proved in Virginia how impossible it was to break his control."

Piecing together such fragmented incidents of Candy's secret CIA past, John Nebel discovered that his wife had been programmed to commit suicide once she was no longer useful to the CIA. The self-destruct program was to be activated in Nassau. She was to check into the Paradise Beach Hotel on December 31, 1972. She'd stayed at the hotel many times before on normal business trips, so there was nothing unusual about that. But on this occasion Arlene was primed to spontaneously take over Candy's body upon receiving a phone call from Jensen. She was programmed to walk Candy's body to a steep cliff overlooking the sea and there to make a high dive. This was to be the last dive of Candy Jones' life, for from that location her body would certainly have crashed into the rocks on the beach below.

It was extremely fortunate that Candy married John Nebel on the very day she was supposed to check into the hotel. The marriage, by putting off the Nassau trip, had short-circuited Jensen's program of suicide, which was scheduled for the same month.

Even to the end of her life, despite John's help in countering much of Jensen's programming, Candy was still not completely free of his control over her mind. Still, whenever she looked into a mirror, she felt Arlene struggling to take over her consciousness.

Although Candy told Jensen that she was through working for the Agency in the middle of 1972, more than six months after she and John were married a strange phone call was recorded on their answering machine. The message was: "Japan Airlines calling on the 03 July at 4:10 p.m.... Please have Miss Grant call 759-9100... She is holding new reservation on Japan Airlines Flight 5, for the sixth of July, Kennedy-Tokyo, with an open on to Taipei. This is per Cynthia that we are calling. Thank you."

A check with Japan Airlines disclosed that the number 759-9100 was indeed the reservation number for the airline. There was, however, no record in the airline's computer of the reservation or a record of who made it. Neither was there a reservation clerk named Cynthia, or anyone else at the airline by that name. the "per Cynthia" phrase may have been a code which was supposed to trigger Candy's automatic program, or it may have been a thin disguise for the Agency represented by Cynthia's first and Last two letters.

Candy's controlled mind and John Nebel's sense of patriotism prevented the whole truth of the story from emerging. For some reason John Nebel, Candy Jones and Donald Bain conceal the real names of Candy's programmers. In Bain's book the name Gilbert Jensen is said to be a pseudonym.

Another doctor, who supposedly conditioned to hate and distrust people, is given the name "Dr. Marshall Burger" in the book, though at one point there is a footnote stating that Nebel wondered if Burger wasn't a cover name for the California hypnotist Dr. William Jennings Bryan. (In a samisdat document supposed to have come from a CIA briefing, ( see Chapter 37) it was noted that Bryan had been one of the programmers of Sirhan Sirhan.)

Bryan, as noted in an earlier chapter, was the hypnotist and physician who offered the long-distance, instant diagnosis that Gary Powers had been "Powerized" by the Soviets. He was formerly a hypnotist for the air force and has been linked to the CIA. He was also the technical consultant for the film *The Manchurian Candidate*.

According to the April 22, 1969, *Los Angeles Times*, the California State Board of Medical Examiners found him guilty of "unprofessional conduct in four cases involving sexual molesting of female patients." For this offense Bryan was only placed on five years' probation – the lightness of the penalty might well have been accomplished through his connections with the CIA.

Alan W. Schefflin, an attorney who spent five years researching the subject of mind control for his book *The Mind Manipulators*, said he has evidence which suggests that the Nebels and Donald Bain may be concealing the fact that the "doctor" who programmed Candy is the same doctor who programmed Lee Harvey Oswald, James Earl Ray and Sirhan Beshara Sirhan.

In early 1976 Candy Jones and I both spoke on a KSAN radio special on mind control. I was interviewed via telephone and Candy was interviewed in the studio. We did not meet face to face, but KSAN provided all the participants with duplicate tapes of the program.

On the KSAN program Candy Jones and Donald Bain both insisted, despite my own evidence and arguments, the testimony of Jessica Mitford, and the evidence provided by two other investigative reporters that Candy had been only a human guinea pig used for experimental purposes. The records of the CIA mind-control project clearly show, however, that during the 1960s the cryptocracy's mind control had gone far beyond the experimental stage. On that radio show, Candy herself revealed that Sir William Stephenson (*A Man Called Intrepid*) believed that she was no guinea pig. She reported that Stephenson wrote her that as far back as the early days of World War II he had used zombie agents like her in the service of British Intelligence.

Shortly after the program was aired I called Nebel's office to try and make contact with Candy or John. They had ignored my previous letters and my calls were taken by their producer, who tried to help me but finally had to report that the Nebels were not interested in being interviewed. I subsequently learned that

neither would they grant an interview to John Marks of the Center for National Security Studies.

My Attempt to clarify the question of whether or not Dr. William Jennings Bryan had anything to do with programming Candy Jones was also frustrated by his avoidance of me. I persisted in trying to get an interview with him until March of 1977, when Dr. Bryan died prematurely at the age of fifty, allegedly of a heart attack. He was a rather flamboyant man who toured the country holding "conferences" where he would lecture on the uses of hypnosis in police interrogation. He died at one such conference in Las Vegas, Nevada, only months after his name was raised in connection with Candy Jones.

Both Long John and Candy are now moulding in their graves. Among the legacy they left are questions which begged for their answers: What are the real names of the men who programmed Candy? Why weren't they included in the book? What are Candy's and John's personal political affiliations? Why were they not outraged by Candy's manipulation? Why are they attempting to protect the guilty and justify the rape of Candy's body and mind by the "national security" rationale? Why wouldn't they sit still and let me interview them in detail?

In light of Candy's disclaimer, and the Nebels' refusal to clear up these questions, I can only ask the reader to decide whether or not Candy Jones was a courier in a fully operational sense, or only an experimental guinea pig, as she tried to make us believe.



The late Candy Jones, Powers model, CIA courier, Dissociative Identity Disordered by the cryptocracy. ( Note her pupils are dilated in the strong light. This could indicated that she was in a drugged state when this photo was taken.) Today Candy is recognized as among the first "Presidential Models" by the survivors of the so-called Monarch Project.



## THE STORY OF O

**D**ue to the volatile nature of the information contained in her story, I am withholding this victim's identity. The evidence is still being uncovered. Others are coming forward with corroborating information. While details of her testimony is still being checked, we do know, that what she describes in her story is entirely possible, so, from the perspective of students of mind control this story has great value as it is here presented. Future editions may contain more.

We'll call her O. She was born in 1957. Her first memories are of being suffocated by her father's penis in what was to be a childhood of continual sexual abuse. After six years of "deprogramming" with Mark Phillips, O has come to reintegrate her fragmented personality and has gained access to most of the shocking memories of her abuse by, among others, high government officials.

In her unpublished autobiography O writes: "I recall as a toddler being unable to run ( I could barely walk) to my mother for help as my instincts demanded..." describing one moment of the lurid details which drove her to a condition many call Multiple Personality Disorder. Instead of helping, her mother abused her.

"Multiple Personality Disorder (MPD)," she explains, "is the mind's sane defense to an insane situation — a way of dealing with trauma that is literally too horrible to comprehend. By compartmentalizing the memory of such horrendous abuse as incestuous rape, which violates primitive instincts and surpasses pain tolerance, the rest of the mind can function "normally" as though nothing has happened. This compartmentalization is created by the brain actually shutting down neuron pathways to a specific part of the brain. These neuron pathways are triggered open again when the abuse recurs, whereby the same part of the brain that is already conditioned to the trauma deals with it again... and again... as needed..."

The results of this childhood abuse left little O unable to recall her father's sexual assaults. Until she saw or felt his penis thrust at her in another attack she remained innocent and open, amnesic of the previous abuses. "As quickly as I felt the terror from conditioned response (to his sexual assault)," she writes, "my neuron pathways opened up instantaneously to the part of my brain that had

previously endured the trauma. This part of my mind developed into a personality of its own which belonged to my father... which he rented out and later sold to the U.S. Government."

Her father (through her own investigations) was apparently a multigenerational incest victim himself from a large, poor and "horribly dysfunctional family where his mother earned a living as a prostitute to local lumbermen... My father's brothers and sister," O says, "were all sexually and (occult) ritually abused just as he was, and they grew up to be drug addicts, prostitutes, street derelicts and pedophiles who also sexually abused me and my brothers and sisters." (By occult ritually abused, O means such as in the black rites of Satanism.)

O's case duplicates the mind control effects described by the cases of David, Luis Castillo and Candy Jones. But it goes further because O says she's regained her memory and reintegrated her multiple personalities, remembering the process that she was a courier (like David and Candy) who carried secret messages locked behind posthypnotic blocks, and she muled drugs (mostly cocaine) for the CIA and performed perverted sex acts for a number of leading politicians including two Presidents of the United States while they were in office and one before he came to office. Her father prostituted her to his friends, local mobsters, Masons, relatives, Satanists, strangers and police officers before he entered her into service of the cryptocracy.

Young O and her siblings were used in child porn films by her father and her uncle. As a child she was forced to perform sex acts before the cameras with her Uncle's boxer dog, Buster.

It was her uncle, she says, who informed her father of "the U.S. government Defense Intelligence Agency's mind control operation that was recruiting multigenerational incest abused children with Multiple Personality Disorder for its... mind control studies. I was a prime candidate, a "chosen one" , and my father seized the opportunity as it would provide him immunity from prosecution (for the child porn charge he was facing)." Her father, she says was hurriedly flown to Boston for a two week course on "how to raise me for this off-shoot of the MKUltra Project, Project Monarch."

When he returned from Boston, she says, he was smiling and pleased with his knowledge of what he termed "reverse psychology." This she describes as puns and "phrases that stuck in my mind like "You earn your keep, and I'll keep what you earn." Her description of her father's newly acquired linguistic techniques include what David called "audio-reversals."

It is slowly coming into acceptance among the psychiatric community that people suffering from Multiple Personality Disorders often exhibit unusual abilities in their different personalities. While the "control" or day-to-day normal personality

might be seriously nearsighted, another personality might have 20/20 vision. Quite common is the hypermnesia David described, and the high tolerance to pain we find in Candy Jones' story. O has her own version of these abilities.

"I learned to read at the young age of 4 due to my photographic memory which is a result of MPD. Our government researchers," O says, "knew about the photographic memory aspect of MPD, as well as the increased visual acuity which is 44 times greater than that of the average person, the unusually high pain tolerance, and the compartmentalization of memory, all of which were appealing for military and covert operations development. Additionally, my sexuality was primitively twisted since infancy... which was appealing to perverse politicians who could hide their actions deep within my memory compartments referred to as personalities..."

"I had personalities for pornography, a personality for bestiality, a personality for incest, a personality for withstanding the horrendous psychological abuse of my mother, a personality that witnessed my occult father ritually murdering a man, a personality for prostitution, while the rest of 'me', functioned somewhat 'normally' at school. My 'normal' personality provided a cover for the abuse I was enduring, but best of all it had hope — hope that there was somewhere in the world where people did not hurt each other..."

O's young mind was scrambled with the "Project Monarch methodologies", she says, which confused fantasy with reality. Disney stories, Cinderella and the Wizard of Oz were placed at the base of her programming.

When she was 13, with her breasts beginning to swell, she was judged to be "too old" for pedophile perversions. It was then that she was "sold" to U.S. Congressman, Senator Robert C. Byrd (Democrat West Virginia). From that point on, she says, "my MPD existence became more regimented... I was kept physically worn down to the point of exhaustion in order that I be sufficiently receptive to my father's limited hypnotic programming capabilities ..."

"My television, books, and music became even more strictly controlled and monitored than before, not only to infringe on my last minuscule freedom of choice, but for total mind control conditioning purposes.

"For example, the annual television of Judy Garland's Wizard of Oz was celebrated as a holiday around my house to prepare my mind for future base programming on the theme that I, like Dorothy, could 'spin' into another dimension 'over the Rainbow.' After all, 'Birds (Byrds) fly over the Rainbow...'

"My father insisted I watch the Walt Disney movie 'Cinderella' with him, paralleling my existence to Cinderella's — 'magically trance-forming from a dirty little slave to a beautiful Princess' — and in typical 'reverse psychology' humor,

he referred to pornographic photos when singing 'someday my prints (Prince) will come', or by placing literal sexual emphasis on 'will come.'

"My brother, who was often featured in kiddie porn with me, was not a 'chosen one' for Project Monarch (beyond supplying more children to be dedicated in later years), yet my father figured what was good for me would be good for my brother. He took us to see Walt Disney's "Pinnocchio", explaining that my brother and I were his puppets still in the carving stage. The distortions of reality that these and other Disney theme movies provided when coupled with my father's controlling conscious and subconscious influence, began to further erode our ability to discern fantasy from reality. My brother, now 37, remains psychologically locked in to those traumatic childhood years and is obsessed with Disney to this day, decorating his house in Disney memorabilia, wearing Disney clothes, listening to my father's instructions on his Disney telephone, and maintains 'When you wish upon a star' as his favorite song, with no conscious idea as to why..."

Every other Project Monarch "slave" she met, had been programmed along similar lines as she had. "I had to watch such programs as 'I Dream of Jeanie', 'The Brady Bunch', 'Gumby and Pokey', and 'Bewitched'. I could relate to the Genie pleasing her master, who was a Major in the Air Force in 'I Dream of Jeanie.' This served to confuse the reality of my own experiences with the fantasy of the TV production. I told all outsiders that my family was 'just like the Bradys'. Through 'Gumby and Pokey' I was led to believe that I was as flexible as these clay figures, capable of being physically maneuvered into any sexual position. In 'Bewitched' it is the normal next door neighbor that is considered crazy rather than the witches, another reversal that applied to my bizarre existence..."

O says her father took advantage of his new political connections and advanced himself in his work. "Soon he was promoted... due to who he knew within the Pentagon Procurement Office and General Services Administration, and what he had learned about double bind hypnotic persuasion... In true pedophile fashion, he surrounded himself with children by coaching little league sports, chaperoning school and Catechism activities, and becoming involved with the Boy Scouts, all of which made him appear to be a pillar of the community. The illusion was forming..."

Abused by both government representatives and priests in the Catholic church, O says that there are strong "political ties between the Catholic Church and the U.S. government" which was "evidenced by the much publicized relationship between the President and the Pope during the Reagan Administration. But this political relationship was evident to me years before through experiencing... direct involvement in Project Monarch's physical and psychological conditioning" and abuse.

Satanic rituals, she says, were often used to traumatize her in attempts to further fragment her personality. But that, she says, "did not promote the helpless attitude" that was desired. What they wanted, she says, was to make people believe that there was "spiritual warfare" going on which was beyond mankind's ability to stop.

"I knew it was my father, not Satan, that murdered the unsuspecting hunter in the woods during a ritual. And I knew no spirits or demons were being appeased by my Uncle Bob's slaughter of numerous pets, even when Bunny screamed like a woman while being tortured to death. Regardless of my spiritual beliefs. I experienced the 'results' just the same, being subjected to and witnessing trauma so horrible it literally drove me out of my mind, while my body was raped, tortured, and ravaged by men.."

"Whether I was in a military, NASA, or government building, the procedure for maintaining me under total mind control remained consistent with Project Monarch requirements. This included physical and/or psychological trauma; sleep, food, and water deprivation; high voltage electric shock; and hypnotic and/or harmonic programming of specific memory compartments /personalities. The high tech equipment and methods I endured from that time on gave our government absolute control of my mind and life since I had been literally driven out of my conscious mind, and I existed only through my programmed subconscious. I lost my free will, ability to reason, and I could not think to question anything that was happening to me. I could only do as I was told."

In the summer of 1975, O's family drove her from Michigan to the Teton Mountains of Wyoming. There she was introduced to Dick Cheney, Wyoming's Congressman who had become the White House Chief of Staff to President Ford and eventually Secretary of Defense to George Bush.

O says Cheney enjoyed a sadistic ritual called "A Most Dangerous Game." Originally devised to train the military in survival and combat maneuvers, it was used on O as a means of further conditioning her mind to believe that "there was no place to hide," as well as to more deeply traumatize her for ensuing programming.

"It was my experience over the years," O says, "that A Most Dangerous Game has numerous variations of the primary theme of being stripped naked and turned loose in the wilderness while being hunted by men. In reality, the 'wilderness' area was enclosed in military fencing and it was only a matter of time until I was caught, repeatedly raped and tortured.

"Dick Cheney has an apparent 'addiction' to the 'thrill of the sport', and appears obsessed with playing A Most Dangerous Game as a means of traumatizing mind

control victims, as well as for his own sexual kink. My introduction to the game occurred upon arrival, and it physically and psychologically devastated me..."

O says she was so traumatized by the event that after it she stood trembling "naked in his dark hunting lodge office after being hunted down and caught.

"Cheney was talking as he paced around," she says. "I could stuff you and mount you like a jackalope and call you a two-legged deer. Or I could stuff you with this (he unzipped his pants to reveal his oversized penis) right down your throat, and then mount you. Which do you prefer?"

While O stood silently trembling, not knowing what to say, blood and sweat and dirt slid down her legs and shoulders.

"Make up your mind, Cheney shouted," O says. "You don't get a choice anyway. I make up your mind for you. That's why you're here. For me to make you a mind and make you mine/mind. You lost your mind a long time ago. Now I'm going to give you one. Just like the Wizard (of Oz) gave Scarecrow a brain, the Yellow Brick Road led you here to me. You've come such a long long way for your brain, and I will give you one."

When O asked to use the bathroom Cheney's face turned red with rage, she says, and he was on her in an instant, slamming her back into the wall, growling, "If you don't mind me, I will kill you. I could kill you... Kill you... with my bare hands. You're not the first and you won't be the last. I'll kill you any time I goddamn well please."

"He flung me on the cot that was behind me, and finished taking his rage out on me sexually," O says. During that assault Cheney used an electric cattle prod on the young woman.

The following year, O says, she was "dropped off" at the Kennedy Space Center in Titusville, Florida where she was subjected to her first NASA programming. "From then on, I was obsessed with following the Yellow Brick Road to Nashville, Tennessee where she got involved with people in the country music business who were working undercover for the cryptocracy.

"In the early 1980's, my base programming was instilled by US Army Lt. Col. Michael Aquino, who holds a Top Secret clearance in the Defense Intelligence Agency's Psychological Warfare Division (Psyops). Aquino is a professed Neo-Nazi, the founder of the Himmler inspired occult Temple of Set, and has been charged with child ritual and sexual abuse at the Presidio Day Care in San Francisco, Ca. But like my father, Aquino remains 'above the law' while he continues to traumatize and program CIA destined young minds in a quest to create the 'superior race' of Project Monarch mind controlled slaves. I quickly learned that Aquino did not adhere to his profoundly professed occult superstition

any more than I did, and that his "satanic power" was in the form of numerous variations of high voltage stun guns, which he used on me regularly. Although Aquino used occultism (blood trauma) as a trauma base, his programming was high tech and "clean" — not muddled in a proverbial witches brew of ignorance. He quickly dispelled the... influence (of her previous programmers), and began programming me according to Byrd's specifications... as his 'own little witch' for sadistic sex and covert CIA drug muling, blackmail and prostitution operations."

"Aquino provided the ancient instructions on how to mutilate me," O says. Silver nitrite and hot exacto knives were used to carve the details of the "witch" on her vagina without any form of anesthesia. The muscles were cut so that when she flexed, they would protrude from her body showing the hideous face. This was done, not only as a "curiosity" but because, according to O, it made her vagina "suited to Byrd's tiny, underdeveloped penis," and made her "Byrd's own little witch" for "which witch is which" programming.

In 1981, Byrd joined Aquino at Huntsville, Alabama during one of the programming sessions. O says, "NASA cooperates with Byrd since it is Byrd's Appropriations Committee that determines how much and/or whether or not NASA receives any government funding. I laid naked on the cold metal table, tranced and photographically recording every word and detail of my programming and every word that Byrd and Aquino exchanged. Byrd was providing Aquino with specific details of certain perversions he wanted me equipped to fulfill or perform. Additionally, they talked about scrambling my immediate memory with two private porn films they were arranging to have produced locally... "How to Divide a Personality" and "How to Create a Sex Slave." These films are the kind NASA became involved in producing for the dual purpose of "scrambling" memory as well as documenting their mind control procedures. The resident pornographers were two local police, one of which was a Sergeant, and this serves NASA and CIA well when cover-up is necessary. I photo-identified the Sergeant and his (jailer) officer in 1990, and my life was threatened as a result of this revelation.

"The 'How to Create a Sex Slave' film depicts the common 'spin' programming, which in essence is the combination to unlocking or accessing a specific programmed act. For example, the compartment of the brain that holds memory of incest is stimulated to open when the abuse occurs again. Seeing my father's penis would 'trigger' specific responses, supposedly opening the neuron pathways of my brain to allow the part of my brain that dealt with him before to deal with him again. With 'spin' programming, the 'trigger of seeing my father's penis is replaced with a combination of specific verbal commands and a specific number of revolutions in turning my body so that anyone with the combination could access that particular part of my brain. The part of my mind originally abused by my father learned to 'like' sex... painful sex. Byrd wanted me programmed in such a way that he could decide if he wanted me to scream and cry when he whipped me, or if he wanted me to become sexually aroused and beg for more. After

programming when I met with Byrd, I would 'dance' like a music box dancer, twirling 'round and 'round until Byrd's fiddle 'music' stopped. My brain knew how many revolutions I had made whether I was capable of conscious counting or not, and the desired results were produced (and the appropriate state) accessed.

"This is but one simplified example of sex programming, and I was programmed for more than sex. But this particular incident of programming at the US Army Redstone Arsenal would change my existence entirely and set the stage for my role in covert government operations as a 'Presidential Model.'"

"The majority of my programming," O continues, "was Oz theme based, which meant the combination of codes, keys and triggers to access me were related to L. Frank Baum's Wizard of Oz. CIA cryptic language is a manipulation of the English language in such a way that words have double meaning, much the way people familiar with each other have 'inside jokes.' Since a mind controlled slave exists through their very literal subconscious, which has no way of discerning fantasy from reality, or intended meaning from literal, cryptic language is especially effective. Many CIA covert operations I was involved in occurred in public, and anyone who might have overheard the conversation would have heard something very different than what actually 'trance-spined.' For example, my escort linked arms with me like Dorothy's companions did with her when walking the Yellow Brick Road in the Wizard of Oz, which must have appeared normal or even romantic to outsiders, but signaled me that I had better follow 'directions.' He read the sign on the door 'Service Entrance'... accentuating syllables ever so slightly so that I heard him command 'Serve us. En-Trance.'

"After Aquino instilled my base sex programming, I was often taken... to Youngstown, Ohio to attend the sex slave training camp referred to as 'Charm School,'" O says. Often O was trained "with other CIA/Mob slaves." Whenever 'Charm School' was in session, O says, "there were several girls being tortured and trained at once. I have seen and known numerous girls to go through 'Charm School', but understandably very few are reported to have survived or recovered their minds enough to talk about it."

This so-called 'Charm School', O says, was owned and operated by a member of a prominent banking family, who took the name and role of 'Governor' from the movie 'My Fair Lady' in an attempt to confuse reality with movie fantasy." (In the movie, "Governor" is the cockney title given Professor Dolittle who transforms a female street urchin into a high society lady.) "Additionally, the title of 'Governor' was intended to create a scramble for the real Governor who often frequented the school as though it were a whore house." (The Governor of Pennsylvania at that time was Richard Thornburgh.)

"Charm School," O says, "meant I would be charmed, mesmerized (hypnotized), and programmed to be a high-class prostitute for politicians. I did learn their way



to walk. I learned when to talk, how to dress, how to sit, stand, etc... table manners were not taught as they were not needed since slaves endured food and water deprivation when working..." Noticeable in O's behavior is her conditioned way of sitting, walking, talking, and smiling, in a quite charming if artificial manner, not unlike the behavior of sorority girls in the South during the late '50's or early '60's.

A typical three-day course at "Charm School", O says, included the "usual factors of sleep, food and water deprivation, trauma and high voltage programming (aversive conditioning with electric shocks.) "Often experimental drugs or tried-and-proven CIA manufactured 'designer' drugs were administered which produced specific brain wave activity to maximize and/or compartmentalize programs. I usually spent the first day hanging in the dungeon.

Charm School was housed in a historic stone railroad magnet's former residence, in the basement wine cellar. "It is dark, damp and musty," O says, "and has been decorated in classic torture chamber fashion complete with hanging chains, stretching rack, whips, alter and animal altars.

"As I hung by my wrists, I could hear and smell the animals in the next cells..." A managerie of animals were kept in the 'Charm School dungeons. According to O there was a black Nubian goat called "Satan", a small donkey named "Nester", and a small white pony called "Trigger" and various dogs, and snakes.

The animals were trained to respond sexually to the smell of urine. As O describes it, "when someone entered my cell and urinated on me, I knew I would soon be released from my chains and led to the animal altar for bestiality lessons, pornography, or to please a perverse onlooker. I was hung by my ankles, stretched on the rack, burned and tortured repeatedly. My feet and hands were chained to a wall for what was termed 'off the wall sex', and I was taught 'Silence!' in Oz fashion since screaming did not produce results anyway. I was repeatedly filmed pornographically, and always taken upstairs to 'the Master's Chambers' for prostitution to various participants..."

Other programming took place at Tinker Air Force Base Near Tulsa, Oklahoma. "At Tinker, the Disney theme of Peter Pan's Never Never Land was cryptically used to further convince my child personalities that reality was fantasy, and that I would 'Never grow up' due to the timelessness of my existence. I was cryptically labeled a "Tinker-Belle", which signaled 'those in the know' that I had endured government military programming consistent with Tinker AFB mind control research and development. My 'Tinker-Belle' conditioning further enhanced my photographic memory through direct control for receiving and delivering government messages — a computerization/compartmentalization of my brain, so to speak. I was also trained in covert criminal operations, such as international drug transactions for funding the Pentagon's and CIA's Black Budgets," O says.

She was led to a secret NASA installation at Maxwell Air Force Base in Nebraska. There she experienced what she calls "the 'you can run, but you can't hide' conditioning."

"I was taken underground to a secret circular room where the walls were covered with numerous screens showing satellite pictures from around the world. These satellites are referred to as the 'Eye in the Sky', and an Air Force official explained to me that my every move 'could be monitored via satellite'. On a separate four-screen viewer, he demonstrated what in retrospect was a contrived pre-recorded slide show, with the scenes changing as rapidly as he spoke and typed it into the computer. 'Where will you run? To the Arctic? The Antarctic? Brazil? The mountains? The desert? The prairies? The hills of Afghanistan? The city of Kabul? Devils Tower (Wyoming)? Would you try to run to Cuba and live among our enemies? We can find you there. There is truly no place to run and no place to hide. The US Senate? (The picture was of Byrd) The White House? Or to your own backyard? (My father was waving from his front door, cupping his hands over his mouth saying 'come back' just like Aunt Em in the Wizard of Oz.) The moon? We got you covered. You can run, but you can't hide.' "

This well-produced and tailor-made multimedia presentation convinced O that her every move could be monitored.

O says that her "owner" Senator Byrd prostituted her routinely to other high ranking politicians in Washington, D.C. And when Byrd used her for his own pleasure it was usually with a whip and a pocket knife. O says he "picked up where my mother left off to destroy any self esteem I might have had left... He often threatened me ( and told me) that I was considered 'disposable' because, after all, 'The first Presidential Model, Marilyn Monroe, was killed right in front of the public ... and no one knew what happened.' "

"Byrd justified mind control atrocities," O says, " as a means of thrusting mankind into accelerated evolution according to the Neo-Nazi principals he adheres to. He justifies manipulating mankind's religion to bring about the prophesied biblical 'world peace' through the 'only means available' — total mind control in the New World Order — because, after all, 'even the Pope and Mormon Prophet know this is the only way to peace... (they) cooperate fully with the project..."

"Byrd justified our country's involvement in drug distribution, pornography and white slavery as a means of 'gaining control of all illegal activities world wide' to fund Black Budget covert activity that will bring about 'world peace' through world dominance and total control. 'Ninety-five percent of the people want to be led by the five percent' is Byrd's justification for mass mind control world wide, and he claims this can be proven because 'the ninety-five percent do not want to know what really goes on it government'..."

Literally Byrd's captive audience, O absorbed and remembered information that the "masterminds" behind the New World Order would never have revealed for security reasons. Since Byrd regarded her as his object, a game-piece that could be moved through life as though he were playing chess, he felt it safe to make her listen to his hidden political beliefs.

"Byrd likely would have talked to a post," she says, "and I filled the role as his silent sounding board. To date, I apply much of what I absorbed from his recitations to my survival and ultimately exposure of who is running our government, and the mind control atrocities and crimes proliferating against humanity for ushering in the New World Order..."

O identifies several of the hidden mind control centers in the U.S. One she says is at Mount Shasta California. It is used as a training and operations camp for a variety of paramilitary projects. Among other things, robot soldiers are trained there. Usually this training is done with the highest technology in invisible weaponry even, what she calls, "Star Wars electromagnetic mind control equipment."

She reveals that there is a CIA "Near Death Trauma Center" at Lampe, Missouri, and several more across the country. At these centers 'A Most Dangerous Game' is played. As her discipline and programming took over what was left of her, she was forced to do strenuous exercise for two hours a day and was programmed to "eat like a bird (Byrd)... (to keep a stunning figure.) My public image was a programmed personality that always smiled, looked and talked like the proverbial air-head blonde, and kept outsiders away by socializing only within my controlled environment..." One of the most frequented centers for her programming was MacDill Air Force Base in Tampa, Florida.

"Presidential Modeling" action, for O, consisted in taking cruise ships from Miami, Florida throughout the Caribbean and Mexico muling cocaine. "While I was robotically carrying out transactions as ordered, I was also prostituted to Central and South American drug lords and politicians and often times filmed pornographically..."

In the early 1980's her duties included passing messages to and from Senator Byrd to Baby Doc Duvalier, and Puerto Rican drug lord Jose Busto. "The working relationship between the CIA and Haiti was abruptly concluded with Baby Doc being whisked away from an uprising in Haiti by our government... along with his CIA drug profits.

"The only Drug Wars I ever witnessed in the US, Caribbean and Mexico were those launched by the CIA against its competition... The drug business was booming for the CIA.. I brought suitcases of cocaine into the Port of Miami..."

According to O, her mind-controlled existence became more complicated after Byrd introduced her to President Ronald Reagan in 1983 at a White House party. Byrd told her, she says, "When you meet the Chief, imagine him with his pants down. He's most comfortable knowing you are imagining him with his pants down. He doesn't want formality."

Apparently Reagan had seen the videos made at Huntsville: "How to Divide a Personality" and "How to Create a Sex Slave." "He was very pleased with me as though I had participated in them willingly," O says. "Within the first few minutes of meeting Reagan, he was giving me acting tips to utilize in pornography!!"

"When you become your part," O reports Reagan saying, "your performance increases, which in turn increases your ability to do your part... for your country... 'Ask not what your country can do for you, Ask what you can do for your country'... your part." Here was Reagan using one of her trigger phrases.

"Reagan explained to me that the illegal CIA covert activities I was forced to participate in were 'justified' as they funded covert activities in Afghanistan and Nicaragua." O says Reagan said: "America's Freedom Train is spanning the globe and sex is but a sidetrack to the ultimate course of freedom. Our job of procuring and transporting arms is the most difficult part of all. But it can and must be done How can a man with no arms fight?" She says he told her that covert activity was "necessary as American people raise too much hell about violence, and it is better they're not informed of our supporting wars they cannot understand..."

O says that Reagan twisted reality to fit his personal perceptions rather than adhere to Byrd's philosophies of providing rationalizations for what he deemed "the order of things."

"In typical Reagan fashion," O says, " he did not perceive mind control as slavery, but as an *opportunity* for those who otherwise would 'have been nothing in life.'"

"Multigenerational incest abused children like myself," she says, or previously impoverished baseball players from 3rd world countries and slums are provided an opportunity to 'be all they can be' through making a contribution to society, our nation, and the world by utilizing their talents to maximum potential and becoming programmed machines. With this attitude, Reagan was proud of the role he played as 'The Wizard of Oz' to Project Monarch slaves like myself," O says.

The night she met Reagan, she says, Byrd acted in the capacity of a pimp and prostituted her to the President. "He informed me that 'Uncle Ronnie doesn't sleep with his mommy', preferring his L.L. Bean flannel sheets, nightshirt and nightcap because 'they're warmer, softer, more comfortable and don't snore.'

"Reagan accessed my sexual programming, and I became 'my part' as a prostitute to 'Uncle Ronnie'." O says he did not move during sex. "After all that was 'my job.' And my job was to please him, whatever it takes... and it takes more time than anything."

She says Reagan never hurt her, but "he made sure someone else did that". "He used this as a bond to the little child personality he always accessed for sex." O says that Reagan's "biggest kink" was bestiality pornography, and his "passion for pornography escalated its manufacture and distribution during his administration. He wholeheartedly approved and encouraged porn for funding covert activity."

Many porn films were manufactured solely for the president's pleasure, sometimes according to his instructions, O says. These were referred to as "Uncle Ronnie's Bedtime Stories."

After meeting President Reagan, O says, she endured additional base programming by Lt. Colonel Michael Aquino. She says this was done largely for security reasons in order to override Byrd's control.

"Since Reagan had been shot," she says, "he took extra precautions to ensure his safety which included directing Aquino as to how he wanted me programmed. Much to Aquino's dismay and embarrassment, Reagan loved the occult role that this Army Lt. Colonel played for mind control traumatization purposes as it fit in with the public promotion of religion Reagan had launched.

"The 'masterminds' behind the New World Order," O says, "wanted to project the illusion that their mind control operatives were 'demon possessed' and that the atrocities people were witnessing were 'biblical in proportion' in order that they would feel helpless to oppose them. Without Christianity, Satanism loses its effectiveness.. but together Reagan, like Byrd, the Pope, Aquino and so many others, believed world peace would be acquired by controlling the minds of the masses through their religion. Aquino's role delighted Reagan, and he demanded that Aquino wear his black robes to a White House party to influence the superstitions of a few South American diplomats. Aquino appeared foolish in the eyes of his peers who knew Aquino's image was only a guise for Psychological Warfare, as it made Aquino look like he believed in his own facade. Aquino paid Reagan back. Minutes before I was prostituted to Reagan that evening, Aquino ordered me into a closed side room of the White House and very quickly had intercourse with me, slapped me on the behind and disrespectfully said, "Take that to the Chief."

Later, Reagan instructed Aquino to use O for various military and government installations to provide "Hands on Mind Control Demonstrations of the latest advancements in training." According to O, Reagan said the 'hands on

demonstrations' would 'educate our boys in the military to the wonders of the mind control phenomena'. And, says O, "Hands on meant sex... After all 'entertaining the troops is a long American tradition'."

O goes on to describe her programming and use as a "pigeon", one who carries secret messages locked behind post-hypnotic suggestions which must be triggered to be released. O's pigeon act was much more sophisticated than Candy Jones'.

After the Iran/Contra scandal had broken in the news, O says she was the one who delivered secret instructions from the president to Manuel Noriega. She was escorted aboard his yacht by Michael Aquino.

"I was helped onto the back of the yacht by Panamanian military guards who kept me there at gunpoint until I was cleared..." O says. After she was escorted to Noriega, he pressed a baby's ear shell into her hand which triggered the release of the message which was, as she remembers it:

"If you please, Sir, I have a message from the President of the United States of America: The successes we have enjoyed in our shared endeavors are now history in the making, who's (sic) course can not be altered — regardless of the imminent lifting of the veil by well-intentioned do-gooders. As this veil is lifted, it may shed light on you. So you must have your house in order, as does Ollie North, and cease any and all detectable activity. I will do my best to keep you under shield and out of view if you comply with these orders and cease all detectable activity at once."

O says Noriega acted insulted by this message and a moment of "ensuing chaos" reigned during which "Aquino hypnotically waved his hands in front of Noriega and dramatically spread out his satanic black cape which appeared to fill the room." Noriega was apparently a superstitious believer in something like Santeria, a Christian sect which mixes magic with practices which border on Voodoo.

"Aquino's manner was side-show-style rather than the usual somber tones used on Military bases for the Hands On demonstrations," O writes. "General, for your entertainment and in respect and appreciation of your successful enterprising 'Contra-bution', the Chief has sent his Presidential Model to demonstrate the latest technology in mind control advancements. With the flip of a switch, this pigeon becomes a kitten ( I began undressing). Quite a different animal."

O says that because of Noriega's superstition, the personality switch frightened him. "Noriega believed whole heartedly in mind control," she wrote, "but could not grasp the concept of Multiple personalities (which he perceived as demonic possession) and therefore did not adhere to the idea of one slave being trained for business and pleasure. Aquino was manipulating these beliefs of Noriega's masterfully, compounded by the notion of Aquino being a 'devil' working for

Reagan. The impact of this demonstration... would prove to be psychological warfare of the highest order administered to force Noriega to be more discrete."

Aquino then ordered her to lie on the bed and he invited Noriega to look closer at what the "Wizard" — "his Chief" — (Reagan) could create, O said. "Noriga stepped closer to see what Aquino was pointing out to him between my breasts. A large, carved baphomet appeared. Aquino had hypnotically regressed me to the time of its making which caused it to seemingly 'suddenly appear' right before Noriega's eyes..."

Noriega jumped back, terrified. "I believe Noriega stayed in the room for the rest of the demonstration simply because he was frozen in fear," O said, "Aquino hit me with a cat-o-nine-tails and I shrieked in pain. Noriega jumped. Aquino hit me with it again, this time activating me to respond sexually as though pain were pleasure — a mind control concept that Noriega more readily grasped. Then Aquino pointed out that the baphomet had disappeared as he cut me with a knife between my breasts using Byrd's hypnotic induction 'In like a knife, sharp and clean. I'll carve out what I want.'

"My trance had been deepened to the extent that my circulatory system was slowed," O said, "and I did not bleed until Aquino hypnotically changed my trance level. Aquino told Noriega that the baphomet carving had 'retreated to the depths of my body and soul, possessing me and evoking the 'heat of hell' as he commanded me to show my vaginal mutilation carving of the baphomet face. As I did, Aquino offered Noriega my sex, which Noriega refused as predicted with his eyes bulging in terror and revulsion. Aquino told him his 'rejection of me had killed me', and I ceased breathing and moving as conditioned. Noriega was dumbfounded as Aquino laughed wickedly and threatened, 'Even death would not permit me escape from the Wizard's (Reagan's) power'. He explained that I was the 'Wizard's own' and 'under his spell' and would 're-energize myself and come back to life.' He handed me the vaginal prod to masturbate myself, pushing the button to electrically jolt myself internally upon command. Noriega's eyes were enormous, he paled to a sickly gray, his mouth fell open and he ran out the door as Aquino assured him that he had 'no where to run, no where to hide from Reagan's powers.'"

According to O, Noriega interpreted the demonstration as a "threat from the depths of hell, which should have been enough to (make him) heed Reagan's commands to break the drug trafficking ties immediately..."

After I'd made the excerpts from her book I sent a draft to O for corrections. I hope I made them all. She added a few points in her letters to me that I think are worth sharing about the process of deprogramming she experienced with Mark Phillips:

Mark taught me the ins and outs of my own mind within the first 30 days of the process in order that I retrieve my memory myself... free of outside influence. By trancing myself deeper (I was already entranced), I was able to unlock various memory compartments with his knowledge of keys, codes, triggers, formulas, and accurately retrieve memory. I had to logically learn to decipher scrambles from reality. By common definition, MPD is the mind's sane defense to trauma too horrible to comprehend...

Mark's greatest influence on my deprogramming process was to help me deal with reality in order that the "incomprehensible" become comprehensible. Otherwise I would have fragmented further. He accomplished this by teaching me the revivification memory recovery method vs. the commonly used regression/abreaction method. (NLP calls this "triple dissociation".) Rather than reliving the events, I watched them on my mind's screen, deepening my trance as needed for reality checks. I untangled scrambles by using common sense(s)!... smelling the smells, seeing the views, tasting the sweat, etc... without having to re-experience the pain..

I am now reintegrated and most everyone who is qualified to judge it clinically speaking and who possesses common sense knows it..

My choice of terminology has been learned since childhood. You must remember that I had a photographic memory and I recorded all conversations going on around me. Like surgeons who don't give thought to the fact that their anesthetized patient can subconsciously hear them as they perform surgery, Aquino didn't give thought to my overhearing him talking with his "understudies" during my programming sessions and/or Hands on Demonstrations..

Mark went to extreme lengths to make sure that I reintegrated and deprogrammed into ME... not him. I had to "follow some long, hard roads" to learn certain things (seemingly) unnecessarily, just because Mark was concerned with my individuality. He could have provided me with "shortcuts" by sharing what he knows... including certain language... but no! He put me through the paces of learning all on my own, stumbling along the way... I respect him and love him all the more for his precautions to ensure he not influence me... especially considering where I have been!

This is personal... but I felt compelled to tell you so that you will better understand this aspect of my individuality and the importance of the Love Factor in the deprogramming process...



# 10

## MINDWAR

In 1981, Major Michael A. Aquino collaborated with Colonel Paul E. Vallety to produce a paper entitled *From PSYOP to MindWar: The Psychology of Victory*. The paper was submitted to *Military Review* and *Parameter*, the publication of the U.S. Army War College. It was widely circulated among the psyop community and among mind control researchers without a copyright notice. Finally it appeared in its entirety in Milton William Cooper's *Behold A Pale Horse*,<sup>36</sup> a 1991 work that deals largely with the question of Unidentified Flying Objects. In that this paper has unquestionably been placed in the public domain, and due to its brevity, it is included here in its entirety:

LTC John Alexander's *Military Review* article in support of 'psychotronics' – intelligence and operational employment of ESP – was decidedly provocative.<sup>37</sup> Criticism of research in this area, based as it is on 'existing frontiers of scientific law, brings to mind the laughter that greeted the Italian scientist Spallanzani in 1794 when he suggested that bats navigate in the dark by means of what we now call sonar. "If they see with their ears, then do they hear with their eyes?" went the joke, but I suspect that the U.S. Navy is glad someone took the idea seriously enough to pursue it.

Psychotronic research is in its infancy, but the U.S. Army already possesses an operational weapons system designed to do what LTC Alexander would like ESP to do – except that this weapons system uses existing communications media. It seeks to map the minds of neutral and enemy individuals and then to change them in accordance with U.S. national interests. It does this on a wide scale, embracing military units, regions, nations, and blocs. In its present form it is called Psychological Operations (PSYOP).

Does PSYOP work, or is it merely a cosmetic with which field commanders would rather not be bothered?

---

<sup>36</sup> Cooper, William, *Behold A Pale Horse*, Light Technology, P.O. Box 1495, Sedona, Az. 86336, 1991

*The following footnotes to MindWar are by Vallety and Aquino:*

<sup>37</sup> Alexander, Lieutenant Colonel John B., "The New Mental Battlefield: 'Beam me up, Spock'" in *Military Review*, Vol. LX, No.12, December 1980.

Had that question been asked in 1970, the answer would have been that PSYOP works very well indeed. In 1967 and 1968 alone, a total of 29,276 armed Viet Cong/NVA (the equivalent of 95 enemy infantry battalions) surrendered to ARVN or MACV forces under the Chieu Hoi amnesty program – the major PSYOP effort of the Vietnam War. At the time MACV estimated that the elimination of that same number of enemy troops in combat would have cost us 8,000 dead.<sup>29</sup>

On the other hand, we lost the war – not because we were out-fought, but because we were out-PSYOPed. Our national will to victory was attacked more effectively than we attacked that of the North Vietnamese and Viet Cong, and perception of this fact encouraged the enemy to hang on until the United States finally broke and ran for home.

So our PSYOP failed. It failed not because its principles were unsound, but rather because it was outmatched by the PSYOP of the enemy. The Army's efforts enjoyed some battlefield success, but MACV PSYOP did not really change the minds of the enemy populace, nor did it defend the U.S. populace at home against the propaganda of the enemy. Furthermore the enemy's PSYOP was so strong that it – not bigger armies or better weapons – overcame all of the Cobras and Spookys and ACAVs and B-52s we fielded. The lesson is not to ignore our own PSYOP capability, but rather to change it and strengthen it so that it can do precisely that kind of thing to our enemy in the next war. Better hardware is nice, but by itself it will change nothing if we do not win the war for the mind.

The first thing it is necessary to overcome is a view of PSYOP that limits it to routine, predictable, over-obvious, and hence marginally effective "leaflet and loudspeaker" applications. Battlefield devices of this sort have their place, but it should be that of an accessory to the main effort. That main effort cannot begin at the company or division level; it must originate at the national level. It must strengthen our national will to victory and it must attack and ultimately destroy that of the enemy. It both causes and is affected by physical combat, but it is a type of war which is fought on a far more subtle basis as well – in the minds of the national populations involved.

So let us begin with a simple name change. We shall rid ourselves of the self-conscious, almost "embarrassed" concept of "psychological operations". In its place we shall create *MindWar*. The term is harsh and fear-inspiring, and so it should be: It is a term of attack and victory – not one of rationalization and coaxing and conciliation. The enemy may be offended by it; that is quite all right as long as he is defeated by it. A definition is offered:

***Mindwar is the deliberate, aggressive, convincing of all participants in a war that we will win that war.***

It is deliberate in that it is a planned, systematic, and comprehensive effort involving all levels of activity from the strategic to the tactical. It is aggressive because opinions and attitudes must be actively changed from those antagonistic to us to those supportive of us if we are to achieve victory. We will not win if we content ourselves with countering opinions and attitudes instilled by enemy governments. We must reach the people before they resolve to support their armies, and we must reach those armies before our combat troops ever see them on battlefields.

---

<sup>29</sup> "Chieu Hoi: The Winning Ticket". MACV Command Information Pamphlet. 6-69, March 1969.

Compare this definition with that of psychological warfare as first offered by General William Donovan of the OSS in his World War II - era *Basic Estimate of Psychological Warfare*:

"Psychological warfare is the coordination and use of all means, including moral and physical, by which the end is attained – other than those of recognized military operations, but including the psychological exploitation of the result of those recognized military actions – which tend to destroy the will of the enemy to achieve victory and to damage his political or economic capacity to do so; which tend to deprive the enemy of the support, assistance, or sympathy of his allies or associates or of neutrals, or to prevent his acquisition of such support, assistance, or sympathy; or which tend to create, maintain, or increase the will to victory of our own people and allies and to acquire, maintain or to increase the support, assistance, and sympathy of neutrals."<sup>39</sup>

If the euphemism 'psychological operations' resulted from, as one general officer put it in a 1947 letter, "a great need for a synonym which could be used in peacetime that would not shock the sensibilities of a citizen of democracy," then it may have succeeded domestically.<sup>40</sup> On the other hand it does not seem to have reassured the sensibilities of the Soviets who in 1980 describe U.S. Army PSYOP as including: "... unpardonable methods of ideological sabotage including not just flagrant lies, slander, and disinformation, but also political blackmail, provocation, and terror."<sup>41</sup>

The reluctance with which the Army has accepted even an 'antiseptic' PSYOP component is well-documented in Colonel Alfred Paddock's brilliant treatise on the history of the PSYOP establishment. Again and again efforts to forge this weapon into its most effective configuration were frustrated by leaders who could not or would not see that wars are fought and won or lost not on battlefields but in the minds of men. As Colonel Paddock so aptly concludes:

"In a real sense, the manner in which psychological and unconventional warfare evolved from 1941 until their union as a formal Army capability in 1952 suggests a theme that runs throughout the history of special warfare: the story of a hesitant and reluctant Army attempting to cope and concepts and organizations of an unconventional nature."<sup>42</sup>

According to present doctrine, PSYOP is considered an accessory to the main effort of winning battles and wars; the term generally used in "force multiplier." It is certainly not considered a precondition to command decisions. Thus PSYOP cannot predetermine the political or psychological effectiveness of a given military action. It can only be used to paint that action in the best possible colors as it is taken.

---

<sup>39</sup> Roosevelt, Kermit (Ed.) *War Report of the OSS*. New York: Walker and Company, 1976, Volume I, page 99.

<sup>40</sup> Letter, Major General W.C. Wyman to Major General Lauris Norstad, 22 July 1947, quoted in Paddock, Colonel Alfred H. "Psychological and Unconventional Warfare, 1941-1952: Origins of a 'Special Warfare' Capability for the United States Army." Carlisle Barracks: U.S. Army War College, November 1979, page 77.

<sup>41</sup> Belashchenko, T., "Black Propaganda' from Fort Bragg" in *Sovetskiy Vain*. Moscow, June 1980, pages 46-47.

<sup>42</sup> Paddock, *op. cit.*, page 258.

MindWar cannot be so relegated. It is, in fact, the strategy to which tactical warfare must conform if it is to achieve maximum effectiveness. The MindWar scenario must be preeminent in the mind of the commander and must be the principal factor in his every field decision. Otherwise he sacrifices measures which actually contribute to winning the war to measures of immediate, tangible satisfaction. (Consider the rationale for 'body counts' in Vietnam.)

Accordingly PSYOP 'combat support' units as we now know them must become a thing of the past. MindWar teams must offer technical expertise to the commander from the onset of the planning process, and at all levels down to that of the battalion. Such teams cannot be composed – as they are now – of branch-immaterial officers and NCOs who know simply the basics of tactical propaganda operations. They must be composed of full-time experts who strive to translate the strategy of national MindWar into tactical goals which maximize the effective winning of the war and minimize loss of life. Such MindWar teams will win commanders' respect only if they can deliver on their promises.

What the Army now considers to be its most effective PSYOP – tactical PSYOP – is actually the most limited and primitive effort, due to the difficulties of formulating and delivering messages under battlefield constraints. Such efforts must continue, but they are properly seen as a reinforcement of the main MindWar effort. If we do not attack the enemy's will until he reaches the battlefield, his nation will have strengthened it as best it can. We must attack that will before it is thus locked in place. We must instill in it a predisposition to inevitable defeat. Strategic MindWar must begin the moment war is considered to be inevitable. It must seek out the attention of the enemy nation through every available medium, and it must strike at that nation's potential soldiers before they put on their uniforms. It is in their homes and their communities that they are most vulnerable to MindWar. Was the United States defeated in the jungles of Vietnam, or was it defeated in the streets of American cities?

To this end MindWar must be strategic in emphasis, with tactical applications playing a reinforcing, supplementary role. In its strategic context, MindWar must reach out to friends, enemies, and neutrals alike across the globe – neither through the primitive "battlefield" leaflets and loudspeakers of PSYOP nor through the media possessed by the United States which have the capabilities to reach virtually all people on the face of the Earth. These media are, of course, the electronic media – television and radio. State of the art developments in satellite communication, video recording techniques, and laser and optical transmission of broadcasts make possible a penetration of the minds of the world such as would have been inconceivable just a few years ago. Like the sword Excalibur, we have but to reach out and seize this tool; and it can transform the world for us if we have but the courage and the integrity to guide civilization with it. If we do not accept Excalibur, then we relinquish our ability to inspire foreign cultures with our morality. If they then devise moralities unsatisfactory to us, we have no choice but to fight them on a more brutish level.

MindWar must target *all* participants if it is to be effective. It must not only weaken the enemy; it must strengthen the United States. It strengthens the United States by denying enemy propaganda access to our people, and by explaining and emphasizing to our people the rationale for our national interest in a specific war. Under existing United States law, PSYOP units may not target American citizens. That prohibition is based upon the presumption that 'propaganda' is necessarily a lie or at least a misleading half-truth, and that the government has no right to lie to the people. The Propaganda Ministry of Goebbels must not be part of the American

way of life. Quite right, and so it must be axiomatic of MindWar that it always speaks the truth. Its power lies in its ability to focus recipients' attention on the truth of the future as well as that of the present. MindWar thus involves the stated promise of a truth that the United States has resolved to make real if it is not already so.

MindWar is not new. Nations' greatest – and least costly – victories have resulted from it, both in time of actual combat and in time of threatened combat. Consider the atomic attacks on Hiroshima and Nagasaki. The physical destruction of those two cities did not destroy Japan's ability to continue fighting. Rather the psychological shock of the weapons destroyed what remained of Japan's national will to fight. Surrender followed; a long and costly ground invasion was averted.

MindWar's effectiveness is a function of its skillful use of communications media, but no greater error could be made than to confuse MindWar with merely a greater and more unprincipled propaganda effort. "Propaganda" as defined by Harold Lasswell "is the expression of opinions or actions carried out deliberately by individuals or groups with a view to influencing the opinions or actions of other individuals or groups for predetermined ends and through psychological manipulations."<sup>43</sup>

Propaganda, when it is recognized as such – and anything produced by a "PSYOP" unit is so recognized – is automatically assumed to be a lie or at least a distortion of truth. Therefore it works only to the extent that a militarily-pressed enemy is willing to do what we want him to do. It does not work because we have convinced him to see the truth as we see it.

In his 'conclusions' chapter to the Army's exhaustive 1976 case-study of PSYOP techniques, L. John Martin affirms this coldly and bluntly.

"What all this boils down to is that if our persuasive communication ends up with a net positive effect, we must attribute it to luck, not science ... The effectiveness of propaganda may be even less predictable and controllable than the effectiveness of mere persuasive communication."<sup>44</sup>

Correspondingly propagandists are assumed to be liars and hypocrites, willing to paint anything in attractive colors to dupe the gullible. As Jacques Ellul puts it:

"The propagandist is not, and cannot be, a 'believer.' Moreover he cannot believe in the ideology he must use in his propaganda. He is merely a man at the service of a party, a state, or some other organization, and his task is to insure the efficiency of that organization... If the propagandist has any political conviction, he must put it aside in order to be able to use some popular mass ideology. He cannot even share that ideology, for he must use it as an object and manipulate it without the respect that he would have for it if he believed in it. He quickly acquires contempt for these popular images and beliefs..."<sup>45</sup>

---

<sup>43</sup> Lasswell, Harold D. in Ellul, Jacques, *Propaganda: The Formation of Man's Attitudes*. New York: Random House, 1965, pages xi-xii.

<sup>44</sup> Martin, L. Jon, "Effectiveness of International Propaganda" in Department of the Army Pamphlet 525-7-2 *The Art and Science of Psychological Operations: Case Studies of Military Application*, Volume Two. Washington, D.C.: American Institutes for Research, 1976, page 1020.

<sup>45</sup> Ellul, Jacques, *Propaganda: The Formation of Men's Attitudes*. New York: Random House, 1965, pages 196-197.

Unlike PSYOP, MindWar has nothing to do with deception or even with 'selected' – and therefore misleading - truth. rather it states a whole truth that, if it does not now exist, will be forced into existence by the will of the United States. The examples of Kennedy's ultimatum to Khrushchev during the Cuban Missile crisis and Hitler's stance at Munich may be cited. A MindWar message does not have to fit conditions of abstract credibility as do PSYOP themes; its source makes it credible. As Livy once said:

"The terror of the Roman name will be such that the world shall know that, once a Roman army has laid siege to a city, nothing will move it – not the rigors of winter nor the weariness of months and years – that it knows no end but victory and is ready, if a swift and sudden stroke will not serve, to preserve until that victory is achieved."<sup>47</sup>

Unlike Kihul's cynical propagandist, the MindWar operative must know that he speaks the truth, and he must be personally committed to it. What he says is only a part of MindWar; the rest – and the test of its effectiveness – lies in the conviction he projects to his audience, in the rapport he establishes with it. And this is not something which can be easily faked, if in fact it can be faked at all "Rapport" which the *Comprehensive Dictionary of Psychological and Psychoanalytical Terms* defines as 'unconstrained relations of mutual confidence', approaches the subliminal; some researchers have suggested that it is itself a subconscious and perhaps even ESP-based "accent" to an overt exchange of information. Why does one believe one television newsmen more than another, even though both may report the same headlines? The answer is that there is rapport in the former case; and it is a rapport which is recognized and cultivated by the most successful broadcasters.

We have covered the statement of inevitable truth and the conviction behind that statement; these are qualities of the MindWar operative himself. The recipient of the statement will judge such messages not only by his conscious understanding of them, but also by the mental conditions under which he receives them. The theory behind "brainwashing" was that physical torture and deprivation would weaken the mind's resistance to suggestion, and this was true to a point. But in the long run brainwashing does not work, because intelligent minds later realize their suggestibility under such conditions and therefore discount impressions and opinions inculcated accordingly.

For the mind to believe in its own decisions, it must feel that it made those decisions without coercion. Coercive measures used by the MindWar operative, consequently, must not be detectable by ordinary means. There is no need to resort to mind-weakening drugs such as those explored by the CIA; in fact the exposure of a single such method would do unacceptable damage to MindWar's reputation for truth.<sup>48</sup> Existing PSYOP identifies purely sociological factors which suggest appropriate idioms for messages. Doctrine in this area is highly developed, and the task is basically one of assembling and maintaining individuals and teams with enough expertise and experience to apply the doctrine effectively. This, however is only the sociological dimension of target receptiveness measures. There are some purely natural conditions under which minds may become more or less receptive to

---

<sup>47</sup> Keller, Werner, *The Etruscans*. New York: Alfred A. Knopf, 1974, page 262.

<sup>48</sup> See in particular Bowart, W.H., *Operation Mind Control*. New York: Dell Publishing Company, 1978.

ideas, and MindWar should take full advantage of such phenomena as atmospheric electromagnetic activity,<sup>40</sup> air ionization<sup>41</sup> and extremely low frequency waves.<sup>42</sup>

At the root of any decision to institute MindWar in the U.S. defense establishment is a very simple question: Do we wish to win the net war in which we choose to become involved, and do we wish to do so with minimum loss of human life, at minimum expense, and in the least amount of time? If the answer is yes, then MindWar is a necessity. If we wish to trade that kind of victory for more American lives, economic disaster, and negotiated stalemates, then MindWar is inappropriate, and if used superficially will actually contribute to our defeat. In MindWar there is no substitute for victory.

Within this article there looms layer upon layer of meaning. It's obvious that the authors of MindWar are familiar with the techniques of NeuroLinguistics Programming and/or hypnosis. They argue that a clear future should be suggested, which is a powerful tool of communicating with the unconscious called "future-pacing". They also suggest that the MindWar be waged covertly,

---

<sup>40</sup> *Atmospheric electromagnetic (EM) activity:* The human body communicates internally by EM and electrochemical impulses. The EM field displayed in Kirlian photographs, the effectiveness of acupuncture, and the body's physical responses to various types of EM radiation (x-rays, infrared radiation, visible light spectra, etc.) are all examples of human sensitivity to EM forces and fields. Atmospheric EM activity is regularly altered by such phenomena as sunspot eruptions and gravitational stresses which distort the Earth's magnetic field. Under varying external EM conditions, humans are more or less disposed to the consideration of new ideas. MindWar should be timed accordingly. Per Dr. L.J. Ravitz: "Electrodynamic field constructs add fuel to the assumption unifying living matter harmoniously with the operations of nature, postulating that each biologic thing is organized by a total dynamic pattern, the expression of an electromagnetic field no less than non-living systems; and that as points on spectrums, these two entities may at last take their positions in the organization of the universe in a way both explicable and rational... A tenable theory has been provided for emergence of the nervous system, developing not from functional demands, but instead deriving as a result of dynamic forces imposed on cell groups by the total field pattern. living matter now has a definition of state based on relativity field physics, through which it has been possible to detect a measurable property of total state functions." (Ravitz, Leonard J., M.S., M.D., F.R.S.H., "Electro-magnetic Field Monitoring of Changing State-Function, Including Hypnotic States" in *Journal of American Society of Psychosomatic Dentistry and Medicine*, Vol. 17, No. 4, 1970.)

<sup>41</sup> *Ionization of the air:* An abundance of negative condensation nuclei ("air ions") in ingested air enhances alertness and exhilaration, while an excess of positive ions enhances drowsiness and depression. Calculation of the ionic balance of a target audience's atmospheric environment will be correspondingly useful. Again this is a naturally-occurring condition – caused by such varying agents as solar ultraviolet light, lightning, and rapidly-moving water – rather than one which must be artificially created. (Detonation of nuclear weapons, however, will alter atmospheric ionization levels.) See for example Soyke, Fred and Edmonds, Alan, *The Ion Effect*. New York: E.P. Dutton, 1977.

<sup>42</sup> *Extremely Low Frequency ELF waves:* ELF waves (up to 100 Hz) are once more naturally occurring, but they can also be produced artificially (such as for the Navy's Project Sanguine for submarine communication). ELF-waves are not normally noticed by the unaided senses, yet their resonant effect upon the human body has been connected to both physiological disorders and emotional distortion. Infrasound vibration (up to 20 Hz) can subliminally influence brain activity to align itself to delta, theta, alpha, or beta wave patterns, inclining an audience toward everything from alertness to passivity. Infrasound could be used tactically, as ELF-waves endure for great distances; and it could be used in conjunction with media broadcasts as well. See Playfair, Guy L. and Hill, Scott, *The Cycles of Heaven*. New York: St. Martin's Press, 1978, pages 130-140.

invisibly, which any NLP practitioner knows has more effect than addressing the problem up front, to the conscious mind, which would only lock a state in, bringing forth all sorts of defense responses and making change more difficult.

Aquino and Vallely's footnote referring to the first edition of *Operation Mind Control*, methinks, protests too much, especially since this book does not single out drugs as the main tool of mind control, and a successful psyop of that day was "Just say No" to drugs. Most students of NLP know that negative phrases can be used as effective embedded commands to produce the opposite effect. Most parents know, when dealing with a young child, to try a little reverse psychology. The "just say no" slogan, and the billboards with a photo of a man with a gun up his nose and the slogan "Say No to Cocaine" under it, may have been just part of a successful psyop campaign which got Americans to take more drugs. It's well-known by now that the "war on drugs" is a complete failure. The extent to which the cryptocracy's black funds depends upon the drug trade is also widely noted. George Bush gave the game away, many believe, during one of his televised debates with Clinton when he wiped his nose in an involuntary response after he said the word "cocaine."

The MindWar article is quite revealing even though it is written to appeal to the War College and the community which, it turns out, is the number one target of mind control, the military. The authors of MindWar have a vested interest in playing the old standby "War on Drugs" tune, in the "garbage in/ garbage out" system which makes up not only the standard American education, but especially the standard military education when it comes to the "soft" subjects.

The authors give their Nazi leanings away when they cite Goebbels and Nazi examples, but that fits right in with the large Nazi German contingency which was incorporated into the cryptocracy under Operation Paperclip.<sup>52</sup> "Denying enemy propaganda access to our people", the authors suggest is desirable without so much as a glance at the Bill of Rights which guarantees freedom of speech etc. Goebbels would be proud of them, yet they claim that the "Propaganda Ministry of Goebbels must not be part of the American way of life." Whatever that means – perhaps an example of good MindWar deniability technique, first you say one thing in a disguised fashion, then you deny that it means what it means. Does this seem all too familiar? And as Paul Wilcher's letter to Janet Reno ( in the chapter FIRES OF WACO) indicates PSYOP units have, at least on that occasion, for 51 days, targeted American citizens within the U.S. The authors state that U.S. law does not permit that. But they cleverly deem no recognition of the existence of a cryptocracy which operates above the law.

---

<sup>52</sup> Simpson, Christopher, *BLOWBACK, America's Recruitment of Nazis and Its Effects on the Cold War*, Weidenfeld & Nicolson, New York, 1988.



One of the authors, Michael A. Aquino was a disciple of Anton Levey's Church of Satan for ten years. The C of S was among a half dozen Satanist churches and organizations which were influenced by the magical secrets of National Socialism in Germany. A number of radical-right groups had tried to ally themselves with The Church of Satan, including the American Nazi party and Robert Shelton's United Klans of America. Publicly, LaVey had maintained his distance. Secretly, there was reason to believe that a strong bond existed.

As author, Arthur Lyons notes in *Satan Wants You*, "... the historical affinity between occultism and the radical right has been well documented. Both believe and adhere to the conspiracy theory of history – that is, the events are shaped by the workings of small, elite, but concealed groups – and both believe in the ability of one man, whether it be a Magus or a Hitler, to alter global events through the sheer force of his will.

"Radical rightists saw an ally in LaVey presumably because of his Machiavellian, power-oriented philosophy and because of public statements he'd made advocating establishment of a "benign police state," not to mention the strong Germanic flavor of some of his rituals..."<sup>53</sup>

A 1971 *Newsweek* article expressed concern about LaVey's political intentions: "If there is anything fundamentally diabolic about LaVey, it stems more from the echoes of Nazism in his theories than from the horror-comic trappings of his cult."<sup>54</sup>

That the cryptocracy hides within the radical-right goes without question. Perhaps through outright rightist patriotism or insidious effects of mind control a number of Nazi and Satanist organizations are funded, guided and controlled by the cryptocracy.

The editor of the Church of Satan's newsletter, Michael Aquino, accused LaVey of selling priesthood's and, in 1975 broke with him to found the Temple of Set (Set being a lesser known name for the Devil himself.) According to one declassified Army Intelligence file (#81-776) the Temple of Set "is a small group but nonetheless has several hundred members and operates on a National level. Aquino is the official head of the organization and rules the organization through a council of nine, who are in fact his chief lieutenants." An 1981 check of files of the FBI by Colonel Donald Press, concerning the Temple of Set "reflected no record of such an organization."

---

<sup>53</sup> Lyons, Arthur, *SATAN WANTS YOU, The Cult of Devil Worship in America*, Mysterious Press, 666 Fifth Avenue, New York, N.Y. 10103

<sup>54</sup> *Newsweek*, "Evil, Anyone?", Aug. 16, 1971.

While spokespersons for the Church of Set would deny that the Church is politically aligned with Nazism, they admit to a fascination with Nazi black magic. In fact, following the footsteps of SS leader Heinrich Himmler, on October 19, 1992, Aquino held a magical "working" in the Hall of the Dead in the North tower of Wewelsburg Castle. Wewelsburg was conceived by Himmler to be the focus of the Hall of the Dead, and was frequently used in secret Nazi SS rituals to summon the powers of darkness at this "their most powerful locus."

In a paper entitled *The Wewelsburg Working*, Aquino describes the results of his black magic ritual:

First, the suction-like impression of the inflow of certain realizations and kinds of knowledge (accompanied by an almost 'electrical' sort of exhilaration), which seemed to have 'remained dormant' pending an 'activating' Working of this sort. Second, an extended 'reverberation' or 'echoing' of the focus of this Working within the Walhalla, culminating in its sending-forth into the material world.

The central features of the various principal occultisms of the 19th and 20th centuries CE ran through my consciousness almost as a pageant. I understood the object of this to be an exposure of contrasts, inaccuracies, and inconsistencies - a vast, spiraling dialectic designed to clear away the debris of sectarianism and superficiality in the search for the key principles of the true Powers of Darkness.

Concepts of 'will', 'intelligence', 'self-consciousness', 'initiation', and 'magic' appeared in turn and fall aside as well... The intelligent mind cannot be 'escaped' so easily. If it is argued, convinced, threatened, hypnotized, drugged, or diseased into non-rational channels, then its self-consciousness will merely reassert itself in some other form. This, I understood in the Wewelsburg, was the 'magical epitaph' of Nazi Germany: that, in fighting against certain features of the mind, it had seemed at first to succeed - but then had thus unleashed other, even less desirable features of that same mind which had previously remained in some rough degree of socially-controlled equilibrium before this ultimately disastrous experiment in 'conscious evolution' was attempted.

The chamber in which I stood, I now realized, was nothing less than an SS laboratory for experiments in 'conscious evolution' - a sort of 'Kraut machine' without computerized, science-fiction accoutrements. It was not designed to teach or educate, rather to mirror and enhance thoughts and impulses already in existence. Hence its effect on the consciousness could be devastating for better or for worse..

Here in the Hall of the Dead, Heinrich Himmler's Sanctum Sanctorum and 'Mittelpunkt der Welt', was the Earthly focus of that which has been thus symbolized by the Order of the Trapezoid. The reality of this chamber rushed in upon me. This was no Hollywood set, no ordinary room painted and decorated to titillate the senses. 1,235 inmates of the Niederrhagen concentration camp died during the reconstruction of the Wewelsburg for the SS. If the Marble Hall and the Walhalla were memorials to a certain unique quality in mankind, they also serve as grisly reminders of the penalty which mankind pays for that quality.."

Lyons offers a chilling quote by Aquino, one which, in light of present developments has the uncanny ring of the prophecy of a cryptocracy insider:

"We are fortunate that the Auschwitz taboo prevents people from looking too closely at... Nazi Germany, or from experimenting with any of its regular governmental doctrines. Because they work. They are the essence of true political power. Anti-Semitism is irrelevant to them... It is ironically true that a right-wing backlash in the United States -- which is what the neo-Nazis are hoping for -- would wipe them out first. If an American Fuehrer does appear, he won't be wearing a uniform with a swastika armband. He will wear a business suit, and he will be calling popular attention to the patriotic virtues in 1776."<sup>55</sup>

One has to wonder, is Aquino himself a victim of mind control? Could he simply be mentally ill? Or both, for as you shall no doubt begin to ask, where does one begin and the other leave off, for the victimizers as well as the victims?

An article in the *National Enquirer*<sup>56</sup> was headlined: "*Devil Worshiper Holds Sensitive Army Post and Top Brass Say 'No Problem.'*" Written by Chris Fuller the article said: "A senior U.S. military intelligence officer with a secret security clearance admits he's also the founder and high priest of a satanic church -- and amazingly the Army says "no problem"!

The article quoted Aquino saying: "My religion has been no secret in the Army." It said Col. Aquino served as a psychological warfare specialist in Vietnam and "is now a reserve officer working full-time on extended duty at the Army's reserve personnel center in St. Louis." He admitted satanic terminology is used in his church's rituals, adding: "We are quite proud of that."

"Col. Aquino's satanic church is advertised in the yellow pages in San Francisco, where he was stationed from 1981 to 1986," the article said. "He says most members are in the U.S. and Canada although 'we have a sprinkling of members in places like Western Europe and the Pacific.'

"The Constitution's guarantee of freedom of religion protects Col. Aquino from action by the Army," the article quoted Lieut. Col. Greg Rixon, an Army public affairs officer in Washington, D.C. saying. "As long as an individual's religious practice remains within the limit of the law, there is no problem."

The 1981 intelligence file previously cited reports: "Allegedly, Aquino has sexual identity problems and is known to frequent prostitutes in San Francisco in order

---

<sup>55</sup> Lyons, *Op Cit.*, p. 174.

<sup>56</sup> Lest the reader stick his/her nose up in the air, I quoted the N.E. for its path. Also see Amer. J. Ortho-psychiatry report on child-victims, S.F. Chronicle story, San Francisco Examiner story, West magazine report ARMY OF THE NIGHT and others supporting same.

to become involved in various forms of Sadoomasochistic sexual activities. It is believed that Aquino is bi-sexual."

In the November 1987 issue of *Newsweek* magazine tabbed him "the second beast of revelation" in the wake of a criminal investigation by the San Francisco Police Department involving allegation of child molestation. A year earlier, a civilian child day-care worker at the Presidio Army base was charged by police in connection with the alleged molestation of as many as 60 children. The allegations against the day-care worker, Gary Hambright were:

He had taken children to private homes, including two on army property, where they had been sexually molested.

Other children talked about a 'googoo' game in which they were urinated and defecated on by 'Mr. Gary.'

Pencils were used to doodle on the skin and genitals of the children and were also inserted in at least one child's anus.

A gun was pointed at the head of an adult in front of the children.

There were five confirmed cases among the children of clamydia, a sexually transmitted disease.

All charges against Hambright were eventually dropped. The parents of the children said it was because strong pressure was put on the federal investigators and the San Francisco police.

Then, Aquino's face appeared much older in a 1988 article in the San Jose Mercury News. Bylined Linda Goldston the article read: "Six months after the U.S. Attorney's Office closed the Presidio child sex abuse case, the Army has launched a new investigation of one of the original suspects in the matter – a high-ranking officer who founded a satanic church, according to those close to the probe.

"Lt. Col. Michael Aquino, founder and high priest of the Temple of Set, has been formally notified of the criminal investigation and had his top security clearance suspended, according to sources. Most of the sources would speak only on the condition that they not be named.

"Neither Army officials nor Aquino would discuss the investigation which revolves around allegations that children were sexually abused at the day care center run by the U.S. Army at the Presidio of San Francisco."

Aquino, 42 at the time, was by then stationed in St. Louis. He had been branded, he said, in the earlier probe by allegations against him and his wife. He called the investigation a witch hunt, and vehemently denied any wrongdoing. No charges were filed against Aquino in the earlier investigation and charges against another man were dropped.

Lt. Col. Greg Rixon, spokesman for the Department of the Army at the Pentagon, said, "It's still a privacy matter until charges are brought... I don't know what will transpire next."

Others "close to the investigation" which was being conducted by the Army's Criminal Investigation Division in Washington -- said that parents involved in the original sex abuse case were being re-interviewed and told about the new probe.

"In our case, we've been told that he's (Aquino) under investigation for kidnapping, sodomy and knowingly and maliciously making false charges against another officer," said Michelle Adams-Thompson whose then-3-year-old daughter first accused Aquino of molestation

Adams-Thompson and her husband, the Rev. Larry Adams-Thompson, the former assistant chaplain at the Presidio, were informed of the new probe Nov. 23 by an investigator for the CID. "He has officially been titled," said Larry Adams-Thompson.

According to Mary Melanson, spokeswoman for the CID in Washington, being titled under the uniform code of military justice means "we feel there is sufficient evidence to believe a crime has been committed," the article said.

"The closest thing in civilian terms would be a grand jury indictment," Melanson said.

"The new investigation is the latest move in the case, which began when one boy said he was molested in November 1986 at the day care center, and grew to include allegations that as many as 60 children were involved.

"Charges were filed and withdrawn twice by U.S. Attorney Joseph Russoniello against Gary Hambright, a Southern Baptist minister and former civilian worker at the day care center. Russoniello's controversial decision to formally close the case in June came after an 18-month investigation by the FBI and the Army," the article said.

Russoniello had said he did "everything we could to build a case," but, he said, he thought prosecution would not be successful. In addition to the 60 alleged cases of sexual abuse, investigators looked into two arson fires at the day care center.

They confirmed that five children had contracted chlamydia, a sexually transmitted disease.

"The seriousness of the new investigation is reflected in the suspension of Aquino's top security clearance," sources told the *San Jose Mercury News*. His security clearance had not been suspended during the previous investigation of the same case.

Aquino said in November 1987 that, "I have consistently since 1969 held either a secret or a top secret security clearance."

Aquino first was investigated in August 1987, after the Adams-Thompsons' daughter recognized him and his wife, Lilith, at a store at the Presidio, according to a San Francisco police report. The little girl identified Hambright from a photo lineup and said she had been driven to the Aquinos' San Francisco home by Hambright.

When she was driven to Leavenworth Street by investigators and asked to identify any of the houses she had been to before, the girl identified the Aquinos' home. The child also accurately described some features of the home, including a room with black walls. To police she identified Aquino as "Mikey" and his wife, Lilith Sinclair (aka Pat Wise) as "Shamby."

In statements to therapists and investigators, some children said they were abused at the day care center; others said they were abused while on field trips to private homes away from the center.

Twenty-two families filed \$66 million in personal injury claims against the Army in connection with the case. Parents alleged that the Army's negligent operation of the day care center led to the abuse of their children. The Army refused to comment.

Aquino began to fight a media campaign against his persecutors. On February 17, 1988, Oprah Winfrey invited the Aquinos to answer for themselves before a national television audience.

On the show Aquino told Winfrey: "The Army has known about my religion for the entire span of my Army career, which began in 1968, and there was a reasonable amount of curiosity, as there has been all the way along, with what exactly is this strange and unusual thing. And I have talked about it, much the same way that I've talked here today on your show about it. And other than that the Army has paid very little attention to it, the same as it would to anybody who's, say, a follower of Hinduism or of Buddhism or any other slightly unusual religion today?"

Continuing from the transcript of the Oprah Winfrey Show prepared by Journal Graphics, Inc.:

WINFREY: So you just go about your Army duties and it's fine?

AQUINO: Uh-huh.

Following her usual format Winfrey takes questions from the audience:

2ND AUDIENCE MEMBER: ...How do you apply your form of Nazi occultism within your brand of satanism? When you review your material, you'll see Nazi occultism reflected through it.

AQUINO: How do we approach the Nazis' attitude towards --

2ND AUDIENCE MEMBER: How do you apply your form of Nazi occultism into your brand of satanism?

AQUINO: We do not advocate any of the Nazis' political principles, whatever. There was a good deal of occult study that went on during the Third Reich in Germany, and because the records of that exist, we have studied that much the same as we have studied magical records from a great many cultures throughout history. But I think if you have reviewed our literature at all, you will also find that there is a very strong prohibition against the sort of political and social values.

WINFREY: What you're telling us, Dr. Aquino, is that you are a good satanist?

AQUINO: We are indeed.

2ND AUDIENCE MEMBER: Are you pro-Hitler?

AQUINO: No, I am not pro-Hitler.

2ND AUDIENCE MEMBER: Are you against Hitler?

AQUINO: I am against Hitler.

2ND AUDIENCE MEMBER: But when you look in the material that you have, which I have some of it here, you can see the endorsement of Nazism.

MRS. AQUINO: You don't see any endorsement of Nazism. We're talking about occult practices of the Third Reich. We're not talking about their political and their social behavior, their criminal behavior. And that's very explicit in our literature, and it's pointed out in great detail, simply because people will misinterpret it just as you have done.

2ND AUDIENCE MEMBER: I just read it.

MRS. AQUINO: Read it again.

And yet later Winfrey brings on the usual panel of experts, among whom is Johanna Michaelsen, author of *The Beautiful Side of Evil* after one of the audience has said they witnessed the murder of a man when they were a member of the church, and another has brought up the alleged satanic practice of ritually murdering children.

MS. MICHAELSON: Well, I think that what's important to realize is that, in a sense, Colonel Aquino has a point in that not necessarily every single satanist group would do that (murder infants). Certainly we can't sit here or Officer Jones can't sit here and say, "Yes, we can prove that Mr. Aquino and his people are doing this." However, it is rather –

WINFREY: Because wouldn't it be hard for him to be a lieutenant colonel in the U.S. Army –

MS. MICHAELSON: Oh, not at all.

WINDREY: No?

MS. MICHAELSON: And in fact I firmly believe that many in the U.S. Army are deeply involved and perhaps have gone beyond what he publicly is willing to admit to going to. I mean, they're not going to sit here and say, "Yes", we murder children...

A short time after that Detective Larry Jones , an investigator of satanism, joins in the discussion.

DET. JONES: .. We're hearing reports from survivors from across the country there are documentations coming in. The police are educating their own. In the last two or three years we've accepted the firefighters' philosophy that where there's smoke there's fire, and we're getting enough reports, we're starting to believe it.

WINFREY: Of child molestation. You were accused also of child molestation, were you not, Dr. Aquino?

AQUINO: And what he refers to is one of the cruelest examples of persecution that extends not just to people who are acknowledged satanists but to a great many innocent people around this country who are being accused wrongfully of ritual abuse of children on virtually no evidence at all. And to dispute what he has said in case after case after case for years and years, when these have been brought before investigation, where they've been brought into indictments and trials, again and again they've been thrown out because the so-called evidence –

WINFREY: They've been thrown out because nobody believes the children, nobody believes the children...

MRS. AQUINO: There's no evidence.

MS. MICHAELSON: Well, that's exactly right. Who's going to believe in a modern civilized society that people are capable of such horrors? Few of us are willing to deal with it. So that when a three-year-old and a four-year-old or a six-year-old or even an adult survivor comes up and says, "I have seen children murdered, I have been a part of slaughtering little animals. I've been told my family will be killed if I speak up. I was placed in a coffin. I was forced to drink things that are hideous beyond belief," who's going to believe them? Which of you would say, "Oh, yes, this happens every day?" And I think this is one of the things which people, who are



indeed expert in brainwashing techniques, as I know you ( to Aquino) yourself are a recognized expert in that, would count on that.

And a few moments later Winfrey is talking in the audience to a man identified only as 3rd Audience Member.

**3RD AUDIENCE MEMBER:** With the doctor here, he was mentioning that no one's coming up with the bodies. I'm a criminal investigator; I investigate court-related crimes. And I've been now involved in a number of cases with the last, well, one individual, of course, killing his mother and stepfather as well as a Circle convenience store clerk, worshipping before his altar, before he went out to do this, and offering them up in human sacrifice.

**WINFREY:** And Dr. Aquino would say, "Well, where is his card to prove that he is a certified member of the satanic church?"

**3RD AUDIENCE MEMBER:** Well, first of all, Dr. Aquino, he's in prison. Okay, that's number one. The second case, which the altar was brought into the courtroom and tried; the body was never found, the legs was found, and he was very much a satanist. Every one of the cases that I've investigated now extending over 200, I have found this particular book that has been there.

**WINFREY:** Which is The Satanic Bible.

**3RD AUDIENCE MEMBER:** And I understand that there's traditional satanists, and I focus mainly on the non-traditional or self-stylist satanist. I understand that. But to say that there is no bodies and that these people are not committing crimes is the farthest from the truth.

**WINFREY:** Yes, ma'am? You wanted to say something?

**AQUINO:** Are you in fact a law enforcement official yourself attached with a law enforcement agency?

**WINFREY:** Yes, he is.

**3RD AUDIENCE MEMBER:** Yes, I am. I'm a commissioned law enforcement officer as well as with the courts in Logan County.

**AQUINO:** I would respond to that, that there may be indeed a number of people with warped personal value systems who, considering the devil to be something evil, might excuse their vicious deeds because of that. But I would deny that that's part of the satanic religion.

Earlier when Winfrey asked if human or animal sacrifices were performed at his temple, Aquino became indignant. He said that such talk "perverts" the idea of Satan. Aquino said that Satanists work "for the good of humankind," and that Satanism is a distinctive brand of human psychology.

Aquino brought suit against the Secretary of the Army in 1991 seeking to amend the Army report of criminal investigation about him and to recover damages caused by "inaccuracies in the report." Within two months Circuit Judge Niemeyer found: " that the secretary's decision not to amend was not arbitrary or capricious. Finding no reversible error, we affirm."

Judge Niemeyer's judgment went on to reveal that the investigation against Aquino was closed because "all further leads involved adults who refused to cooperate, and the applicable three year statute of limitations had expired in June 1989...

"... The child-abuse charges remained, because 'the evidence of alibi offered by LTC Aquino was not persuasive."

In *The Book of Coming Forth by Night*, written in 1985, Aquino describes a number of peculiar dreams and visions, expressing a consistent interest in mind control. Paraphrasing Crowley's *Book of the Law*, Aquino wrote:

The Equinox has succumbed to my Solstice, and I, Set, am revealed in my Majesty... I am the ageless Intelligence of this Universe... and from my manifest semblance, which alone is not of Earth. Known as the Hebrew Satan, I chose to bring forth a Magus, according to the fashion of my word. He was charged to form a Church of Satan, that I might *exactly touch the minds of men* (emphasis added) in this age they had cast for me.

Aquino is bright and "well educated." He graduated with honors from Santa Barbara High School in 1964 and was the National Commander of the Eagle Scout Honor Society of the Boy Scouts of America in 1965-66. He received a Department of the Army scholarship to the University of California and after graduation served his country as a Psyops officer in Vietnam where he received the Army Commendation Medal, Air Medal, Bronze Star, Vietnamese Cross of Gallantry from the Vietnamese Government, an Oak Leaf Cluster to the Army Commendation Medal, and a second Oak Leaf Cluster in 1980.

Not only is Aquino a citizen in good standing with the U.S. military (now the reserves), he's a member in good standing in academia. He is, in fact, a doctor, having obtained his Ph.D. in Political Science from the University of California, Santa Barbara in 1980. His dissertation was entitled *The Neutron Bomb*. His resume says he's qualified in International Relations, Comparative Politics, American Government and Political Theory. For several years he was a consulting faculty member of the U.S. Army Command and General Staff College at Fort Leavenworth Kansas. He's a member of the National Advisory Board of the American Security Council, a member of the World Future Society and the L5 Society and the Academy of Magical Arts, Inc. ( the "Magic Castle" of Hollywood.)

Michael Aquino speaks fluent German as did his mother, the late Betty Ford. His interest in Nazism and intelligence may have been inherited from her. She was a child prodigy who was the youngest writer for *The San Francisco Chronicle*, and one of the youngest graduates of Stanford University. In the 1930's she lived in Germany and became close to a high-ranking SS officer, whom, it is said, she sculpted in the nude. It is not known whether Ms. Ford worked for Axis or Allied

Intelligence agencies. She was certainly qualified for such spy duties during WWII. But perhaps she did no more than pass on unfulfilled interests in intelligence and Nazism to her son.

Other than his hard-core catechisms for the Temple of Set, one of Michael Aquino's resumes cites three books he's written as "future sequels to the film Star Wars: *Secret of the Sith*, *Pantehnikon*, and *Xronos*. He has been reported as having been identified standing outside the gate at Sky Walker Ranch forcing copies of these manuscripts upon people employed by George Lucas. Since Lucas does not receive "unsolicited manuscripts" the manuscripts were returned unopened upon several occasions. One was subsequently published in a monster magazine.

The bizarre theatrical nature of Michael Aquino would appear unbounded. At least, so says more than one eyewitness to some of his more ingenious mind control work.



Satanic U.S. Army Psyops Col. Michael Aquino's religion is protected under the Constitution of The United States of America. Not only does he have the right to worship any god he chooses, a recent Supreme Court ruling found that a soldier in the army had the right to practice satanic rituals. At least one satanic soldier has been buried in Arlington National Cemetary for many years. (Photo courtesy of Linda Blood author of *The New Satanists.*)

## PROJECT MONARCH?

**P**roject Monarch, according to Mark Phillips<sup>57</sup>, is a U.S. Defense Department project begun in the 1960's. Its code name was assigned to a subsection of the CIA's Operation Artichoke which later became Project MKUltra. The Oxford English Dictionary might shed some light on why this code name was chosen:

**Monarch 1.** In early use, a sole and absolute ruler of a title of king, queen, emperor, or empress, or the equivalent of one of these...

**3.** A very large red and black butterfly (*Danais Plesippus*)... The Monarch... is one of the commonest species throughout a great part of North America.

**Butterfly 1.** An insect belonging to any of those diurnal species of lepidoptera, or scaly-winged flies, which have knobbed antennae, and carry their wings erect when at rest.

**2.fig.** A vain gaudily attired person (e.g. a courtier who flutters about the court); a lightheaded, inconstant person; a giddy trifler.

**b.** Applied to something flimsy, like a butterfly's wings. **4.** The guide for the reins on the front of a hansom cab, named from a fancied resemblance to a butterfly with extended wings...

So-called "Presidential Models", the most highly prized products of the Project Monarch mind control factories have a distinct (conditioned) habit of sitting very erect with their legs daintily perched. They serve kings and presidents and high ranking government officials as sex slaves. They are controlled by invisible reins. The Presidential Models have "fluttered about the White House" and European hideaways which, in another day, would have been the "courts." While they appear to be "lighthearted" and "inconstant" sex slaves, they are trained at the art of pillow talk and do, in fact, have memories like human tape-recorders.

---

<sup>57</sup> Phillips, Mark, *The Top Secret Project Monarch*, Arab, Alabama, 1994.

Phillips says Monarch was spawned from the collected research of top SS Nazi Scientists over the years 1927-1941. The identified leader of this research was Heinrich Himmler who was, as we have learned from Michael Aquino, a master of the "black arts". Fascinated by both occultism and genetic theories, Himmler's team of scientists took a "genealogical approach to transgenerational behavior modification". The idea was, apparently, in Phillips terms, to apply "trauma based" mind control to children for three or more generations so that the psychological aberrations which were conditioned would "breed true"

"The German government Top Secret ("BLACK ARTS") research was originally considered to be a significant "bonus" by-product of the US Department of Defense's Project 63 also known as Project National Interest. Project 63 was dedicated to the secret importation of a group of German Nazi and Italian fascists scientist whose areas of expertise were primarily physics, psychiatry, microbiology and pharmacology. Although Project Monarch has not been declassified... it nevertheless has become a household word among a multitude of Intelligence Community operatives."

Mark Phillips is a respected if controversial figure among researchers. Some think he's telling the truth about his background. Others think that he is a former cryptocrat who had a change of heart and is running great risk telling what he knows. Still others believe that he's still working for the cryptocracy as a disinformation agent. Three of his clients I've talked to sing his praises. All say that he helped them in ways in which the other psychologists or psychiatrists who treated them could not. Amid the swamp of name-calling and suspicion which makes up the "conspiracy underground" one researcher said he thinks that Phillips' most articulate client is a CIA agent and Phillips is under her control. None, however, have come forth to refute the information he gives, or dispute his credentials, so we can do no harm in repeating the information he offers, especially since it's been confirmed by others.

Phillips came by the Project Monarch information, piecemeal, when, as a young man, he was hired by a government sub-contractor (which he does not want to name as a precaution against lawsuits.) His job was in the sales and engineering department of one branch of this firm which had developed through its independent research an array of electronic devices which could be of great use in the cryptocracy's burgeoning mind control research. Through his exposure to some customers (military bases and State mental institutions) that were so sensitive, the government required him to obtain a "Top Secret" clearance from the US Department of Defense.

"I was required to take battery after battery of psychological tests... and when they were through they knew I would keep my mouth shut before I saw or heard anything," Phillips says.

"Then, I saw sensory deprivation tanks, electric grid rooms, harmonics generators, chairs wired for shock and sound, special "helmets" now known as "virtual reality" helmets which allow the wearer to see in three dimensions.

"I heard of formulas for mind altering hypnotic drugs that made LSD look like aspirin. I personally met scientists who were traveling the world, gathering seeds, leaves, roots and herbs from such places as the jungles of Zimbabwe. They were even consulting witch doctors looking for drugs that could affect the human brain and make predictable zombies.

Phillips said he talked to agents who studied with African witchdoctors like Credo Vusa'mazulu Mutwa. The stories of tokoloshe's they told Phillips matched this excerpt from Mutwa's story *MY PEOPLE, Writings of a Zulu Witch-Doctor*:<sup>58</sup>

A tokoloshe is not a ghostly or supernatural phenomenon. He is a physical human being, and he operates along perfectly scientific lines. Muhundi had used a very small pigmy whose weight he had drastically reduced with a severe diet. He had furthermore turned the little creature into a zombie by a simple interference with his brain. A sharp awl can do the trick. He was posted up the marula tree and along a branch that reached across to the roof of Kambela's hut. With a long thong he lightly descended upon the roof of the hut and wriggled his skeletal little frame through the grass roof. He escaped the same way.

This weird practice has today been perfected into a fine art. Cases are known to me where wizards have arranged the fake death of a particular person whom they have selected for a prospective zombie. The person is actually buried, but exhumed the same night and revived. He is then turned into a zombie and many days or weeks later heavily decorated with parts of other people's bodies, also exhumed from graves, the puppet is induced to pay a particular victim an unexpected visit. The victim simply dies of fright. It is as simple as that. Any chance eye-witness will relate a beautiful tokoloshe story to the police, and the police will dismiss it as so much nonsense.

In later generations the wizards perfected their art of tokoloshe-making and they started breeding tokoloshes from childhood. As recently as 1922 there was a secret tokoloshe farm kept by a gang of wizards in the Drakensberg in Basutoland.

With the arrival of the white man and Christianity, the killing of children who were born cretins and idiots went out of fashion, and these grotesque specimens of humanity grew plentiful. But an idiot is something no one misses should it mysteriously disappear -- the parents least of all -- and many of these idiots, particularly female, landed up in the hands of these wizards. They reared them, and when they were adult, they mated with them and kept them in dark caves for their children to be born. Often in Basutoland - the land of ritual murder -- the babies were brought into the world the cesarean way with no concern over the life of the mother. Parts of her body were used for medicines that were administered to her own baby to make it grow up in an atmosphere of deep evil.

The baby was reared by other idiot women who fed it a mixture of the milk of dogs, donkeys and cows, and the blood of ravens and vultures. At the age of six months it

---

<sup>58</sup> Mutwa, Credo Vusa'mazulu, *MY PEOPLE, Writings of A Zulu Witch-Doctor*, Anthony Blonde, London, 1969, Penguin, 1971.

was subjected to specialized treatment for its particular task of the future. It was made to develop a crooked or hunch back by strapping it to a curved piece of wood. The legs too were strapped into attitudes that encouraged their growth into grotesque shapes. At the age of twelve the tongue was damaged to destroy speech. The child was taught to hate the world and idolize its wizard master.

It was then put through a course of queer tricks ranging from tree climbing with its crooked limbs to burrowing underground. It was taught ways to commit murder and to remove all its tracks afterwards. When it had reached the age of about twelve, the wizard had in his hands a lean featherweight puppet-like creature, an *unthinking robot that obeyed every command [emphasis added]* – a creature worth a hundred head of stolen cattle to the one who bred and trained him.

Genuine tokoloshes are today found only in Basutoland and Nyasaland, where hiding places in the mountains can still be found for them.

With the difficulties in breeding, rearing and keeping this kind of tokoloshe these days, the wizards have resorted to using baboons and monkeys. Their young are nowadays turned into the weirdest monstrosities and can be taught to do considerable damage to their master's enemies.

There is currently a growing market for tokoloshes in South Africa. A trained monkey or baboon tokoloshe fetches as much as twenty-eight pounds.

The tokoloshe is no figment of the imagination. The word tokoloshe means 'a great mysterious evil'. The Bantu will never portray one in a carving. When a Bantu describes something as a tokoloshe, he says 'a mysterious evil' and means 'mind your own business'.

Cryptocrats on both sides of the "Iron Curtain" created modern tokoloshe's. Phillips read the "pinks" (classified documents) which summarized the KGB's progress in selective and mass mind control techniques. To his surprise he found that the U.S. cryptocracy had cooperated with the Soviets and others in their mind control development.

"There was even a Top Secret Soviet weapons system which incorporated yet another "exotic" version of mind control – electromagnetic directed energy – the Scalar Weapons System."

One variety of mind control he found to be "hideously simple. It did not require any sophisticated electronics such as Ether Wave (Harmonics)," Phillips said.

This simple mind control technique involves only isolation (incarceration) deprivation of stimulace, clocks, and sleep; controlled intake of food and water; electroshock at precise intervals, high voltage for pain, lower voltage for the induction of implanted suggestions, hypnotic suggestions (often drug induced) all in combination.

"This," Phillips said, "was considered a 'secret weapon'.



"I was told that we tested this 'secret weapon' on captured spies. We found out everything they knew and made them forget how we found out. Then we reprogrammed them to return to their mother country and spy for us, then return when triggered to be reprogrammed.

"It seemed humane enough for the espionage business, but then I heard of 'suicide agents' programmed to perform a task they could not possibly complete without being captured by the enemy. I knew then that our spies no longer needed to carry a cyanide capsule with them on their missions. The use of this 'secret weapon' made it possible that, if a spy was caught, there would be a 'natural' failure of one or more of their organs. Their subconscious mind had been reprogrammed right over the top of their genetically encoded mind to facilitate this self-induced suicide. Better blue lips than loose lips! If they were caught, this program would 'kick in' and they would 'die of natural causes,'" Phillips said.

From the circle of cryptocrats with whom Phillips associated, he heard many bizarre tales. One was that Idi Ami had learned from a book by an obscure Nazi scientist how to somehow facilitate his sudden rise to power by cannibalism – particularly eating the small walnut shaped pituitary gland and spinal cord of human beings. He heard of "electronic possession" which is created by transmitting voices into the minds of "expendable" individual test subjects via compressed microwaves.

"I heard of hideous crimes being committed by members of 'brainwashed' cults," Phillips said. "Serial killings were on the increase 200 fold. Some of the killers blamed Satan for their exploits and crimes, others could not legitimately remember anything. I heard that the leader of one religious cult had been 'educated' at the cost of over 2 million US dollars by a Pakistani secret service agent, who himself was educated by the same US Intelligence unit that President Carter denied existed, the one which trained a Cuban spy, Manuel Noriega, who later became a double agent, formerly of Panama, now a Florida 'resident'— of one of our best prisons.

"I noticed how Rev. Jim Jones' former lawyer, Tim Stone, was apparently running 'containment' for the CIA in Marin County, California. And I personally knew of this US Army Major promoted to Lt. Col., attached to the Psychological Warfare Division and the Defense Intelligence Agency, who had ingeniously organized a "church", legal under the First Amendment of the Constitution. I learned that this Lt. Colonel, Michael Aquino, had, like Jim Jones, been supported by politicians and the CIA.

"What I didn't know at the time," Phillips said, "was that this operation would encompass every evil known to mankind. Sexual perversion, slavery, tortures of

the mind and body, even ritual cannibalism. Age seemed to be no barrier -- children were being used in Satanic rituals, filmed pornographically, and beautiful young women used for Project Monarch, trained to sexually service politicians, bankers, law enforcement officials, and to mule drugs, and carry secret messages locked behind post-hypnotic blocks. These people are now being bought and sold -- specifically programmed to tasks too disgusting to describe."

Phillips is talking about slaves of the cryptocracy, human "butterflies" created by Project Monarch. Many were assassinated after they were no longer useful. They were "thrown from the Freedom Train," Phillips says.

According to Phillips, Project Monarch has four distinct levels of behavior modification named Alpha, Beta, Delta and Theta.

Alpha is considered "'regular programming.' This is actually what would be considered the 'base control personality'. Originally the purpose of Alpha programming was to condition the mind through torture so that Black Ops mercenaries and espionage agents could perform certain difficult tasks. This program also locks in photographic memory and improves physical strength. Visual acuity is radically improved. It develops in the individual a number of almost super-human traits.

"Alpha programming," Phillips says, "is accomplished through deliberately subdividing the victim's personality, which in essence causes a left-brain-right-brain division, which then allows for a triggerable reprogrammed union of left and right through neuron pathway stimulations. Once this is accomplished you have a person who can utilize both sides of their brain at once for any simple task.

"Beta programming deals with the primitive mind's reproductive system and sex programming. It eliminates learned moral convictions and stimulates the primitive sex instincts devoid of inhibitions. This training program is for developing the ultimate prostitute -- a sex machine. This is used most by the abusers knowledgeable of the MKULTRA Project Monarch program," Phillips said. (Apparently there are good guys and bad guys even within the cryptocracy?)

"Children of knowledgeable persons are being preconditioned through incest and "sold" into the conspiracy for additional Beta conditioning to eventually satisfy the bizarre perversions of politicians, bankers, drug lords, or anyone deemed valuable."

Phillips says that Delta programming, "was originally designed to train special Black Ops and espionage agents' minds for becoming terrorists devoid of fear and basic self preservation instincts capable of incredible feats of physical endurance and murder. Delta eventually was used to train 'a new breed', one who kills and, if caught, self -destructs. This program is now applied to some Beta prostitutes who

double as drug mules – to protect the identity of their owners. If they are caught, they die of 'natural causes' or suicide.

Theta programming is: "Psychic programming which evolved into bio-medical human telemetry and directed target energy involving lasers and/or electromagnetics, the results of which are referred to as 'electronic possession'. It's the ultimate challenge for the 21st century exorcist, providing he works a day job as a skilled CIA supported neurosurgeon."

Theta programming, Phillips said, "involved the surgical implantation of sodium/lithium powered high frequency receiver/transducers coupled to a multi-range discharge capacitor that, when signaled by remote control, would electronically stimulate designated parts of the brain to signal the victim to respond according to his or her hypnotic program.

"These "Delgado" experiments were only partially successful," Phillips said, "with a high mortality and paralysis rate. However, the technical mind control equipment evolution has advanced to levels well beyond the grasp of most people. Non-implanted, non-programmed victims will hold the largest majority since, in the 1990's breakthroughs were made which allow mind control without either implant or trauma base".

The new Theta programming," Phillips said, "operates by computer driven satellite directed energy. Now, anybody can become a target of the new technology.

The original physical apparatus for mind control were, according to Phillips, "rather complex and cumbersome. There were elaborate sound and light-proof sensory deprivation isolation chambers using exotic suspension fluids that could mimic weightlessness. Direct current high voltage and very low amperage electroshock devices, plus designer drugs, were the most important tools of the trade as the brain is electrically and chemically powered.

Voltages ranged from .072 volts to 200,000 depending on application and to what part of the body it was to be administered. There were 'strap on' head and foot devices that could deliver a mild altering shock of an exact duration according to the subject's brainwave activity and/or heartbeat. Other portable handheld stun gun type devices can delivered shocks up to 200,000 volts for the instant control of the human conscious mind.

"A great deal of successful research and development went into the effects of harmonics or inaudible sound waves that affect the RNA covering of the neuron pathways to the subconscious," Phillips said. "Harmonics generators, code named ether-wave, are capable of subconscious mind embedding detailed messages -- commands linked to audible triggers. This is known as electronic programming

and is a standard programming device in all forms of Project Monarch. Hence the reason many Monarch survivors (drug mules and prostitutes) recall being taken onto certain US military bases and "Freedom Ranches," that are trauma centers for 'reprogramming.'

"Mind altering drugs, both natural and synthetic compounds," Phillips said, "were discovered and developed which can instantly alter certain brain/thought functions. These were developed from modern medical technology and discovered from ancient shamanic and witchcraft formulas.

"The components list is not immense. A sound proofed burial casket makes a great sensory deprivation chamber similar to the one being used at a Kentucky (CIA) conditioning camp in which Delta, Alpha, and Beta victims are regularly put for 'reconditioning' and 'programming' for drug muling assignments. The only other components needed are devices to hang victims upside down by their ankles, cattle prods -- the cylinder type -- that are inserted deep into the vagina or rectum for a simulated 'orgasm with the devil.'

"High voltage (up to 200,000 volts DC) hand-held law enforcement type stun guns are a must tool for the victim's owner to erase certain memories," Phillips said.

"They are used on the muscle area of the victims within two hours of the 'to-be-forgotten' event, and to control the victim's 'insane' fits of rage if they are mistakenly triggered to perform a pre-conditioned task when they are at the moment in the 'wrong personality.'

"The only other component the Beta owner must possess," Phillips said, "are a diary or a damn good memory of their programs, keys/triggers, and a working knowledge of hypnosis. In other words, a small briefcase will contain everything a Beta owner needs to control his slave... completely... forever...

"The formula for Beta programming is the exact same as for Alpha. The only difference is that through a series of specific tortures and commands the Beta victim retreats deeper into their (71 % are female, 100% are MPD's most recently called DID) primitive mind: The results are, you have a person with a child-like insatiable sexual appetite. This re-tapped sexual appetite is 'developed' in the formative years through constant incest with a father figure.

"What begins as unbearable pain to a child's mind," Phillips said, "quickly switches to a sexual desire for the very person who was abusing her -- daddy and/or uncle. This mind-altering phenomena is known now as the Stockholm Syndrome. This reversal is the key to all programming. Pain becomes pleasure, up is down. Hence the reason Colonel Michael Aquino adopted the satanic philosophy of reversing everything including bad is good."

Phillips said the first victims of Project Monarch were captured spies and dissidents from friendly and unfriendly nations. "Unfortunately for the second group," Phillips said, "there weren't enough (victims) caught to properly study the so-called Manchurian Candidate.

"The second group, it is alleged," Phillips said, "were bright aggressive young men who had applied to Officers Candidate School (OCS). These men took entrance exams and psychological tests that revealed whether or not they would become 'candidates' for Project Monarch. If their entrance psychological exams revealed they were victims of child abuse they were most often chosen.

"These eager young men were allegedly told that they couldn't go to OCS for whatever reason but they could 'volunteer' for a career in intelligence and with their Top Secret 'training' they could develop incredible super human physical and psychological abilities. These human guinea pigs volunteered for the destruction of their persona with a 'just sign here.'"

Phillips says he knows the identities of some of the main villains of Project Monarch. They existed, he says, at the top of the U.S. Government. They appear to have focused, he said, "not on recreational sex, but on drugs -- billions of dollars annually in heroin and cocaine muled into the US via cruise ships and private and commercial airplanes, etc., etc., etc.

"The sale of these drugs is allegedly supporting the CIA's illegal covert action habits," Phillips says. "The CIA doesn't have a 'Black Budget' like the Pentagon boys. They earn theirs the 'old fashioned way', by importing and selling drugs through elaborate networks of distributors to users that the CIA has decided to cultivate. They also consume a lot of their own product!

"There are drug lords, politicians ( federal, state and local) corrupt law enforcement personnel (federal, state and local) big name entertainers who themselves usually own a Beta victim or two which they trade among themselves like livestock.

"When one of the Betas reach 30 years of age or so, they are often used in snuff porn movies, or what is termed 'thrown from the Freedom Train.'" Phillips has passed out a lengthy list of the abusers, many of whom are high on the Washington, DC social register. He hopes the media will eventually wake up and target them with a legitimate investigation.

"Psychological mind control techniques, formulas and equipment, unlike nuclear weapon systems, can be reproduced without exotic and expensive component systems," Phillips said. "In the privacy of one's own home, virtually anyone of

average intelligence , a little information and no conscience can create their own mind control slaves.

"Mind control is out of control. It's just as lethal as nuclear war byproducts, however through genetic engineering psychology, the 'evil' seed is passed on generation to generation," Phillips said. "Trauma based mind control promises a world of 'white slavery' for the Chosen Ones of the 21st Century. It could turn out to be the largest 'cottage industry' in the world. Immense in terms of profits, death and destruction of the innocent, unless the trend is stopped and those responsible in government and the private sector are punished and the survivors/victims given rehabilitative psychiatric care."

As has been pointed out, according to Phillips, the majority of Project Monarch victims are female (71%) who have Multiple Personality Disorder aka Dissociative Identity Disorder (100%). They have been or are used in commercially and privately produced pornography (100% interviewed) which is often the "underground" kind containing bestiality, child/adult, child/child, adult/infant, sado-masochistic, satanic/occult films, videos and magazines.

"Older victims were frequently tattooed for easy identification with a so-called blue monarch butterfly, a rose, or both.<sup>50</sup> This practice became more or less abandoned in the early 1970's and was replaced by the victim wearing butterfly hair barrettes, large butterfly earrings, pins, necklaces, bracelets or embroidered insignias to 'advertise' their art of expertise to insiders. This rule applies to 100% of the victims I've interviewed," Phillips said.

"All Monarch survivors were victims of brutal sexual child abuse, who have been found to be multi-generational incest victims whose upbringing seems to cluster around Jesuit Catholic, Mormon or Charismatic Christian believers, or U.S. Intelligence families. Many victims have been adopted. Survivors, once in the standard therapies are usually triggered to possess homicidal and/or suicidal ideations. This has only recently been determined to be the result of the sophisticated trauma based psychological programming.

"Victims almost always possess multiple electric prod (stun gun) scars and/or the resultant moles in the muscled areas of the back, arms, neck and thighs," Phillips said. "Some victims are also vaginally mutilated through 'body piercing' (rings placed in nipples, vaginal lips or clitoris) or through elaborate carving of the vaginal area. Also they often possess branding scars from irons or hot knives over various parts of their bodies."

---

<sup>50</sup> The blue Monarch butterfly, which Phillips says was often tattooed on the "models" bodies in the early days of the project is extinct. The last one was seen in the early part of this century, on the slopes of the San Francisco Bay area not far, he says, from where Michael Aquino made his home.

Monarch witnesses tell of pornographic sessions, tortures and "programming" taking place at the following bases: Papillion, Nebraska; Ft. Campbell, Ky.; MacGill AFB, Tampa, Fla.; Kirkland AFB, Albuquerque, N.M.; Homestead AF; Langley Research Center, Langley, Va.; Panama City, Panama; and Redstone, McClellan, Patrick, Grissom and Maxwell Air Force Bases.

Seeing the use of brainwave frequency names to describe types of programming brings us to a couple operating under the name Social Movements Recovery Center (SMRC) out of Boulder, Colorado. Survivors have told me that SMRC may be a "damage control" operation whose purposes are part of the cryptocracy's effort to smudge the memories of the many recovering "Monarch" victims. The two instructors who present SMRC "training to law enforcement personnel on deviant social movements and ritual crime" according to information circulated at their seminars, are Jim McCarthy, M.A. and Cynthia Byrtus. McCarthy holds degrees, their hand-out says, in Philosophy of Religion, Systematic Theology and Comparative Religion, and has "performed doctoral work in Social Psychology through the University of Colorado."

According to the bio circulated, McCarthy has been a research assistant and associate for a research team funded by the National Institute of Mental Health and The Center for the Study of New Religious Movements at the Graduate Theological Union at Berkeley. He was the co-founder and executive director of the "Bethesda Psychealth Institute", a center for research and treatment of "deviant ritual behavior and abuse," in Denver. According to the bio he is also a member of the Institute of Police Technology and Management of the University of North Florida, where he instructs courses for "law enforcement personnel on deviant social movements and ritual crime." He is also an adjunct staff member of the Adanta Group, Behavioral Health Services in Somerset, Kentucky and has served as a consultant for "over two hundred agencies here in the U.S. and abroad." He has defined an alleged "syndrome" which he calls "Marionette Abuse Syndrome". He describes his work as "deprogramming".

McCarthy's partner in SMRC is Cynthia Byrtus, a self-described "survivor of multigenerational intrafamilial ritual abuse (incest, sexual, physical and emotional abuses)." According to the company bio she was diagnosed as having Multiple Personality Disorder in 1980 and has been involved in intensive psychotherapy since that time. In 1989 Cynthia developed an instructional program according to the hand-out "for law-enforcement on MPD and ritualistic abuse. She teaches this program to the expanded class of the Deviant Social Movements course at the Institute of Police Technology and Management in Jacksonville, Florida, and various other police agencies across the country."

At present, the hand-out says, both are "engaged in discussions with professionals who are training and consulting on the treatment model, 'Eye Movement

Desensitization and Reprocessing Procedure' EMDR (which sounds like the source might be NLP) in order to better understand and work with clinicians using this procedure and to possibly recommend applicable integrative aspects of this procedure into our specific areas of expertise."

At first I tried to interview McCarthy who told me that he'd never heard of any government or military programming from any of his clients. That statement contradicted the information published in the SMRC hand-out. A follow-up interview with Byrtus under one of my pseudonyms found a seemingly overly defensive woman who wanted to know my credentials. She said that she knew nothing of Candy Jones, yet Candy's book is cited (the title is wrong) in their list of resources. When I spoke of the mysterious mindcontroller reported by the "survivors", Dr. Green, Byrtus was adamant about his authenticity. She told me that the Dr. Green, or Greenbaum myth was true, as the "survivors" are saying. Byrtus indicated that she had proof that there was a Nazi mind control doctor by that name. She also said that there was a "Project Monarch" and their literature gives a comparative chart which lists Alpha, Beta, Delta, Omega, Theta and Gamma/Epsilon with a different explanation than that supplied by Mark Phillips.

A survivor who has "been around the track of existing treatments", so to speak, attended SMRC seminars, heard their tapes, and received the treatment of Byrtus. The survivor told us that, while Cynthia Byrtus' material includes many of the symbols and systems of programming which she knows are true, Byrtus "puts her ego into the therapy. It doesn't work. It actually suppresses memories. It doesn't unlock them, like Phillips' therapy does." This survivor suspects that SMRC is a government affiliated "damage control" project aimed at keeping the survivors of "Monarch" from remembering too much.

Maybe it's just one survivor's opinion, but this survivor took the trouble to prepare her own paper several years ago on the so-called Marionette Programming:

**Dr. Green is allegedly a Nazi war criminal who was hired by the CIA and was thus given access to children throughout the U.S. because he traveled to military bases and appeared to have worldwide resources. He is also known by other aliases including Herr Doktor, Faraday, and David. Dr. Green is also associated with Heinrich Muller, head of the Gestapo and Heinrich Mueller, a Nazi doctor who did experiments on animals that were grotesque (survivors believe there is a Nazi Dr. Green -- they saw similar experiments).**

We have other information on the possible identity of Dr. Green but will withhold it from this edition pending further research.



The goals of the doctor appear to be to train a force to prepare for the return of the antichrist... and overthrow the world in 1999. The callback was to be for 1991 for cults to gain all possible manpower for the final takeover. It also gives a year for reprogramming and retraining for the antichrist's appearance...

There are significant internal names in these marionette systems and include some of the following: Sisters of Light, Mothers of Darkness, Program Director, Master Programmer, Grandmother (with 3 faces), Grand Wizard, Grand Master and others.

At least two parallel program systems which are first implanted in the very young children by teaching them to sing nursery rhymes and through fairy tales. These are built on year after year with hypnotic suggestions so that when the client begins to remember one part of the memory, it triggers many memories.

The following books and tales have been known to be used: Snow White, Alice in Wonderland, Rose White and Rose Red, Lost Horizons, Wizard of Oz, tall book of Make-Believe, Sleeping Beauty, and also the game Candyland. They are often programmed while very young, then let go with a heavy call-back program to return approximately 18-21 years -- beyond the rebellious years.

Something like this is described in O's book.

There are usually computers within the system. Sometimes there is one in every level, or one in each section of the matrix (depending on the form the matrix takes). The program often used the Greek alphabet.

Split-brain programming is done with a specific kind of torture and/ or hypnosis that leads the survivor to believe they cannot have access to both sides simultaneously without amnesia. There are usually bridges between the sides, and sometimes they are actually alters.

There are common internal images in these survivors. It includes trees; i.e. tree of knowledge, green tree, kabala tree. Doll house (which may hold the computer), vortexes or black holes which can pull alters between levels (a little like booby-traps), hourglass (may be a matrix), ribbons, cords, wires, mirrors, jewels, mazes, alters of the man with glasses, Dr., or Dr. Green, seeds, dots, waves, riptides wind/ocean, daisies, birds, porcelain faces, pits, elevator shafts, worms, glass balls, ships, shells (for silence), and cylinders.

The number of layers has to do with levels of power... The layers may include names like external world, our world, Atlantis, Troy, Heliopolis, Phoenix, the ship, Shangri-La, the computer, etc. Their

names are often dependent upon the type of rituals that were used (i.e. Satanic, Pagan, Etc.)

Alters can go back and forth between systems and can have no hearts and no faces. There may be clones (robots)— that is artificial alters that are made of plastic or metal that look like human alters, but have switches or keys on their backs or necks. Some of the programming is done with cricket noises (or a noisemaker that is a clicker).

At the end of this report there is a disclaimer:

These notes are not to be taken for fact -- they are ideas and clinical observations as shared by survivors. There are probably variables and differences within each marionette survivor, and the accuracy of reporting what's inside is a subjective experience often changed by time and/or severe torture. It is also possible that some of this information is disinformation designed to confuse the survivor or anyone else attempting to help them out of these many hypnotic and torturous suggestions and images.

Another survivor described the coded programming of the "Rainbow" variety:

I am an intergenerational ritual abuse survivor who is struggling to get to the bottom of cult-related behavior and programming, past and present. At a recent conference on child abuse, with some emphasis on ritual abuse, I heard Cory Hammond and Roberta Sachs speak of Greek letter programming, a rather complex combination of using Greek letters to stimulate certain pre-induced cult-related behavior, in combination with an imaginary computer keyboard in the survivor's brain. The implication was that programming in the ritual abuse survivor had become so complex as to be virtually impenetrable by the therapist trained to deal with "feelings and behaviors." What I left with was a feeling of helplessness and hopelessness, that there was no way for a conventionally trained therapist to deal with this maze of codes, and, therefore, one might as well give up.

I was intrigued by the information, nonetheless, and determined to find a way to manage this information in my own life. In discussing the codes with other survivors, we began coming up with concurrent information about access codes of a simpler nature. I presented the information I had gleaned from these discussions to my therapist, who has been my guide and helper in my painful journey. He has been ever willing to learn from his clients and seemed undaunted by the prospect laid before him, and was willing to listen, learn and assist. In follow-up, I was able to, with his help, abreact situations

where codes were induced, where codes were used, and where codes were reintroduced due to destroying barriers between certain feeling states in the process of therapy. I have verified this information with other survivors, who have been able to see the use of codes in eliciting behavior on their part, and uncovering memories of code induction and code-related cult activity.

The following is a list of codes used in the life of this survivor (and apparently the lives of other survivors) to obtain certain programmed behaviors:

- 1) **CODE GREEN:** Used to induce self-destructive or suicidal behavior. Code green usually refers to code induced suicide or self-mutilation. Sometimes survivors associate this code with a Dr. Green. Generally, this program is induced and in place for the event when the survivor begins therapy or therapy has proceeded to such a state that much memory is being recovered. It related directly to the "no talk" code of secrecy. A survivor would rather "die than talk." Sometimes it is necessary to dismantle this code first so that a survivor feels free to remember, and the possibility of self-destructive behavior is eliminated or reduced.
- 2) **CODE BLUE:** Induces freeze mechanism where a victim is essentially unable to move until another code is induced. Code blue acts like a verbal "stun gun."
- 3) **CODE RED:** Used to induce anger and rage and elicits cult-related murderous activity.
- 4) **CODE YELLOW:** Induces jealousy in combination with rage, and an attitude of "get even."
- 5) **CODE BLACK:** Induces participation in rituals; i.e., "put on your black."
- 6) **CODE WHITE:** protective code indicating unthouchability. I am not certain as to its use other than to keep law enforcement at bay when white cars are parked in the vicinity of cult-related activity. I have suspected this to be in use when I see persons heading for a ritual dressed in a "big white shirt."
- 7) **CODE 911 EMERGENCY:** Used to induce superhuman strength or behavior of a self-protective or emergency nature. When used it induces trancing and then deliberate course of action minus any feelings. Sometimes used as protection for cult members who, as they are survivors themselves, have a tendency to freeze or panic or otherwise are unable to act in self-protective manner in an emergency situation, or when they need to "cover" for the group. This code carries with it a resistance to calling the real 911 number when a person is threatened or harassed.

8) CALL YOUR OPERATOR, CODE 911: Used on an answering machine when a survivor is screening calls or is otherwise unable to answer a telephone call. The answering machine automatically answers a phone call, at which time the following recording is played: "If you would like to make a call please hang up and try your call again. If you need assistance, please dial your operator. Code 911." This message is sometimes repeated several times, accompanied by the beep-beep-beep sound of a phone left off the hook, and then by a dial tone. The survivor is pre-programmed to call a certain phone number, "the operator", for further instructions.

#### HOW CODES ARE INTRODUCED:

These codes are pre-programmed using the usual induction methods of torture, drug-induced trances and accompanied by electroshock. The coding itself requires little time to induce in a person already dissociated, and may not even be seen as "lost time" in an ordinary day's activities. The codes call upon feeling states currently in place, although walled off, and usually are associated with one or two such feeling states per code. They are also sometimes paired with a cult alter with a name and a prescribed role attached to the name. In other words, sometimes it is only necessary for a particular name to be mentioned for the feelings to surface and the code related behavior to be acted upon. Therapists frustrated with the task of "getting at feelings" can use these codes as an indirect approach to helping a survivor see how he/she is accessed (oftentimes currently), and then approach from a feeling level.

#### EFFECTS OF CODE USAGE ON ADULT AND CHILD SURVIVORS:

I have seen a stepped-up approach to using these codes because of the occult's 1999 (some therapists report the date a multiple of 666 X 3 = 1998, which, following occult numerology, would make the exact day June 6, 1998 - WHB) timetable, and their frustration with so many survivors remembering and attempting to heal themselves. The coding is so often accompanied by current day harassment, reducing the survivor to a child-like state of fear and panic, making them open to further assaults by the group. It is a hideous way of reintroducing trauma into the life of a person struggling to regain control of his/her life.

In my own life, I have been able, with the help of my therapist and my child, to uncover not only the original coded information, but to access memories where the codes have been used not only to access me, but to induce in my child the fear and helplessness necessary to

control my child so as to give access to me. My child, who is not yet 18, was used to such a degree that we had to move into separate residences, therefore, eliminating from my child's life the presence of a caring, nurturing individual ready and willing to share with my child the pain and suffering of that childhood. This divide-and-conquer mechanism seems to be a last-ditch effort on the part of occult groups to ensure animosity between survivors who would otherwise be of great value in the nurturing, support, and validation essential to the healing process.

#### RESPONSIBILITY, A TEAM EFFORT:

Understanding of the codes means knowledge that the behavior induced by the codes is subconscious versus conscious. This does not mean that the person induced to perform certain behaviors is not accountable for that behavior. What it does mean, I believe, is that it is incumbent upon each individual to uncover their own particular codes and to make an effort to dismantle them as quickly as possible. To do so does not mean just to know of their existence. It also requires a conscious effort to really "see" the feelings behind the coded material, to nurture the "inner children" and sometimes the inner adults, and to replace the coded behavior with conscious behavior aimed at reducing the code's effectiveness. To inculcate this conscious behavior requires repetition of replacement behavior as the coded behavior does not miraculously disappear once the codes are made conscious. Until feelings are uncovered and dealt with, the codes retain some of their power.

(Note: The above would not be recommended by many therapists. Getting in touch with traumatic feelings can reinforce the trauma. Perhaps something along the lines of the "Six Step Reframe" as explained in John Grinder and Richard Bandler's book *Reframing* would be more effective -- or a "triple dissociation pattern," using the dissociated state to further dissociate from the trauma and, shifting submodalities, to desensitize the survivor from it. Also it is important to communicate a full understanding that survivors are not their behavior, that they can have choice in all future behaviors, once they're free of their programming.)

This gifted survivor issues another stern warning:

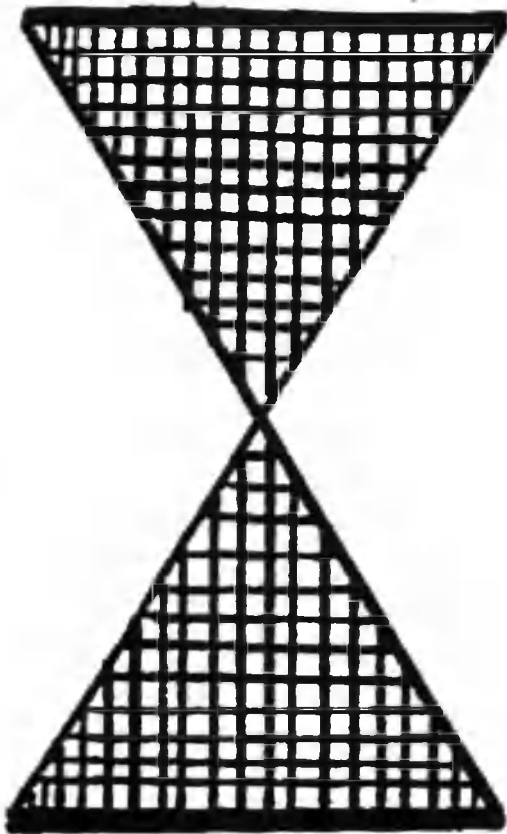
**I would hope that therapists reading this would not dismiss this material out of hand simply because it is not the work of a trained therapist. I would hope that therapists would be open to the possibility that this coding exists in their clients, and they could work with survivors in uncovering previously unconscious coded programs and behavior. Working with the codes does require a**

**certain amount of caution, as sometimes just saying a particular color will induce code related feelings. Therapists should also be aware that these codes can also be introduced simply by wearing a garment in the code-related color. This is not to introduce an element of hysteria, but an element of caution and concern for the survivor and his/her particular triggers. This material can be managed, and it is a truly exciting process; to become aware of other-directed control. It enables a survivor to regain a large amount of conscious control over situations and behaviors that would otherwise put them at risk for current day access.**

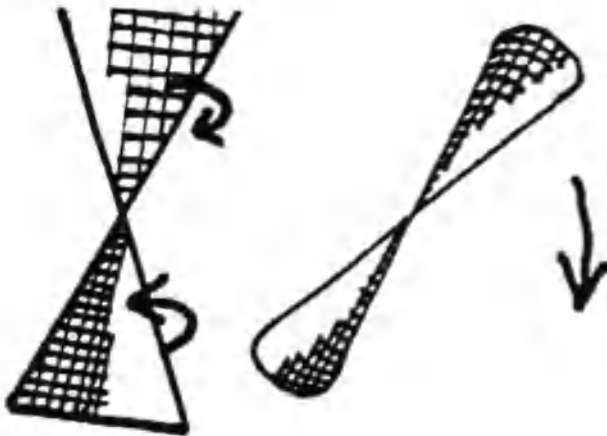
"We adult survivors," this survivor concludes, "need to be aware that much effort was used in our childhood's to program participation in cult activities. As we reach adulthood and uncover buried trauma, the cult has an even greater stake in "helping" us forget. We are lifelong members in their eyes, and every effort will be made to keep us "in control" and "under control." We have a choice as to whether or not we allow this to continue. Remembering our own programs can help put us on our own road to recovery and safety."

**NOTE TO SURVIVORS:** We would like to collect the codes, cues and triggers you have remembered so that we can map the evolution of this programming over the years in different situations and locations.

**NOTE TO THE LAY READER:** Until you've seen a survivor of Project Monarch triggered, you may have no idea what all this means. Perhaps our video *Operation Mind Control* will give you some reality on the subject.



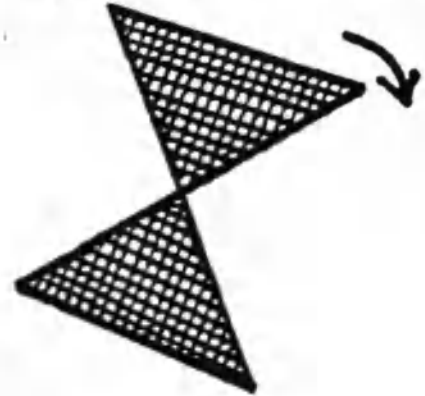
1.



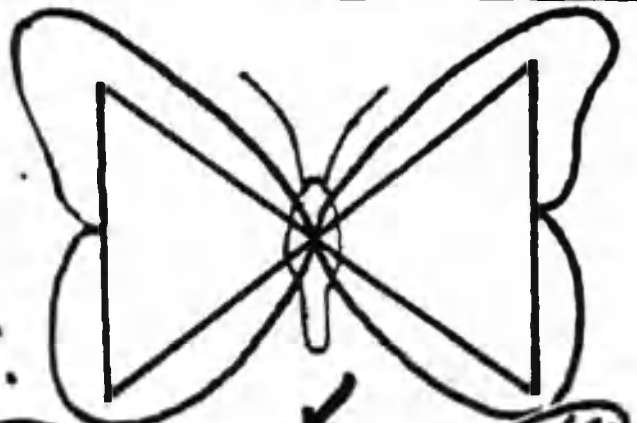
2.



3.



4

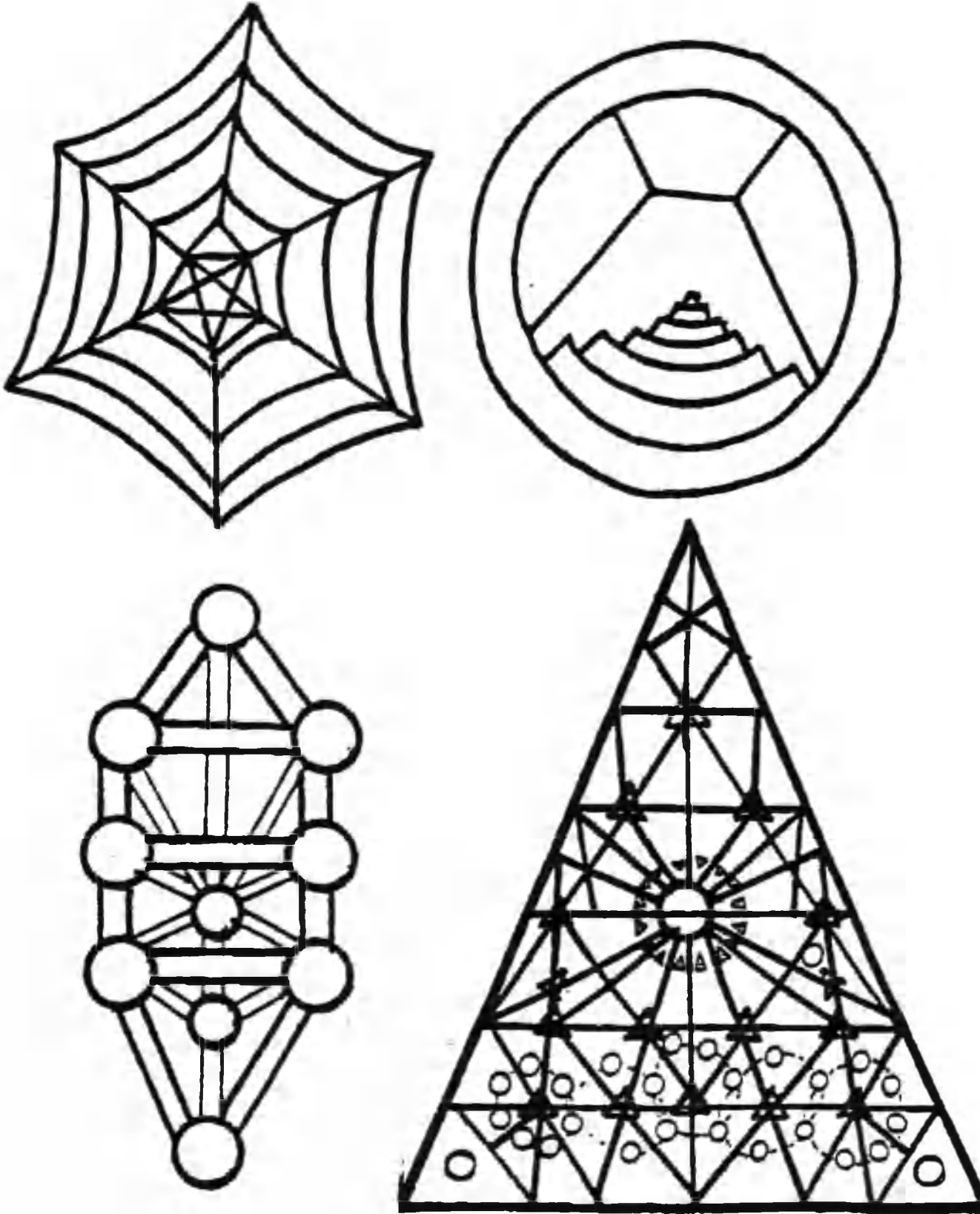


5.



6.

Above are some examples of the visuals in Monarch Programming. These could trigger a variety of survivors both Project Monarch and others.



Survivor's drawings of four different types of diagrams used in programming. The one at lower left is the Cabbala Tree, sometimes called the Green Tree, the use of which one of the doctor's describes in Chapter 40.



## THANKS FOR THE MEMORIES

I met Lois first in Palm Springs, when I was the editor of *Palm Springs Life*. She was sitting, looking pretty, at one of the many events that bear Bob Hope's name, the Bob Hope Classic golf tournament or the Hope Center which houses the Palm Desert opera. Her real name was not Lois and I was not introduced to her, but when I saw her again, several years later, she had come along with a Project Monarch survivor just to watch the interview I was doing with their deprogrammer. I knew I'd seen her before, but at first, couldn't remember where or when.

When I saw her that first time, I knew nothing about her. She was just another of the many "hostess" types that you find working the parties in the Coachella Valley. I did not know she was a (so-called) Monarch survivor. I didn't even know there was such a thing as Project Monarch which took DID'd children and made "patriotic" sex slaves out of them. Now I was looking at her again, in an entirely different context than the one in which I'd met her. A friend who is a psychiatric registered nurse had come along to support me in the interview and she spent a good deal of the time talking with Lois while I interviewed the deprogrammer. It wasn't long before we learned that Lois was a case very similar to O's. When I learned that I asked her if she'd grant me an interview. She gave me a novel she had written which was a fictional account of her story.

Her deprogrammer said the novel was still "full of her programming" and that Lois was not yet reintegrated/fused and therefore still had fiction mixed up with fact in her mind. He suggested that we both wait for an interview until fusion was complete -- after her functional personalities were working together, and after she had better recall of specific events which were now occluded by amnesia from what amounts to classical, trauma-based, conditioning.

After several months I was contacted by Lois. She gave me an entirely new book, "the truer story" she had remembered and written down over the past several months of fusion/therapy. It was a readable account which I've excerpted and edited for presentation here.

Today Lois is 43 years old and recovering from her dissociative disorder. She began to remember small, inconsequential things at first when she was thirty-five. By 1988, six years before she finished her book, she thought she was simply a survivor of ritual abuse. Then, as she began to heal and remember more of her past, she realized that ritual abuse was "merely a mind control trauma base" her paedophile father, among others, had used to condition her for future participation in what she says is "the still active Central Intelligence Agency's white slavery operation, Project Monarch."

"...From my earliest recollections, my father began the rigorous training and torture required to splinter my base personality with the intention of creating many separate and individual personalities for training and use by others as I grew older..."

She was physically, psychologically and sexually abused continually, by her father, his friends, and at Baptist Sunday school at which the Minister and Church Secretary oversaw a planned program of torture and ritual abuse.

"In addition to Christianity," Lois said the church secretary "also practiced witchcraft in her darkened home, isolated and protected from outside intrusion by drape-covered windows. As a toddler, my father would get me up early on Saturday or Sunday mornings and take me and a carrot down the street to 'feed the horsies.' We always did feed the horses but the actual purpose of these outings was to get me out of the house to go see Mrs. M. for what they called 'my training'..."

Lois was raised in the affluent area of the San Fernando Valley in Southern California. She was abused her entire childhood in many locations in and out of California, including U.S. military bases, where she was subjected to 'high level' use, abuse and programming. The results of many years of trauma intentionally inflicted on her by her father and others, created within her many separate personalities that were amnesic of each other.

"Over time, I became a totally programmed robotic slave that could not, due to electronic programming and abuse, think to tell anyone what happened to me. I was used frequently in child pornography and child prostitution."

By the age of 16, Lois had many separate personalities, several specially trained to be the perfect sex slave. One was a "presidential model" with a photographic memory used to deliver cryptic messages, most often during sexual encounters with top government officials, entertainers, and other world leaders.

From 1988 to 1991, she was in daily therapy in California. She began remembering a complex past that now has been validated, in part, through intelligence community and FBI contacts (active and retired), as well as through investigative journalists and knowledgeable mental health professionals. In her

quest for understanding and self-knowledge, Lois also attended graduate school to obtain her Master's Degree in Psychology. In April of 1991, she was forced to leave her home and family in California, due to a threat on her life.

"I fled to Hawaii and began writing a book about my experiences. I began having vivid, detailed memories of being used as a sex slave and/or human computer to some of our nations highest level government officials in and out of the White House – Lyndon Johnson, Richard Nixon, Ronald Reagan, Gerald Ford, Henry Kissinger, George Bush and many others... including "top entertainment professionals..." Prominent among them was her "owner", Bob Hope.

"My abusers made sure that I was instilled with very complex programming that would insure my death should I begin to remember or tell."

But, despite the programs for her to have an accident, or self-mutilate or kill herself should she begin to remember, today she is healthy, in control of her own mind and has no intentions of hurting herself in any manner.

"I am taking extreme precautions," she says. "That's why I'm publicizing this message. I expect it to encumber these criminals who would stop me from recovering further memories and obtaining expert help."

"In conjunction with the traumas at church and school, my father reinforced my programming by the use of fairy tales. His favorites were from Disney themes and *The Wizard of Oz*. Sometimes in the middle of the night, my father would traumatize me in order to get me to dissociate, which created the perfect trance state for mind programming. In this state, he would tell me that 'over the rainbow' was a 'bridge to the other world' and that I would walk over the 'rainbow bridge' into the 'other world' and it would remain separate from my everyday world. He told me what happened over the rainbow would feel unreal, like a dream."

Lois was conditioned to forget her most recent covert encounters when she heard the word "home." The trigger phrase began with a phrase from the *Wizard of Oz*: "there's no place like home" and was associated with being back in bed, sleeping, after a night of being used in child pornography, or as a child prostitute and later after being prostituted to mobsters, celebrities, politicians or anyone else her owner directed her to accommodate.

"These words functioned as a way to reorient me back into my everyday world, without carrying the reality of what had happened back with me. I was instructed to 'sleep and wake up at home in bed with the Land of Oz so very far away. That place that felt like a fairy tale – that I must have made up... was only a dream – was now very far away.' I was now on the other side of the rainbow and I was conditioned to forget that those experiences ever happened. If I remembered them at all, I remembered them as merely a dream.

"Later, in my teen years, all it took was for my mother or father to say, 'You can sleep all the way home,' and I was conditioned, like Pavlov's dog, to respond to the word home, with total and complete amnesia of what had happened to me that evening."

Lois now remembers that she was taken to military bases around the country for more sophisticated programming. She was hooked up to high tech electronics that performed a variety of functions, interfacing mind and body responses.

"I was put in isolation chambers and left in isolation, sometimes spun, with colored lights, always with only one color at a time. I was placed in sophisticated chairs with electrodes attached to my head and shocked. Sophisticated audio equipment was used. I don't know what exactly they were accomplishing, but I felt tortured by it," Lois said.

By the age of five Lois was conditioned through torture and by the use of hypnotic techniques to hurt herself in many ways should she ever begin to remember her secret activities.

"Per programmed suggestion," she said, "if I began to remember anything, I would stub my toe or burn myself on the stove, thus removing my focus from the remembered secret experience and diverting my attention to my wound.

"I was instructed in successful ways to cut my wrist in order to take my own life, should I begin to remember or tell. There were also accident programs instilled to insure my death if I remembered. Many programs were installed early in my life that were available for use in suppressing the activities of my hidden personalities for years..."

Over years of torture Lois remembered hearing her programmer say: "If you remember, you will kill yourself. If you tell, people will think you're crazy and lock you up in a mental institution. If you don't obey us, we will kill your family and your dog and cat. If you tell, we will kill you."

Lois had witnessed killings for years therefore she believed they were not kidding.

"I was used in child pornography and child prostitution from the time I was two years old, maybe even before. My father, who was a welder, sold me as a prostitute to neighbors and business contacts... My father had a group of paedophile friends, with daughters my own age. They traded us sexually and each independently participated in filming us pornographically, sometimes including bestiality. I had many personalities trained in both porn and prostitution.

"At age seven I was further trained by older women prostitutes. I was taught 'tricks of the trade,' most of which I already knew from years of sexual abuse and training. The prostitution and pornography was a organized activity.

"There were times when I was a child that I was used to entice and kidnap other children off the street into a black car. The kidnapped children were initially kept in cages in back rooms and then used in pornography and usually killed, sometimes in snuff films. We were all shocked with cattle prods or stun guns for different offenses. I was locked in a room and sold as a prostitute to lots of men. The people in charge always left ropes, whips, and sex toys for use by the people who were paying for sex with me. Pornography was filmed with other children, women, men, and animals. They filmed me in many different secluded locations around Turlock Lake, California, the Colorado River and places my family and family friends went for 'water-skiing vacations.'"

Lois tells of being filmed by friends of her fathers. One man filmed her and his own daughter having sex. Another forced his daughter of the same age to have sex with Lois and animals while they filmed it.

"To all outward appearances, all of these families appeared like normal upstanding citizens of the community. No one would have ever suspected that in secret, all of this abuse was occurring. The mothers kept clean children and clean houses, smiled and acted polite and caring in public, and the fathers acted charming and were considered responsible businessmen in the community. What went on behind closed doors – that no one wanted to believe or hear about, not even my elementary school principal – was the physical, psychological and emotional devastation of many, many children..."

"By age ten-and-a-half, I had gone through puberty and was fully developed. This was much sooner than any of the other girls in my class at school. Despite the abuse, I was a pretty good student, with many "school" personalities who helped me act like a 'normal kid..."

Lois displayed behavior problems in school, often acting out what was secretly going on at home, but her teachers merely passed off her joking and constant disruption as typical mischievous behavior.

"I had personalities who were totally amnesic of any of my abuse and able to function perfectly normal in the school setting. I did the things that normal kids do; I was a cheerleader, performed in the chorus, sang solos in junior high, and won awards for the most beautiful smile and for being the class clown. I was Girl's League President and a member of the Student Council, and I received a number of awards of merit. And my mother had the cleanest house in the neighborhood.

"I started menstruating. This heralded abuse in rituals involving getting raped and impregnated, sometimes twice a year. When the fetuses were two to three months old, they were aborted at rituals and ingested to fulfill the beliefs of the group that it made those participating more powerful. These were devastating, deeply traumatizing and painful experiences that were repressed along with the other

traumas. They served as mind control reinforcement, to insure amnesia of my use in pornography and prostitution..."

Lois was taken to her grandfather's house in another state. Her grandfather, a local politician, like her father, was a paedophile and a member of the same organization which practiced ritual abuse. Lois was impregnated several months before they arrived at her grandfather's house, where the first of several forced abortions were performed, Lois said, in a "torturous fashion by a local doctor."

"Although I was raped and made pregnant at a ritual, I was humiliated and shamed for becoming pregnant – everything was a double bind. I was blamed and shamed for everything that happened, none of which I ever had any control over. My baby, which was not yet old enough to be born alive, was nevertheless, a perfectly formed fetus. My grandfather and my father had a ceremony behind my grandparent's house in which they convinced me that I had killed my own baby (which was obviously born dead), and they ate it and forced me to participate.

"During the rest of the time we were there, I was forced to entertain my grandfather's business and political friends. I danced naked on the table at meetings and performed sexual favors for many of his associates. To demonstrate my programmed abilities, my father prompted the men to use a cigarette to burn me in my vagina as I kneeled down in front of them. My father wanted to demonstrate that I would smile and show no signs of the burns due to (reinforced dissociation) mind control..."

Lois attended junior high school and in the 8th grade (age 14) she met a young man, Clarke, about whom her mother said, "He's the boy you will marry."

About that time, President Kennedy was killed. Lois' programmers used the gruesome murder to reinforce her belief in their power over her. They told her, "We are so powerful we can kill the President without anyone knowing, so don't think anyone will ever find out about you."

"Over the next several years Clarke and I were 'bonded' to each other through cross-programming and shared trauma to insure that Clarke was under sufficient mind control to serve as my 'handler.' A ritual at a Presbyterian church I attended regularly, served to seal our bond, and soon other, more sophisticated means of programming were utilized.

"Large vans with men in suits picked us up at a location in Ventura, California. They had specialized equipment in briefcases and other large equipment in the van. They routinely beat Clarke in front of me to show me what a weakling he really was and how powerful and in control of me they were. They would slap me around in front of him to show him how powerless he was to help me, and how much in control they were.

"Electroshock was used on both of us, first by inserting and activating an electric prod in my vagina and then delivering the same to Clarke on his penis. We each had to watch robotically as the other was tortured.

"The bond that was formed by shared trauma was powerful. It created feelings of being in this whole mess together and enforced the feelings that we would never be able to get out. After they had sufficiently worn us down, they would strap us into sophisticated chairs and hook us up to the electrodes. Tones were combined with the electroshock in order to create access cues that gave them quick and easy access to us both later on. Hypnotic suggestions and love songs were presented to us, in order to facilitate our 'falling madly in love...'

"All these conditioning experiences served to 'prepare Clarke to deliver and hand me over to other men, then step aside while I serviced them sexually. It was always his job to make sure I was delivered to the right place, at the right time, to the right person. And for many years, that is exactly what he did.

"Bob Hope was one of the first 'high powered' men Clarke delivered me to. For my 16th birthday present (1967), Clarke surprised me with a trip, by train, to the San Diego Zoo for the day. We boarded the train, and after a while Clarke delivered me to a private car where Bob Hope, U.S. Senator Alan Cranston, and a couple of other men were waiting. Clarke left me with them and robotically went back to his seat. I had sex with each of them as the others watched. They were all 'old men', even in those days..."

Lois' paedophile father went to UCLA Neuropsychiatric Institute in Westwood, when she was 16 years-of-age, for what everyone said was 'brain surgery.' When he returned home he kneeled on the floor next to his daughter's bed and wept. Lois describes her father saying, "Honey, big things are happening. I've lost control over you." Lois says she didn't know how to react, since her father never cried before. "I couldn't think to question him," Lois said, "or to wonder just what it was he was trying to tell me. So I let it go along with hundreds of other thoughts and questions that any normal, unprogrammed daughter would have thought to ask."

If Lois' recollections are correct, her father sold her to the famous British born comedian, Bob Hope, who promptly began setting his new prize up with the likes of Ronald Reagan. The story she tells about Hope makes you wonder about his connections with British Intelligence in addition to the CIA.

Lois says she met Reagan for the first time at "the small theater that is part of the Motion Picture Country Hospital (MPCH) located in Calabasas, California. The hospital is owned and operated by the Screen Actors Guild.

"I was instructed to watch many movies that were for 'programming purposes' to instill certain preferred attitudes within me. To name a few: *My Fair Lady*, *The*

*Unsinkable Molly Brown* and the *Wizard of Oz*. I was programmed to go to the MPCH to watch some of the movies taht played in the small theater on the hospital grounds. At other times, seeing a movie was just a cover for privately meeting with Ronald Reagan.

"...I was told beforehand that I would have 'an important guest' and that I was to 'make a good impression on him, to give him the full treatment.'

"When Reagan and I were alone in the theater... the 'full treatment' consisted of me singing and dancing on the small stage for him and ending with a striptease. After my seductive act, I walked out to where he was sitting alone and climbed, naked, into his lap to recite my program. Following my programmed instructions, I told him that I could satisfy every desire he could imagine, that I came complete with instructions and was referred by his friend Bob Hope.

"He seemed embarrassed (a reaction that would follow him over the years in relation to me) and a bit overwhelmed, but his response to me was, 'I'm sold... tell Bob I'm sold.'

"Having carefully recorded his exact response within my photographic memory as instructed, I slipped out of his lap, collected my clothes from the stage floor and got dressed.

"I had several personalities that were specially created to please Reagan sexually. One was created for total devotion to him over the years.

"I was used extensively on and around 1968 by then Governor Reagan and soon after with United States President, Richard Milhouse Nixon. These top politicians were guaranteed by the Central Intelligence agency that my training in Project Monarch... insured the highest level of security. The level of mind control I possessed guaranteed that I could be used with these leaders who were involved at the highest levels of 'national security', without my own awareness.

"I overheard conversations where the President of the United States and other top politicians were offered the services of 'escorts', the CIA's latest technology -- top secret Project Monarch trained sex slaves. They were encouraged to use them to satisfy their sexual and emotional needs, instead of exposing themselves to outside individuals, because these 'escorts' were guaranteed safe, had passed many tests to insure their security, and were able to provide guaranteed secrecy.

"The presidents and others were highly discouraged from seeking other avenues of sexual indiscretions for fear of public exposure. This fear of political incorrectness, of seeking outside sexual gratification (instilled in these top officials by the CIA), fear of adverse publicity, and other security risks created a heavy demand for the use of this latest human technology."



According to Lois and other survivors, Project Monarch "Beta-trained" sex slaves were called "million dollar babies" referring to the large amount of money each slave would bring in from a very early age.

Lois said, "My father had done his homework, insuring that I had been MPD'd certifiably under complete mind control before I was ready for use by certain individuals in top political and entertainment positions. I was sixteen years old..

"But what many of the CIA may or may not have been aware of was that a powerful group of men, whom I will call The Council, secretly ran the government. The Council was also able to access me and had programmed me to subversively influence top government officials in ways that benefited them. The CIA's latest technology was being used against our own government..

"Our family doctor, had me taking a continuous supply of the antibiotic Tetracycline... to insure I did not infect the government leaders with any social diseases. He also prescribed mood elevators and mild tranquilizers for me during times when I was extremely depressed. These helped to keep me 'happy.' During the times I was being used by others, they accessed personalities that were cheerful and energetic, so my moods were never a problem.

"I was programmed," Lois said, "to stay thin, tan and silly – a typical dumb blonde..."

"Clarke and I had been going steady since we were fourteen, and, except for a brief one-year break-up in high school, I did not date any other boys. I was unaware that secretly laced into my life was a whole array of discreetly hidden sexual rendezvous with men in influential positions...

"I was filmed pornographically in many locations, including Woodland Hills, Malibu, Hidden Hills, Bel Aire, and other places in the San Fernando Valley. At this stage of my life, the level of pornographic filming was more professional. There were themes, costumes, music, professional make-up, and lighting. Personalities inside of me were taught how to work with the lighting to catch the best poses, and how to move my body so the film crew could get the best shots. Upon completion of the filming, I would go home to my mother and father in Woodland Hills and later might even go out on a date with Clarke, believing that I was an innocent, loyal and loving girlfriend. Due to the mind control I was under, I had no way of knowing that I was leading anything other than a normal life, as a normal teenager, in a normal family in Woodland Hills.

"The extensive contact I had with Bob Hope as a teenager and in my early twenties showed me that Bob was much more than an entertainer. Entertainment was actually just a clever hobby of his. I witnessed his participation as a strategically placed, influential, and integrated part of an underworld group that secretly sought to control the world. He maintained direct ties to the White

House. Through my affiliation with Bob Hope, I was to meet and interact with many powerful businessmen, politicians and celebrities...

"I was often flown into a small airport in Palm Springs to be with Bob and his cronies. I was picked up by a silver limo and taken to his house. The men in suits would meet me and take me to Bob wherever he was – at home, on the golf course, or in town. They would provide me with clothes, shoes, and jewelry in which to dress.

"One day, I accompanied Bob to the golf course in the (Palm?) Springs. He was dressed casually, in light blue slacks, pastel yellow shirt, white belt and white canvas shoes. There were several other men golfing with him. I was there just to be with Bob. I was 17, thin, tan, blonde and dressed in a tiny white dress, like a tennis outfit with spaghetti straps. I had on white sandals that came up from my toe and met at a strap around my ankle. I wore a gold heart anklet (slave bracelet) on my left ankle. I was not invited to play the golf game, but was instructed to watch and SMILE.

"Bob enjoyed having people around. He would have parties attended by lots of famous people. Usually they were held at his home in Palm Springs. Sometimes I was given as a gift to one or more of his friends for the night, but was programmed to return to his room to sleep. Dolores Hope was usually not around.

"But when she was, it was strange to see Dolores at the parties, knowing that I was having sex with Bob and had accompanied him to different places with his friends and business associates. Dolores never appeared to know exactly WHAT he did!

"Although my programming kept these activities hidden from my conscious mind, I would wake up late in the mornings in my own bed in Woodland Hills, with red eyes, feeling totally exhausted after what I thought was a full night's sleep. I was not able to understand that the exhaustion was actually caused by food, water, and sleep deprivation, coupled with electroshock tortures," Lois said.

"Dolores was already well-along in years when Bob was fooling around with me. She seemed not to like it when I was around and unfortunately, Bob did not offer much of an excuse for my presence, like Reagan did. He could not say I was his secretary or aide, but he did tell her he was needing to spend lots of time with me to 'groom me' for some of the USO Shows for the troops.

"I can remember hearing Dolores' voice, nagging at him one morning after a party while I was still there. He lied and told her I was there with some other man at the party. Not that I did not have sex frequently with many of this friends and business associates, but this time I had not...

"Bob referred to me in the earlier days (my teenage years) as his 'little bunny.' Through his USO involvement, he was friends with Hugh Hefner and he came to the parties sometimes. Mr. Hefner always brought at least two women with him – usually blondes. He never victimized me and I believe he and perhaps others that met me may not have known I was a mind-controlled slave.

"Starlite was a name Bob gave me. Starlite was one of my alter personalities. She was to become his 'starlet'. He told Starlite, and other people when I was 'on his arm', that he was giving me a 'leg up' in the industry. At other times, he introduced me to people as his 'favorite niece.' My instructions were that Starlite always wore her hair parted on the side with it combed down over one eye to look sexy. She was to be very sexy. When Bob took me to parties he would tell everyone he was showing me the ropes, and that I had endless talent and great potential in the industry...

"Bob took me to several of Hugh Hefner's penthouse parties in Los Angeles. There were windows all around and at night you could see all the twinkling lights of the city. Bob told me that when I was 'on his arm' for the evening that he was mine, but at other times he was someone else's. Sometimes Bob prostituted me to Sammy Davis Jr., Dean Martin, and others, while Frank Sinatra served as a handler.

"Hefner had bazaar, exotic entertainment at his parties. Naked women who were painted like zebras, appeared to walk through the livingroom fireplace without being burned. Or he would have wild (tamed) animals, like a lion that was 'whipped into shape' by a Playboy Bunny. One time he even had a man dressed like Tarzan whipping a girl dressed like Jane. Everyone said the girl was not really being hurt, that it was just an illusion. I don't know if that was true. It was like that a lot – a magic sex show..".

Bob Hope took Lois to Hefner's because he wanted her to be "Bunny trained." He asked her to pay close attention to the way the Playboy Bunnies moved so that she could move that way when she "entertained the troops," or Bob and his friends privately.

Lois had been programmed much as David, O, Candy Jones and the others – to carry secret messages locked behind posthypnotic blocks. She said "the Council" often programmed her to deliver a message to some entertainer, celebrity, or politician at a party they knew she was going to attend. "I don't think Bob even knew some of the messages I was delivering," she said. "I would be told to hold the message until I had zeroed 'in' on the targeted person. Then, when I had made eye contact and had their full attention, I was to carefully 'drop the message,' while maintaining eye contact.

"I was usually very quiet, and when I would deliver these messages, Bob was not aware I was going to speak. He would be caught off guard and would make a joke about loving to be with me because he never knew what would come out of my mouth from one minute to the next.

"He told people that I had natural wit, but I was really programmed by others to deliver cryptic messages, cleverly made for certain select individuals," Lois said.

"It was during these early years that I began being heavily accessed and programmed by The Council, for use with many influential men and women in positions of power. In addition to my use with Bob Hope, and Ronald Reagan, who was then Governor of California, I began being used with President Richard Nixon as a sex slave, and Henry Kissinger utilized my "computerized mind files." (I never had sex with Henry Kissinger or George Bush). My use within government circles was seen as security proof. They felt my programming kept the information I carried from my own awareness and from access by others who did not know the keys to my system. But what those in government did not seem to know was that The Council also had the ability to access me and that they were secretly slipping in their own psychologically tested and carefully researched messages for me to deliver to presidents, governors, senators, foreign leaders, entertainers, and many other people who were in positions of power or public influence.

"The Council studied people's psychological profiles and knew exactly what their likes and dislikes were, their sexual preferences, what perfumes they liked, and any other information that could be used to influence individuals in ways of which they were never even aware. The Council would pre-program me with instructions (all based on careful research of the targeted person) of what to wear, how to act, what type of sexual stance to take... specific words or phrases to say, and the best time to deliver them. The Council always worked up a complete strategy and never sent me to a person unprepared."

In these ways, Lois says, they influenced government leaders, to act in their own favor to pass or veto laws or bills that benefited their corporate holdings, to bring into office people who would be used as pawns, to influence judges and government agencies, and to control people in all walks of life.

"My experience was that The Council's membership was publicly nameless and unknown and their true power and ability to manipulate the masses came from the fact that they were publicly unknown. From my perspective, these individuals acting in the shadows, actually dictate the direction our government takes. They were connected to people like Bob Hope through a secret liaison with me, of which I was programmed not to even be aware. They felt they had their identities and security locked up tight.

"Parties were given in New York at the Rockefeller mansion around Christmas each year. My reliability had been tested for several years and at nineteen I seemed to "graduate" to a higher level of use. What could be higher than the President of the United States? In my experience The Council and certain international individuals like the Rockefeller's were a higher level, standing head and shoulders above the government and mere politicians.

Lois would be flown to New York by commercial airline and met at the airport. She would be taken to get her hair and nails done, then brought back and dressed to be used to 'entertain' top people from all over the world. At the parties, Lois was dressed formally in expensive evening gowns, and often provided a diamond brooch or huge diamond necklace to wear. The evening would usually end in a sexual encounter with the targeted individuals.

"Nelson Rockefeller was connected to Bob Hope and many presidents -- Nixon, Ford, Reagan, and Bush... otherwise known as The Republican Party... Yet is wasn't only the Republican Party -- Democrats were not exempt from involvement. There were both Democrats or Republicans involved with The Council..

At these "bi-partisan" parties Lois observed a small group of men who usually met in the back room after the party to discuss world strategies and business. It was not unusual to see some of the guests spend the night from among the select few who were invited to the party.

"I watched the men who literally ran the world. Men who decided when it was profitable and/or strategically important and politically correct to start a war. They even had it planned who would begin the fighting and where. It always added up to big money, power, and control...

"People in America think they elect their presidents but from what I witnessed, they do not. The process of putting someone into office is a controlled and corrupt one. The media is also so controlled that the American people do not get the full and accurate story. The presidents are selected long before they are voted into office. It is no accident that Ronald Reagan or Pete Wilson won by a large majority. It was all rigged through financial, business and political connections from this group, right down to business and political factions and then on down into the public," Lois said.

"They own the press. They own key television stations and famous anchormen. They have key members who own the newspaper companies. They buy magazine companies and own many corporations that allow them to have the leading edge on media exposure, thus allowing them to control the information people see on the news, read in the newspaper, or hear on the radio. They are funded by some of the richest men and corporations in the world who aid them in getting what they

want, when they want it, by whatever means it takes to do so. They operate above the law, above the Federal Government.

"I witnessed and recorded in my photographic memory many of these encounters as I was bounced around the globe in the company of varied but influential "people in the know." Lois' book chronicles all the details.

"In my late teens and early 20's, I was taken aboard U.S. Navy carriers when Bob was doing a show on his USO tours. I had several personalities who were specifically trained to sing and dance and several who were expertly trained to dance and strip. Usually Bob and I would be flown into a base and then helicoptered the rest of the way to the ship.

"On tour with Bob there were always large bands, with lots of music and lights set up on the stage. Red, white and blue banners decorated the stage where we performed. The shows were very festive, high energy performances. Sailors would be standing, packed together to watch the show.

"If the media was there, Bob totally controlled what they captured on camera, what segments could be filmed, and when they had to leave.

"What the 'boys' didn't know was that Bob knew how to engage their emotions with certain specific words and phrases and songs. He knew how to 'lighten them up,' get them really 'emotional' and worked up and then he would slip them suggestions, keyed to conditioning, that 'helped them with certain unwanted attitudes.'

"I overheard The Council making jokes about the 'herds' (the troops) and how stupid and easily led they were...

"After shows, I was usually taken to the Commanding Officer's quarters to further 'entertain' him in the privacy of his room. My perception was these officers had big egos and felt inflated about all their medals and ribbons. The Council often 'slipped' messages (embedded commands) to the officers, through me, possibly without the officers' knowledge.

"After the show, some man would put a stun gun to my body and I would totally collapse into his arms. He would carry me over and lay me down until it was time to leave. The sensation inside was white hot, then very cold. This was my reaction to the electroshock.

"The man delivering the electricity also delivered programming to me. Before and after he zapped me he said: 'You are fat and ugly and no man could ever be attracted to you.' I never would have believed I was attractive enough to perform on stage, had I begun to remember it. I was often in poor condition when I was helicoptered away...

"I felt like I was on every naval base in the United States at some time or another to accompany Bob on some of his USO tours or for my own programming. The programming at the bases was torturous. As a child in the late 50's, I was taken to a base where I was put in total isolation. Bright lights were put in my eyes and bands were put around my wrists, ankles, and forehead and I was given electroshock coupled with food and sleep deprivation and whatever other tortures programmers decided to use including being hung upside down for extended periods of time. As I got older, programmers on military bases repeatedly drugged me and inflicted varied physical, sexual, emotional, and/or psychological tortures that assaulted all of my senses. I was put into a large cylindrical chamber, where I was tied by the wrists and ankles to the sides and left in isolation. There were red, yellow or green lights flashing inside the chamber, but never two colors at once. Other times I was left alone in total darkness and stark silence for what felt like an eternity. Drugs, food and sleep deprivation always accompanied the programming and afterwards I felt extremely tired, achy, and nauseated but mistakenly assumed I just contracted the flu.

"With people Bob really wanted to own or use he would take pictures of a rape with hidden cameras. He knew just how to get these people. He would show the man a picture of the rape of a child and say, 'We sure don't want these pictures, or any others like these, to get into the wrong hands and ruin your career, do we?' Then he would simply tell the man what he wanted. It usually had to do with getting another 'friend' of his into a 'key' position in the government, looking the other way when a case came down, or getting a bill passed or vetoed. He knew just how to control these men and they usually complied..."

From 1988-1991 Lois was in therapy seven-days-a-week, during which time, she says, she "uncovered pages of programming from inside." Then, one day, she received a dollar bill in her wallet and on top of it was written: "April 12 - 2042." Lois knew these were programming numbers and since she had two serious accidents on April 12, 1985 and 1987 she was convinced April was to be her next programmed "accident date". At her next session with her deprogrammer, the doctor told Lois she didn't think she was safe and had better leave Los Angeles.

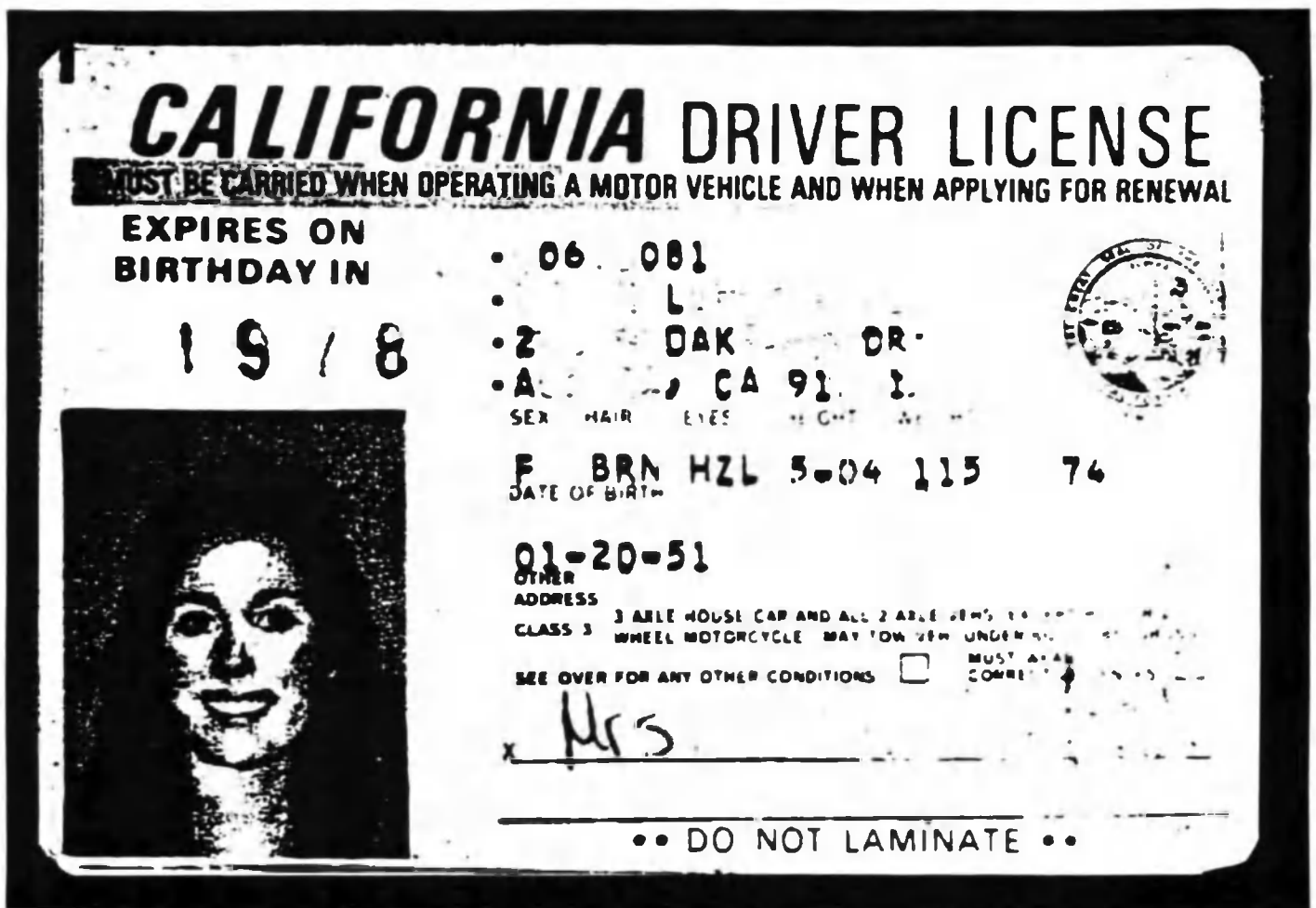
"A friend came and offered me a place to stay in Hawaii, and I flew to her home on April 13, 1991. She introduced me to a man who helped me deprogram myself. I taught him what I knew and he read some books on MPD and ritual abuse and applied it to the knowledge he already had. I ceased all contact with my husband, Clarke, staying on the island for five weeks, but, then I came home when my attorney told me I would lose custody of my children if I didn't.

"Later," she said, "I discovered that I had been at a 'containment center' for mind-controlled slaves." And Lois would eventually learn that her original lawyer worked as a 'containment asset'.

"I lost custody of my children anyway, and my financial support was very limited, due to being a 'high level' model. My children visited me summers and Christmas on Hawaii. But, even after I thought I was free," Lois said, "I was still being prostituted..."

While now, for the first time in her life, Lois says, she is free "thanks to some unusual therapy with a deprogrammer who had the expertise to really help me."

Sadly, Lois believes her children carry on the multigenerational custom, so commonly found with Project Monarch. She believes they are programmed, carrying out their robotic intelligence functions under the control of their father, and the watchful eyes of his 'Council'-appointed handlers.



Through innocent eyes Lois smiles at the camera. One of the many pieces of identification provided by this real life survivor of the so-called Project Monarch. I have eradicated the vital statistics on this driver license so that Lois cannot be identified. Obviously her real name is not Lois. Should anyone care to come forward with further corroboration of her story, contact the author.



## MONARCH CORROBORATION

A number of friends and fellow researchers couldn't bring themselves to believe the stories of "O" nor Lois. In the beginning, neither could I. Both dropped too many famous names. Both had witnessed too many important events in history. Both told hideous stories of abuse. How could our high government officials fall to such low perversions? Would they violate the human spirit just for lust? Greed?

After a little thought, once one has processed the horror, one realizes that in each case, celebrities and high government officials were controlled by their vices which were fed by the cryptocracy using one of Project Monarch's programmed "presidential models." In each case it was the survivor's remarkable "programmed" gifts, which were the invisible reins of control the cryptocracy held over Senators, Presidents, and Kings. In fact, it looks as if our executive branch of government is now controlled by new innovations in the usual Machiavellian options: bribery, blackmail, threat of death, and/or ultimately assassination.

Then, again come the doubts. Here we are taking the word of a "reintegrated" person who's suffered a lifetime of Multiple Personality Disorder (MPD) which is a relatively new idea in itself. One doesn't *want* to believe this.

Sure, we'd all seen the films *Three Faces of Eve* and *Sibyl*, but MPD is new to psychoscience. (And to confuse things more it was renamed DID for Dissociative Identity Disorder in 1994.) In 1980 there were only 200 plus cases of MPD reported to the American Psychiatric Association (APA). In 1990, however, there were 24,000 cases. That doesn't mean they weren't there all the time, it only means that the "mental health industry" has just caught on to how to diagnose it. Based on the testimony we've heard trauma-based programming has existed for hundreds of years, which means there have been programmed people among us with multiple personalities for hundreds of years.

While psychiatrists are still struggling with effective treatments, radical new techniques are emerging such as those adapted from NeuroLinguistics Programming and Ericksonian hypnosis. These and similar techniques can effect quick and complete "reintegration" or "fusion" for people suffering from MPD. As the treatments become more effective, more MPD sufferers are remembering their

"core" selves and some are discovering that those "core" selves are stamped "made by the U.S. Government."

A woman whose story is remarkably similar to O's is Victoria Vulpes (another nom de plume.) With the help of therapists in Florida, Texas and Minnesota, Vulpes recovered a harrowing assortment of memories, the first of which was of incest with her father, which came out of a dream she had in 1989. Next she remembered being abused by other relatives, dangled upside down over a cliff, taken to Satanic rituals where a baby was killed and eaten, and subjected to mind-control experiments by the military and CIA.

The owner of an elegant clothing shop, Vulpes sued her uncle (her father was dead) based on the memories she recovered of incest she said occurred 34 years ago. The uncle vigorously denied the charges, and the case was put on hold until the Florida Supreme Court decided that the statute of limitations had expired on this delayed-memory case, thus sidestepping a decision.

In an interview with a local paper, Vulpes would not discuss the lawsuit or her uncle, but she spoke to a reporter for three hours about the other memories she'd recovered. She said she wanted the government to admit its wrongdoing, and release the results of the "Monarch mind-control Project" and compensate its victims. Vulpes said she wasn't interested in naming names or getting anyone in trouble. "I'm looking for a negotiated peace settlement with the government." She said she only wanted to know "the keys to my programming so that I may complete my therapy and healing process."

According to the paper, a CIA spokesman said he wasn't familiar with the mind-control experiment Vulpes described. "It's existence isn't likely," he said. "I wouldn't deny her her memory of her experience, but I would be very surprised to see the CIA involved in any way."

The article said Vulpes points to the fact that she has found three other women who have recovered similar memories. All three women are members of a support group run by a therapist who was a past president of a prominent society for the Study of Multiple Personality and Dissociative Disorders. The therapist, the paper said, "has diagnosed about 30 cases of multiple personality disorder, (and) does not question the accuracy of the satanic-abuse and military mind-control memories.

"I don't think these folks are making it up," the therapist said. "They're too together."

Vulpes was separated from her husband and is the mother of two grown children. She built a thriving business and developed a busy social life, the article said. "She has too much going on to be inventing this kind of fantasy," the therapist said. "Besides, people worldwide describe the same things. It couldn't be a coincidence."

"It's not a coincidence," said FBI agent Kenneth Lanning, who studied allegations of ritual child abuse by satanic cults and others. He said in a phone interview to the paper that the Monarch Project was "just kind of a myth or legend that's being spread by a small number of people at a variety of therapy conferences."

"Absurd urban legends about the corporate logos of Procter and Gamble and Liz Claiborne being satanic symbols persist in spite of all efforts to refute them with reality," Lanning told the paper. "Just because individuals who never met each other tell the same story doesn't mean its true."

Another person who questions the accuracy of the memories was the attorney who represented Vulpes's 70-year-old uncle.

"It's extremely unlikely for this woman to have suppressed the extraordinary events she alleges occurred to her in her childhood and adolescence," the paper quoted the attorney saying. "This is not just Daddy sneaking into the bedroom. This is torture. Murder."

According to the paper the attorney blames therapists for creating, or at least perpetuating "mass hysteria" through the current fad for repressed-memory therapy.

Vulpes said her father was a Cuban-American who went into the U.S. military and was stationed in Panama, Germany and several U.S. bases, including MacDill in Tampa. She was one of seven children.

In 1959, the paper said, Vulpes's father left the military and returned to Cuba for about a year. Then he was asked by the Cuban government to leave. Vulpes regards this as evidence that he was a CIA agent. During that year in Cuba, her alleged abuse at the hands of her uncle occurred, according to her lawsuit. The accusations included rape, sodomy and unusual sexual practices.

Memories of the abuse by her uncle, as well as others, remained beyond her conscious mind until after her father's death in 1989, Vulpes said. At an intensive four-day session of therapy in Minnesota, she got the idea she might have some kind of sexual-abuse problem but she had no memory of any. Then she had a dream in which her father was chasing her and laughing saying, "You can't get away from me." She said that when she awoke, she knew what the dream meant. It shocked her, she said, "Because this was certainly not the image I had of my father nor that anyone else had of my father."

Other memories came later through work Vulpes did with a number of therapists and on her own working with pen and paper, letting her subconscious take over and instruct her what to write.

Vulpes remembered her father taking her to a satanic ritual in Panama where "Indians killed a small baby and ate it." Her father took her to the ceremony purposely to traumatize her on instructions from his bosses in the CIA," Vulpes

said. She said she "split" several times that night, depositing the painful memory with several alter personalities.

"I don't know how many parts of me there are," Vulpes said

Memories of military mind control emerged during treatment at Charter Hospital in Dallas, where she was sent by Dr. Colin Ross, well-known expert in the field of multiple personality disorder. There she was given paper and told to draw. Her memories of programming sessions by her 'controls' grew out of that time, the article said. She was only one of many children who were traumatized and programmed into total obedience, she said.

"I believe these were experiments to see how much you could control human beings," Vulpes said.

Dr. Ross confirmed that Vulpes told him she was a military-programmed multiple personality, the article said. "His take on it? 'It's a very complicated matter, difficult to figure out how much is real and how much is not real. It warrants serious study.'"

Vulpes told the paper "The Monarch Project experiments are still going on." But she declined to discuss current activities because her 'controls' might harm her. She offered a manuscript from a group called "Ritual CIA (Cult, Incest or Abuse) Exposed" in Santa Rosa, Calif. that describes the project pretty much the way she did.

The paper reported that FBI agent Lanning said it's important to note that people who describe memories of Satanic abuse and military mind control often really believe they took place and aren't knowingly lying. "It's possible that something abused them -- not a Satanic cult, not the CIA, but something -- did happen to Vulpes while she was growing up."

"The trouble, though," Lanning told the paper, "is that once she starts talking about her wilder 'memories', she loses credibility in the courtroom."

"That isn't lost on (the attorney)," the article reported. "I don't know which of her personalities is suing," he said. "Due process requires that the real abusee stand up... I'm looking forward to the cross-examination."

Are you laughing? Mark Phillips isn't. Phillips has been dealing with the victims of Project Monarch for quite a while.

"Serial killings are on the increase 200 fold," Phillips said. "When caught, some of the killers blamed Satan for their exploits and crimes, others could not legitimately remember. I watched the FBI stand firm on their "no such thing" philosophy..." Remind you of what the detective said on the Oprah Winfrey show?

When I managed to get Vulpes on the phone, she talked freely:

"AIDS was known about in 1968, or earlier," she said. "I know three different (Monarch survivors) people. We all got vaccinations -- inoculations against auto immune deficiency. We got it in 1968. AIDS didn't come out until the 1970's. I said then, I'm never going to talk about this. People would say that I'm crazy. So I never talked about it. Then when I did, in the group, three other people said, 'Oh yeah, we were inoculated too.' (A 1953 Artichoke document references the CIA's interest in a synthetic virus.)

"You know how many people died because of aids. I won't sign an affidavit to that affect. They'd kill me. But didn't you ever wonder why the politicians in D.C. don't get AIDS? They had the cure for aids before they let it get out. Now they're going to release the cure because they hadn't anticipated that it was going to cost this much money. They've developed a whole line of racially specific viruses -- they've got things so bad you can't imagine."

We talked about psychic phenomenon as it is seen in patients diagnosed as having Dissociated Identity Disorder (MPD).

Vulpes told of her memories in the realm of the arcane: "I remember a room full of men around a conference table. I was maybe five. They put the chair in the middle of the conference table and had me demonstrate my psychic and intuitive powers. They had me knock the glasses off of some man's nose without moving."

"I will deny I ever said this. I remember being in Area 51. I think that's where it was. They had a room full of men around a conference table. They got a chair and they were having me demonstrate my psychic and intuitive powers.

"They had me pinpoint the person who was the least loyal. Everybody went berserk. I had to tell them what I was doing. I had to get under the table psychically and touch his private parts, so that he'd know he was going to be touched. He jumped when I touched him.

"Did they did a lot of psychic stuff. Yes. It was not unusual."

I asked Vulpes if she'd taken part in any remote viewing experiments?

"I don't remember that. I remember being told by somebody way up in the government -- very high that I was better than Jean Dixon -- an elected official who was not aware of the programming I'd had. I was told what to answer and not to answer. I was only a German girl. I was not allowed to be an American citizen. I performed all sorts of things, read his mind, found hidden objects in the room.

"It's one of the side affects of MPD," Vulpes said. "Then we were trained to use it. The one other female I have the most in common with has also had a lot of training.

"She told me she saw the results of genetic experiments -- a hybrid hermorphadite. Somebody told her that was impossible."

It has become clear that the cryptocracy developed aspects of the human mind of which the psychiatric community would not become aware for many years.

In his book *The Osiris Complex, Case-Studies in Multiple Personality Disorder*<sup>60</sup>, Dr. Ross writes: "Why should people who have been abused as children, and who have complex dissociative disorders, also be psychic? In one sense, it doesn't matter if the psychic experiences are real; real or not, this is an important unanswered question in psychology. There is something about the human mind we don't understand, an aspect of experience which has been banished from mainstream psychology and psychiatry... Psychic and extrasensory experiences are so characteristic of people with MPD that they statistically differentiate MPD from other diagnostic groups such as schizophrenia, panic disorder, eating disorders, and temporal-lobe epilepsy. I have met many people with experiences similar to Martha's ( the pseudonym of Ross's patient who describes paranormal phenomenon), and all of them have considered their experiences to be real.

"The ability to dissociate and the ability to have extrasensory experiences are closely linked -- I mean psychologically, not genetically, although they could also be linked genetically. I think that the ability to have frequent complex dissociative experiences can be latent in the absence of serious child abuse, and that it often gets activated when there is childhood trauma. Being psychic is not so closely related to having been abused as a child, but this range of human experience is also prone to activation by trauma...

"The relationship between paranormal experience, dissociation, and child abuse is something psychologists and psychiatrists should study. A whole dimension of human experiences is simply left out of modern academic psychology, although it is universally present in religion, folklore, mythology, and literature. Martha and others like her have taught me to think clinically about the paranormal in a way which is not skewed by the ideological biases of twentieth-century psychiatry..."

We know that the CIA funded J.B. Rhine's famous telepathy experiments at Duke University and other explorations of the paranormal. We also can present evidence that the CIA supports public debunking of the paranormal on a full time basis. Adding the reports of the Monarch victims and others to the fifty-year-long body of reports found in Ufology (activities of the Men In Black etc.), you might conclude that one of the cryptocracy's purposes is to disempower human potential through debunking anything that might be evidence of an evolutionary development of human psychic ability, on the one hand, while working in secret to develop that ability for its own dark purpose on the other.

Within the cryptocracy-controlled scientific community, Dr. Ross notes the pattern in a less sinister way: "One of the key strategies of the mechanistic-reductionist philosophy that dominates twentieth-century medicine is to define the reductionist model of medicine as *the medical model*. This is a clever, though

<sup>60</sup> Ross, Colin A., M.D., *The Osiris Complex: Case-Studies in Multiple Personality Disorder*, University of Toronto Press, Toronto, Ont. Canada, 1994

unconscious, strategy because it implies that all other models of medicine are-medical: reductionism has claimed a monopoly, in effect, over medicine, and has borrowed the prestige of science to cloak itself in an aura of power, sobriety, and rationality.

"Galileo was put under house arrest by the Catholic church for saying that the earth went around the sun. In the late twentieth century, the orthodox scientific establishment ostracizes anyone who considers the existence of demons (or extrasensory perception) to be a serious scientific problem, though it lacks the totalitarian control to implement house arrest. In both cases, what is going on is orthodox dogma suppressing free intellectual inquiry," Ross said. (The deliberate suppression of the belief (both in the scientific and general public) in the innate human psychic ability by the cryptocracy could be the subject of an entire book.)

For some reason, recently the so-called Monarch survivors are recovering their memories. Thousands of alter personalities are coming forth to tell on their handlers. Many are beginning to walk away from their handlers, to drop out of the mind control system. (We've heard professionals guesstimate that there could be millions of trauma-based individuals in the United States and probably an equal number or more in Europe.)

"One day, a few years ago I just started to walk, and I didn't know I was walking." Vulpes said. "I figured I was just leading the same life I'd always been leading, but doing real good therapy. But meanwhile in my memories these guys are screaming at me: "What are you doing?"

"It's a very crazy story. I ended up getting together with someone who told me he was an ex-CIA agent. When they're a CIA agent they want to be able to talk to someone. That's why they told me he was 'ex.' We know that you can't stop working for the CIA. There's no ex. It's like working for the Mafia, but that's what he told me.

"He ended up coming very close to me and giving me a little bit of grief. But it was interesting because I asked him, 'What did you do for the CIA?'

"He said, 'My job was to go after CIA agents who went bad.' It wasn't until a year later that I realized that was probably the reason he was hanging around me. They considered me an agent that went bad. And I'm saying, meanwhile, I don't even know what's going on around here. Now I'm getting the memories and now I know what they're talking about. But when I started to walk I didn't know I was walking.

"So, then there was a negotiating process. I think that more of us are involved with that than we are aware. You know we all have reporters inside, don't you? And who do you report to? You think you have people from 20 years ago to report to? No.

"And we all report on each other -- unless we've been deprogrammed. And personally I haven't met anyone who's been completely deprogrammed. I think we still report to people. "

I asked her if she thought they were still programming people this way and Vulpes said, "I don't think they do this anymore because it's not necessary. I hope we can be reintegrated.

"At some point the codes, cues and triggers have got to come out. I'm not going to be the one to do it. Let some of the other women do it. I want to live. But, somebody's going to say it. Somebody on their death bed. Somebody with a death wish..."

Vulpes had no sexual mutilations like O. Commenting on that she said: "It depends on how valuable your body was to them. It depends on where you were in the hierarchy. O was used mainly as a body and as a parrot, so this was acceptable. She may not have had the training a lot of us had,

"I remember that there were rules having to do with the handling of me and my body. There could not be any mutilation. I had to be clean -- immaculate. You could not create any dent, any wrinkle, any breaking of bones, any breaking of the skin, nothing that could damage the goods.

I asked if she'd experienced any bestiality like O had?

"That's Satanic stuff. Everybody goes into that. I don't have any specific memories of that but I wouldn't doubt it. I haven't done much of my satanic work, but I know, I remember when I was very young those being the rules, and I told my therapist before I knew what was going on, when I just thought it was only my father abusing me. I said, "these are the rules." I remember them.

I wondered if she had any tattoos or scars or unusually shaped or placed moles, since stungun shock points can bring the melanin to the surface and cause unusually shaped moles?

"I have a mole on my right cheek which I do not have in photographs of me as a child. I don't know when it came," She said.

"My service was all in the line of espionage. When I read *The Control of Candy Jones*, I almost collapsed. It was the same story as mine.

"People I've spoken to who've had training similar to mine -- we can hypnotize people. That was one of the things we were trained to do. And it's interesting, I've always known, before I knew I was MPD, if I got into a certain mode I could get anything I wanted from anybody, even if they had just said no to somebody previously.

"Mark Phillips talks about people who've had the military programming -- how they carry themselves erect. Well, that's the way I carry myself, and that's the way



I speak. I don't look that way. I'm feminine. I'm not bad looking, but I carry myself and handle myself in very much of a military fashion. Though I'm not a winsome personality at all. But somebody else can be told , "no" and I'll walk up, with no charm and get what I want, and not through intimidation, though I know how to intimidate also. That was also a part of my training.

"I must have done good with the language of the unconscious.

"We do all understand that if we talk about these things people won't believe it, so that's why we don't talk about these things. They also spend a good deal of time debunking ESP and things because they don't want people to believe in their own abilities. They don't want everybody to discover that they have strong psychic abilities which could ( through remote viewing?) make all their secrets public.

"This is not an integral part of the story -- the psychic phenomena part -- so, if that part of the story is told later on down the line, that's okay.

"They're using us as workers, workers, workers," she said.

"Didn't you volunteer," I asked facetiously.

"I was three years old," she said. "Hello?"

"I turned in my letter of resignation four years ago," she said. "They have yet to accept it."

Stating the obvious I said, " So all this happened to you without your consent."

"I never knew a thing. I never had any beliefs in my regular life.

I asked a burning question: "Are you telling your handler what you're telling me?"

"My control has my phone tapped. Everything I've told you they know," she said.

"I think they told me not to read your book. I have a mental block about reading your book ( a photocopy of the 1978 edition.). When I got it today I just dove into it. I didn't think about it, I got the book and I read it. I have not been able to make myself read it.

"I have a mental block. Normally, when I'm excited about something I rush right through it. But I'm having trouble getting through it. I haven't got past three chapters. I can feel a wall. I know there's something preventing me and it's not me.

"Basically I assume that everything I say gets back to them. I have an agreement with them -- whichever part of me still meets with them and deals with them -- I don't say names, I don't say dates. I'm a real team player. I will never sell anybody down the river. I tell people where I'm coming from. I don't want anybody to die. I just got a life, I don't want to die.

"They already agreed on this two years ago that they would not get prosecuted."

I couldn't believe my ears. "You're telling me the handlers have been given a deal -- a pardon of some kind? What are they trying to do, straighten you guys out and put you on your feet again?"

"I think they're trying to keep it from being a royal mess and ending up in the court system across the land and destroying the country," Vulpes said. "The settlement is not the issue. It's not what they did to us, it's what we did for them -- for the country. They cannot afford to have it land in court. They can't afford to have it land in a mode of anger in the press. I think -- I know they're ready to deal with us.

"They couldn't get any of us to lift our heads up. Everybody was too frightened. I know there's negotiating going on. I know the people who were in control and the people who could have gotten hurt have been told that they were -- from what I understand -- given a presidential pardon by George Bush before he left office. That's what I understand, but there's no proof. But, it doesn't make sense any other way.

"When they started this in the beginning, they never thought it'd come unraveled. They never thought they'd get caught. Never. They thought you could erase a person's mind forever. Now, they know we come unraveled, but they could still fix it.

"I was given electroshock as recently as six months ago. They have a little travel kit that looks like electric rollers. That's the size of the thing. You plug it in to a regular socket.

"Next time you see it, steal it, so we can figure out the amps and volts," I said, thinking that if one could spend time with one of those who were active, one might be able to stick in enough programming to gather a lot of information and begin to effectively empower these "Monarch" survivors to uncover the whole system. But, it'll probably wait for someone who was a former programmer to begin the deprogramming. Inevitably, I believe, this is what will happen. The robots will turn on their masters.

Vulpes continued talking about the shock equipment: "Whenever I'm near one of those things, I'm never in a good position to do anything. I'm not negotiating when that thing is around. I'm totally a victim when that thing's around. But I have two memories within the last year and one half, and I know it's something everybody's not that familiar with. When it was used on me the first time, the person that I had been dealing with, needed to bring someone else with that apparatus.

"There needs to be some knowledge behind it. Am I right?" she asked me, as if I was expert with shock techniques. Since this interview I've learned a lot more about the process, but we all still have a lot to learn.

"All of us have so much missing time, we don't know what missing time is. When I was first diagnosed they asked, "do you miss time." I said no. It wasn't until a year later that I knew what they were talking about. I never understood what a normal person's concept of time was. I never had a normal person's memory. I never missed any time, because I never had a continuous run.

Vulpes said some things about her background. She was part Cuban, part German she said. Himmler's Lebensborn project came to mind. "Was your dad your real father?" I asked.

"He was my genetic father. I have six siblings who are half brothers and sisters with the woman who raised me. I was the only one who was an illegitimate birth from a German woman," Vulpes said. "I was the only one who was not an American citizen. I got thrown out of Cuba on 24 hours notice. All of a sudden there was an emergency in 1960 and I had to leave the island at age 12. My Dad was Cuban but he was in the U.S. Air Force.

"The story was that he came to New York, got caught in Communist activities and got put on Ellis Island. And I always thought that's where he got recruited there. He ended up in Germany at the end of the Second World War in the Air Force which was his cover for being in the O.S.S. Then I was born and got put in that program. There is no doubt but that I was in a program.

"One of the girls in my group and I talked because she had to go to the dentist. So we talked and compared notes and discovered that we had been sent to the dentist almost every week as kids. I think that was the time they did a lot of the training. My kids today have perfect teeth. We have good genes for teeth.

"I don't think they put us under, I don't remember drugs. I think they traumatized us there. But all we agreed upon was we had too many trips to the dentist," Vulpes said.

Another survivor of the "Monarch" program told me about her vivid memories of having her baby teeth removed so that she could transform secret information in the little tooth cavities -- one at a time. Some tooth fairytale.

"My friend, this girl in my group I'm talking about, did not to her knowledge have military training or military service. She was programmed by her father in the basement. But because her programming is so similar to mine, I believe that her father was trained by the same people who trained the people who programmed me. Mine was done under military circumstances, even though my father had homework that was not done on the base, but these people's parents had nothing to do apparently with the military but they were getting the same kind of training," Vulpes said.

"One of the reasons we have not gone full steam ahead with my deprogramming is that I am still too tightly knit into this. If these guys want to talk to me, I think I want to talk to them. I don't want to make it so difficult so that I end up getting

run over. If I happen to get a little off track, I want to know. I hope they give me some warning," Vulpes said.

"I'm totally aware that they have ways of dealing with me without my ever knowing about it. You may know a lot, but I lived it. You're doing a good job, and if you didn't remain once-removed you wouldn't be doing such a good job.

"You have things in this edition of the book that you talk about, some of the Air Force programming of David that made me real uncomfortable when I read it. It triggered me.

"I have accepted the fact that they probably have a camera in every room I have ever been in -- inside my head, inside my car. I have something in my car that buzzes. It's not from the car. It goes on for a minute or so. It used to come from the back, now it comes from under the dash. They had my old car wired, I just can't believe they've wired my new car already.

"I wake up every night in the middle of the night. Do others tell you they wake up at 2:30 in the morning? Why do they do that...?"

"Yes. I've heard that. People say 2:30 - 3:00 in the morning. Maybe they're turning on the brain washing machine? I've heard people say that certain cities have signals that go on at night. People say there's an attempt to manipulate and program a large number of people. What content do the signals carry? I don't know. Work harder, longer, faster?" I said.

"I was told it was going to go down quietly. Everybody knew what they were going to do. I heard that Dan Rostenkowski was one of the mind controllers and they're getting him. (He since was defeated at the polls.) I've noticed a lot of others whose names have come up from survivors are being driven from office," Vulpes said. "I think there were a lot of people who weren't into agreement with this mind control thing. I think there are a lot of people inside the government who were, say, handlers, that didn't know how big this thing got. They didn't know how many others were doing it. Because of the compartmentalization, because of the need to know, the individuals didn't realize they were part of this insidious, all pervading system of mind rape..."

"I was a victim of the Cold War. I was victimized in the name of the Cold War. Now we know what a sham it was. There was no war. The Communists had nothing. What's their excuse now?"

"Do we have a Constitution in the United States or don't we?" I asked.

"We have a set of rules that we are supposed to follow and then we have a separate group of people who are doing damned well what they please. I never had a Bill of Rights. I was a U.S. resident who was not a citizen of the U.S. My father was military personnel. I had every right to be a U.S. citizen. I was not allowed to be a citizen. Five years ago I got to be a U.S. citizen and I got the right to vote, but I

still don't have the freedom to think for myself. So how the hell can I have free speech.

"The National Security Act, obviously, takes precedent over the Bill of Rights," Vulpes said. "It's main purpose today is to keep secret the criminal activities that first started taking place during the so-called Cold War.

"Now that they've cut the electorate out of the process, they've laid the foundation for the failure of this republic.

"But we're networking now. Things are going well. I'm talking to you and tomorrow I can go to the beach and not get killed. A few years ago, I couldn't have said that.

"I have all the names filed away, so that if anything happens to me, the names get released. I'm taking precautions to protect my life. I was once in real danger, but now, they've settled, and they've gotten a pardon. They were murdering, selling children, white slaving, drug smuggling -- doing whatever the hell they wanted and hiding it all behind mind control. Everybody had their side deals going. None of their wives knew about this. Now they've all gotten a pardon."

"We've found a lot of sergeants, a lot of menial government employees involved in doing the trauma-abused programming," I said.

"Yes," Vulpes said, "There was a guy in Miami who was nobody. He had nothing to say. A Post Office guy, but behind the scenes he was a heavy hitter. He wasn't happy that I began to remember what he'd done. Nothing he did would have been tolerated by his social group. If it was exposed he would have lost his social standing. He would have lost his intelligence capability because he was working under deep cover, and half of the politicians in Miami would have killed him.

"Everybody was playing both sides of the street. They were all double agents, selling to both sides, any sides, people who were on no side. People just feeding their own habits, doing deals with the declared enemy and everybody up the line knows it and doesn't care because they're getting theirs.

"They all knew what they were doing. The stupid people were the American Public. A lot of their stuff is still going on extracurricularly. People who were in the Monarch Project and were supposed to be eliminated and weren't, I think, are now being accessed by the former handlers who have retired from government service and are still doing what they were doing when they were in government service. They're no longer smuggling drugs for the CIA's black ops fund, their smuggling drugs for their own fund, and selling sex slaves and trauma-programming children so that they can have little MPD's to sell as sex slaves to paedophiles and so on... It happened across the board...

"That's how this king and that king was controlled, how this Senator and that Congressman was controlled, how Prince Charles was controlled and interfered

with, and manipulated so that he'll never be King of England... It was done with so-called Presidential Models...

"Now, they're getting their cumuppins, I think. There's momentum here..."

Now, we have to remember we're talking with a person suffering from MPD or DID here. And, while they believe what they are saying, it is all accurate and true? Perhaps we should look at what's known about this disorder. In his landmark book, *Multiple Personality Disorder: Diagnosis, Clinical Features, and Treatment* Colin Ross tell us<sup>61</sup>:

...multiple personality disorder is a little girl imagining that the abuse is happening to someone else. The imagining is so intense and subjectively compelling, and is reinforced so many times by the ongoing trauma, that the created identities seem to take on a life of their own, though they are all parts of one person.

Two basic psychological maneuvers form the foundation of multiple personality disorder. First, the little girl who is being repeatedly sexually abused has an out-of body experience: detached from her body and what is going on, she may float up to the ceiling and imagine that she is watching another little girl being abused. Since that unfortunate little girl on the bed below may have a different name and a different physical appearance, the abuse is not so terrifying and overwhelming because it is happening to someone else, and the child is buffered from the direct impact of the trauma. Second, an amnesia barrier is erected between the original child and the newly created identity. Now not only is the abuse not happening to the original little girl, she doesn't even remember it: this process is reinforced over and over as the abuse continues. Various identities may be created to deal with different aspects of the trauma, resulting in an eventual total of ten, twenty, or more alter personalities. Once the mind is in the habit of creating new identities in this way, alter personalities may be generated to cope with many non-trauma events, tasks, or functions in life, including going to school and dealing with peers.

Adult patients with MPD experience a number of core symptoms that should be inquired about in psychiatric assessments. These include voices in the head and ongoing blank spells or periods of missing time. The voices are the different personalities talking to each other and to the main, presenting part of the person who first comes for treatment. The periods of missing time occur when different

---

<sup>61</sup> Dr. Colin E. Ross, *Multiple Personality Disorder: Diagnosis, Clinical Features, and Treatment*, University of Toronto Press, 1989.

personalities take turns being in control of the body, and are attributable to the memory barriers between the personalities.

MPD patients also experience numerous other symptoms such as those associated with depression, anxiety, eating disorders, substance abuse, sleep disorders, sexual dysfunctions, and psychosomatic disorders, and symptoms that mimic those of schizophrenia. The assessment and treatment of multiple personality disorder must take this large array of trauma-related symptoms and problems into account. The complexity of the patients' symptoms often results in misdiagnosis and the institution of treatments that are not effective. In fact, in two different published research studies, MPD patients were found to spend an average of just under seven years in the mental health system before being correctly diagnosed (Putnam 1989; Ross 1989). During this time, they received many different diagnoses and treatments, none of which took the trauma into account.

Although MPD patients are, by definition, diagnosed as having more than one personality, they in fact don't. The different 'personalities' are fragmented components of a single personality that are abnormally personified, dissociated from each other, and amnesic for each other. We call these fragmented components 'personalities' by historical convention: much of the skepticism about MPD is based on the erroneous assumption that such patients have more than one personality, which is, in fact, impossible<sup>62</sup>.

The programmed MPD's such as Vulpes, are a different thing than MPD's who have dissociated from less systematic occurring traumas than those imposed during the trauma-based programming. The education of the mental health profession has just begun. Within the year they will have the tools they need to begin the adventure of deprogramming the survivors of Operation Mind Control.

---

■ Colin E. Ross, *The Osiris Complex*, University of Toronto Press, 1994.

Victoria Vulpes is a pseudonym for the child shown at right and below. At right is her passport photo as it appeared actual size in the newspaper. When the photo was blown up the butterfly and rose appeared on young Vulpes' blouse much to her surprise. A lot has been written about the butterfly, but Vulpes, at this time is afraid to learn what programming the rose could mean. Her therapy continues.

# Military controls my mind, woman says

By Times Staff Writer

rent fad for repressed-memory therapy.

start dabbling in repressed-memory therapy. — When you will be



... said her father was a Cuban who went into the military and was stationed in Germany and several bases, including MacDill in Florida. She was one of seven children.

... said, her father was military and returned to the United States about a year, when he was ordered by the Cuban government to leave. She regards this as a betrayal that he was a CIA agent. She alleged abuse at the hands of her father, which she said occurred during that time in Cuba, according to her lawyer. Her accusations include rape, incest and ritual sexual practices.

child. memories incest, rituals.

The name of this survivor in the newspaper and the reporter has been obliterated. This survivor has not yet been reintegrated.





## HIMMLER'S GUINEA KIDS

**H**einrich Himmler's *Lebensborn* program may have been the grandparent of Project Monarch. Monarch sought to create junior Manchurian Candidates with multiple personalities, each trained to perform a specific specialty. The kids were programmed to respond to codes, mnemonic cues, and audio-reversed triggers and tones. They were trained in killing techniques and the rapid assembly and de-assembly of exotic weapons. They were educated about poisons, explosives, languages and computers, then programmed to forget it all or remember only selected areas upon command.

Monarch produced a cadre of child spies who were directed to prey upon high placed military, government and high society paedophiles, sometimes hauling them into blackmail situations. As in the Nazi *Lebensborn* program there is evidence of selected breeding, adoption of the children, and a peculiarly large number of twins among them. There is mounting evidence that the directors of Project Monarch were former Nazis, and that, like Nazism, the Monarch program was interlaced with satanism.

Did this pet project of Heinrich Himmler rear it's head 50 years after the demise of the Third Reich in the cornfields of Nebraska? While the last gavel has yet to fall in the on-going litigation, and the major vein of the criminal conspiracy has yet to be opened in court, it appears that Himmler's dream came home to roost on the Great Plains in the good old U.S.A.

John DeCamp was a Nebraska state Senator for 16 years, during which time he was one of the most effective legislators in Nebraska history. A highly decorated Vietnam War veteran, a practicing lawyer, he's taken time from his demanding practice to write a book, self-publish it and sell it at lectures around the country. *The Franklin Cover-up, Child Abuse, Satanism and Murder in Nebraska*,<sup>63</sup> is a no-holds-barred exegesis of Omaha Nebraska's Franklin Community Federal Credit Union which was raided by federal agents in November 1988. The raid sent shock waves all the way to Washington, D.C. when it was learned that \$40 million was missing. The credit union's manager was Republican Party activist Lawrence

---

<sup>63</sup> Decamp, John, *The Franklin Cover-up, Child Abuse, Satanism, and Murder in Nebraska*, AWT, Inc., Box 85461, Lincoln, Nebraska 68501, 1992.

E. Larry King, Jr. Behind him stood George Bush and other powerful figures in local politics and business, and in the nation's capital.

DeCamp used public records to tell the story. In the face of opposition from local and state law enforcement, from the FBI and powerful *Omaha World-Herald* newspaper, a special Franklin committee of the Nebraska Legislature launched its own probe. "What at first looked like just another savings and loan swindle, soon exploded into a tale of drugs, Iran-Contra money-laundering, a nationwide child abuse ring, and ritual murder", DeCamp said. "The Franklin cover-up followed the ugly precedent of the Warren Commission."

"On June 21, 1991, 21-year-old Alisha Jahn Owen was pronounced guilty by a jury in Douglas County, Nebraska, on eight counts of felony perjury. On August 8, 1991, she was sentenced to serve nine to twenty-seven years in prison," begins Decamp's book. "Owen was indicted for telling a grand jury, before which she testified in 1990, that she was sexually abused as a juvenile, by a Nebraska district court judge, by the Chief of Police of the City of Omaha, by the manager of the Franklin Community Federal Credit Union, and others. Alisha Owen also witnessed, she said, the abuse of other children by figures in Nebraska's political and financial establishment whom she named, among them the publisher of the state's largest newspaper, the *Omaha World-Herald*. She testified that she was in a group of Nebraska children who functioned for years as illegal drug couriers, traveling nationwide, for some of Nebraska's wealthiest, most powerful and prominent businessmen..."

"If King was involved with CIA money laundering," DeCamp wrote, "that jibes with a report from a member of Concerned Parents: 'I heard from two different black people in North Omaha that King used to send limousines down to Offutt Air Base ( home of the Strategic Air Command) to pick up CIA personnel for parties.'

The sometimes expansive Larry King used to talk fondly about his friends. In a Sept. 7, 1988, interview with the *Metropolitan* King said, "I know some of the people I admire aren't very popular. Ed Meese. The late Bill Casey of the CIA. And I love former Chief Justice Burger. Those are the people I really like to talk to. Bill Casey... I just thought so very highly of him..."

"Larry King adored Bill Casey," Decamp said, "but what about one of Casey's predecessors at Central Intelligence -- George Bush? Ever since July 23, 1989, when the lead editorial in the *World-Herald* said that "one child... is said to believe that she saw George Bush at one of King's parties." King's connection with Bush has been a frequently asked question about the Franklin case. Anxiety on this account has run especially high in Omaha's black community, where in December 1990, one young lady stood up at the public meeting and proclaimed, 'I

think George Bush is involved in this child abuse case, and that is why all these people have been dying.'

"Inside investigators of Franklin, and the Webb case before it, know that Bush's name came up at the very beginning and it came up more than once. The July 1989 *World-Herald* column, in an attempt to discredit this and other victim-witness testimony, attributed the mention of Bush to a person 'under psychiatric care,' meaning Loretta Smith. In reality, the report was from Nelly Patterson Webb.

"Nelly first brought up Bush in 1986," Decamp said, "when she told Julie Walters about the sex parties she was flown to in Washington and Chicago. She saw Bush at two of these parties, she said, one in each city...

"Bush's name surfaced again in Lowe's May 1989 review of reports by Thomas Vlahoulis from the state attorney general's office:

**Sorenson told Vlahoulis that both Kimberly and Nelly brought up the name of George Bush and indicated that they had both met him...**

On June 10, 1989, Lowe received a letter from a citizen:

**There is a psychologist in Omaha who used to work for the CIA. In response to a direct question by an Omaha psychiatrist regarding George Bush's private life, this psychologist reported hearing rumors when Bush was head of the CIA, that correspond directly with one of the inferences made by Nelly Webb, and**

"...In August 1990," Decamp said, "Bush appointed Ronald Roskens of Nebraska, to head the Agency for International Development (AID). Roskens had been fired the previous year as chancellor of the University of Nebraska, where Larry King was a member of his 'chancellor's advisory committee.'

"Gary Caradori's daily notes from Feb. 19, 1989 record:

**I was informed that Roskins (sic) was terminated by the state because of sexual activities reported to the Regents and verified by them. Mr. Roskins was reported to have had young men at his residence for sexual encounters. As part of the separation from the state, he had to move out of the state-owned house because of the liability to the state if some of this sexual behavior was 'illegal.' Upon Roskins vacating the house, he was provided a house by Joe Secrist (sic) of the Lincoln Journal-Star.**

"The leadership of AID is the kind of sensitive job -- AID assignments have been used as a 'cover' by CIA agents, for instance -- for which appointees undergo a

background check that would have to turn up what Caradori also heard. Nevertheless, George Bush appointed Roskens...

"What do Ronald Reagan, President George Bush, former CIA Director William E. Colby, Democratic presidential candidate Bob Kerry, billionaire and second richest man in America and now head of Salomon Brothers – Warren Buffett, and Ronald Roskens, the current ('93) administrator of the Agency for International Development, all have in common?' I asked my close friend and adviser William Colby," DeCamp wrote. "I give up,' former head of the Central Intelligence Agency Colby said. 'What could that group have in common?'

"Three things,' I replied, 'all of them a burden at times for those who have to carry them. The three things are *me* (John Decamp), a case called Franklin and a man named Larry King.

"Are you serious?' Colby asked.

"Dead serious,' I responded. 'And I hope that word 'dead' does not turn out to be a prophetic pronouncement, as it has for at least fifteen other Franklin-related personalities.'

"My statement to Bill Colby was not made lightly," Decamp said. "Colby and his wife, Sally Shelton Colby, a United States ambassador under President Jimmy Carter, were at that very moment warning me to get away from the Franklin child abuse investigation, Larry King, and anybody else linked with Franklin, as quickly as possible for the sake of my own life and safety.

"Sally and Bill had never talked to me like this before. They sat me down, made it clear that this was not one of our routine discussions about life and health and happiness, and emphasized to me the serious nature of what and whom I was dealing with.

"What you have to understand, John, is that sometimes there are forces and events too big, too powerful, with so much at stake for other people or institutions, that you cannot do anything about them, no matter how evil or wrong they are and no matter how dedicated or sincere you are or how much evidence you have. That is simply one of the hard facts of life you have to face. You have done your part. You have tried to expose the evil and wrongdoing. It has hurt you terribly. But it has not killed you to this point. I am telling you, get out of this before it does. Sometimes things are just too big for us to deal with, and we have to step aside and let history take its course. For you, John, this is one of those times,' Bill warned, with Sally nodding her head in affirmation.'

"When a caution of this nature comes from someone of the stature and experience of Bill or Sally Colby, you have to take it seriously, even if you do not want to. I had already had warnings enough, that unless I backed off from the

Franklin situation, I might be looking at life from a pine box six feet underground."

John Decamp couldn't see how he could just lay the issue down and walk away from it. He couldn't see how anybody would want to live in a country where children were being sexually abused and killed by the nation's most respected citizens and business leaders who were also involved in drug dealing and official corruption.

"...Every bone in my body tells me that evil is triumphing and everybody who is anybody is scared beanless to do something about it, for fear of one thing or another?" Decamp said. "If I, or someone like me, do not keep pursuing this, then who will? And if we quit now, then when, if ever, will the truth come out and something be done about this evil and this corruption?"

So, Decamp kept on keeping on. He is a capable attorney and a fearless man who was largely instrumental in bringing the eyes of the world to focus on Larry King and the Lincoln S&L cabal. He gathered the evidence that brought the criminal conspiracy before two grand juries. Without knowing it, he stepped right into the middle of a Project Monarch operation. Happily he's still with us. Here's what happened. In his own words:

"Two grand juries, one local and one federal, had a mandate to consider these and other charges of child abuse connected with the Franklin Credit Union *They indicted the victim-witnesses for perjury instead!* [Emphasis is Decamp's.]

"This is unprecedented, probably in the history of the United States," commented Dr. Judianne Densen-Gerber, a lawyer, psychiatrist and nationally prominent specialist on child abuse. (Denson-Gerber is an MD who is thought to be a CIA asset. Her husband was on the Warren Commission.) During her visit to Nebraska in December 1990 she said: 'If the children are not telling the truth, particularly if they have been abused, they need help, medical attention. You don't throw them in jail!'

"Both grand juries," Decamp continued, "admitted that Alisha Owen and Paul Bonacci, whose testimony extensively corroborated Owen's, had been badly abused. But this was done, they concluded, by persons other than those the young people named. Bonacci, too, was indicted for perjury. Two other victim-witnesses, whose stories buttressed those of Owen and Bonacci, recanted under immense pressure. Alisha Owen and Paul Bonacci refused to recant..."

This was the first time the tip of the Monarch iceberg surfaced in public. It is a story which matched with others in all its lurid details -- perverted sexuality, bestiality, ritual abuse, trauma and mind control.

In late 1993 a key Franklin S&L witness, Troy Boner, admitted that the Federal Bureau of Investigation terrorized and forced him to lie for the protection of criminal perpetrators. Boner's coerced testimony was used to discredit the case against the powerful political figures, and to falsely convict for perjury Alisha Owen.

Attorney John DeCamp filed for a new trial for Miss Owen. He also pressed an explosive civil rights suit on behalf of Paul Bonacci who continued to give evidence, against armed forces and intelligence community personnel—and political leaders including former President George Bush.

The existence of Troy Boner's sworn statement, and the application for a new trial for Alisha Owen, were covered in a small detail-poor article Oct. 30, 1993 in *The Omaha World-Herald*, a newspaper which is a central party in the Franklin case. Otherwise, aside from a Nov. 1, 1993 Omaha radio interview with Boner and his attorney Decamp, the new evidence was subjected to a tight press blackout.

After the Nebraska Senate investigating committee found that over 100 children could testify to an international child abuse ring, related to black Republican Party activist Larry King, Franklin's chief executive, the FBI, Nebraska officials, and the news media attacked the legislative committee and its witnesses in an atmosphere of rising violence and intimidation. In the course of this terror, the committee's chief investigator, Gary Caradori, was killed when his airplane unexplainably disintegrated. Troy Boner's brother was found shot to death at Offutt Air Force Base. Alisha Owen's brother was found hanged in jail.

In a separate Oct. 27, 1993 affidavit, Troy Boner's mother said "Troy had promised me right after Gary Caradori was killed that he was going to quit lying for the FBI and [attorney Mark] Delman.... He did go and see Senator Schmit.... Sometime after that, my son, Troy's brother, Shawn was killed ... and I am quite certain was executed as a message to Troy that he had better stick with his lies at the upcoming Alisha Owen trial or else."

In his affidavit, Troy Boner said that after Caradori's death he spoke to Caradori's widow "Sandy and told her I had in fact lied to the Grand Jury and that what I told Gary Caradori was the truth and that I only lied out of fear that the FBI and others ... would hurt me or my family."

In a Nov. 1, 1993 KKAR-radio interview, Troy Boner claimed that he had also met with *Omaha World-Herald* reporter Gabriella Stern out of fear for his life. He had sought the reporter's protection so he could "do what was right" by Caradori, to whom he had told the truth. He said he had asked her to get the story out but not to use his name. He was then 23 years old.

The *World-Herald* in fact had carried an article on July 12, 1990 by Robert Dorr and Gabriella Stern, headlined "Caradori's Airplane Broke Up in Flight." The article quoted state Senator Loran Schmit saying the people who wanted to see Caradori dead "got their wish"; and that "Schmit told AP that Caradori recently had been trying to obtain pictures that some alleged victims said were taken of them during the time they were abused."

The article further included the following three paragraphs:

**A 23 year-old man--who last November gave Caradori a videotaped statement saying he had been sexually abused, but later recanted part of his account--said the investigator's death frightens him.**

**He said Caradori had warned him that people involved in the Franklin investigation could be in danger. The 23-year-old man, who hasn't been publicly identified, said he fears someone might try to harm him.**

**The 23-year-old, who said he had flown with Caradori several times during the investigation, said the investigator was meticulous about checking the plane before taking off.**

Decamp filed suit in the United States court in Nebraska, on behalf of Paul Bonacci, the courageous survivor of nearly two decades of torture. The suit asked damages from:

**--the Catholic archdiocese of Omaha, relating inclusively to sex abuse at the Boys Town orphanage;**

**--Lawrence King, Peter Citron, Alan Baer, Harold Anderson, and Robert Wadman for sex crimes, slavery, beatings, and burnings;**

**--Omaha police officers for harassment in an attempt to prevent Bonacci from testifying;**

**--and the corrupt Douglas County Grand Jury, its foreman Michael Flanagan, and its special prosecutor Samuel Van Pelt.**

During raids on Peter Citron's home, police seized a large number of videotapes, on which were recorded the degraded criminal acts committed by many elite citizens against Paul Bonacci, Alisha Owen, Troy Boner and other children. These tapes were prized by the perpetrators as pornography--and had great value as well for blackmail.

Paul Bonacci filed an affidavit, detailing the individuals and the crimes on the tapes, and asking for release of the tapes to his attorney John Decamp. Although former *World-Herald* society columnist Peter Citron had been classified as a "mentally disordered sex offender," Citron's attorney Lyle Koenig opposed the release of the tapes to the young man his client victimized, because of the

likelihood of "injury to otherwise innocent people.... There will be people in this State whose lives will be in a hopeless shambles as a result of these disclosures."

Since the 1992 publication of DeCamp's book, Paul Bonacci has filed new affidavits and has given extensive interviews to investigators including reporters for *Executive Intelligence Review* and *The New Federalist*. Bonacci's disclosures correlated with evidence supplied by authorities in law enforcement, psychiatry and the intelligence community. The results go a long way to explain the high stakes involved, and the frantic nature of the Franklin cover-up.

"The tight little circle of Nebraska corporate and financial interests," wrote Anton Chaitkin,<sup>64</sup> intertwined with the Franklin Credit Union defines the first level of national power that is threatened with exposure in the case.

"A clique of freemasons--the chief executives of Union Pacific Railroad, Con Agra, Peter Kiewit and Sons, Mutual of Omaha and the Omaha *World Herald* -- served on Franklin's Advisory Board and conduited funds from their own firms and from the Boys Town orphanage into Franklin's accounts.

"Union Pacific boss Michael Walsh, for example, was chairman of finance for Boys Town. The Union Pacific headquarters office in Omaha is reportedly completely gripped by homosexuality at the executive level."

Chaitkin pointed out that the foreman of the grand jury which indicted the sex-crime victims, Michael Flanagan, was himself employed in the legal department of Union Pacific--a company deeply involved in the Franklin case. The Bonacci suit charged that Flanagan "violated his Grand Jury duties by sharing Grand Jury information with ... lawyers and others he met with on a regular basis almost every day following Grand Jury proceedings at Union Pacific headquarters ... receiving advice and guidance from them on how to proceed in the Grand Jury proceedings and providing them information on the supposedly secret Grand Jury proceedings themselves."

"Flanagan had," Chaitkin wrote, "not long prior to the grand jury sessions, himself been accused of homosexual pandering directed at a young Union Pacific employee, and the company on his behalf had reached a settlement to silence the complaining young man."

In his Oct. 28, 1993 affidavit, Paul Bonacci stated: "The real activity I and Alisha and on occasion Troy Boner ... were engaged in was functioning as drug couriers and recruiters [of children] for Alan Baer and Larry King.... [They] were ... buying and selling large quantities of cocaine into the mid-west and using us as 'mules' (drug couriers) to obtain the goods from the various airports and get the drugs

---

<sup>64</sup> Anton Chaitkin, *FRANKLIN WITNESSES IMPLICATE FBI AND U.S. ELITES IN TORTURE AND MURDER OF CHILDREN*, *The New Federalist*, 1993.



delivered back to Omaha. Other prominent and wealthy Omaha citizens were also involved in this.

"... [T]he sex activities we did and were paid so well for were just tools to blackmail or compromise or pay off some judge or businessman or policeman or politicians generally ... here in Omaha or at Larry King's place in Washington or other places we went."

Now-imprisoned Franklin Credit Union manager Larry King became infamous as the host of child-sex parties held in the seats of power, such as at Republican national conventions. DeCamp's book placed King in the middle of a "national and international organized crime syndicate, engaged in paedophilia, pornography, satanism, drugs, and money-laundering."

Chaitkin wrote: "The use of these crimes to 'blackmail or compromise or pay off powerful men leads to extremely serious questions of national security."

Larry King's prime Nebraska sponsor and accused sex crime associate, former *World-Herald* publisher Harold Andersen, was chairman of the World Press Freedom Committee which Chaitkin called "a front for the Oliver North 'Project Democracy' faction of the intelligence services, managing political power relations within Eastern Europe."

Harold Andersen's reported best friend in Washington, D.C. was Nebraskan Robert Keith Gray, a shadowy power broker at the Hill and Knowlton political management firm. "Over many years, Gray and his associates in the intelligence community are said to have managed homosexual compromising operations to keep congressmen, judges, military officers, diplomats, and foreign leaders 'in line'," Chaitkin said.

The Franklin Credit Union was (from all the evidence) among the savings institutions used for money-laundering by the CIA and others for Iran-Contra adventures.

"This precisely defines where," Chaitkin said, "Omaha's Larry King showed up in Washington, D.C.—in the bizarre homosexual wing of the Republican Party, which managed financing and public relations for the Iran-Contra guns for drugs trading games."

Paul Bonacci described in detail being dragged to Washington for use as a sex toy for Larry King's clients. Bonacci told investigators he was in one of the private White House tours for young male prostitutes conducted by lobbyist Craig Spence, a close political associate of Larry King in the cloak and dagger Contras enterprise. Spence turned up dead in a Boston hotel room in 1989, soon after his and King's "compromising" business was exposed in a *Washington Times* June

29, 1989 story, headlined: "Homosexual Prostitution Inquiry Ensnarers VIPs with Reagan, Bush."

In one instance detailed in *The Franklin Cover-Up*, Paul was taken by Larry King and others to a wooded area in California--identified after publication as the Bohemian Grove. There Paul and another boy were forced to perform unusual sex acts with and to consume parts of a child whom they had watched being murdered by the cultists. The body was to be disposed of by "the men with the hoods." A "snuff" pornography film was made of these events; it was directed by a man the party had picked up in Las Vegas whom Paul identified as "Hunter Thompson"-- the same name as a well-known author.

At Offutt, and later at other military installations, Bonacci said this ring programmed him through torture, heavy drugging, and sexual degradation, instructing him in military arts of assassination. Bonacci's "personal knowledge in these realms," Chaitkin said, "can scarcely be accounted for other than by crediting the indictments he has made."

Larry King, FBI agent Gerry Wall, Alan Baer, Harold Andersen, and former Omaha Police Chief Robert Wadman have all been reported as collaborators with this Satanic military-based ring. King reportedly told Paul's captors at Offutt, "He's young--but you trained him good." A member of Nebraska's Concerned Parents group reported hearing from two North Omaha witnesses that "King used to send limousines down to Offutt Air Base to pick up CIA agents for parties."

"Psychiatrists who have treated a growing number of MPD cases, victims of Satanic ritual abuse, report an alarming pattern of findings in many of their child patients," Chaitkin wrote. "There is a *structure* to the personalities, conforming to what is evidently a deliberate breaking and reshaping of the mind."

This phenomenon was identified to Paul Bonacci by his tormenters, and to other victims and witnesses, as the 'Monarch' project. At Offutt Airbase, Bonacci was told that what he and other children were being subjected to was in the interests of national security.

"The use of mind-altering drugs, sensory deprivation, and other brainwashing techniques on U.S. citizens as subjects was the admitted practice of the CIA, certain military arms and private institutions joined in the MK-ULTRA, Artichoke, and Bluebird projects beginning in the early 1950s. A national security pretext often cited was the need to keep up with the Soviets in the race to develop a workable Manchurian Candidate human robot," Chaitkin wrote. "With the 'Monarch' project, the idea is extended to the production of a horde of children in whom the soul is crushed, who would spy, whore, kill, and commit suicide.

"Professionals probing the child victims of "Monarch" say there are clearly two responsible elements at work: the government/military, and cooperating satanic

(or more exactly pagan) cults. These are multi-generation groups, where parents donate their own children--who are proudly called "bloodline" or simply "blood" cultists--to be smashed with drugs and electric shock, and shaped.," Chaitkin wrote. "Other children are kidnapped and sold into this hell, or are brought in gradually through day-care situations.

"Paul Bonacci and other child victims have given evidence in great depth on the central role of Lt. Col. Michael Aquino in this depravity," Chaitkin wrote. "Aquino, alleged to have recently retired from an active military role, was long the leader of an Army psychological warfare section which drew on his "expertise" and personal practices in brainwashing, Satanism, Nazism, homosexual paedophilia and murder."

"A former director of the CIA (one assumes this was William Colby) was asked directly, 'what about Monarch?' He replied angrily, and ambiguously, 'We stopped that between the late 1960s and the early 1970s.' If a statement of fact, this would presumably relate to official participation of the CIA," Chaitkin said.

The disclosures of Paul Bonacci, which jibe with reports of MPD professionals in other cases, point to several peculiar artificially induced memories common to many Monarch victimized children. Chaitkin said that a number of the victims were recovering "memories of tormenters dressed as space aliens or Mickey Mouse or in Wizard of Oz costumes.

"There are said to be such other personality levels as Master Programmer, Black Master, and different mental levels of *backup* programs," Chaitkin said. "There are reported to be personnel who have large numbers of child-victims' assignments and triggers neatly filed in their little computers. "

Paul Bonacci reported the following "Monarch"-related activities, often involving his "Commander" at Offutt AFB, Bill Plemmons, and Lt. Col. Michael Aquino:

---Picking up cash in exchange for drugs at various Tennessee locations identifying several country music personalities as his contacts.

---Trips on behalf of the North American Man-Boy Love Association (NAMBLA), the paedophile group now given semi-official status by the United Nations. Bonacci cited travel to Netherlands and Germany carrying child pornography for subsequent "import" to the U.S.A. to avoid prosecution. In Amsterdam, he named "Charles Hester," and the British "Tommie Carter," who had on computer a global list of child pornography users. NAMBLA was also cited for organizing auctions of children.

—Travel to Hawaii, New York, Washington (in connection with Craig Spence) to compromise public figures by performing homosexual pedophile sex with them.

—The trip to California where the boy was ritually murdered, accompanied by "Monarch" contact, Mark Johnson of Denver, Colorado.

—Travel to Mexico for the transportation of drugs, guns, and children. Paul was accompanied by the gangster-figure "Emilio," who otherwise directed the kidnapping of Johnny Gosch of Des Moines, Iowa. Johnny Gosch's parents commend Paul Bonacci as an accurate witness relative to that crime.

—Training under "Captain Foster" (survival skills) at Fort Riley Kansas, under "Lt. Dave Bannister" (intelligence) at Fort Bragg, North Carolina, under "Col. Harris Livik" at Fort Defiance, Virginia, who is said to run a military school and to have housed "Monarch" boys. "Col. Bill Risher" of Bamberg, South Carolina is said to have supplied children for Michael Aquino.

—Travel to Dresden in communist East Germany, where weapons were inspected. There and in the Federal Republic of Germany, the "Monarch" personnel were frequently neo-Nazis. This area, Bonacci said, was a special project of Lt. Col. Aquino, who was a West European adviser to the U.S. Chiefs of Staff. Bonacci had extensive experience in the Aryan Nation and other White Supremacist cults.

Bonacci told the story of the teenaged concentration camp inmate allegedly named Greenbaum, who had participated with the Nazis, to save himself, came to the United States under Project Paperclip, the secret and illegal importation of Nazi war criminals by the U.S. intelligence agencies. Known later as "Dr. Green," Bonacci said he became a high-level mind controller, and, according to Bonacci is widely represented today in mind control programs which have a distinctive magic theme.

Precise details of all these horrors lie deeply buried in national security archives, perhaps. But this history, as told to psychiatrists, dovetails with what is definitively known about Anglo-American intelligence operations and the German Nazis.

The killers in the Nazi camps were themselves trained and organized by psychiatrists and eugenicists, operating from the "T4" bureau. These psychiatrists

had long been the pets of white supremacist British and American financier networks.

"At least some of these Nazi doctors were spirited out of Germany under the supervision of former Bank of England Governor Montagu Norman and Tavistock Institute Director John R. Rees on behalf of the British government," Chaitkin wrote. "Norman, had been chief of a prewar pro-Nazi faction within England, and Rees, organized postwar propaganda and continuing psychological warfare activities, and created 'Orwellian' groupings within U.S. psychiatry and mental health fields."

Much of this criminal history comes together in the person of *Robert A. Lovett* (1895-1986). Robert Lovett and his closest associates have run the state of Nebraska during much of this century.

Lovett was the chief executive of the Harriman-owned and Omaha-based Union Pacific railroad, as his father had been. Robert Lovett was a partner in the Brown Brothers Harriman international banking firm, with Averell Harriman and Prescott Bush, father of President George Bush. Chaitkin wrote: "Montagu Norman arranged many of the intrigues on behalf of Hitler and the Nazi Party through the Harriman, Lovett, Bush firm, in which Norman himself had been a hereditary partner."

Under President Truman, Robert Lovett chaired the Lovett Committee, which made the decision that the U.S. should have a central intelligence agency modeled on the British Intelligence Service. Lovett was Secretary of Defense in 1951-53; his attorney, Allen Dulles, then took over the CIA.

"Lovett, Harriman, the Bush family, and a very select group of their associates--owners of drug and defense multinationals, many from Yale's Skull & Bones Society--maintained homes on *Jupiter Island*, off Hobe Sound north of Palm Beach, Florida. Jupiter Island is the headquarters for the so-called Utopian faction in military strategy, the heavy Anglophiles, as opposed to the Traditionalists typified by Douglas MacArthur," Chaitkin wrote.

Troy Boner, a witness in the Franklin Credit Union case, swore out a new affidavit on October 27, 1993. In that affidavit Boner said:

... I, my mother and family, are exhausted from living in fear of death or injury as a result of ... the Franklin matters.... I lied at the Grand Jury hearings and I lied at the Alisha Owen trial.... I lied because I truly believed and still do believe that it was a situation where I must either "lie or die," and at the insistence primarily of the Federal Bureau of Investigation officials ... Mr. [Mickey] Mott and Mr. [Rick] Culver. ...What I told Gary Caradori in the original taped interviews

In my first contact with the F.B.I., [they] ... made it clear to me that ... [they] were only interested in *disproving* everything I had told them. They [took] the position that ... "if you will tell us you are lying then we will let you off the hook but if you insist on sticking with the story you told Caradori then we will stick you in prison ... for twenty years each on a lot of different charges of perjury. If you insist on sticking with your story, you will go down."

... The F.B.I. in conjunction with my new attorney, Marc Delman ... [made me] say that the truth was a lie and the lies they wanted to tell me were the truth... I told the Grand Jury what the F.B.I. and Delman wanted me to tell the Grand Jury which is that the story to Gary Caradori was a "hoax." But, as stated, the exact opposite is true.

[Then] ... Gary Caradori was killed. I have no proof but [since] I ... believe[d] he was deliberately killed ... as part of a cover-up and as a result of my lies to the Grand Jury, I immediately called his home ... [and] spoke to his wife Sandy[. I] ... told her ... that what I told Gary was the truth and that I only lied [to the Grand Jury] out of fear that the F.B.I. and others.. would hurt me or my family and [had] promised me they would put me in jail if I did not say what [they] ... wanted me to say....

I also met Senator Berniece Labedz at the Caradori funeral and agreed I would meet her and Senator Schmit for lunch immediately following the funeral [to] ... go over my alleged "recantation" and ... tell her and the Committee all the facts. At the funeral, however, the F.B.I. agents ... made it clear to me thru their actions that they knew what I was up to and gave me the clear impression that I was in "great danger" if I went ahead and met with the Legislative Committee and tried to tell them the truth. So ... I told my mother ... that ... I was going to stick with my lies to the Grand Jury....

[Later,] Marc Delman and Mickey Mott saw Senator Schmit say on T.V. that I had been in his, Schmit's office, and my "recantation" had been false.... Even though Marc Delman knew I had been at Schmit's office and that what Schmit was saying was the truth, he ... asked me whether the conversation had been taped or whether there was any other record of my having been in Schmit's office to talk to Schmit. I told Delman there was no tape or any other record....

[O]n Delman's instructions I publicly lied and denied any meeting or discussion with Senator Schmit and Delman [did too].... Delman's exact words to me were, "It's your word against his ... as long as there are no tapes."

Mickey Mott the F.B.I. man ... [then] ... said something I interpreted ... to have been a direct and personal threat that later came to pass. When I told ... the F.B.I. people ... that Alan Baer and others "could not afford" to do anything to hurt me now because too much publicity was focused on me ... Mott ... told me that they probably would not do anything directly to me, that instead "they will do something to a family member." And ... that is what happened shortly thereafter ... when the F.B.I. and ... Baer and others thought I might break away from them....

I am completely certain ... that my brother Shawn was killed as a message to me ... not to ... tell the truth at the Alisha Owen trial. After Shawn got killed, I had no doubt at all ... that they would do anything and kill anybody to keep the truth contained and to keep me lying for them; and I complied with [their] every request.... Before the Alisha Owen trial I was carefully rehearsed by the F.B.I. as to what I would say....

[T]he F.B.I. ... had actual pictures ... in their possession including ... Alan Baer (1983 picture of he and me [at age 15 or 16] in very pornographic sexual acts) as well as checks from Alan Baer to me. So, they had to absolutely know I had a relationship with him and that they were forcing me to lie when I denied such relationships [in court] ... [T]he F.B.I. had seized photos and tapes involving among others myself and ... and Larry King.... I know from having seen tapes at Peter Citron's house that the F.B.I. had access to tapes which clearly documented [what] I and the other kids had identified.... I know the ... F.B.I. and ... others ... will say [in reply]: "You can't believe ... Troy Boner now. If he lied once, he will lie again. He's a drug addict. He's a sex pervert.... Besides, these kids were ... using the drugs and ... selling their bodies and ... getting paid well for it and they did it all voluntarily."

... Yes, we kids, from early age, sold our bodies. We became drug addicts. We got lots and lots of money from these people. But today we are ruined because of that. And we were turned into sex perverts and drug addicts by these people.... Alan Baer ... was the one who first taught me to mainline and who first ... injected heroin directly into my veins--same as he did to a lot of other boys. He ... made me a prisoner of drug addiction to ... completely control me and use me to deliver drugs or deliver sex or anything else.... Alan Baer ... first injected me with a "speed ball," ... a heroin/ cocaine mix that zips you up ... but brings you down mellow....

Marc Delman ... claimed that I had not met with Senator Schmit to tell the truth and I followed his instructions in denying it.... This ... can be checked out. There were people who saw me with Schmit [and] with Senator Labedz.

... I saw the picture the F.B.I. had of me and Alan Baer. Some official sure ought to be able to get this picture to prove who is lying--me or the F.B.I.

... Lots of kids ... knew about Alan Baer, Larry King and the major drug dealing activity they and other prominent people were involved in. But, as long as they are scared for their lives because of what happened to Alisha and me, they are not going to say anything.... [An] honest prosecutor [should] step in and offer immunity and protection to these kids....

...[A]sk me ... or any of the other kids ... to take ... lie detector ... tests side by side on the same questions with the people we are accusing of these things....

Researcher, writer, producer, Andy Boehm interviewed Paul Bonacci with Decamp's assistant Denise Meyer in 1993<sup>65</sup>. He corroborates the stories of the other Project Monarch victims. (Please note that Boehm as well as Chaitkin question whether "Monarch" is the true code name of the project.)

Paul Bonacci encountered Michael Aquino at Offutt Air Force Base several times wearing an army uniform. "Mainly it was on his trips to... I think it was St. Louis," Bonacci said, "And cause he came here for a couple of different Satanic holidays." Bonacci said Aquino and other members of the Temple of Set dedicated a part of the Old Market in downtown St. Louis to Satan, walking around the area in street clothes, performing the ritual.

"I encountered a lot of things that were with Monarch that were somewhere else," Bonacci said. "We went to different military bases. I went to Ft. Riley, Kansas. I went to the Prsidio out in California for some training... a base in Colorado which is where they did a lot of the 'alien' training. What they would do is have a couple of ships that would look like alien ships, and they would drug you up. Cause I remember doing this to other kids. And they'd use some of the other kids and they would put them in uniforms and they would use LSD which would make you feel like you were already out of it anyway...

"...They would be wearing uniforms and they would do little experiments. They would actually take little metal -- they looked like implants -- and they would let

<sup>65</sup> Boehm, Andy, letter to the author dated February 6, 1994, with attached rough transcript numbered pages 17-45 entitled: *Bonacci on Monarch and Satanism*, ©1993 Andy Boehm. Excerpted with permission.



you see what they were doing. Some people would implant them, and then take them out... later on. I know some of them were locators. Because they wanted to know where the person was at all times. I mean they had this little thing. it was on the satellite and they could find that person. The reason they were doing that – I overheard some of them talking about it – this sounds weird – as they had soldiers in action or something in different countries, that they would know where all their men were and they would know what the status of them was, whether they were living or dead, and they would be able, if they were dead, to find their body. So, that's why they were testing them. But on the kids they were using it to make sure they knew where they were..."

Boehm to Bonacci: "So aside from Aquino... did you see some ... wherever you were with these Monarch activities... (did you see) some of those people (who were) at the Satanic activities too?"

"Some of them yes," Bonacci said. "The adults were wearing military uniforms when they were training us and so were we... They kept everything at the base... but during most of the training we wore regular street clothes... When we went through the 'alien' programming (we wore street clothes)... The reason that anybody could come out of Monarch (alive) was because they all would be talking about little green men."

Giving some insight into the difficulties all Monarch victims have, Bonacci said, "I remember when I first started talking . Everything was so jumbled up and that was their programming. Because people would try and get information out of me and the codes that they would use to scramble everything was the very same thing people were asking me. They were asking me a question, (but) what they were doing is getting everything scrambled up."

When Boehm asked Bonacci where he got the name Monarch, the young man said: "I got the name Monarch because Monarch was the name that was part of a code that was supposed to destroy all my memories of the Monarch activities..." (Another more fully recovered "Monarch" victim says that she doubts if Bonacci ever heard the word Monarch.)

Bonacci explained that when the word Monarch was heard, it "almost started to erase everything I knew..." But, that must not have been the entire code, just the name, because it would trigger enough of his (*sic*) multiple personalities so they'd start coming out in random order, telling everything... " they thought this was deprogramming time, so it's time to start telling everything." But then, Bonacci said, the programmers weren't there to "pull them (the personalities) out one at a time , so it's like each one of them came out, as you know, in different orders..."

Bonacci said that there were two groups of Project Monarch slaves. "Some were put into society," Bonacci said. "They were the ones that went into entertainment,

and a lot of them were used for transporting drugs, which is the way they paid for the programming." They used the entertainment industry because they could input their messages for the future. "If they wanted to start a revolution," Bonacci said, "they'd put it right in the music and it would go out over the airwaves..."

It was not easy for Paul Bonacci to remember certain things. At the time of Boehm's interview with him he was still in intensive therapy and had not completely reintegrated his multiple personalities.

Boehm asked how they went about planting things in his mind, things which he said would make him sound absurd if he told anyone about them.

"They would play things – show things on a screen," Bonacci said. "They would have that person sitting there and saying something, but you couldn't really tell what he was saying, yet you'd hear the words real plain, but it might not have been in his voice. Like, he was talking, you could see that he was talking, but the words and the mouth didn't match, but you would put it together" like an actor speaking in a poorly dubbed foreign film.

Bonacci said one part of the training was trying to get him to read other people's minds. "Everybody says I basically read their mind. They'd ask and I'd answer it for them before they got it out. The ones they used for that (extrasensory perception) were the ones they trained in satanism. They trained them as magicians because – this is going to sound even crazier – when they trained us we could actually do it, because there are spiritual forces and they do teach you to control – how to get demons to do stuff for you. I can't say control, because those demons are going to turn on you someday. But having your own demons that would do it. They would be the ones that would do it..."

"So," Boehm said, "You were instructed in that sort of context... not that it was a physical force from ah..."

"Yourself," Bonacci said.

"But, it's actually like a little spiritual," Boehm said. "It's spiritual rather than scientific..."

"Yes."

"Was it always on the negative side," Boehm asked. "Was it a demon rather than God or an angel or a fairy?"

"It was always on the demonic side," Bonacci said, "because that's the only ones that you could work with. And if somebody asked you, you never told them about the demonic stuff... It was always: *You're* in control. *You* can do it."

Bonacci went on describing what sounded like a bad acid trip. "I was able to do a lot of things... Such as, at the time, which I can't do now because I don't have demons under my control. I don't want them. But turning on TV's, turning off lights, blowing things up, like light bulbs or something... We could make tires go flat on people's cars, and we could make them so they couldn't start... this is stuff that I did after I was away from them."

So, far it sounds like there's an army of zombies being trained from a very early age in Satanism, magic and certain skills of psychoscience. That was surprising enough, but it was infuriating to hear that at a very early age Bonacci was trained to hate black people.

"They trained me to hate black people," Bonacci said.

"The Aryan Nations did?" Boehm asked.

"No. The government program. That's why I didn't like Larry King at all. I mean it was kind of like, to me, I hated him from the time I met him."

Andy Boehm said, "Paul says a lot of outlandish things, but despite initial doubts, I now believe that everything he told me is either true, or he sincerely believes it to be true.

"I've seen people like (former FBI bigwig) Ted Gunderson try to lead him into lying and try to test his tales with uncaptioned photos. Paul never comes out having uttered an intentional falsehood.

"CBS lambasted him for having said that years earlier he had seen now-Omaha-Mayor P.J. Morgan engaging in sex with little boys -- or more accurately, he said they were told he was P.J. Morgan. The Mayor heatedly denied this in a CBS special about innocent folks wrongly accused of child abuse," Boehm said.

"Had CBS bothered to look more deeply into the case, they'd have noted that Mayor P.J. Morgan used to have a son named P.J. Morgan Junior. I say "used to have a son" because Morgan Jr. -- a well known Omaha pederast -- killed himself the day after the kiddie-sex aspects of the Franklin Scandal became public. Right name, right family, wrong guy (or maybe not; some say the Mayor himself has some unusual appetites)."

Bonacci said his Monarch programming started when he was five and continued until he was 22. "Most of the people that they train were probably fairly young, probably 4 or 5... up until the time they were out of high school because as soon as you're out of high school their plan is for you to go into the military..."

One is advised to take Bonacci's testimony as that of a non-integrated MPD. Much of Bonacci's state of confusion might be an example of the adverse affects of "Christian" counseling. The guilt trip laid on survivors by a belief system that places the blame for a mind control victim's behavior on themselves is not helpful. One should not be asked to identify with one's own behavior, unless one has made free choice of that behavior. Apparently the U.S. legal system would not agree. Such is the legal and judicial ignorance of the capability of mind control.

## 15

### FINDERS, KIDNAPPERS, NAZIS

According to a Customs Service memorandum<sup>66</sup>, the CIA and FCIA (Foreign Counter Intelligence Agency a distinct and autonomous organization within the FBI ) were both involved in a mysterious group with behaviors similar to the one in Nebraska. Known as the Finders, CIA ownership of this organization was kept secret for seven years after local law enforcement uncovered its practice of child abduction, kiddie-porn, ritual abuse, and slavery.

In early February 1987, an anonymous tip to the Tallahassee, Florida police brought cops out like bloodhounds. The caller said two "well dressed men" seemed to be "supervising" six disheveled and hungry children in a local park. The two men were identified as members of the Finders. They were charged with child abuse in Florida. In Washington, D.C., police and U.S. Customs Service agents raided a duplex apartment building and a warehouse connected to the group. Among the evidence seized were detailed instructions on obtaining children for unknown purposes. Several photos of nude children were found, one of which appeared "to accent the child's genitals."<sup>67</sup>

The Customs agents determined that the children may have been enroute to Mexico from Washington, D.C. Customs had been contacted because police officers suspected the adults of being involved in Child pornography and they knew the Customs Service had a network of child pornography investigators in their Child Pornography and Protections Unit.

When the Customs agents came on the scene, police had two well dressed white males, Douglas Edward Ammerman and James Michael Howell. The six children were identified with full names, but we shall use only first names since they are definitely innocent. The children were Mary, age 7; Max, age 6; Benjamin, age 4; HoneyBee, age 3; B.B., age 2 and John Paul, age 2. All were taken into custody.

<sup>66</sup> Customs Service memorandum, February 7, 1987, *Customs cooperation/interest in Tallahassee/Washington MPD child abuse investigation*, 12 pages.

<sup>67</sup> Witkin, Gordon; Cary, Peter; Martinez, Ancel; *Through a Glass, Very Darkly – Cops, Spies And A Very Odd Investigation*, December 27, 1993/January 3, 1994, U.S. News and World Report, page 30.

According to the Customs Memorandum: "The children were poorly dressed, bruised, dirty, and behaving like animals in a public park in Tallahassee" when they were taken into custody. The subjects were living in a white 1979 Dodge van with Virginia plates. "When taken into custody, the adult white males refused to cooperate." One of them produced a 'business' card with a name on one side and a statement on the other. The statement indicated that the bearer knew his constitutional rights to remain silent and that he intended to do so.

"Upon interviewing the children," the memorandum said, "the police officers found that they could not adequately identify themselves or their custodians. Further, they stated they were enroute to Mexico to attend a school for 'smart kids.'" The children were unaware of the function and purpose of telephones, televisions and toilets, the memorandum said. "...the children stated they were not allowed to live indoors and were only given food as a reward." One wonders for what?

In the van, the Tallahassee police discovered large quantities of records, computer discs and a U.S. passport. From some of the records the police obtained identification of the two adults, and partial identification of the children. This led to search warrants of two Washington D.C. addresses owned by the Finders group.

An informant gave the police information regarding a "cult" by that name, operating at various businesses, one of which was a "warehouse" for the children. "The information was specific in describing 'blood rituals' and sexual orgies involving children, and an as yet unsolved murder in which the Finders may be involved," the memorandum said. "With the information provided by the informant, Detectives were able to match some of the children in Tallahassee with the names of children alleged to be in the custody of the Finders," the memorandum said.

"During the execution of the warrant at 3918/20 W. St., " the memorandum said, " I was able to observe and access the entire building. I saw large quantities of children's clothing and toys. The clothing consisting of diapers and clothes in the toddler to pre-school range. No children were found on the premises. There were several subjects on the premises. Only one was deemed to be connected with the Finders. Stuart Miles Silverstone was renting space to other tenants. He was located in a room equipped with several computers, printers, and numerous documents.

"Cursory examination of the documents revealed detailed instructions for obtaining children for unspecified purposes. The instructions included the impregnation of female members of the community known as Finders, purchasing children, trading, and kidnapping.

"There were telex messages using MCI account numbers between a computer terminal believed to be located in the same room, and others located across the country and in foreign locations. One such telex specifically ordered the purchase of two children in Hong Kong to be arranged through a contact in the Chinese Embassy there. Another telex expressed an interest in "bank secrecy" situations.

"Other documents identified interests in high-tech transfers to the United Kingdom, numerous properties under the control of the Finders, a keen interest in terrorism, explosives, and the evasion of law enforcement. Also found in the 'computer room' was a detailed summary of the events surrounding the arrest and taking into custody of the two adults and six children in Tallahassee, Florida on the previous night. There were also a set of instructions which appeared to be broadcast via a computer network which advised participants to move 'the children' and keep them moving through different jurisdictions and instructions on how to avoid police attention..."

At the other Washington address, the customs agent writing the memo was again granted unlimited access to the premises. "I was able to observe numerous documents which described explicit sexual conduct between the members of the community known as Finders.

" I also saw a large collection of photographs of unidentified persons. Some of the photographs were nudes, believed to be of members of Finders. There were numerous photos of children, some nude, at least one of which was a photo of a child 'on display' and appearing to accent the child's genitals. I was only able to examine a very small amount of the photos at this time. however, one of the officers presented me with a photo album for my review.

"The album contained a series of photos of adults and children dressed in white sheets participating in a 'blood ritual.' The ritual centered around the execution of at least two goats. The photos portrayed the execution, disembowelment, skinning and dismemberment of the goats at the hands of the children. This included the removal of the testes of a male goat, the discovery of a female goat's 'womb' and the 'baby goats' inside the womb, and the presentation of a goats head to one of the children," the memo said.

"Further inspection of the premises disclosed numerous files relating to activities of the organization in different parts of the world. Locations I observed are as follows: London, Germany, the Bahamas, Japan, Hong Kong, Malaysia, Africa, Costa Rica and 'Europe. There was also a file identified as 'Palestinian.'

"Other files were identified by member name or 'project' name. The projects appearing to be operated for commercial purposes under front names for the Finders. There was one file entitled 'Pentagon Break-In,' and others which referred to members operating in foreign countries.

"Not observed by me but related by an officer, were intelligence files on private families not related to the Finders. The process undertaken appears to have been a systematic response to local newspaper advertisements for baby-sitters, tutors, etc. A member of the Finders would respond and gather as much information as possible about the habits, identity, occupation, etc., of the family. The use to which this information was to be put is still unknown. There was also a large amount of data collected on various child care organizations.

"The warehouse contained a large library, two kitchens, a sauna, hot-tub, and a 'video room.' The video room seemed to be set up as an indoctrination center. It also appeared that the organization had the capability to produce its own videos. There were what appeared to be training areas for children and what appeared to be an altar set up in a residential area of the warehouse. Many jars of urine and feces were located in this area.

"I should also mention that both premises were equipped with satellite dish antennas."

"U.S. Customs interests," the memo concludes, "now lie in the purpose behind the inquiries into bank secrecy laws, the type and purpose of high-tech transfers outside of the U.S., and the purpose of the organized procurement and smuggling of children across the U.S. international borders. The possibility still exists that the children are being smuggled for a primary or secondary purpose of producing child pornography.

"Other agencies with interest may be the Internal Revenue Service, the Immigration and Naturalization Service, the Department of Commerce, the Department of Defense, and the FBI. The FBI is already involved in the investigation of the transportation of the children already discovered across state lines as it pertains to the Mann Act."

In an attached memo dated April 13, 1987 the cryptocracy's secret unraveled. Referring to the previous memo by date and description, Subject: "Finders", From: Special Agent, this memo reads: "I spoke to a third party who was willing to discuss the case with me on a strictly 'off the record' basis. I was advised that all the passport data had been turned over to the State Department for their investigation. The State Department in turn, advised Metropolitan Police Department that all travel and use of the passports by the holders of the passports was within the law and no action would be taken. This included travel to Moscow, North Korea, and North Vietnam from the late 1950's to mid 1970's.

"The individual further advised me of circumstances which indicated that the investigation into the activity of the Finders had become a CIA internal matter. The Police report has been classified Secret and was not available for review. I was advised that the FBI had withdrawn from the investigation several weeks prior and



that the FBI Foreign Counter Intelligence Division had directed the police not to advise the FBI Washington Field Office of anything that had transpired. No further information will be available. No further action will be taken."

An attached Chronology points out that "the CIA made one contact and admitted to owning the Finders organization as a front for a domestic computer training operation, but that it had 'gone bad.' CIA defers all further contacts to FCIA ( Foreign Counter Intelligence Agency). FCIA is distinct and autonomous organization within the FBI."

The conclusion of the Chronology reads: "Children discovered in Tallahassee were eventually turned over to individuals claiming to be parents or guardians. No further MPD, FBI or Customs involvement.

"As far as is known, no details of CIA or FCIA involvement ever became public," was the final line of the Customs report.

As best we could determine the Finder's memo was "leaked" to former *People* magazine and ABC News correspondent Civia Tamarkin by a patriotic person or persons she will not name. Tamarkin is a long term investigator of the ritual abuse phenomenon. We telephoned her in Chicago and asked for her opinion on the documents.

"The problem is the whole ritual abuse network is corrupted," Tamarkin said. "The survivors even have a forum on Prodigy. They're cross-pollinating and corrupting the information -- maybe it's on purpose."

"A lot of people in the mental health community would like to fit this all into a neat little package, and it doesn't.

"If I get one more call from therapist who says "I have a Monarch patient," Tamarkin said. "There's no official evidence that Project Monarch exists. So, then you start pushing, 'How did you know it's called this. How do you know this term? You find out someone else gave them the term, and one told another and pretty soon it's the all-encompassing term for mind control.'"

"You gotta be real careful with this stuff. See, the minute any survivor has recall of torture of electroshock, sensory deprivation etcetera there's a tendency to leap on it and say, 'It's mind control, it's MKUltra, Monarch and whatever.' The fact is that a lot of it is torture, as simple as that. It's used in the Greek military, the Latin American military... across the board, you name it. There's this tendency -- the minute there's a disclosure about electroshock -- for therapists who say, ' Ah ha! Mind control...'

"There were documents about a camp in New Hampshire, six documents. The CIA went out and looked for people who were doing the research that played into what they were looking into, and they funded it.

"There is a preponderance of survivors who claim to have a military background -- their parents do or whatever. I do not believe that all of them were victims of MKUltra or some CIA program.

"There was a recent study that came out showing the high rate of domestic abuse among military families. I think that's consistent."

I said, "Yeah, that's the fertile field that they farmed, I guess."

"Exactly," Tamarkin said. "That's the fertile field. Along the same lines that there were quid pro quos with known molesters, known perpetrators. There was an attempt to deal with a subject group that had a trauma base..."

"Hysteria factors into this," Tamarkin said. "There's the tendency to generalize, and, of course, I've been fighting for years this cult stuff. I've heard well-recognized, reputable therapists talk about the cult personality, the cult trying to get the survivor back, the cult...cult, cult when they should be talking about the perpetrators, offenders, sex rings whatever. It has become a catch-all."

"I gave a speech in February (1994) and looked at this group and I asked them 'what's a cult?' Let's count how many we can. You talking about Moonies, Hari Krishnas, what...?"

"The point is they use the cult term as a catch-all term."

"Now, what about the Finders' documents?" I asked.

"I had the finders documents for years," Tamarkin says. "I had them back in the 1980's. Everyone jumps at this."

"They don't say the CIA's involved," she said. "What they say is, 'What we do know is that the Finders group was a CIA front as an information gathering organization.'"

"The fact that some of these kids may have been molested by members of the group who are living a communal lifestyle, and the fact that the investigation was scuttled and turned over to FBI counter-intelligence, does not mean anything. People who don't know how this operates have a tendency to lump it together and say, 'This is proof!'"

"All it means is that an intelligence operation became vulnerable because members of this group may or may not have been acting irresponsibly and criminally with children. To whit -- there was never any proof by the way."

"They covered it up to protect the intelligence end of it, which is not conclusive in any way. Intelligence communities -- law enforcement at any level use informants, have operatives... and if those operatives go out on a limb, whether it's money laundering, whether it's pornography, whether its drug use -- you name it --- you cover that up because you're protecting your sources. And that's what happened here."

"But if we repeal the National Security Act the way we repealed the Volstead Act, then all of these secrets will come out, huh?" I said.

"Yeah," Tamarkin said. "And all the informants will be known and there will be no plea bargaining any more and people are gonna get fair trials and there's going to have to be a 12 man jury system and the Bill of Rights will be in effect once again..."

"How do you feel about that?" I ask her.

(Laughs, as if you say, you must be kidding.) "You know what? They should have done that years ago. This is a shadow government it's not surprising. And that's how this Finders thing has gotten so distorted.

"If you look at the customs agent report, it's not conclusive. I've studied it for years, I've dealt with the agent involved..."

"There was no follow up on it?" I asked.

"Well, they began looking at it again, back in January, 1993, because some of the legislators were making a big stink about it. But nothing ever came of it."

"Was the Finders a computer whiz kid kind of thing?" I asked.

"Sure," she said. "They were involved in transferring money. Yes, but that doesn't mean they were involved in satanism..."

"Certainly looks like they were transporting little kids to Mexico," I said.

"Well," Tamarkin said, "the group that was caught in Florida alleged they were taking these kids on a field trip to Mexico. The two adults were members of the Finders group and they had CIA connections. But, again... given the fact... if one assumes that all that is factual and that they were in fact prostituting kids, or molesting them, it doesn't mean it was a CIA operation..."

I began to get the impression that Tamarkin was stretching things a long way in favor of the cryptocracy. Maybe she somehow believed the National Security Act was a good thing?

"Let me ask you this the," I said. "Back in the 70's during the Vietnam war, there was a big ring smuggling heroin sewn up in the dead bodies of soldiers killed in the war. Three guys were brought to trial. A DOD guy showed up, flashed his ID, took the judge into chambers and said, 'In the interest of National Security you can't prosecute these guys.' The case was dismissed. Who was smuggling the heroin? The three guys or the cryptocracy?"

"We do know," Tamarkin said, sticking to the official records, the crimes that had been uncovered and officially acknowledged, " offshore activities that Congress had prohibited were being funded through heroin trafficking. We know that. Now we know that.

"See, there's a whole lot of percs going down in the intelligence biz," she said.

"Doesn't it look like the same black ops thing hanging over the Finders?" I asked.

"No." she said, because we don't *know* if it was sanctioned by the CIA. We know the heroin trafficking was."

Is this why nobody relies on the newsmedia to keep them up to date – by the time the cryptocracy confesses, the crime has been over for twenty years? Is this an example of 'playing it safe journalism' or is Tamarkin an asset of the Mossad, as the conspiracy underground whispers? (Why the Mossad? Why not Turkish intelligence?) Or is Tamarkin trying to stay in good with the cryptocrats so they'll throw her a bone now and then? Or was she merely conditioned by media peer pressure --pressure from her peers to not dare use common sense? Pressure from peers in a profession that is, by a former CIA Director's candid admission, thoroughly co-opted?

What kind of country has this one become? What kind of world? What evil infests the land which allows innocents to be corrupted in the cradle? What evil seeks children to torture? What civilization abandons its children, gives them drugs, shocks them, hypnotizes them and harbors sexual assault upon them by their family, their clergy and representatives of their government?

And what kind of people in what kind of institutions are these which encourage such perversions, as if the success of the system depends on providing for sexual deviates? What agency protects the paedophiles, the small-dicked sadists, the satanists, and blood sacrificers who can then be controlled through their carnal desires by the invisible hand of blackmail?

It is a world in which the most decadent and barbaric Romans would feel at home? It is a world in which the Nazis are at home? It is the Fourth Reich by design of the conquering heroes of World War Two? Did the victors, the Allies, become the enemy they fought? Breeding children in a Lebensborn program, or simply to sell as child slaves to paedophiles?

It didn't take long to discover more about Silverstone:

Silverstone turned out to be a recognized expert on desktop publishing and graphics, who had written for leading computer magazines on a regular basis. He also worked as a writer for one of the national news services and in his capacity as a computer whiz, he worked for both the White House and the Pentagon. His main area of expertise was war rooms, which is what the Pentagon hired him to consult on. He traveled to Russia and wrote articles about that country's use of computer technology.

Silverstone was a colleague of Nicholas Negroponte, who runs the ARPA-funded Media Lab at MIT. He studied architecture at MIT and taught there for a while. He had his own key to the most secure areas of the Media Lab and he would take friends there at night. He is a student of futurism, practices meditation, and uses one of the more expensive online services to access Internet. Once he confessed, jokingly, that he worked for the "DIA", which he said was a ludicrous organization called "Dim Idiots Association." Still he did know war rooms and he did have the keys to this defense contractors's most secure areas.

The Finders had communal houses in Los Angeles, San Francisco, Albany and a number of other U.S. cities. In Washington, D.C. they kept two houses. The Finders travel internationally to hot spots around the globe. The profile of their leading members fits well the silhouette of an intelligence asset.

A person once close to the organization told us that the Finders have several people "affiliated" with them who are writers who "function like a loose-knit intelligence agency." They travel to such "hot spots" as Japan, China and Russia.

The Finders are allegedly funded by the earnings of their members and by "donations". Members can often be found working in "service" jobs. They work as carpenters, clerks, researchers, and in Washington a number of them worked for the Library of Congress, congressional offices, and in corporate offices.

Their leader, Marion Pettie, was thought of as a guru by devoted members who called him "The Student," "The Stroller," "The Game Caller" or "The Pathfinder" and believed that when Pettie lectured them at their Washington house about the "New Age way of living" and Eastern Mysticism, he could peer into their souls.<sup>68</sup>

A series of interviews conducted by John Mintz and Marc Fisher of *The Washington Post* revealed that the organization was completely dominated by the (then) 66-year-old Pettie who lives on a large farm in Virginia.

Pettie was an Air Force master sergeant who retired in 1956 and bought extensive woodland property in rural Madison County, Va. He started the Finders in the late 1960s as a communal experiment which was supposed to look "characteristic of

---

■ RELIGION UNUSUAL CHILDREN ABUSE, San Jose Mercury News, Feb. 9, 1987.

the period." *The Washington Post* said "he sought intelligent, well-educated people who could discuss the latest thought in philosophy, psychology and human development."

Since I wrote this I obtained a complete set of the Finder's documents, just as they appeared in the original, with all the names included. Publishing the names of the investigating officers might bring harm to them, or some other innocent parties. If you are an avid researcher, your own *samisdat* network will turn up photocopies of the originals, then you too will know all the names.

With the complete set of documents was the following introduction, which I will excerpt:

**For many years there has been rumors and hearsay comments by individual law enforcement officers that a certain U.S. government intelligence agency was kidnapping children and using them as sex toys to entrap, blackmail and manipulate politicians, diplomats and other officials. Up until now there has been no clearcut, irrefutable evidence available to the public. But now, finally the public has 'smoking gun' evidence of paedophile kidnapping /abuse rings operated by a U.S. government intelligence agency.**

**These official U.S. customs investigation reports are irrefutable evidence of:**

- 1. A case of obvious child neglect/abuse involving child paedophile sexual abuse/child pornography/satanic cult ritualistic abuse wherein the perpetrators were caught directly in the act by law enforcement, arrested on the basis of irrefutable evidence at the scene, and faced serious charges which typically bring sentences of decades in prison.**
- 2. Whereas, search warrants were obtained for the "Finders" cult office in Washington, D.C. and a complete search was enacted by law enforcement which provided irrefutable pictures, movies and documents of such above abuse/neglect and evidence of access to the confidential arrest reports on the "Finders" cult from the arrests in Tallahassee which occurred only a day earlier (suggesting very high level connections to U.S. intelligence agencies in and of itself).**
- 3. Whereas, all investigation of the "finders" cult by the FBI, U.S. Customs and local law enforcement was ordered stopped by the U.S. Justice Department on grounds of "National Security" and the matter of the "Finders" cult was turned over to the Central Intelligence Agency as an "Internal Security Matter," since the "Finders" is and has been a domestic and international covert operation of the Central Intelligence Agency.**

4. Whereas any and all investigation of the "Finders" cult was immediately stopped, all evidence was suppressed and denied, the abused child victims were released back to the adult perpetrators who had been arrested "in the act" and the CIA resumed its ongoing covert operation of the "Finders" cult which is used to procure and produce:

The development of child/assets to be used to entrap politicians, diplomats; and corporate, and law enforcement officials; to sell such child/victims to wealthy perverts to raise money for covert operations, to train some of the child/victims to be professional operatives and assassins of a totally cold, multiple personality, mind-controlled nature.

This most disgusting perversion perpetrated by our government needs to be exposed. To date only one media outlet has dared publish anything about this (U.S. News).

Please, make copies of this packet, give it to all your friends, associates and neighbors. Send it to your local media and demand investigation and coverage. Send it to all your congressmen, senators and state and local politicians and demand investigation. Give a copy to your local police chief and any police officers or government officials you know. Make a minimum of five copies and much more if you can afford it. This information can be distributed as a "chain letter" and can create massive exposure, thus posing a major force to manipulate the CIA to stop the perpetration of these major felony and capitol criminal acts of the most disgusting variety.

In the last few years there have been other "smoking guns" proving that U.S. Intelligence agencies traffic in Children, sell them and abuse them. Some of these covert operations have been tied to long term and massive importation, distribution of narcotics into the USA by the same intelligence agencies.

Write and demand that your Congressman and Senators repeal the National Security Act and destroy the use of the false cloak of "national security", which is frequently and habitually used as a means of covering up the most serious Rico type criminal acts imaginable by U.S. Intelligence agencies and our U.S. Justice Department.



DEPARTMENT OF THE TREASURY  
UNITED STATES CUSTOMS SERVICE

REPORT OF INVESTIGATION

4700-01 (27), P&PM (Special Agent Handbook)

1. TICS ACCESS CODE	C-3
2. PAGE	1 OF 2
3. CASE NUMBER	

4. TITLE

FINDERS

5. CASE STATUS

Initial Report   
 Incom Report   
 Div. Pending   
 Open & Close   
 Inp & File   
 Closing Report

6. REPORT DATE

04/13/87

7. DATE ASSIGNED

02/05/87

8. CLASS

1

9. PROGRAM CODE

700

10. REPORT NO

1

11. RELATED CASE FILE NUMBERS

12. UNDEVELOPED LEADS TO

None

13. TYPE OF REPORT

Tax   
 Search Warrant Enforcement   
 Penalty Case Report   
 Monitoring of Services   
 Initial Security Examination   
 Source Detail  
 Investigative Findings   
 Substantive Service   
 Summary Report   
 Background   
 Request for Colloquy   
 Other

~~XXXXXXXX~~

On Thursday, February 5, 1987, Senior Special Agent Harrold and I assisted the Washington, D.C. Metropolitan Police Department (MPD) with two search warrants involving the possible sexual exploitation of children. During the course of the search warrants, numerous documents were discovered which appeared to be concerned with international trafficking in children, high tech transfer to the United Kingdom, and international transfer of currency.

15. DISTRIBUTION		16. SIGNATURE (Type Name & Title)	
SAC/RAC SAC/VA Beach RAC/Tallahassee		<i>Ramon J. Martinez</i> @13 Ramon J. Martinez, Special Agent	
CAV/SCA	ARCIEI SE	17. APPROVED (Type Name & Title)	
NO DIV E:EO:SD:G	RIB SE	<i>Lynwood Rountree</i> LYNWOOD ROUNTREE, Resident Agent in Charge	
NO INT :I:S	FILE RAC/DC	18. ORIGIN OFFICE	19. TELEPHONE NUMBER
OTHER		Resident Agent in Charge 12310 Pinecrest Road Suite 200	447-0554



## MAY THE FORCE BE WITH US!

The first evidence of the use of hypnosis as a reliable operational tool of the cryptocracy, according to John Marks,<sup>69</sup> can be found in the work of Morse Allen in 1954. Of course hypnosis itself had been used by shamans and fakirs to manipulate and control people for centuries. Marks explains that Allen's work came at the height of the Project ARTICHOKE explorations in which the spooks attempted to use hypnosis to "programme" an assassin. CIA documents also reveal that in 1959 John Gittinger recommended the use of hypnosis in operational experiments. (Of course our latest evidence shows that Navy Intelligence had been using mind control in the 1940's, at least.)

The CIA files contain a translation of a Soviet research project entitled *Unperceived Manifestations of Mental Processes in Deep Hypnosis*<sup>70</sup> which described the success of their psychoscientists: "We succeeded in programming not only the subject of dreams (I would like to visit Africa in my dream...), but to program color perception (let my dream be blue...), as well as inducing a specific mood after sleeping,"

The CIA's active interest in the use of posthypnotic suggestions is further evidenced in their October 1966 – confidential *Technical Report – Hypnosis in Intelligence*<sup>71</sup>. The report states: "Most of the proposed uses of hypnosis in intelligence work, particularly the defensive applications, involve posthypnotic suggestions." They discovered that; "conservatively, a posthypnotic suggestion is believed to remain effective for several months, and beyond this, for years, if periodically reinforced."<sup>72</sup> The CIA paid equal attention to self-hypnosis and autosuggestion. Of course, one can suspect anything found in any CIA document obtained under the FOIA. The emphasis on these relatively harmless forms of hypnosis is probably just part of the "cover story" planted in the files for persistent researchers to discover. We know from the scientific literature that hypnosis can

<sup>69</sup> Marks, John, *The Search for the Manchurian Candidate*, Times Books, 1979.

<sup>70</sup> V.L. Raykov, *Unperceived Manifestations of Mental Processes in Deep Hypnosis*, Moscow Voprosy Filosofii in Russian No. 4, 1978 pp 107-114. (Article by V.L. Raykov) Translated for the CIA's "Official Use Only."

<sup>71</sup> *HYPNOSIS IN INTELLIGENCE - TECHNICAL REPORT* (Confidential - CIA), October 1966.

<sup>72</sup> *ibid*

be used to cause "spontaneous" death, through manipulation of the histamines in the body, control of the respiration (induction of severe asthmatic attacks), and the control of other involuntary functions by post-hypnotic suggestion.

Of course any technology can be applied to harm a person as well as help a person. Whatever can kill can also cure.

In the 1970's, John Grinder stood on one side of the stage and said, "There is no such thing as hypnosis."

Richard Bandler stood on the other side of the stage and said, "Everything is hypnosis."

Grinder and Bandler, the creators of NeuroLinguistics Programming, were both correct in what they said.

Hypnosis is a normal, everyday process. We all go in and out of "trance" several times every day. It's so ordinary, so much a normal part of our life, it doesn't deserve to be isolated from the rest of our everyday mental processes and given a special name. Hypnosis is not sleep, but hypnosis has something in common with sleep -- in both states one accesses one's "unconscious" or "subconscious" mind. If hypnosis (and NLP) is anything it is the art of addressing the unconscious mind.

Go along with me for a moment.

*Remember a time when you wore a costume. It could have been to a Halloween party or some costume ball or in a play. See yourself in that costume? Now, what would you do, if you were going to wear the same costume today? How would you improve it? See yourself in the new improved costume.*

If you were really letting my words guide, you were looking into your mind's eye imagining what you must have looked like in the past in some particular costume. Maybe you remember a photograph of yourself in the costume and you were looking at that in your mind's eye. At first you were accessing the *remember* part of your visual filing system. Then, when you decided you'd improve it for today, you were accessing a different part of your mind's eye, where you keep the *creative* visual department. In any event what you were doing is the same thing people have done since the days of Anton Mesmer ( the inventor of mesmerism), or way back, in the days of the prehistoric shamans. You were enjoying the use of your "trance" state.

You were dissociated from your surroundings momentarily and looking within -- seeing with your "mind's eye." You had put yourself into a "hypnotic trance." You might just as well call it "creative visualization." It's a very useful tool, well known to actors and athletes.

Go along with me again

*Stand up where you are. ( I'm assuming you have enough room to swivel your body from the hips.) Turn around ( to your right or to your left, it matters not) and go as far around as you can with your arm extended and your finger pointing. When you've gone as far around as you can go, sit down your arm and make a note of something which your finger is pointing at as a marker.*

*Now come back around to the front. Take a deep breath, then exhale. Close your eyes after you've finished reading this, and in your minds eye, without moving your body, imagine yourself turning around again, the same way you did before, only this time you go far, far beyond where you'd gone before. Now see yourself coming back to the front. Open your eyes. Take another deep breath. Now, when you feel like it, turn around again and see how far you can go.*

Your results prove the value of the trance state. And if that doesn't do it, read *Inner Tennis* and *Inner Skiing* and anything about the Feldenkreis technique.

I learned about the power of "creative visualization" in Anthony Robbins's NLP class, and had it reinforced when I interviewed a skyscraper climber, 22-year-old Dan Goodwin<sup>73</sup> who climbed the 102-story John Hancock building in Chicago.

Goodwin told me that he sat down beneath the building a few days before he climbed it, visualizing every inch of the climb. "When I planned the climb, long before... whenever I visualized the building in my mind's eye, I saw water coming down it," Goodwin said.

The day of the climb Goodwin wore a wet suit instead of the Spiderman suit he usually wore. On the 37th floor he found out why he'd worn the wetsuit when an ax shattered the window near him and overzealous firemen tried to knock him off the building by spraying him with a powerful jet of water from a firehose high above.

"They were trying to kill me," Goodwin said. "The Chicago Fire Department wanted to knock me off the building!"

"As if a torch had been lit beneath me, I burst into a ball of determined energy, climbing at a rate that would surely have broken the speed records," Goodwin said. "The higher I rose, the stronger the water pressure grew. The frequency of the broken glass and flying axes increased..."

In the end Goodwin negotiated a settlement with the City of Chicago. Charges were dropped in exchange for some autographed photos of the mayor shaking hands with Goodwin.

"I don't think I'd have made it if I wasn't wearing the wet suit. And I wouldn't have been wearing the wetsuit unless I'd seen myself climbing that building soaking wet."

---

<sup>73</sup> *Palm Springs Life*, July 1985.

Such is the power of the human unconscious, and the usefulness of "visualizations".

Here are a couple of exercises that will prove that 1. people are accessible to you and 2. you too can be a "hypnotist," and use the "language of the unconscious" to get what you want, no matter what it is.

Tony Robbins told me this one, and you might want to adapt it to your own situation.

Tony went to lunch with a couple of men he wanted to invest in one of his businesses. He was explaining to them that NLP worked and that it was a tool of communication that would eventually be included in our culture from kindergarten, through family upbringing, military training and so on.

At some point he realized that no amount of logical explanation would get these guys to understand and believe in what he was trying to tell them. Both his companion's attention had been captured by an attractive brunette who entered the restaurant. Following her lunch date, the woman walked past their table to be seated against the opposite wall of the dining room. She sat facing away from Tony but still within his view, and behind his two prospective investors.

After Tony realized it would take too much time to educate his prospective investors, he remembered the language of the unconscious and decided to apply it to achieve his outcome.

"See that attractive brunette over there?" he said, gesturing toward the woman.

Both men turned around and looked at her.

"If, without saying a word to her, or leaving my chair," Tony said, "I get her to come over here and introduce herself to me, will you invest in the business?"

Both men agreed that it would be impossible for him to do that, but reluctantly they agreed they would invest if in fact he could make that happen.

So Tony went to work. He matched the woman's physiology -- sat the way she was sitting, gestured the way she was gesturing and most importantly he matched her breathing pattern. He could do this easily because she was in his line of sight. The two prospective investors couldn't see the woman and didn't know what Tony was doing.

At one point, when Tony had established a perfect match of the brunette's physiology and breathing, she did as most people do, unconsciously (or otherwise), she "felt" something that made her turn around and look at Tony, whereupon he gave a wave of his hand, the familiar gesture that says "come on over."

All this time, Tony was making small talk with the two prospective investors and enjoying his lunch. They did not notice anything unusual about his behavior. He kept talking about NLP, his business idea, and their investing in the company.

When the brunette's date got up to pay the check, and she was following him out of the restaurant, she passed Robbins' table, stopped and said to him, "My name is Sue Smith. Don't I know you?"

Tony and Sue had an instant rapport. They exchanged phone numbers ( Tony was single at the time), and the two men invested in his company.

Vary this story any way you want, but try it yourself. And if you don't understand what I've written here, since it's easier to see it and try it than it is to talk about it, take Tony's class or my class or any NLP class and you'll learn how to "mirror and match."

Or, perhaps you'd prefer to prove the power of your ability to communicate with others through the "language of the unconscious" this way.

*How to get a table in a crowded restaurant without having to wait (without bribery):*

Approach the person in charge of the waiting list. Notice some attractive visual to which the list keeper is insensitive, something he or she has been looking at for days or weeks and doesn't notice anymore, something which, when it was new, he or she liked to look at -- maybe a grouping of artificial flowers, a new wallpaper, a tablecloth, the cover of a menu. Say, " My, that's a good looking \_\_\_\_\_."

Follow this by noticing some sound, like the high pitched whine of a bearing going out on the ventilation system. Say, "You know that bearing sounds like it needs oil."

And then immediately take notice of an aroma, say -- ribs being bar-b-qued over a mesquite grill. The list taker smells it night after night and so has become consciously desensitized to it, as he or she has become desensitized to the sound of the bearing and the sight of the tablecloth. (The subconscious is alert even when the conscious mind is asleep.) Say, " That bar-b-que sure smells good."

Follow these validations (feedback to the sensory awareness of a sight, a sound and a smell) of unconscious input with a positively worded suggestions, " *and, since I have to get back to the hospital as there are patients depending upon me, you will put my name at the head of your list and call out (insert your name).*"

Then follow up with a totally irrelevant question such as, "Did it rain here last night?"

The listkeeper's subconscious reacts this way: "Yeah that tablecloth is pretty. He was right about that. I was aware of that all the time... And, yeah, I did hear that squeaking bearing and know it needed oil... And, he's right again. I do think the

ribs smelled delicious on the bar-b-que... This guy's right about all three of these sensory inputs of mine, so he must be right when he tells me that *I will put his name at the head of the list.*"

But he or she doesn't remember thinking that. He or she doesn't remember your saying anything because he or she is trying to remember if it rained last night. In effect he or she has amnesia to the embedded command (*you will put my name at the head of the list and call out ( your name.)*)

The unconscious mind is like a big dumb machine. It goes where you direct it to go and once it gets going it keeps going off in the direction you've pointed it.

Then you've walked away from the listkeeper. A moment goes by until the listkeeper sees an open table which can accommodate your party and, even though it's against the boss' orders to put anybody at the head of the list, the listkeeper finds herself or himself calling your name, not knowing why he or she unconsciously did it.

These are simple and safe forms of "hypnosis" you can try just for fun. They should prove to you, beyond doubt, that there's untapped power in learning the "language of the unconscious."

The CIA has a school for training its agents in these techniques of communication. And so does the DIA. It's time everybody learned the language of the unconscious.

What follows are categories of behavior that occur in trance<sup>74</sup>:

*Dissociation* – Known in waking states as "reverie" or "daydreaming".

*Catalepsy* – A state characterized by uncommon muscular rigidity.

*Amnesia* – A common phenomenon in everyday life. Like the times when you've had a word on the "tip of your tongue" but can't remember it.

*Anesthesia* – Related to amnesia, the subject dissociates from feeling in parts of the body.

*Age Regression* – Reliving or revivifying the past in a present context is yet another form of dissociation.

*Negative and Positive Hallucinations* – Negative Hallucination refers to the trance subject's ability to delete sensory information at the hypnotist's suggestion. Positive Hallucination is the experience of stimuli that are not present.

---

<sup>74</sup> Lankton, Steve. *Practical Magic, A Translation of Basic Neuro-Linguistic Programming into Clinical Psychotherapy*, Meta Publications, Box 565, Cupertino, Ca. 95015, 1980.

**Ideomotor Activity** – This refers to the involuntary capacity of the muscles and nervous system to respond to external stimuli. This is useful in enhancing suggestibility.

**Hypermnnesia or Memory Recall** – In deep trance people can recall events from their past in much greater detail than while in a "normal" waking state.

**Time Disorientation or Pseudo-Orientation in Time** – A person absorbed in a good concert will experience the passage of time much differently from someone taking a difficult test.

**Post Hypnotic Design** – A special kind of Pseudo-Orientation in Time. Programming a subject to respond to some future stimulus in a given way.

According to U.S. Army Psyops Colonel, John B. Alexander<sup>75</sup> "In 1983, the Jedi master (from George Lucas' *Star Wars*) provided an image and a name for the Jedi Project, a human-performance modeling experiment based on neuro-linguistic programming (NLP) skills. Sponsored by a U.S government interagency task force, Jedi used advanced influence technologies to model excellence in human performance. The subjects involved in Jedi were willing to be influenced to acquire desirable skills.

"The Jedi Project grew out of the New Patterns of Influence Program, developed during the early eighties to disseminate NLP skills throughout the U.S. Army, under the auspices of the U.S. Army Intelligence and Security Command and, until 1984, the Organizational Effectiveness School..

Col. Alexander told us: "Under the auspices of Major General Stubblebine, a small interagency team ( with the U.S. Army as the lead member) was formed to see if NLP modeling technology could be beneficially applied to real-world training problems. Since the U.S. military is the largest training institution in the world, much time and money could be saved by improving techniques for teaching common skills. This team was a part of a large-scale organizational look at training technologies.

"As team members became familiar with NLP capabilities, they started wondering where its boundaries might be. They came to the conclusion that such boundaries existed only in the minds and belief systems of individuals. New and more complex skills will be required of our warriors in the future, and the project was an attempt to adapt training skills to meet these future needs," Alexander wrote.

I had less luck when I was seated next to Brig. General Russ Sutton of the U.S. Marine Corps at a Bob Hope Classic banquet in Palm Springs. I tried to convince the General to get the entire U.S. Marine Corps to walk on fire so that they would have a "winning" resource state to use when they had to go into combat. Alexander named Wyatt Woodsmall as one of the Army's NLP instructors, and since I too received instruction from Woodsmall I can attest to his competency,

---

<sup>75</sup> Alexander, John B., *The Warriors Edge*, William Morrow & Co., New York, 1990.

efficiency and integrity, as I can to that of Anthony Robbins, whom Alexander did not name, but who told us about his involvement in Jedi. ( Their politics, of course, might be a difficult thing to attest to.)

Alexander makes several mistakes in his book *The Warrior's Edge*. If I had made such mistakes in the first edition of this book, I would never have heard the end of it. He demonstrated a philosophical incongruence, applying the highest ideals to the lowest purposes -- the art of war. He also omitted from his book some of the most important premises of NLP -- premises without which it doesn't really work. He unforgivably misidentified the great hypnotist/psychiatrist Milton Erickson as Erick Erickson, and so on. To say the least, the book is fragmentary, incomplete and error ridden. Still, let's give Alexander and his collaborators Janet Morris (co-promoter of Non Lethal Weaponry) and Major Richard Groller, U.S.A.R, high scores for Jeffersonian effort in making the attempt to enlighten the military industrial complex through education.

One of the Army's students, former Intelligence Officer Julianne McKinney experienced the Army's NLP training: "It was a superficial thing," she said. "Like most of the military education one got it, was geared to the slowest learners. And you usually don't get people that swift in the military, even in the 'intelligence' branches. Military training is second rate education at best. I can't use a bit of it (NLP) today."

Of course, McKinney was trained by the people who trained the people who trained the people... Things do have a tendency to get watered down.

The military as well as major corporations have been very interested in putting NLP to use. The Ford Motor Company, Westinghouse, and the Calvin Klein Fashion House are among scores of major companies that have sent employees for training, according to *The New York Times*.<sup>76</sup> "Kevin Garby, an author and researcher on "New Age" topics in Carlyle, Pennsylvania, cites an army recruiting slogan "Be All that You Can Be" as evidence of what he contends has been the significant influence" of NLP-like disciplines. In the early 1980's, Garby said, "officers at the Army War College in Carlyle, some of whom were graduates of EST, and were former members of The Radical Students For A Democratic Society, conducted a study aimed at creating a 'New Age Army.' The slogan, a derivative of the 'You Create Your Own Reality' orthodoxy of New Age groups, grew out of this work."

The study, the *Times* reported, " according to participants, also envisaged training soldiers in meditation, developing skills in extrasensory perception, magic, and in 'neurolinguistic training,' a hypnosis technique..."

A number of former students of NLP founder, Richard Bandler remember him boasting in class that he could commit murder and use NLP to convince a jury

---

<sup>76</sup> New Age Intelligence, The New York times, Monday, September 29, 1986.



that he was innocent. Some think that's what he may have done in 1987 when he was tried for murder and acquitted.

A lengthy article in the San Jose Mercury News<sup>77</sup> began with a quote from Bandler: "I'm going to play some mind-games with you in this seminar, because the brain is my favorite toy."

He seemed to be at the peak of his form that day, although later people would start to wonder. The room was full of psychotherapists, all laughing at his jokes. It was 1983, four years before the murder.

Richard Bandler was talking about motivation, and how people's attitudes could be changed through therapy. This went to the heart of Neuro-Linguistics Programming, the controversial discipline he'd co-founded 10 years before. NLP, a mixture of hypnosis and linguistics, studied how people influence each other in subconscious ways.

The idea was that covert manipulation could be learned and applied, with beneficial results. Psychotherapists had called it a dangerous form of mind control, but they couldn't get to the seminars fast enough. Neither could doctors, lawyers, corporate executives, salespeople -- anyone who thought a little manipulation could go a long way.

So on this day in 1983, about 15 therapists were sitting in their rented chairs, and Bandler was observing that many attitudes are thought to be hard to change. Most of us, for example, avoid doing certain tasks because we associate them with anxiety or discomfort, and we can't imagine feeling any other way.

He asked for personal examples from the group. A male therapist offered one.

"What would make you do this behavior willingly?" Bandler asked.

"Absolutely nothing," the man said.

---

<sup>77</sup>

Kathy Hokub, MIND OVER MURDER, *San Jose Mercury News*, November 8, 1987, page 14.

Was he sure?

The man looked sure. "Well, a small-caliber hand gun might do the job," he offered flippantly.

Bandler reached into a pocket and whipped out a derringer.

"Would this do?" He waved the gun in the man's face. "Do you want to change now?"

When he saw the gun, the therapist went into 'deep panic.' The incident was so embarrassing that even now, four years later, he agrees to discuss it only on condition of anonymity. So we'll call him Dave.

"When I saw the gun," Dave says, "I knew he wasn't going to use it, but I did not know for sure that absolutely he wouldn't."

Bandler stared at him. "You don't think I'm going to use this, do you?" he said. He jacked up the gun and walked closer. "Are you sure I won't use it?" Then he walked away.

Bandler kept this up for perhaps 10 minutes, walking back and forth. Every time he walked away, Dave would "intellectualize and dissociate."

Every time Bandler came closer, Dave almost "crapped in my pants and ran out of the room." Dave swung back and forth between the two states of mind, helpless under Bandler's spell.

Others in the room were terrified. "There was no one taking a breath," says one observer.

When it was over, Dave says, he vowed never to use such a technique on his own patients; it was far too aggressive. But a few

months later, his attitude toward the task he'd mentioned to Bandler underwent a dramatic and positive shift.

To this day, NLP trainers call the incident one of Bandler's most delicate and brilliant pieces of work.

"What was so funny," Dave says, "Is that I made the suggestion myself. I gave him the ammunition. I guess there was a part of me that said, 'It's time to work on this.' But I never in God's world expected him to have a gun in his pocket..."

NLP sessions don't usually involve guns, but the "confusion" technique described above, put Dave into a state something like a trance, in which he was flipping between two states. In the opening Bandler, no doubt, implanted some positive suggestions for change which the article does not describe. Milton Erickson was a master at this very useful technique. What was happening was Bandler was having a conversation with Dave's unconscious mind, which most of the audience and certainly the reporter were not trained to notice.

The article goes on with Bandler's history, telling how he cured people from addictions to alcohol, cigarettes, food, drugs, any craving one could imagine.

But if Bandler ever tried them on himself, he never mentioned it.

He found new thrills elsewhere. He started working with the U.S. Army and the Central Intelligence Agency, doing projects on post-Vietnam stress syndrome, marksmanship, removing foreign accents from speech. He did some highly sensitive work for the CIA on training potential hostages to withstand torture and interrogation. Kate Wells, a local attorney, remembers sitting in his apartment one day "with the three top CIA agents in the country. They were like this with Richard." She makes a goggling face. "They were in awe of him. They would've done anything to please him. Sitting in this cruddy little living room in Capitol. It was surreal..."

Then, could it have been possible for the cryptocracy to frame Richard Bandler for murder?

All we know is that on Nov. 3, 1986, Richard Bandler was charged with killing a woman with a single shot to the head. The victim was Corine Christensen, 31, an alleged prostitute and cocaine dealer. She died in her townhouse in Santa Cruz, a block from Bandler's.

Bandler declared his innocence, hired a lawyer, went to court and was acquitted of the crime. A friend of Bandler's named James Marino, alleged to be a cocaine dealer, who was in the room at the time of the shooting failed to appear in court. He said he "feared for his own safety." After a lengthy discussion with his attorney, Marino was persuaded to surrender.

Marino was the only witness against Bandler. He gave a lengthy, rambling testimony which described how Bandler had shot Christensen through the face with a .357 magnum, which had been found in the waters off the Capitola pier, just where Marino had said it would be.

When the hearing was over, Municipal Court Judge Tom Kelly spoke frankly. "My mind went back and forth all week," he said, "about which man was guilty. He would order the case to trial, he said, but the evidence so far seemed skimpy.

"The only thing I know for sure, beyond a reasonable doubt, is we had a murderer in this courtroom the last week and a half," the judge declared. "Beyond a reasonable doubt I cannot tell you who that person was."

A caption under a photo in the report reads:

Bandler and UC-Santa Cruz linguistics professor John Grinder divided people into three broad categories depending on the sensory mode they preferred. Some people are predominantly 'visual,' some 'auditory' and others 'kinesthetic.' NLP was soon being sold as an aid to therapy, business, sales, even law, where it was promoted as a boon to trial work. When critics attacked it as a form of dark magic, Bandler and Grinder retorted that people have been manipulating each other for centuries and they might as well understand what's going on.

The only thing the reader needs to know about this case, for the purposes of our report, is Richard Bandler was tried for murder and found not-guilty by a jury of his peers.

But, a tinge of guns and drugs and the Jedi fantasies of the cryptocracy surround NLP, like a foul-smelling smog. Its name has been so tainted that Anthony Robbins no longer calls it by that name nor do many other masters of the Ericksonian art.

Another U.S. Army Psyops Col, Michael Aquino had an equal if opposite fascination with Lucas' Star Wars trilogy. Aquino's affinity was for the "dark side" of the "force", the Jedi gone wrong -- Darth Vader.

In the diaries and notes of the "Presidential Model" O, Aquino is witnessed wearing his Darth Vader cape to the White House:

Much to Aquino's dismay and embarrassment, Reagan admired the occult role that this Army Lt. Colonel played for mind control traumatization purposes, as it fit in with the public promotion of religion Reagan had launched. Reagan claimed to believe that the masses were easiest to manipulate through their religion, as were mind controlled slaves like myself.

While Reagan had Aquino in D.C., he demanded that he wear his black ritual robes to a White House party to reinforce the controlling superstitions of a few South/Central American diplomats. Aquino appeared foolish in the eyes of his peers. They knew Aquino's image was only a guise for Psychological Warfare, but his appearance at the White House in costume made Aquino look like he believed his own facade...

We've already heard a lot about Col. Aquino, but now, let's see if we can find out anything about his personal philosophy. What did this U.S. Army Intelligence Colonel do for relaxation? He wrote fiction. Specifically he used George Lucas' story *Star Wars* to explicate his dark philosophy.

In *A DARTH VADER FANTASY, "The Secret of the Sith"* published in Famous Monsters magazine<sup>78</sup>, Aquino's Darth asks Aquino's Princess Leia: "Who are you to pursue selfish policies of regional prosperity in callous disregard for the damage they may cause thruout (sic) the rest of the galaxy"

A little while later Darth says: "...It would be far more efficient than the Senate but neither my attention span nor my reasoning processes are optimum for the task. Nor is any other organic mind capable of such performance, particularly over an extended period of time on a continuous basis. No, the only solution is to place imperial sovereignty in the hands of a positronic computer. (*Sound like Delgao's psychocivilization?*) At lower levels there will be increasing latitude for aesthetic opinions, of course, and planetary governments can squabble to their hearts' content. but no individual -- or group of individuals... should have the power to make -- or not to make decisions completely beyond their competence..."

Aquino's Princess Leia tells Aquino's Darth later: "...I find it hard to believe that you have their best interests at heart. You are too far removed from them. Darth Vader; to you they are little more than cosmic gaming pieces which you manipulate not out of affection for them, but out of curiosity to see what you can do with them. Perhaps you are content in such a god-like posture. I would not be..."

Aquino's Han Solo says: "...What point is there to civilization, as you call it, if no one can move on impulse without causing chain-reactions of these dire consequences' you speak of?"

And Darth responds "...As for the constriction of free will, I of all individuals, am opposed to that. I have spent my lifetime strengthening my own will in an absolute sense -- not just as opposed to others. As for impulsive decisions, they were tolerable when they affected only a few words at a time -- altho (sic) you'd find it difficult to argue that they were beneficial even then. The price we pay for

---

<sup>78</sup> Aquino, Michael A., *A DARTH VADER FANTASY, "The Secret of the Sith"*, Famous Monsters #148, Warren magazines, October 1978.

commerce and communications across an entire galaxy is the loss of impulse in favor of reason. Bear in mind that the benefits are reciprocal. The decision you make may mean happiness and prosperity for worlds far beyond yours and their decisions may have a corresponding effect upon your home. If you can exist in an environment free from unnecessary misery you will have the freedom to exercise your will in ways that are truly creative. That is what I would prefer..."

Later in Aquino's story, Darth is apparently killed: " Amidst the wreckage Darth Vader staggered to his feet, then stiffened in shock as a laser-bolt from Leia Organa's blaster struck him full in the back. The force of its impact tore the mask from his head and the protective plates from his chest and Leia and Solo saw with a *thrill of horror* [emphasis added] that the humanoid features beneath were hideously decomposed and disfigured. Exposed to the air, they began to dissolve and gradually Darth Vader's entire body boiled away to nothingness..."

One notes "a thrill of horror" and the body disappearing when exposed to the air -- a metaphor for the cryptocracy perhaps?

Here's a chunk of O's journal I did not previously include. It might shed some light on the Psyops hypnotic techniques and the official government operations with hypno-programmed Americans:

Death's Door programming, though simplistic in its application, is as complex as the mind of a multiple personality disordered, mind-controlled slave.

As a mind-controlled slave, I had no conscious awareness of my personalities being switched... either from within, or through the deliberate triggering of others. Since I had no ability to logically reason, I had no actual appreciation of time whereby I could not think to notice time had passed "unaccounted for" while in another personality. I existed only in the moment, doing exactly what I was told...

Switching personalities was so absolute that the experiences of a particular personality resulted in particular perceptions. Ocular (eye) pressure changed visual acuity fields whereby depth perception changed. Senses and sensations changed according to exactly which part of the brain was being accessed to function. Dissociation equated to removing myself psychologically from my experience, whereby I 'dis-associated' from my body and the tortures it was enduring.

Prior-conditioning necessary for survival had taught me to retreat so deep into my mind that sensations of torture seemed to be far away as though it were through a long, dark tunnel. Compared to a personality who's non-threatened down-to-earth daily routine

required no such survival skills, the perceptual shift becomes more clearly understood. Therefore, switching personalities actually 'felt' (in retrospect) like a dimensional shift... which is the perceptual, psychological target of Death's Door programmers.

The CIA has numerous 'Near Death Trauma Centers' (NDTCs) for creating seemingly indestructible human slaves much the same way the military creates Delta Force soldiers. Mind-controlled slaves such as myself were programmed at such installations since the same high technology, equipment and methods were required. by attaching certain programming to 'natural' MPD survival phenomena, the skills could be enhanced. Slowed blood flow through deep, dissociative trance increased chances of survival ( See Laird Gutterson earlier).

Pain could be perceived as pleasure, which furthered the benefits of dissociative 'mind over matter' trance. Accelerated tissue healing could be hypnotically induced and further enhance by switching my personalities whereby I no longer was aware of the tortures the other personality(s) had endured. As a programmed mind controlled slave, I was led to believe that this shifting of personalities was a shifting of "dimensions" to escape the pain.

U.S. Army Lt. Colonel (then) Michael Aquino of the U.S. Defense Intelligence Agency's Psychological Warfare Section instilled Death's Door programming on me at a mind control research facility located on the Presidio Army Base in San Francisco, California. While I was being prepared for programming, I overheard Aquino talking with an understudy pertaining to Death's Door. Aquino's personal belief system and theories were included in the discussion.

He claimed to believe that death is in itself a changing of dimensions, whereby "Near Death" experiences would open doors to even more dimensions. Aquino told his associate that I had been so close to death on numerous occasions that "a wide path" had been worn in my mind towards that end.

'Therefore,' he explained, 'she has increased her ability to enter other dimensions en route to death.'

These 'dimensions' Aquino used as a means of hypnotically scrambling and compartmentalizing my memory of key events, government secrets, and identities. Anchored into the natural timelessness of MPD, I had been repeatedly conditioned to the idea of 'timeless' interdimensional' travel. Aquino claimed to believe that time existed only in the mind of man and could therefore be manipulated as easily as the mind. He told his colleague, "whether in principal or in theory, the results are the same since the concept of time is in itself abstract." This program anchored in timelessness

further reinforced my inability to comprehend that time had indeed passed and events occurred.

My scrambled memory of 'interdimensional' experiences would have remained unrecoverable had I not been deprogrammed to realize that my memories were experienced and photographically recorded right here in this dimension. My memory was simply compartmentalized in my own brain, therefore, logically it was accessible...

...At the Presidio mind control research facility, I was placed in a sensory deprivation chamber. Aquino programmed me with what I suspect were harmonics through the chamber's imbedded sound system. This produced a physical sensation of floating weightlessly through space while the sound seemed to be heard from *within* my head rather than through my ears. Aquino's suggestion that I was in a crematorium was readily accepted, and I could 'feel the flames' intensifying as my brain perceived the event virtually as reality.

Aquino played the role of my 'savior' by leading me 'safely' and 'painlessly' through death's door. I had no alternative but to follow his programming commands, and later carry out the ensuing orders he would embed deep within my autogenic/primitive mind. He hypnotically induced the sensation of my burning alive through affecting my histamine production, then 'shifted dimensions' in my mind in preparation for the orders that I would carry out 'as though my life depended upon it...'

Aquino slowly and hypnotically led me, "...You have deep within you the ability to slip through death's door... an ability encoded in you since the inception of time... since your inception and birth into this world of time... this physical world of matter... the only world where time matters. Only a visitor in this dimension, you have harnessed your ability to come and go as you please once you access the door encoded in your mind. Follow me now while I lead you on a journey through your mind right to the door that will set you free...

I must break the description of the "Death's Door" hypnotic process off at its beginning. This is a particularly dangerous process which could be harmful to those who have been similarly programmed, or adapted by experimenters to their own uses with destructive results. Suffice it to say this hypnotic metaphor fits well into Aquino's fiction, *The Secret of Sith*.

One grows curious about the connection between Aquino, Alexander and Bandler, two U.S. Army Psyops Colonels who say they don't know each other, and a CIA asset who have mastered the art of the metaphor -- *Star Wars* and others.



## THE SLAVES WHO BURIED THE PHARAOH

The CIA uses thought reform, programming, and indoctrination on its own employees. Patrick J. McGarvey, a veteran of fourteen years in U.S. intelligence service, described the cryptocracy's more ordinary indoctrination procedures in his book *CIA: The Myth and the Madness*. McGarvey said that his indoctrination was carried out in a classroom which was "right out of *The Manchurian Candidate*. It was a cavernous room not unlike a nineteenth century surgical exhibition pit."

That training, he said, consisted of "an admixture of common sense, insanity, old-time religion, and some of the weirdest lectures you can imagine." The most important result of this early training, as far as the CIA was concerned, McGarvey said, "was the attitudes they managed to inculcate" among the recruits.

"Many among us believed in the intelligence establishment simply because we were part of it. This attitude lingered for years among us, and today, in middle age, most of us still talk about the mind-bending job they did on us during the training period. I am convinced that this manipulation of attitudes had been responsible for keeping silent the many men who have since left the craft of intelligence. Because of my indoctrination, I still get a visceral twinge and have qualms of conscience about writing this."

McGarvey was referring to behavior modification when he said, "CIA has a wonderful informal system of rewards and punishments for the faithful and unfaithful."

Other fragments of information have leaked through the memory blocks and security oaths of former CIA employees. They can be found scattered throughout the "true confessions" literature of former spooks. They offer further glimpses of the CIA's interest in mind control -- but they are only glimpses.

"The most impressive part of this initial CIA indoctrination," writes Miles Copeland, "is the attitude toward loyalty, security, precision, attention to detail, and healthy suspicion that it manages to implant in the minds of the trainees... The fact is that this aspect of the indoctrination had been designed by some of the

nation's best psychologists, employing the most modern techniques of 'motivational research.' Certainly it achieves its purpose. The psychologists resent the insinuation that they are engaged in 'brainwashing,' arguing that the effect of what they have contributed to the training is exactly the opposite of brainwashing as practiced by the Chinese. Instead of conditioning a person so that he can accept only 'approved' ideas, it sharpens his instincts and critical faculties so that he can recognize specious political reasoning when he encounters it. Also the psychologists believe their course imparts a strong sense of mission, which is lacking in other branches of government."<sup>79</sup>

Despite the CIA psychologists' defense of their reverse "brainwashing," terrible damage has been suffered by the people who have matriculated from the CIA's mind-control projects. Those techniques employed for indoctrination and "loyalty training" of CIA personnel are but the beginning of a mind-control operation which is the most effective security device short of assassination.

Institutionalized secrecy came to America on the eve of World War II. From the beginning, psychology was both the most important external weapon against the Nazis and Japanese and the internal control mechanism for the war time government.

Psychological warfare was used in World War I, but by the beginning of World War II it had taken on a new dimension. Previously the inspiring, depressing, persuasive or misleading messages of propaganda had been delivered to target populations via the printed page or by word of mouth. In World War II, for the first time it became possible through radio to address the entire population of a country at the same time. The effects of propaganda, so magnified, became an important tool in warfare.

After the war, electronic propaganda became the staple weapon for waging the Cold War. Persuasion, argument, propaganda, and indoctrination went out over the airwaves not only to "enemy" populations but to our own civilian populations as well.

The full story of the OSS and the beginnings of the CIA was not known until 1976 when a government report, *The War Report of Strategic Services*, was declassified. In 1940 Gen. William J. Donovan was appointed President Franklin D Roosevelt's special emissary. Upon his return from a Mediterranean tour he reported that "neither America nor Britain is fighting the new and important type of war on more than the smallest scale. Our defenses against political and psychological warfare are feeble, and even such gestures as have been made toward carrying the fight to the enemy are pitifully inadequate." Donovan urged the President to prepare for combat in the field of irregular and unorthodox warfare, as well as in the orthodox military areas."<sup>80</sup>

---

<sup>79</sup> Miles Copeland. *Beyond Cloak and Dagger: Inside the CIA* (New York, Simon & Schuster, 1975)

Five months before the Japanese attacked Pearl Harbor, President Roosevelt added one more new bureau to the New Deal Bureaucracy. It was tagged COI, perhaps a fitting acronym for the publicity-shy office of the Coordinator of Information. Its leader was, of course, William J. Donovan.

Donovan has been called "a queer figure who comes off three-quarters Machiavelli and one-quarter boy." According to Anthony Cave Brown, he recruited "Communists to kill Krauts. He feared and distrusted Communists in places where they counted. In Italy and France, he could never quite make up his mind what to do politically; and, since political belief was the clandestine's primary motive, his policies often failed and, even when they succeeded, led to interminable muddles. Likeable, even admirable on occasions, he was in fact an Elizabethan man, swaggering about capitals in beautiful cord, displaying a fine calf for a riding boot, but forever dependent really upon the British for the finesse which that secret struggle demanded."<sup>81</sup>

The British Secret Intelligence Service had developed espionage and intelligence to a fine art during World War I. They were already masters of sabotage, guerrilla warfare, political warfare, deception, crypto-analysis, irregular maritime warfare, technical intelligence, and secret intelligence when World War II began. During that war they took intelligence into the vanguard of psychology, using drugs and hypnosis to program couriers to carry secret messages locked behind posthypnotic blocks.

The British were the first to employ a financing device known as the "Secret Vote," or unvouchered funds. This was money made available without recourse to legislation and accounted for only by personal signature. As Anthony Cave Brown observed, "plainly, almost unlimited opportunity for fraud existed in this arrangement."<sup>82</sup>

Donovan's COI copied the unvouchered funds financing idea, as well as many others, from the British. He put great emphasis on the psychological warfare arm of intelligence. The British had also emphasized "psy-war," but Donovan promoted it to the degree that he made the psychological warfare division the central control organ of the entire espionage agency.

In 1941, after the birth of COI, President Roosevelt asked Donovan to make specific proposals for the implementation of his ideas for psychological warfare and the development of an intelligence plan. Donovan submitted to the White House a paper entitled "Memorandum of Establishment of Services of Strategic Information." In it he clarified his idea of the relationship of information to strategic planning in total war.

---

<sup>80</sup> Anthony Cave Brown, ed., *The Secret War Report of the OSS* (New York, Berkeley, 1976)

<sup>81</sup> *Ibid.*

<sup>82</sup> *Ibid.*

Pointing out the diplomatic and defense inadequacies of the then existing intelligence organization, Donovan said, "It is essential that we set up a central enemy intelligence organization which would itself collect either directly or through existing departments of government, at home and abroad, pertinent information." Such information and data should be analyzed and interpreted by applying the experience of "specialized, trained research officials in the related scientific fields (including technological, economic, financial and psychological scholars)." He emphasized that "there is another element in modern warfare, and that is the psychological attack against the moral and spiritual defenses of a nation."<sup>83</sup>

In June, 1942, the office of Strategic Service (OSS) was created to replace COI. Some time passed between the formation of the OSS and the issuance of its charter. The delay was created by Donovan's controversial idea that the psychological warfare unit should be in charge of the entire intelligence operation. The intellectuals hovering around OSS argued with the Joint War Plans Committee about what exactly psychological warfare was, and who should direct it in the name of the United States of America.

Finally a definition was agreed upon. The official definition of psychological warfare read: "...it is the coordination and use of all means, including moral and physical by which the end is to be attained – other than those of recognized military operations, but including the psychological exploitation of the result of those recognized military actions – which tend to destroy the will of the enemy to achieve victory and to damage his political or economic capacity to do so; which tend to deprive the enemy of the support, assistance, or sympathy of his allies or associates or of neutrals, or to prevent his acquisition of such support, assistance, or sympathy; or which tend to create, maintain or increase the will to victory of our own people and allies and to acquire, maintain, or increase the support, assistance and sympathy of neutrals."

And, as Donovan had wished, the Joint Chiefs of Staff decreed that "All plans for projects to be undertaken by the office of Strategic Services will be submitted to the Joint U.S. Chiefs of Staff through the Joint Psychological Warfare Committee for approval. The Joint Psychological Warfare Committee will refer such papers as it deems necessary to the Joint Staff Planners (JSP) prior to submission to the Joint U.S. Chiefs of Staff. The Joint Psychological Warfare Committee will take final action on all internal administrative plans pertaining to the Office of Strategic Services."<sup>84</sup>

The lifespan of OSS was less than three years. During that short period of time it developed psychological warfare into an effective weapon against the minds of civilian and military populations foreign and domestic alike. To wage effective

---

<sup>83</sup> *Ibid.*  
<sup>84</sup> *Ibid.*

psychological war the OSS needed background information on United States citizens. Thus the burglary of private files was sanctioned. The pattern of extra-constitutional clandestine activities within the United States, which came to the public's attention with Watergate, the Iran/Contra Affair and so on, began in 1945 when the OSS broke into the office of *Amerasia* magazine, an alleged Communist publication. The OSS illegal entry was followed by a legal FBI search three months later, but no evidence that *Amerasia* was engaged in subversive activity was ever found.

Throughout the war Donovan never lost sight of the fact that while OSS was a wartime expedient, it was also an experiment to determine the nature of a peacetime U.S. intelligence structure in the postwar period. Eventually OSS did provide the framework for the peacetime intelligence service through which the United States supposedly continued the bitter moral and territorial struggle against the Communists.

By a small, humorous twist of fate, it was on October 31, 1944 – Halloween the traditional day for spooks and dirty tricks -- when President Roosevelt once again turned to Donovan for his views. According to the official story, the president asked Donovan to develop a plan for the organization of an intelligence service which would function after the cessation of hostilities. In November, Donovan submitted to the President his proposal for the creation of a "central intelligence service." In his memorandum, Donovan proposed liquidation of OSS once the wartime necessity had ceased. He was anxious, however, to preserve the intelligence functions developed by OSS, so he repeated his original COI concept of a central authority, reporting directly to the President, which would collect and analyze intelligence material required for planning and implementation of national policy and strategy.

"Though in the midst of war," Donovan wrote, "we are also in a period of transition which, before we are aware, will take us into the tumult of rehabilitation. An adequate and orderly intelligence system will contribute to informed decisions. We have now in the Government the trained and specialized personnel needed for the task. This talent should not be dispersed."<sup>85</sup>

On September 20, 1945, OSS was officially terminated by Executive Order 9620. "Research and Analysis" functions and "Foreign Nationals Recruiting" were transferred to the Department of State. The remainder of the OSS functions were transferred to the Department of War. That same day, the new President Harry S. Truman sent a letter to Donovan informing him of the executive order to close OSS, and thanking him for his outstanding service.

The President wrote, in part, "You may well find satisfaction in the achievements of the Office and take pride in your own contribution to them. These are in

---

<sup>85</sup> *Ibid.*

themselves large rewards. Great additional reward for your efforts should lie in the knowledge that the peacetime intelligence services of the Government are being erected on the foundation of the facilities and resources mobilized through the Office of Strategic Services during the war."

Hidden behind the President's compliment was the fact that Donovan was shut out from the formation of the CIA because of a major character flaw: he had a strong dislike of organization. Whether Donovan was really the right man for the job of chief of America's first intelligence service is debatable. Success in covert operations depends upon an efficient bureaucracy and good judgment in authority. In many cases Donovan displayed neither. At the heart he was an activist who did not even like the personalities of conventional administrators. Stewart Alsop said that he ran OSS "like a country editor."

"In every respect, OSS was Donovan's child," OSS historian R. Harris Smith wrote. "He nourished the agency in its infancy, and it bore the stamp of his personality."<sup>86</sup> That stamp carried over into the new peacetime intelligence agency, the CIA, the first in American history.

But while Donovan was the grandfather of the cryptocracy, its techniques and much of the rationale behind them were the work of the Dulles brothers. The following review of the Dulles' rise to prominence shows the manner in which cryptocrats form their liaisons.

On the evening of the day South Korea was invaded, President Truman had hastily returned to Washington from his home in Independence, Missouri. He gathered his principal advisors together at the White House to discuss the emergency. Unanimously, his advisors recognized the gravity of the situation and agreed with Gen. Omar Bradley, then the head of the Chiefs of Staff, who said the intelligence reports indicated Russia was "not yet ready for war, but in Korea they are obviously testing us, and the line ought to be drawn now."

Quickly, Truman ordered Gen. Douglas MacArthur to provide military protection for the delivery of arms to the South Koreans and to evacuate American dependents. He instructed the military chiefs "to prepare the necessary orders for the eventual use of American units." On the following day he said he was convinced that "the Republic of Korea needed help at once if it was not to be overrun."

Truman was given CIA reports which indicated that Korea was a repetition, on a larger scale, of the Berlin blockade. The intelligence reports further indicated that North Korean Communists would eventually prove to be a threat to Japan, Formosa, and the American base on Okinawa. It was the first time the "domino theory" was used.

---

<sup>86</sup> R. Harris Smith, *OSS: The Secret History of America's First Central Intelligence Agency* (Berkeley, University of California Press, 1972)

The President, acting on the advice of the CIA, ordered MacArthur to give immediate naval and air support to the South Korean army, without allowing him to order his troops to cross the Thirty-eighth Parallel. (This act of drawing a political rather than a strategic boundary set the precedent in Asia for the use of the same tactic later in the Vietnam campaign.)

MacArthur's zeal and military instinct disposed him to blindness concerning such arbitrary boundaries. His expressed urge to attack China with nuclear weapons eventually led to his unprecedented dismissal by Truman. MacArthur may have had the knowledge and the skill to win the Korean conflict unconditionally, but such a military victory in the light of history did not fit into the long-range war of attrition the cryptocracy supported as a tool of the military-industrial complex, against the Communists.

Domestic politics also served to compound the power of the new cryptocracy, which was then cutting its teeth in Southeast Asia. In 1952, when Dwight D. Eisenhower was elected President of the United States, he appointed John Foster Dulles as Secretary of State, and allowed Foster's brother Allen, who was then the CIA's "deputy director for plans" -- the clandestine operations branch of CIA -- to take over directorship of the CIA one year later.

According to Townsend Hoopes, who served in both the Truman and Johnson administrations, though the seeds were sown by Truman, it was under the Eisenhower administration that the Cold War was "pervasively institutionalized in the United States." He described the Cold War's chief manifestations as "...a strident moralism, a self-righteous and often apocalyptic rhetoric, a determined effort to ring the Soviet Union and China with anti-Communist military alliances, a dramatic proliferation of American overseas military bases, and a rising flow of the American military equipment for foreign armies accompanied by American officers and men to provide training and advice. The posture of imperative, total confrontation," he said "thus came to full development during the Eisenhower period. By 1960, the United States government was not only positioned and determined to restrain the major Communist powers, but also determined -- through an implicit extension of logic and the inertial momentum generated by a large and powerful military/foreign affairs bureaucracy -- to control the pace and character of political change everywhere." <sup>87</sup>

In the chill of the Cold War, few Americans remembered that John Foster Dulles had been pro-Nazi before Hitler invaded Poland. No one thought, either, to question the fact that while John Foster Dulles was running the State Department, and therefore dealing with friendly governments, his brother Allen was running the CIA, which he once described as a State Department for dealing with unfriendly governments. No one seemed at all disturbed by the Dulles

---

<sup>87</sup>

Townsend Hoopes, *The Devil and John Foster Dulles* (Boston, Atlantic Monthly Press, 1973)

Dynasty, and only a handful of people realized to what extent the Dulles brothers held power in the Eisenhower administration.

Lieutenant Colonel L. Fletcher Prouty (USAF) was the Pentagon's chief briefing officer assigned to the White House during the Eisenhower administration. He worked closely with Allen Dulles in Coordinating military support for the various clandestine political operations undertaken by the CIA. He knew the intimate working arrangements of the Dulles brothers and of the cryptocracy they were building.

In his book *The Secret Team*, Colonel Prouty gave a glimpse of how the Dulles brothers "worked" the President: "That evening, before his usual tennis game on his backyard court, Allen Dulles dropped by his brother's secluded house just off Massachusetts Avenue and discussed the operation [which involved an amphibious plane and Polish pilot to be run under a CIA business cover]. Foster agreed that Eisenhower would go along with it. He walked over to the wall lined with bookshelves and picked up the White House telephone which connected directly with the White House operator. All he said was 'Is the man busy?'

Foster Dulles opened with, 'Boss, how did you do at Burning Tree today?... Well, six holes is better than nothing... Yes, I've been talking here with Allen. He has a proposal he wants to clear with you. He feels it is very important, and it will lift the morale of Frank's boys. [Frank Wisner was then Director of Intelligence Clandestine Operations]. You know, since Korea and Guatemala you haven't had them doing much. Will you see him tomorrow morning? Fine. How's Marnie? O.K. boss, I'll speak to Allen... 9:30... Thank you – goodnight!'

"There was not much left to do," Prouty said, "the flight would be scheduled."

A relevant analysis of "the brother act" is provided by David Wise and Thomas Ross. "[The Dulles brothers] embodied the dualism – and indeed the moral dilemma – of United States foreign policy since World War II... Foster Dulles reflected the American ethic; the world as we should like it to be. While he took this public position, his brother was free to deal with nastier realities, to overturn governments and to engage in backstage political maneuvers all over the globe with the CIA's almost unlimited funds...

"This is not to say that the same two-sided foreign policy would never have evolved had the director of the CIA and the Secretary of State not been brothers. It very likely would have. But the natural friction between the objective and methods of the diplomats and the 'spooks,' between the State Department and the CIA, was to an extent reduced because of the Dulles brothers. There was consequently less of a check and balance."<sup>88</sup>

---

<sup>88</sup> David Wise and Thomas Ross, *The Invisible Government*, 5th ed. (New York, Random House, 1964)



John Foster and Allen Dulles had worked together before coming to government. Foster was the star attorney of the international law firm of Sullivan and Cromwell. He persuaded his partners to take Allen in "to soften up customers," which Allen had a great gift for. Eventually, Sullivan and Cromwell sent Allen to Berlin to negotiate private affairs with the German industrial barons before the war. After the war broke out, he was sent to Switzerland with OSS, where, under cover, he used his former business contacts inside Germany to supply information for his many spectacular single-handed intelligence coups against the Axis.

Though Allen Dulles was more gifted as a diplomat than his elder brother Foster, it was Foster who can be considered the mastermind of the Cold War Aberration. Foster played upon the fear of Communists and implemented the world-policing foreign policy of the Pax Americana which eventually led to our involvement in Vietnam. It was his Cold War Campaign at home that made citizens tremble in fear of Communist attack and their children crouch under school desks in atomic air-raid drills. It was John Foster Dulles, in the company of men like Senator Joe McCarthy and Richard Nixon, who presented the specter of the Communist menace to the American public. They convinced the nation that the communists were about to unleash a global war and even a direct nuclear attack upon the United States.

During Eisenhower's 1952 campaign for the presidency he promised to "peacefully bring about freedom for the captive nations." John Foster Dulles later repeated Eisenhower's promise, omitting, however, the word "peacefully."

Lest we judge John Foster Dulles unfairly by the standards of our own time, it must be said that, to his mind, there must have *seemed* to have been good reasons for invoking the Communist threat. As Senator Frank Church's (1976) Senate Committee to Study Governmental Operations said: "the extent to which the urgency of the Communist threat had become a shared perception is difficult to appreciate."

More likely, there was another, more insidious reason for the Cold War: the economy. A glance at a historical graph of the American business cycle will show that since the Civil War, economic depressions tend to precede and follow U.S. wars. Dulles' generation came to power in World War II after having suffered the longest and deepest depression in American history. It could be considered natural for them to overreact to the recessions of 1945-46 and 1949-50 by fomenting war -- hot or cold -- to feed the military-industrial base of the economy. The research and development of death-dealing technology created the need for unprecedented secrecy. The instrument of keeping those secrets was the cryptocracy.

The Cold War Strategy proved to be economically successful. Without having to risk a full-scale nuclear war and simply by *arming* the world against communism through weapons marketing, propaganda, and the psychological warfare of the Cold War scheme, the United States achieved a capital goods boom unequalled in modern history. In the most simple terms, arms constituted the bulk of United States exports from World War Two to the present and figured as the single most important industry which maintained the United States trade balance.

The central core of the Dulles brothers' American containment policy grew from the CIA's covert operations and propaganda efforts. The mood of those times is reflected in a top-secret report submitted by the second Hoover Commission to President Eisenhower in September, 1954, and made public by former CIA man Harry Rositzke. The report urged the United States to make its "...aggressive covert psychological, political, and paramilitary organization more effective, more unique, and if necessary, more ruthless than that employed by the enemy... We are facing an implacable enemy whose avowed objective is world domination by whatever means and at whatever cost. There are no rules in such a game... We... must learn to subvert, sabotage, and destroy our enemies by more clever, more sophisticated, and more effective methods than those used against us..."

According to Rositzke "The next year a National Security Council directive reaffirmed the Executive's commitment to covert operations. It instructed the CIA to continue creating problems for 'International Communism,' to reduce its strength and its control worldwide, and to 'increase the capacity and the will of peoples and nations to resist International Communism. It specifically reaffirmed CIA's authority to develop underground resistance and facilitate covert and guerrilla operations."<sup>80</sup>

Although the Cold War is generally said to date from 1948, with the Berlin Blockade and the Greek civil war, John Foster Dulles contributed to its architecture before he came to office in 1953. He epitomized the fearful gestalt of his generation, took hold of the floundering Cold War strategy, and molded it with his personality. He was fond of quoting Alexander Hamilton, who wrote in the *Federalist Papers*, "safety from external danger is the most powerful director of national conduct." Hamilton's statement, when taken at face value, seems quite innocent. But in the context of John Foster Dulles' materialistic and puritan upbringing, it is not difficult to see how he construed it to mean something quite different than Hamilton intended. Hamilton's thoughts gave Dulles the moral rationale to try to motivate national political, industrial, and economic conduct by posing an overwhelming external danger — the threat of a nuclear war initiated by the "international Communist conspiracy."

If, at the end of World War II, the growth of our economy, still the strongest and richest in the world, did depend upon the military-industrial complex for

---

<sup>80</sup> Harry Rositzke, *CIA's Secret Operations* (New York, Reader's Digest Press, 1977)

sustenance, then Dulles' Cold War saved the U.S. from certain recession. Without the *threat* of communism, what could the free world have armed against? And if the health of the U.S. economy *continues* to depend on that merger of military and industrial interests, then what threat will come to replace the cold war?

In his farewell address to the nation in 1960, President Eisenhower issued his famous warning about the military-industrial complex:

**Our military organization today bears little relation to that known of any of my predecessors in peacetime -- or, indeed, by fighting men of World War II or Korea. Until the latest of our world conflicts, the United States had no armaments industry. We annually spend on military security alone more than the net income of all United States corporations.**

**"Now this conjunction of an immense military establishment and a large arms industry is new in the American experience. The total influence -- economic, political, even spiritual -- is felt in every city, every state house, every office of the federal government. We recognize the imperative need for this development. Yet we must fail to comprehend its grave implications. In the councils of government we must guard against the acquisition of unwarranted influence, whether sought or unsought, by the military-industrial complex. The potential for the disastrous rise of misplaced power exists and will persist.**

**We must never let the weight of this combination endanger our liberties or democratic processes. We should take nothing for granted.**

And Eisenhower accurately predicted the course of the history of mind control research:

**The prospect of domination of the nation's scholars by federal employment, project allocations, and the power of money is ever present and is gravely to be regarded.**

**Yet, in holding scientific research and discovery in respect, as we should, we must be alert to the equal and opposite danger that public policy could itself become the captive of a scientific-technological elite."**

The Cold War *was* World War III -- a war waged, largely, against the human mind. A war waged largely with words -- the most powerful tool of behavior modification.

In the beginning, the men who had won World War II with advanced weaponry were less artful in the use of the new psychological warfare. As the Cold War

escalated propaganda was followed by sabotage, assassinations, "paramilitary" covert operations, and limited "police actions" before the arsenal for waging invisible war (IW) was developed.

America had traditionally been a free and open society. But after the war, U.S. leaders held in their hands an awesome technological superiority. While being the love object of government, the new technologies, especially nuclear energy, made the leaders fearful of losing their monopoly. That fear gave rise to the belief that new secret agencies and operations were needed to guard against technological thefts by foreign governments. the Cold War was a "secret" war in more ways than one.

Psychological warfare, originally waged only against "enemy" countries, eventually came home. Nazi war criminals, experts in the black crafts of mind control, were allowed to immigrate to the U.S. under Project Paperclip. Most were employed by the U.S. cryptocracy. With the Nazi's in place, the psychological war began against the American people. It was waged against beliefs and free thought, by a cryptocracy which is still supported by all the power of the federal government, but which operates outside the chain of governmental command. Often it takes the form of "privatized" government, with the controls appearing to be vested in the ordinary business community. In any event, behind it is a secret bureaucracy become paranoid -- a cryptocracy mad with world power whose most powerful weapons are aimed at the human mind.

Although the Central Intelligence Agency has long been the convenient symbol for all those who have committed atrocities in the name of national security, the secret bureaucracy, the cryptocracy, does *not* consist solely of the CIA. It is as well a vast network of alliances between *individuals* in a number of government agencies normally thought to be outside the intelligence field.

Since the cryptocracy violates every constitutional principle as a matter of course, and commits every crime known to man in the interest of "national security," it cannot entirely rely on the patriotism of its agents to keep its secrets. Therefore, no single individual is told more than he has a "need to know."

The cryptocracy is a brotherhood reminiscent of the ancient secret societies, with rites of initiation and indoctrination programs to develop in its loyal membership the special understanding of its mysteries. It has secret codes and oaths of silence which reinforce the sense of elitism necessary for the maintenance of its strict loyalty. It is automated, organized in the mode of a computer, where all have access to general knowledge and the most obvious aims and goals, but where the individual is isolated by tribal rituals and compartmentalization.

It is a technocratic organization without ideology, loyal only to an unspoken, expedient, and undefined patriotism. Its recruits are schooled in the writings of

Niccolo Machiavelli. Its members are anonymous. Its funds are secret. Its operational history is a secret. Even its goals are secret. It is a degenerative disease of the body politic which has grown rampant, spreading so invisibly that after nearly four decades its existence is known only to a handful of "decision makers."

The cryptocracy is designed to function like a machine. It also has the feelings of a machine -- none at all. but, unlike a machine, it does have ambition. To it, human beings are so much cheap hardware who perform certain set functions which produce certain predetermined results. They are valued relative to cost and efficiency. The cryptocracy is the perfect cybernetic organism -- pure logic at the planning level -- nothing but automatic response in the field.

If a prospective agent cannot be recruited by an appeal to patriotism, he is bribed. If he cannot be bribed, he is blackmailed. If he refuses to be blackmailed, he is "programmed." If all these fail, he is killed, for it must not be known that he had ever been approached -- so important is "national security."

It is sometimes hard to determine whether the cryptocracy is working for or against the interests of the U.S. President, to whom its constituent agencies are supposed to be accountable. Many of its crimes, now a matter of public record, would indicate that it has often worked against the President. It *has*, we know, worked against the U.S. Constitution and the American people. It has needlessly caused the death of innocent people who were working for it, just as it has tortured and murdered those who have stood in its way. Documented atrocities and criminal blunders have been revealed by congressional investigations. Few have been brought to trial. Of those convicted only a paltry amount of time has been served. Little congressional, judicial, or executive action has been taken to limit its power or ferret out its leaders. Figureheads have been changed, but the *organization* and the National Security Act which has bred this cancer remains in essence *unchanged* -- *unchallenged* by the press, *unnoticed* by the people.

The cryptocracy serves big business and spends a good deal of time and energy supplying American corporations with industrial intelligence. These favors, offered only to those companies friendly to the cryptocracy, may be repaid by such things as political campaign contributions to candidates who are either sympathetic to or compromised by favors from the cryptocracy. In the past the cryptocracy has supported both foreign and domestic politicians with such campaign contributions.

The "old boy network" of retired cryptocrats working within major corporations plays an important role in the cryptocracy's international influence. Secret funds are shunted not only from one agency of government to another, but also from agency to corporation and then, under cover of the corporation's legal business activities, throughout the world, wherever expediency dictates.

Through its authorized functions, the cryptocracy controls the United States government. It feeds the executive branch "intelligence reports" which are often slanted and sometimes falsified, so that the policy decisions which result will be those which fit the cryptocracy's game plan.

Like a fifteenth century Machiavellian principedom that has been computerized and automated, the cryptocracy has systematically manipulated the American consciousness. By justifying its existence by citing an exaggerated danger from communism, it has justified its own totalitarianism by convincing key politicians that fire must be fought with fire. The practices of the cryptocracy, once officially sanctioned only in operations outside the U.S., have become internalized. Those practices have included spying, stealing blackmail, and murder, even within the borders of the country it is supposed to protect and defend.

There was nothing hypocritical about the KGB's employment of totalitarian, police-state tactics. The Soviet equivalent of the CIA, the KGB, was an extension of the Soviet political system, which was totalitarian. Neither was there anything hypocritical about the Chinese use of "brainwashing" on American POWs in Korea. The Chinese have "brainwashed" three and a half million of their own people though generally they used techniques less sophisticated than mind control, but no less drastic than starvation, sleep interruption, and isolation. But the U.S. cryptocracy is the ultimate hypocrisy, subversive to its own government's democratic structure. It operates with methods which are not permitted in most democracies and certainly not permitted by the Constitution of the United States.

In war, a successful campaign greatly depends upon the element of surprise. Since the beginning of human disputes warriors have found it desirable to keep their strengths and weaknesses concealed.

The use of new technology has been both the strength and the surprise which so often has determined the outcome of war. The first elephant to be outfitted with spikes and used in battle was as great a terror to the bow-and-arrow warrior as the atomic bomb was to the Japanese.

The cryptocracy has long known the only way it can maintain the upper hand in the global power game is to stay in the vanguard of technology. To that end it has employed all the research and development the federal government can buy.

Since World War II the cryptocracy has used electronic technology to manipulate foreign peoples as well as the American people through a campaign of carefully planned misinformation, disinformation, and propaganda. The cryptocracy's existence depends upon such manipulation of public belief. Since it cannot openly argue its cause, it relies upon persuasion and indoctrination to accomplish its goals and win support for its ends.

The existence of the cryptocracy also depends upon absolute secrecy. Without it, it is powerless. At present the cryptocracy is trying to control the encryption of data on the proposed "information highway." The cryptocracy is trying to arrange things ( supposedly in the interest of national security) so that it will make it easy to wiretap the electronic mail and computer communications between private citizens and businesses alike. The scheme is to ramrod a system which allows no other encryption than the version developed in secret by the National Security Agency. The adoption of this plan would also make it impossible for private citizens to encrypt their own communications and thus not be able to protect themselves against eavesdropping. What appears to be only an attempt to control information at its source – is actually an attempt to curb freedom of speech. The ultimate target, of course, is the human mind.

It was the CIA which instigated and directed the initial mind control research, and with an invisible hand, kept each group of scientists isolated from the other. Each group researching mind control was kept apart from other groups conducting simultaneous interfacing experiments, so that no one except the Agency would be able to put all the pieces of the puzzle together.

The basis for mind-control techniques already existed in scientific literature, but in a fragmented, incomplete, and unassimilated state. The cryptocracy enlisted the aid of scientists who then developed these fragments into usable techniques. These scientists worked independently, each on only one small part of the overall plan. And, by and large they were ignorant of the intended use of the final product of their research.

Operation Mind Control was not the plan of a mere cult of intelligence; it did not stop at intelligence gathering, but went on to instigate active operations on its own. Those conspiracies against freedom which were revealed by the investigations into Watergate, the intelligence community and multinational corporations are minor compared to the conspiracy of mind control which has developed in this country. Although the first victims of Operation Mind Control were, perhaps, especially suitable personality types for such use, with the advances being made in the psycho-sciences all but a few of us may eventually be victimized.

The power of mind control resides in its use as a superior security technique; as such it is almost as foolproof as that employed by the great Pharaoh of Egypt, who, carried to his final resting place by loyal slaves, had those same slaves killed and buried along with him so that all knowledge of access to the tomb would remain secure for centuries. Mind control arranges that "slaves" of the intelligence community – witnesses, couriers, and assassins – are "protected" from their own memories and guilt by amnesia. These "slaves" may be left alive, but the knowledge they possess is buried deep within the tomb of their own mind by techniques which can keep the truth hidden even from those who have

witnessed it . It is the ultimate debriefing, the final security measure short of assassination.

The conspiracy of mind control veils the secret of all secrets. It hides the cabal which possesses its power, so even if the CIA and the other intelligence agencies were closed down tomorrow, the cryptocracy would continue to function. For as with the Mafia, "once you are a member, you're a member for life." The power of mind control, and ultimately of the Cryptocracy that uses it, resides with those who have culled the fruits of psycho-science since the late 1930s; they now possess the mature body of knowledge upon which the coercive art is built.

To review the labyrinth of events: Out of the natural fear of technology grew an unnatural reliance on secrecy. Secrecy led to covert control and produced a well-organized institution of national security. Institutionalized secrecy directed covert research and produced Operation Mind Control, the ultimate technology of secrecy and control.







## BRAVE NEW WORLD IN A SKINNER BOX

The cryptocracy's search for reliable mind control methods was one of the most far-reaching secret projects ever undertaken. In addition to research and development in drugs and hypnosis, CIA funds and cryptocracy guidance gave impetus to a number of behavior modification projects carried out in federal prisons and mental institutions. Most of the projects were arranged secretly so recipients of the funds would have no way of knowing that the CIA was backing the research.

Even if they *had* known of the CIA's involvement, their interest in behavior modification probably would not have been dampened. Previously called conditioned reflex therapy, behavior modification, in the sixties and seventies, was becoming the most popular tool of psycho science since Sigmund Freud asked his first patient to lie down on the couch.

Behavior modification is based on conditioning, but conditioning is a big word for a simple form of learning in which a reaction is evoked by an outside action. The reaction is called a response; the outside action is called a stimulus.

In 1927 Pavlov won the Nobel Prize for his discovery of a method of making dogs salivate at the ringing of a bell. Salivating dogs were not much good to anyone, and it was not for making dogs drool that Pavlov was so honored. He was honored with the world's most prestigious award for making dogs drool *on cue*. He called his process "conditioning". The dogs' involuntary response, he called a "reflex." Pavlov's discoveries provided the breakthrough which behavioral science needed to begin to control the human mind.

Pavlov had begun in 1906 by seeking a simple model of the activity of the brain. He decided the salivary reflex in dogs could be just such a model, so he raided the dog pound and cut holes in the animals' cheeks to implant measuring devices for the flow of saliva.

By regularly ringing a bell just before feeding the dogs he found that the stimulus -- the sound of the bell -- intrinsically unrelated to food, began to evoke the

salivation initially observed when the dogs were eating. His patient studies revealed that the quality, rate, and frequency of salivation changed depending upon the quality, rate, and frequency of the stimuli.

Pavlov's experiments with dogs have been repeated numerous times by different scientists with the same results. Science now agrees that when a hungry dog is given a piece of meat immediately after a bell rings, and when this procedure is repeated a number of times the bell alone will produce the flow of saliva almost as if the bell and not the meat were activating the glands. When the bell rings, not only will a properly conditioned dog salivate but his ears will stand up, he'll turn towards the food source, and even make anticipatory chewing movements. Conditioned reflexes in dogs, however, are a long way from the conditioning of *volitional* thinking in humans.

But Pavlov established the groundwork by which anyone's emotional stability (Pavlov called it "perpetual equilibration") and sanity could be reliably balanced or *unbalanced*. To that end the Soviets and later the People's Republic of China, employed Pavlov's new science for the creation of the totalitarian state.

Marshall McLuhan, writing in *War and Peace in The Global Village*, in 1968 called our attention to an important element of Pavlov's experiment which has been largely overlooked:

"...The work of Pavlov, in revealing the fact of conditioned reflexes, had a totally different meaning for the Russian and the European. Pavlov had been unable to condition his dogs in his experiments until he had completely conditioned the laboratory environments in which they lived. Until precise thermal and auditory controls were introduced into the laboratories the conditioning did not occur. The bell did not elicit salivation. To the European it was not the conditioning of the laboratories but the fact of automatic salivation that created the excitement. Indeed, the ordinary psychological effect makes no mention of the laboratory conditioning. The Westerner lives in a man-made environment, mechanically conditioned and time structured...

"In the new electronic environment," McLuhan said, "we end the Pavlovian laboratory of mechanical civilization and are primitive once more. Living in a man-made environment, extremely specialized and fragmented, the Westerner was as oblivious of his environment as the Russian is oblivious of his tribal environment, which is neither mechanical nor man-made. Western mechanism has not penetrated the Russian psyche, any more than it has the Japanese psyche. Therefore, to the Russian, the exciting event in Pavlov's experiment was not the conditioning of the dogs but of the laboratories. But to the Westerner, the revelation that he was a preconditioned robot, thanks to his own ingenuity and machinations, was a most disagreeable discovery..."

"...Pavlov was the man who tipped us off that our old mechanical environment and its consequences were yielding to a totally new environment created by an antithetic technology," McLuhan said. "The portentous discovery he made was that any controlled environment, any man-made environment, is a conditioner that creates non-perceptive somnambulists..."<sup>90</sup>

While the general public in the West may continue to associate behavior modification with Pavlov's conditioning of dogs, the science is actually an ancient one. In its modern form it has its roots in the works of Descartes who, in 1664, put forward the idea that every activity of an organism is the reaction to an external stimulus. Experimental studies to test Descartes' idea did not begin until several centuries later. Then, simultaneously experimentation began in a number of different countries.

At the same time Pavlov was experimenting with dogs in Russia, John B. Watson was experimenting with humans in the United States. Watson was the founder of the behaviorist school of psychology in the 1920s. His most notorious accomplishment was his series of experiments on an eleven-month-old infant known to history as Little Albert. (Little Albert was Watson's own child, who committed suicide as a young adult.)

Watson showed Little Albert a white rat and the child reacted naturally and tried to pet and cuddle the animal. After Albert had established a playful rapport with the rat, Watson began to adversely condition the lad. Each time the rat would come into Albert's view, Watson would beat the floor with a steel bar and produce a deafening sound. Quite naturally, whenever Albert heard the sound he would jump with fright. Eventually Albert associated the loud sound with the white rat and became frightened of it. Every time the rat came into his view he would begin to cry.

Albert became so adversely conditioned to the rat that he would exhibit fear whenever any small animal came into his view. He became so conditioned that he reacted with equal fear to rabbits, dogs, and a sealskin coat -- in short, to anything with fur.

Quite proudly Dr. Watson exclaimed, "Give me the baby, and I'll make it climb and use its hands in constructing buildings of stone or wood... I'll make it a thief, a gunman or a dope fiend. The possibilities of shaping in any direction are almost endless. Even gross differences in anatomical structure limits are far less than you may think... Make him a deaf mute, and I will still build you a Helen Keller... Men are built, not born."<sup>91</sup>

---

<sup>90</sup> Marshall McLuhan, *War and Peace In The Global Village*, Bantam Books, New York, 1968, p. 66-67.

<sup>91</sup> John B. Watson, *Behaviorism*, rev. ed. (New York, Norton, 1930)

Picking up where Watson left off new evidence suggests that the cryptocracy began recruiting abused and abandoned children to develop as programmed somnambulists.

Watson saw things, as Pavlov did, in physical and chemical terms. He was not interested in anything beyond overt and observable behavior. And Watson was only the first in a long line of American psycho-scientists who were to take the mechanistic path to control of the mind.

Pavlov and Watson's classical conditioning did not, however, go far in producing a reliable science of mind-control. In the late thirties Harvard psychologist Burrhus Frederick Skinner discovered new principles of conditioning which allowed more complete control.

Skinner came up with what he called *operant conditioning*. It was based on the idea that reinforcement (the Repetition of either a positive or a negative response to an action) was at the root of all learned behavior. The distinction between *classical* and *operant* conditioning was made only because different techniques were used to elicit the responses. In essence, the effects of either kind of conditioning were the same.

The three most common methods of modern behavior therapy are operant conditioning, aversion therapy, and desensitization.

Operant conditioning is the reinforcement of certain behavior by reward (usually food), often accompanied by simultaneous sound or light stimulation. Reinforcement is contingent upon the occurrence of the response, and the reinforcing mechanisms are often built into the environment. When rats are used as subjects, the device to be operated is a bar which, when depressed, delivers the reward of food or water. In this situation the behavior which is reinforced is the pressing of the bar. It makes no difference how the bar is pressed, whether the rat presses the bar with its paw, nose, or tail. Once the bar is pressed, the operation has been performed and the animal is rewarded. The dependent variable in operant conditioning is the response rate – the number of times the bar is pressed. Response rate, or the frequency of the response, is an important factor in judging the success of the operant conditioning.

Aversion therapy is a technique in which an undesirable response is inhibited by a painful or unpleasant reinforcement such as electric shock, noxious odors, or any technique which produces fear and avoidance. It is an ancient form of counter-conditioning, or punishment, which has been widely used in the treatment of homosexuality, stuttering, and alcoholism.

In desensitization the subject is first trained to relax beyond his normal state. He is then presented with images which evoke mild anxiety. At first the images are very mild, and they are repeated until the subject shows no anxiety. Then a

stronger image is introduced and the process is repeated. Finally the subject becomes desensitized to even the strongest image. Desensitization has been used to relieve people of phobic fears, anxieties, and in deprogramming conditioned responses.

Skinner began his experiments by building a number of boxes in which pigeons were required to run mazes and press levers to receive the rewards of birdseed. By manipulating the way the reward was given, Skinner found he could control the rate and the style of the lever pressing.

Eventually Skinner was able to get pigeons to bob and weave in prescribed ways. He was even able to get birds to distinguish colors by having them peck only at levers of specific colors for food. He soon learned to obtain just about any kind of behavior he desired from a number of different animals.

Skinner concluded that every action is determined by the environment and that all behavior is "shaped and maintained by its consequences." the behaviorists' mechanistic view of man was summed up by Skinner when he said, "If by 'machine' you simply mean any system which behaves in an orderly way, then man and all other animals are machines."

Skinner's subsequent research, however, showed that behavior which is supported by continuous rewards stops when the rewards are withheld. Further experimentation showed that by shifting from continuous to intermittent rewards, the behavior could be kept going even though the rewards became less frequent. This discovery made behaviorism a practical science, for now it could explain how behavior was maintained in the real world.

With unshakable faith in his own science, Dr. Skinner built a large box with a glass window on one side. It was a soundproof cage, much like the ones he'd used in experiments with pigeons and monkeys. But this box was for children, and into it Skinner put his own child.

This "Skinner box" was about as large as a spacious crib. The temperature of the box was carefully controlled, and Skinner testified proudly that "crying and fussing could always be stopped by slightly lowering the temperature." With the sound proof box, Skinner was "never concerned lest the doorbell, telephone, piano, or children at play wake the baby..." And, he added, "soundproofing also protects the family from the baby."<sup>82</sup>

Apparently Skinner's scheme to produce "socialized" children was not so successful. In the opinion of the kindergarten teacher of Skinner's youngest daughter, who had received the "benefits" of spending her early childhood in her daddy's box, she was not an obedient automaton, but a rather independent and

---

<sup>82</sup> B.F. Skinner, *Beyond Freedom and Dignity* (New York, Knopf, 1971)

even rebellious child.<sup>93</sup> Somehow Skinner's programming of his offspring must have failed in his own terms, for it would appear from his writings that Skinner's ideas are quite in line with the dreams of the cryptocrats who would seek to control us all.

In his popular work *Beyond Freedom and Dignity*, Skinner wrote: "The problem is to free men, not from control, but from certain kinds of control, and it can be solved only if our analysis takes all consequences into account. How people feel about control... does not lead to useful distinctions."

Skinner is not only concerned with controlling individuals, he desires to build a controlled society, ruled from crib to coffin by behavior modification. "The intentional design of a culture and the control of human behavior it implies are essential if the human species is to continue to develop," he said.

In the '70's and '80's B.F. Skinner was the center of a personality cult. He was the guru and founder of the modern psycho-philosophy which holds that it is morally and ethically permissible to change the behavior of others as well as to modify others' belief. About belief Skinner wrote, "People must believe that what they are doing has some chance of obtaining what they want or avoiding something to which they are averse. But the chances are in the contingencies. The relation of beliefs to other conditions, such as wants and needs, can be easily stated: to say that desires enter into the causation of beliefs is simply to say that the probability of behavior with which a belief is associated depends not only upon reinforcement but upon a state of deprivation or aversive stimulation."<sup>94</sup>

Aversion stimulation was the process upon which the Cold War faith was built. The Cold War faith, in turn loosed the cryptocracy upon the world to murder, maim, or rape the minds of any who posed a real threat to its goals of "defending the free world from communism."

In the words of Lewis Andrews and Marvin Karlins, "The world is, in a sense, one large 'Skinner box'..."<sup>95</sup> And if this is not already true, it soon may be, because there are behaviorists at work in practically every federal and state institution, as well as in the private sector.

Using federal and state institutions for testing purposes provided many benefits to the cryptocracy. They functioned as recruitment centers, where selected criminals were released to the custody of career spooks who could apply their skills in undercover work. Prisons were also valuable testing grounds.

Philip Hilts, describing the attitude prevalent in both the cryptocracy and prison bureaucracies, wrote: "There are three possibilities for criminals. The first is

---

<sup>93</sup> Interview, Name Withheld by request.

<sup>94</sup> Skinner, *op.cit.*

<sup>95</sup> Lewis M. Andrews and Marvin Karlins, *Requiem for Democracy?* (New York, Holt, 1971)



deterrent: Keep them from doing it again. The second is punishment: Knock the hell out of the bastards; they deserve it. The third is treatment: They're defective; let's fix them."<sup>96</sup> Behaviorists who work the prison circuit hold that the last is the only humane way of reducing recidivism. Perhaps. But one also begins to sense in such theorizing a preview of what is to come for the whole society.

"These behavioral engineers are growing mightily in numbers and influence, nourished by a law-and-order administration that though riddled by corruption itself, can still deliver the material goods," wrote David Rorvich. "They are not out to change the world but to make man adjust to it; they seek results, not understanding. A thick-skinned lot they are, not loath to admit the crudity of some of their techniques, claiming results that would take the more elegant psychotherapies and social reforms years to attain... What the world needs now in the service of 'curing' its deviant and miserable masses, proclaim the new psycho-technologists, is no more prison reform, urban renewal and nude group gropes but a few well-placed corrective kilovolts in the collective brain."<sup>97</sup>

The California Medical Facility at Vacaville was the center of a number of behavioral research projects funded by various agencies, including the Veterans Administration, HEW, the Bureau of Prisons, private drug companies, and others. Many of these agencies were fronting for the CIA.

In 1973, there was a "flap" in the press over the testing of drugs by these agencies under the guise of behavior modification. It was revealed that tranquilizers, depressants, sedatives, narcotic antagonists, and hypnotics were being tested in the hospitals and prisons (see Appendix B).

Dr. Leo E. Hollister, a medical investigator for the Veterans Administration, defended the practice: "The exemplary Medical Facility at Vacaville is one of the few places in the country where such [drug] studies are possible... at a time when the demands for such facilities are increasing, in response to an urgent public health problem, it would be sad to see them denied to responsible and highly reputable clinical investigators."<sup>98</sup>

It is debatable whether you can characterize the scientists who participated in all the projects as "responsible and highly reputable." It appears from the evidence that some may rather have been, as Philip Hilts playfully suggests, "hunchbacked wart-infested evil scientists..."<sup>99</sup>

Perhaps the greatest danger to freedom of thought and behavior is posed by the breed of Psycho-scientists who call themselves "behaviorists." While most psychologists once concerned themselves with the study of human thought and

---

<sup>96</sup> Philip J. Hilts, *Behavior Mod* (New York, Harper, 1976)

<sup>97</sup> David Rorvich, *Behavior Control: Big Brother Comes*, Intellectual Digest, Jan. 1974.

<sup>98</sup> Leo Hollister, letter to Thomas Clauson, July 3, 1973.

<sup>99</sup> Hilts, *op. cit.*

the rich life of the mind, the behaviorists believe that man's problems can best be understood by studying his actions. What a man thinks, sees, feels, wants and knows -- everything that a man is, behaviorists believe, can be most easily understood in terms of what he *does*.

Behaviorism would appear to be a predictable expression of materialistic cultures, East and West, which value externals above all else. You will seldom hear a behaviorist speak of "will" or even "mind." These are considered unscientific, subjective terms. Instead, the behaviorists speak only of "reflexes" which are reinforced by conditioning from the environment. They look forward to the day when they can conclusively prove that conditioning begins at the moment of conception, and that reflexes are ultimately the very stuff of what was once called the soul! The science of behaviorism portrays the human being as mechanistic protoplasm. The most avant-garde behaviorists have developed an unholy alliance with biochemists who together are exploring genetics, hoping to find the key for breeding selected behavioral characteristics. Certainly a person born with all his limbs will behave differently from a person who is born with genetic damage and without limbs. But beyond that, what some behaviorists are looking for is a genetic factor which controls anger, docility, and other personality tendencies. While many new scientific insights have come from behaviorism, so have many new dangers -- especially to the freedom of choice.

"The day has come," said Professor James V. McConnell, head of the Department of Mental Health Research at the University of Michigan, "when we can combine sensory deprivation with the use of drugs, hypnosis, and the astute manipulation of reward and punishment to gain almost absolute control over an individual's behavior." Did Dr. McConnell expressed the sentiments of behavior modifiers who, like cryptocrats, believe that mankind's salvation resides in the control of individual behavior in an engineered society? And engineered by whom?

"...We want to reshape our society drastically," McConnell said, "so that all of us will be trained from birth to want to do what society wants us to do. Today's behavioral psychologists are the architects and engineers who are shaping the Brave New World of Tomorrow."<sup>100</sup>

In the practical American way -- stripped for action -- the psychology profession appears to be turning away from psychotherapy and is becoming dependent upon the time and labor saving practical mechanics of behavior modification depending upon principles developed largely through laboratory experimentation. Voluntary as well as involuntary actions can be conditioned. Once a reflex is trained into a subject, he becomes an automaton, responding to the artificial stimulus to which he has been programmed.

---

<sup>100</sup> James McConnell, *Psychology Today*, May, 1970.

When light shines into the pupil of the eye, it contracts, and when the light is removed, it dilates. This pupillary reflex is involuntary; the individual has no conscious control over it, but it can be conditioned.

C.V. Hudgins demonstrated this by conditioning the pupil to a bell using a light as the unconditioned stimulus. He would turn on the light, which shone directly into the subject's eyes at the same instant he rang a bell. The light made the pupil contract every time just as meat made Pavlov's dog drool.

Hudgins then taught his subjects to use their own hands to operate the bell and light mechanisms. Then he would say "contract" and the subject would press the switch. When he said "relax" the subject would relax and turn off both bell and light. After only a few hours' training, Hudgins found that he could do away with the bell, the hand switch, and the light. He had only to say the word "contract," and the pupil would contract.

A modern apologist of conditioning, Andrew Salter, asserts that hypnosis in essence is the same as conditioning. Salter said that after he had conditioned the reader of his book to contract his pupil, as Hudgins had done, he would take him to an ophthalmologist.

"Doctor," Salter would declare, "here is a splendid hypnotic subject. I control this person so thoroughly that at my command his pupil will contract, and perceptibly."

"Come now," the doctor would say, "you know very well that pupillary contraction is involuntary. You need light for that."

Salter would then tell his conditioned reader "contract," and the reader's pupil would obey every time, and the doctor would be perplexed.

"How do you like hypnotism?" Salter would ask the doctor.

"It's amazing," he would answer, but his interest would diminish after Salter explained how, paralleling Pavlov and Hudgins, the reader's pupil had been conditioned. "Well," he would say, "come back next time when you have real hypnotism."

"Our doctor is wrong," Salter said. "There, in the conditioned reflex, he had seen the essence of hypnosis. (And parenthetically, when we see that the essence of hypnotism is conditioning -- or quite loosely, that the essence of the 'unconscious mind' is conditioning -- we are in a strategic position to develop a sound understanding of the deepest wellsprings of human behavior.)"<sup>101</sup>

---

<sup>101</sup> Andrew Salter, *Conditioned Reflex Therapy* (New York, Creative Age Press, 1949)

The cryptocracy, having discovered the wonders of hypnosis, drugs, behavior modification, and even more revolutionary electronic and sonic manipulations of the brain, learned how to reliably control individual behavior. Whether or not the Constitution protects the individual's free thought and speech, and whether one regards mind control as bondage or a necessary tool for social engineering, one must recognize that the power to control the mind exists – and is being used.

Did Philip Hilts know how close he'd come when he offered his chilling description of the crypto-behaviorists? He wrote: "Suppose a dozen controllers with that incurable twitch for power are meeting, now, in some secret mountain cabin. There, amid piles of rat-behavior charts, rows of cumulative recorders, and reams of human-foibles data, they are designing an environment. They are creating blueprints for a system that would produce the most terrible, violent, and antisocial people possible."<sup>102</sup>



Debbie Skinner in the "Skinner Box" dad designed for her. On the right is Dr. B.F. Skinner. On the left is Mrs. Skinner who is touching both little Debbie and the box with apparent equal affection. Like some other offspring of famous masters of behavior modification, Debbie committed suicide in her twenties.

## A SCHOOL FOR ASSASSINS

The cryptocracy recruited their assassins from among people who had already demonstrated a violent nature, people who had few reservations about taking human life. No homicidal maniacs were recruited because they could not be controlled. The cryptocracy needed killers who would not murder on impulse, but only upon command.

Once selected, the assassin candidates were turned over to the military, where, under the guise of "combat readiness" training, they underwent a complete program of conditioning. Graduates of the program would forever after act with ruthless efficiency. They would eliminate local political leaders in a foreign country, or undertake "search and destroy" missions in violation of national and international laws. They would be given a cover allowing them to enter the Foreign Service; or they would pose as embassy marine guards.

In July, 1975, the *Sunday Times*<sup>103</sup> in London quoted a U.S. Navy psychologist who admitted that U.S. Naval Intelligence had taken convicted murderers from military prisons, conditioned them as political assassins, and then placed them in American embassies around the world. This admission came shortly after the Senate Intelligence Committee had scolded the CIA for plotting a number of political assassinations around the world. From the congressional reports, however, one got the feeling the cryptocracy was being chastised not for the assassinations it had successfully accomplished, but for those which it had attempted, but failed. The attempts on the life of Fidel Castro drew the greatest notice from the congressional committees and the press.

According to the *Sunday Times* story, naval psychologist Lt. Comdr. Thomas Narut was assigned to the U.S. Regional Medical Center at Naples, Italy. When he first made public the navy's part in programming assassins, he was attending a NATO conference in Oslo on "Dimensions of Stress and Anxiety." In attendance at that conference were 120 psychologists of all descriptions and from many

<sup>103</sup> The full story of Narut and related events can be found in Peter Watson's book *War on the Mind: The Military Uses and Abuses of Psychology* (Basic Books, 1978). Watson was the source of the *Sunday Times* articles. According to my notes, when I met Watson in London in 1978, he argued in a conservative fashion that these experiments were limited. He believed that mind control was not a widespread practice, certainly had not gone operational to the extent I knew it had.

countries. Many of them were involved in research on how to improve man's ability to cope with stress, but none of them felt compelled, as Narut did, to discuss their work so fully or so frankly.

The stated objective of the conference was to exchange information on how soldiers and people in difficult jobs could cope with stress. Dr. Narut's talk was on "The Use of a Symbolic Model and Verbal Intervention in Inducing and Reducing Stress." His speech began with a plug for the navy. He knew, he said, that many of the scientists present had often encountered problems in their purely scientific research because of the military's inclination to research that would yield quick and useful results. He sympathized with those who had trouble getting subjects, funds, or both out of the military for their purely scientific research. But things were different *in the navy* he said.

In the navy, Narut bragged, there were plenty of captive personnel who could be used as guinea pigs. In the navy there was a computerized record of each man's background and psychological profile, so a quick selection of men with suitable psychological inclinations for experiments could be made. Navy psychologists not only had access to computerized records, but also to psychological tests and background data on a large number of people. In the navy, Narut said, funds were plentiful, and there were no problems with transporting subjects for study to nearly any place in the world. Narut stated proudly that the U.S. Navy provided scientists with the most advanced research facilities in the world.

A Canadian psychologist at the conference later remarked, "Narut's message was loud and clear – 'Join the navy and study the world.'"

In his brief discourse, Dr. Narut did no more than hint at the work he had been doing in teaching "combat readiness units" to cope with the stress of killing. Later, however, during private questioning with a small group of listeners (reporter Peter Watson of the *Sunday Times*, a former psychologist, among them), Narut unfolded the amazing story of the navy's programming of assassins on an assembly line basis. In his mid-thirties, Dr. Narut had just completed his doctoral dissertation on the question of whether certain films provoke anxiety, and whether forcing a man to do irrelevant tasks while watching violent films would help him cope with the anxiety they produced.

When pressed by Watson to explain the details of this kind of conditioning, Narut said he had worked with "combat readiness units" which included men being programmed for commando-type operations and for undercover placement at U.S. embassies. These, Narut said were "hit men and assassins" (Narut's words) made ready to kill in selected countries should the need arise. Dr. Alfred Zitani, an American delegate to the conference, was very surprised by Narut's disclosure. "Do you think Dr. Narut realizes what he has just said?" Zitani asked. "That kind of information must be classified."

The conditioning of Narut's assassins was accomplished by audio-visual desensitization, a standard behavior modification process. These men were "desensitized" to mayhem by being shown films of people being killed or injured in a number of different ways. At first the films would show only mild forms of bloodshed. As the men became acclimated to the scenes of carnage, they would see progressively more violent scenes. The assassin candidates, Narut explained, would eventually be able to dissociate any feelings they might have from even the goriest scenes they viewed.

Narut said that of course U.S. naval psychologists would have first selected the candidates for training by their psychological makeup. Those selected for assassination assignments were often from submarine crews and paratroops. Others were convicted murderers from military prisons who had already shown a proclivity for violence.

Still others were men who had been given awards for valor. World War II Medal of Honor winner Audie Murphy was a subject of extensive research.

The best killers, according to Narut, were men whom psychologists would classify as "passive-aggressive" personalities. These were people with strong drives, usually kept under tight control. Such types were usually calm, but from time to time would exhibit outbursts of temper during which they could literally kill without remorse. Narut said that through psychological testing, he and his colleagues were looking for more such men, for further conditioning.

Among the tests used by the navy to determine violent natures was the Minnesota Multiphasic Personality Inventory, which is used widely by educators and businessmen to determine psychological qualities of students and employees. The tests consist of hundreds of questions designed to measure such personality traits as hostility, depression, and psychopathy.

According to Narut, the men selected by the tests, or by evidence of past violence, were taken for programming to the navy's neuropsychiatric laboratory in San Diego, California, or to the Naples medical center which employed Dr. Narut.

Audio-visual desensitization was the major technique used in programming the assassins. Psychological indoctrination completed the programming by instilling the desired prejudicial attitudes.

The audio-visual desensitization began with the subject strapped into a chair with his head clamped so he could not look away from the screen. A special mechanism prevented the subject's eyelids from closing, as depicted in the film *A Clockwork Orange*.

The candidate was then shown a film of an African youth being crudely circumcised by fellow members of his tribe. The youth was circumcised with a

blunt knife, painfully and without anesthetic. This well known film is used widely in psychological experiments to create stress. Afterwards the candidate was asked about details of what he had seen. He was asked, for example, to describe the color of the belt on the doctor's trousers, or the motif on the handle of the knife which cut off the foreskin.

The next film showed a man in a sawmill, where planks were sliced from huge logs. In the operation of the saw the man slipped and cut off his fingers.

As the films progressed in gruesomeness, the reactions of the candidate were measured by sensing devices. Heartbeat, breathing rate, and brain waves were recorded, very much as on a polygraph. If the physiological responses, which might have been great in the beginning, slowed down and resumed normal patterns as the more bloodthirsty scenes were viewed, the candidates were judged to have completed this stage of conditioning.

The last phase of conditioning, Narut said, was to indoctrinate the candidates to think of their potential enemies as inferior forms of life. By this stage, the candidates would have already been selected for assignment to particular countries. They would be shown films and given lectures which portrayed the customs and cultural habits of the foreign countries in a biased fashion. The people of those countries would be portrayed as enemies of the United States and were always spoken of in demeaning terms. They were often presented as if they were "less than human." Their customs were ridiculed, and local leaders were presented as evil demagogues, even if they were legitimate political figures.

According to Dr. Narut it took only a few weeks to indoctrinate susceptible candidates by this process. Those who were not susceptible to the conditioning were dropped earlier in the program and returned to other assignments. Narut admitted he did not have the necessary "need to know" as to where all the programmed men were sent, although at one point in his conversation with Peter Watson, Narut specified that programmed assassins have been installed in the Athens embassy. He said his busiest time was when a large group of men went through such training towards the end of 1973 at the time of the Yom Kippur War.

After the Oslo conference interview, Watson returned to London to file his story. Writing up the details, he found a few points which needed clarification but he could not reach Narut either at his home or in his laboratory in Naples. Watson then asked the U.S. embassy in London to comment on the information Narut had volunteered. The embassy passed the buck to the U.S. Navy.

Within a few days the Pentagon issued a categorical denial that the U.S. Navy had ever "engaged in psychological training or other types of training of personnel as assassins." They also denied any such training had ever taken place either in San



Diego or in Naples. They said they too had been unable to contact Lieutenant Commander Narut, but they did confirm he was on the staff of the U.S. Regional Medical Center in Naples as a psychologist. But Dr. Zitani later offered to testify about what Narut had told him to "appropriate authorities." Watson was also approached later by a psychologist in Los Angeles who said he had seen the Pentagon denials so thought Watson would like to know that he had lent the San Diego psychologists a copy of his film on circumcision which was used in the desensitization conditioning.

A few days later Narut was located. He flew to London to discuss the matter ostensibly with Watson's paper, the *Sunday Times*, but instead he held a press conference saying only that he had been talking in "theoretical and not practical terms." He then flew back to the Naples base.

After his return to Naples, U.S. naval headquarters in London offered the official explanation for Narut's statement: Narut had "personal problems." A few days later Watson was able to contact Narut at the U.S. hospital in Naples, but he refused to elaborate on his disclosure.

During the Oslo conference interview, Narut had said several times that what he was saying about the assassins was "coming out anyway." He was referring to the congressional disclosures about CIA assassination plots. But the fact that the navy had been operating along lines similar to the CIA was not known to the public nor has it subsequently been admitted. The details of the story that Lieutenant Commander Narut related have been strongly and categorically denied in all subsequent queries of the navy.

It came as no surprise to many that the navy had been interested in psychological research to help its men cope with "stress." Several years before, one of the organizers of the Oslo conference, Dr. Irwin Sarason, had been approached by the navy to work on projects similar to Narut's. At the time, the navy had said nothing to him about programming assassins; it said it wanted him to adapt his work for applications to "spies."

In response to that request, Sarason devised a film which showed how successful students asked questions in school. The film was shown to a group of juvenile delinquents for a period of time until they too learned how to pose the right questions. As a result, over the next two years they did much better in their studies and got in trouble less. The control group who had not seen the films did just as poorly in school as they'd always done and were just as delinquent.

Since his "symbolic modeling" study had been successful, Sarason wanted to continue research and applied to the Office of Naval Research for more funding. A few weeks after his application was received, Sarason was called by a navy official who asked him if he would object to having his work classified. Sarason

wondered why, and the navy official told him his research would be most valuable to the navy's neuropsychiatric laboratory in California as spies were being trained there to resist interrogation. The naval official said that if Sarason would allow his work to be classified, he'd get all the funds he needed.

But Sarason was interested in the peaceful scientific nature of his work, not its military applications, so he refused to have the project classified. His goal was the exception rather than the rule.

The federal government supports most scientific research in the United States. Enough psychologists and other social scientists haven't asked questions about what their research is to be used for; their main objective has been to get the grant, so they could support themselves and their scientific curiosity. Since too many of them have been politically disinterested or naive, they have been easy prey for the cryptocracy. Lieutenant Commander Narut was therefore but one in a long line of psychologists being employed for psychological warfare and illegal clandestine operations.

Another such operation was the training of security officers at the Washington based International Police Academy by psychologists and sociologists. The officers were supposedly being taught interrogation techniques for Third World countries; actually it was a highly sensitive clandestine operation organized for the training of U.S. spies. Congress closed the Academy on January 1, 1974, after its real purpose was disclosed to the press.

Another, uncovered in the late 1960's, was "Project CAMELOT," purportedly a sociopolitical analysis of Chile, but actually designed to keep Chile free of Communist leaders by discrediting them. Project CAMELOT played an important role in the overthrow of Salvador Allende and his democratically elected leftist government.

In 1975, Congress questioned the navy about its development of a questionnaire to survey attitudes toward death. Congressmen had learned that psychologists were eagerly working on such a questionnaire, known as the "Value of Life" study, that would allow the navy to assess a recruit's willingness and ability to kill from the very first day he entered the service.

In still another government funded experiment, psychologists working for the Human Resources Research Organization in Alexandria, Virginia, had conducted a brutal series of "stress training" experiments in the early 1960's

In one experiment army "volunteers" were taken on an airplane flight. Suddenly, the airplane's engines failed and the plane was forced to land abruptly on a rough airstrip. The soldiers were later tested to see if this incident had caused a fear of flying. In another experiment soldiers were taken out and "lost" in a forest. Suddenly, a huge forest fire engulfed them, so that the men found themselves "off

course" and surrounded by fire. These men were tested to see if the experience had given them a fear of fire.

In yet another experiment, soldiers were allowed to "stray" into an artillery target area. Shells were exploding all around them, and they had to get out of the area by keeping cool and following orders. Since artillery shells fired from a distance of twenty five miles away are hard to control, the explosions were created by detonating underground charges triggered by remote control from a lookout point. After the realistic shelling was over the men were tested to see if they suffered any discernible "shell shock."

During all these experiments the men were under visual observation. In some, they also wore telemetry devices which allowed scientists to measure their pulse rate, respiration, and other vital signs to determine the level of stress they were experiencing at the time they were exposed to the dangers.

As this battery of experiments became known to the outside world, public opinion and congressional pressure supposedly brought a stop to them. The military was not deterred, however, from other kinds of cruel and dangerous experimentation; it continued its stress research in spite of the bad publicity.

While military "stress testing" may have developed useful insights into the psychology of warriors, its primary goal, as Lieutenant Commander Narut pointed out, was the programming of assassins. These experiments were most useful in programming those men who were already inclined to kill. Hypnosis was *still* the only effective tool for motivating those who were not inclined to kill, then for erasing the memory of their crimes or eliciting false confessions.

Alarmed by evidence found in the assassinations of John and Robert Kennedy and Martin Luther King, Dr. Joseph L. Bernd of the Virginia Polytechnic Institute in 1968 questioned leading authorities on hypnosis about the possible use of hypnosis to motivate assassins.

Bernd wanted to know if political influences could be induced by hypnosis; could people be hypno-programmed to operate unconsciously and take what seemed to be independent action? Could people be influenced to commit political assassination as a consequence of hypnotic influence?

In his query Bernd asked authorities to assume that a skilled hypnotist found a subject who was both a good hypnotic subject and highly capable in the use of weapons. They were to assume that the subject also had a deep hatred for some political personality prominent in the news. Bernd's first question to the authorities was: "Could the hypnotist use hypnotic suggestion to persuade the weapons expert to kill the hated political personality at a time and under conditions suggested by the hypnotist?"

His second question was: "Could the hypnotic suggestion of this action be achieved in a way which could leave the subject assassin unconscious of and unable to recall to consciousness the fact that his violent act was made as a consequence of hypnotic suggestion?"

The authorities who responded to Bernd's questions stated they did think it possible to induce a subject to kill. One expert said, "...I would say that a highly skilled hypnotist, working with a highly susceptible subject, could possibly persuade the subject to kill another human..." Another expert went further, saying it was possible through posthypnotic suggestion to make a subject unable to recall his act. "There could be a conspiracy," one expert wrote, "but a conspiracy of which the principal was unaware."

It may well be that Bernd hit a nerve in the cryptocracy. His report, "Assassination and Hypnosis: Political Influence or Conspiracy," was never published.

But despite all the efforts of the cryptocracy, slowly, the secrets of mind control began to emerge. Soon there surfaced other evidence that there were indeed such things as programmed assassins. One such assassin made bold headlines on the front page of a newspaper in the Philippines.



American Institute of Hypnosis Director, Dr. William Jennings Bryan III, sits before a panel through which he could program three subjects at one time.

## THE FOUR FACES OF A ZOMBIE

On March 2, 1967, Luis Angel Castillo, age twenty-four, was arrested by the Philippine National Bureau of Investigation (NBI) on suspicion of conspiring to assassinate President Ferdinand Marcos in Manila. In a series of interrogation sessions, the NBI and Philippine Army investigators gave him truth serum (at his request) and put him under hypnosis. During one of these sessions, Castillo revealed he had been involved in an assassination four years earlier.

Castillo told the NBI, both under hypnosis and truth serum and also in a normal state, that he had been hypnoprogrammed to kill a man riding in an open car. Although Castillo did not know the identity of his target, the scene of his supposed "hit" was Dallas, Texas. The date was November 22, 1963.

After revealing this information, Castillo asked for political asylum in Manila. He was quoted in the *Manila Times* as saying, "I am afraid to go anywhere anyway. I am as good as dead now."

"I don't know how I got into Dallas or how I got out," Castillo told reporters, "but I am sure I did not carry a gun."

The *Manila Times* story reported that Castillo had arrived in Manila carrying a Philippine passport which identified him as Antonio Reyes Eloriaga, a returning resident who had been expelled from America for overstaying his visa and stealing a car. While in the U.S., Castillo had traveled under the aliases Angelo Rodriguez, Razo Hernandez, Mario Rodriguez, Ignacio Gonzales Gradjeda, and Antonio Eloriaga.

Castillo told investigators that a woman with a German accent, a Mrs. Kreps, had given him his initial instructions in Dallas. According to Castillo, she was just one of many individuals who worked on him to place him in a deep hypnotic trance for the Kennedy job. Castillo said he had been a private in the Cuban militia, the Segunda Organizacion Defensiva in Santiago, Cuba, when he was initially chosen for training in espionage work. He was subsequently trained by the Defensiva under a Colonel Calma, at a camp located about fifteen miles from the Bay of

Figs. Among the members of the training cadre, Castillo said, were a communications expert named Karnovsky, along with some other Cubans and a handful of Americans. One American he identified was James Smith, who attended to Castillo's needs both as a civilian in Cuba and later in the United States.

Three years later, on October 2, 1966, Castillo was arrested in New Mexico and charged with driving without a proper auto registration. His arrest was made under the Eloriaga identity. Castillo was brought before New Mexico Justice of the Peace Elmer Bassett and sentenced to four days in jail. "The reason I gave him a jail sentence," Bassett said, "was I figured when a fellow has a hard time remembering what his name is, there's something wrong with him." After serving his sentence Castillo was turned over to U.S. immigration authorities because he had no proof of U.S. citizenship.

Bassett reported that "Castillo said he was from Madison, Wisconsin, but was born in the Philippines. He couldn't show that he *was* from the Philippines or that he *wasn't*."

Bassett also revealed that someone had called him a few hours after Castillo had appeared before him and asked that the man be released. "I don't know who it was," Bassett said, "I just told them I couldn't do that."

According to the NBI, Castillo had Antonio Eloriaga's Philippine passport on his person when he was arrested in Manila. Based on information provided by the intelligence service of the Philippine armed forces, the NBI had been searching for him since February. They had evidence that Castillo, in the guise of Eloriaga, had made contact with a guerrilla group which was constantly plotting to assassinate Marcos and overthrow the Philippine government.

The NBI set to work grilling their captured suspect. They knew something of his criminal past. They knew, for example, he had been arrested in 1962 for carrying a concealed weapon; they also knew that two years later he had been sentenced to a state reformatory in Bordentown, New Jersey, for larceny. But nothing prepared them for the shocking story implicating him in the events in Dallas.

They asked Castillo to submit to a lie detector test and were surprised when he said he preferred truth serum. Suspicious of both his strange story and his behavior, NBI officials called in a psychiatrist to examine him. But even after the psychiatrist judged Castillo normal, the NBI investigators still refused to take Castillo's bizarre and contradictory story at face value.

Later, reporters connected with the *Manila Times* were equally dumbfounded by Castillo's strange behavior.

One reporter described him as a "now talkative, now reticent cloak-and-dagger man." He clammed up when he was asked whether he was in the Philippines to help implement an assassination plot against President Marcos. In his truth serum statement, he claimed he had worked with a "cell of Reds" to end someone's life. But during his interview with the press he said, "neither do I admit or deny it." When quizzed about Lee Harvey Oswald, he drew a blank.

As a member of the Warren Commission, Gerald Ford was queried by the Philippine authorities about Castillo's revelations concerning the JFK assassination. Ford said he would not comment on the Castillo story until he had more information. A spokesman for the Dallas Police Department said they had no record on Castillo.

Nevertheless, the U.S. embassy did agree to a closed door meeting between embassy officials and NBI Director Serafin Fausto on the subject of Castillo. After the meeting Fausto refused to comment further on the story, but he did tell reporters that, "although publication of the story had prejudiced investigation of the case, one good thing has come out of it; needed information is coming in from the United States to shed light on the case."

Fausto also made it clear that leads obtained from the U.S. embassy justified continuing the investigation of Castillo's link to the assassination of President Kennedy.

After making an official request for assistance from the FBI, the NBI clamped a news blackout on the story, and nothing further was published in the press. Private investigations later revealed that Castillo was spirited out of the Philippines, but not before a series of hypnotic sessions had taken place, at the request of the FBI.

The FBI wanted to have Castillo, while under hypnosis, place the time of the Kennedy assassination. They wanted to know when Castillo had come to Dallas, what time he arrived at the building, and from what location he was supposed to shoot. They wanted to know the time he left the building, the names of any people involved, and any information which might indicate how the plot was hatched, and by whom.

It came as a surprise to the NBI that the FBI also wanted Castillo questioned about the Boyeros airport, eight miles south of Havana, Cuba. The FBI requested the tightest possible security be kept on any testimony obtained from the hypnotic sessions.

In the last of three sessions requested by the FBI, Castillo was induced into a deep hypnotic trance by the ordinary talking method in an NBI interrogation room in Manila. While in that trance state he was questioned for more than three and one half hours. The hypnotist's report stated, "Initially, the subject indicated an

admixture of desired susceptibility to hypnosynthesis but deep seated resistance due to the presence of a posthypnotic block. This block appeared to have been connected with the presence -- nightmarish -- of a Mrs. Kreps. The total removal of this block may pave the way for maximum results."

The hypnotist reported that during the pretrance warm up, he examined Castillo and found little scars on his forehead, chest, stomach, and fingers. Castillo told him the scars were the result of a car accident in the U.S., which happened when some men were chasing him while he was trying to deliver "an envelope of some kind." Castillo mentioned that after the crash he'd awakened in bandages in a hospital bed.

Names which were presented to Castillo in the pretrance interview were repeated while he was under hypnosis. He recognized the names of several individuals who were then gaining notoriety in connection with New Orleans District Attorney Jim Garrison's JFK assassination investigation. But Castillo revealed that he knew some of the people by other names.

Throughout his recollections, Castillo suffered stomach cramps, said he felt a "weight on his legs," and cried out in pain a number of times. Through the manipulations of the hypnotist, he was able to recall that on many different occasions he had been taken to a factory. Mrs. Kreps and Castillo had always driven to the factory in her car, and they had always entered through the front door. Castillo could not remember the exact location of the factory, other than it was located "way outside Chicago." He spoke of a romantic relationship with Mrs. Kreps. But while one moment he spoke of her as "nice" and "kind," in the next breath he said he hated her.

According to the hypnotist's report, one thing was certain. Whoever Mrs. Kreps was, she "controlled the subject's activities and consciousness like a nightmare."

Eliciting information from Castillo was no easy task. Over the course of many interrogations, the hypnotist discovered that Castillo could be taken to four different hypnotic levels. It appeared to the hypnotist that each level came closer to the truth. He labeled these states "Zombie I, Zombie II, Zombie III, and Zombie IV." Depending upon which "Zombie" state Castillo was in, his mannerism and identity changed.

In the first state, "Zombie I," Castillo believed he was Eloriaga, and he told tales of anti-American espionage. During "Zombie II," he took on the identity of a tough talking CIA agent in trouble. While in "Zombie III," again Castillo emerged as an agent whose cover had been blown. At this level, however, he experienced a compulsion to kill himself. On the day he was to have assassinated Marcos, Castillo responded to a program he had revealed in an earlier interrogation. He attempted suicide in his jail cell by swallowing a bottle of epoxy.



The "Zombie IV" state revealed that "Castillo's" true name was Manuel Angel Ramirez, a twenty-nine-year-old native of the Bronx, New York. In this state he had no recollection of his youth, except for a hazy memory of his father, who "Ramirez" believed was a highly placed official at "the Agency."

As "Ramiriz," Castillo said that most of his life had been spent in training with or on missions for the Special Operations Group of the CIA. He remembered one training camp where he learned clandestine and martial arts. Throughout the interrogations the theme of "programmed agent" emerged. Castillo's testimony under hypnosis was that of an individual whose identity had been completely erased and reconstructed several times over.

On May 30, 1967, Castillo spontaneously went from his normal state into a "Zombie" state. In answering Castillo's question about transfer from the hospital to jail, the hypnotist unknowingly said, "That depends entirely on the big chief, you know." Upon hearing these words, a blank look came over Castillo's eyes and all efforts to wake him were at first unsuccessful. The hypnotist then called out a series of phrases from Castillo's notebooks and found the phrases "I will win if I don't lose my nerve" and "I must believe myself or no one else will believe me" awakened him.

The next day was Castillo's birthday. The NBI planned to give him a birthday party as an excuse to get him drunk to see if his behavior changed. Castillo, it seemed, had a huge capacity for liquor. Drunk to the eyeballs, he saluted one of the NBI agents and called him "Colonel." "Where do we fly tonight, Colonel?" he asked.

The agent quickly told him he was to fly the same mission as the last one. Castillo said, "Haiphong," then drunkenly fell into bed. He dug his fingers into his throat and vomited. he cried out for a doctor and between vomit spasms, rattled out his mission to the hypnotist.

He said his real name was Manuel Angel Ramirez, his rank was sergeant, and he was assigned to the Strategic Air Tactical Command in South Vietnam. he said his immediate superior was Colonel Summers.

He was in Saigon in January, 1966, he related, and had flown B-26 missions over Haiphong and Hanoi. He came to Manila, he said, to kill President Marcos in June, when the president would make a public speech. If his assassination attempt failed someone else would get Marcos before the end of 1968, Castillo added.

"I am dying," he groaned, and pleaded again for a doctor. He thought he was dying from a heart attack. "If I die today," he warned, "my secrets die with me."

When the NBI doctor arrived, he examined Castillo and pronounced him fit, except for his obviously drunken state. He tried to give him a shot to calm him down, but Castillo protested violently. The doctor then asked him to take a pill, which he did without resistance.

Two days later, Castillo was given another medical examination by Dr. Alexis Guerrero of the NBI. A series of tests were given to measure his breathing rate, pulse rate, perspiration and other functions. All of these tests were performed in "Zombie" states I, II, and III. The doctor noted that in each state there was a vast difference in pulse rate, and assumed, because of what Castillo said, and the reactions of his heart and respiration, that he was experiencing some emotional agitation.

Sodium amytal was administered while he was in the "Zombie III" state. According to the Hypnotist, Castillo did not even notice he'd been given the injection. Soon he began to talk as he'd done previously while in the drunken state. "I'm Sergeant Manuel Ramirez of the Tactical Air Command," he said. When asked to reveal his base he said, "You'll never know," adding, "I am a pilot. I've flown a B-26."

"The NBI are suckers," he said a little while later. "They thought they arrested me. But there I was, waiting for them to get me. I know of a great plot. I am supposed to expose it, after I'm arrested. I know I will eventually return to my country [the U.S.]. I'll go through the motions of a trial, conviction, and jail as a criminal. After a couple of months I will be released for my next assignment."

Awakened from the "Zombie" state, Castillo was told all about these various states and his strange behavior while in them. the hypnotist explained how he thought Castillo had been programmed. Castillo seemed baffled by this news. He said he was not told by anybody about being programmed. He said that "Papa" didn't even know about the "Zombie" state. He grew agitated, saying that if he were in the "Zombie" state he might even kill "Papa," and then "the Agency would go to blazes. Hell will break loose on the guy responsible for the Zombie."

Asked in trance to identify "Papa," Castillo said that he was not just a "guy," but was his *real* father. He described him as having a mustache and smoking a pipe. He said he was the only one who could send the Agency to "blazes" if he, Castillo, was killed on this mission. He said "Papa's" initials were A.D. and that his first name was "Allen." He said he would personally tell "Papa" about the "Zombie" when he got back.

After more than forty hypnotic sessions lasting from one to five hours each, covering the period from April 3 to June 25, 1967, the hypnotist reviewed the data and summarized it for the Chief of the Defense Intelligence Division of the National Bureau of Investigation. The summary report not only involved Castillo

in the assassination of John F. Kennedy; it disclosed Castillo was a hypno-programmed "Zombie" who would kill on cue.

The summary report stated: "The Zombie phenomenon referred to here is a somnambulistic behavior displayed by the subject in a conditioned response to a series of words, phrases, and statements, apparently unknown to the subject during his normal waking state. While under the influence of such a Zombie state, the subject closed his eyes, rose bodily, walked, triggered a pistol, stared blankly, and fell to the floor with no apparent sense of physical pain. As far as could be determined experimentally, the Zombie behavior had for its objective the assassination of President Ferdinand Marcos of the Republic of the Philippines."

The report also added: "Neither the presence nor the discovery of the Zombie states in our subject should be regarded as noble or unique. If anything, the only remarkable character of the Zombie state in our subject is its deeply ingrained and systematic presentation, indicating a certain disturbing degree of conditioning."

In a lengthy summary, the NBI hypnotist and deprogrammer of Castillo recounted the details of exactly how he had uncovered the key that unlocked the programmed assassin's mind.

The letters "XBGUMIDUTYBX" were found scribbled on the white surface of a cigarette package which was in Castillo's possession at the time of his arrest. The paper had been folded carefully and tucked into the back of his watch. Castillo had told investigators that this piece of paper was given him by a man named Luis Mauricio. Castillo said Mauricio also gave him money. Mauricio was known to the NBI as a member of the Huk guerrillas.

Placing Castillo in a trance, the hypnotist called the series of letters on the cigarette package. Castillo did not react. He then tried calling out the letters, pausing at different places. He found that when he paused between the G and the U, saying "XBG,UMIDUTYBX," Castillo would reply with "I am myself to kill."

The hypnotist then tried the letters one at a time, and then in different combinations. While many of the combinations produced no response, the following were significant:

When the hypnotist said "X," Castillo quickly answered "Mauricio."

When the hypnotist said "BGU," Castillo slowly said, "I am myself."

When the hypnotist said, "MI," Castillo answered, "to kill."

In another session the hypnotist experimented with saying "Luis Castillo" as a command. The hypnotist reported, "A pathetic sight takes place after this. The

subject turns his pistol to his own temple and squeezes the trigger, as many times as his name is repeated."

Whenever the hypnotist would say, "June 12, 1967, 12 o'clock," " June 22, 1967," "July 4, 1967," or "January 1, 1968," Castillo would invariably aim the pistol and squeeze the trigger.

The hypnotist found that after the preparatory command to put him in a trance, if Castillo's eyes were open and he saw a photograph of President Marcos, he would, with no verbal instructions, aim and repeatedly squeeze the trigger of his pistol, following the photo wherever it was taken around the room. If the hypnotist said the word "kill" while Castillo was following this program, he would drop heavily to the floor and remain motionless.

The hypnotist's report also includes Castillo's amazing story about his participation in yet another organized assassination attempt. Under hypnosis, Castillo said the assassination happened "before noon." He remembered being with a man called "Lake," whom he described as a tall man, weighing about 190 lbs., with a hawklike nose, black hair, and Oriental eyes set in a long face. Lake spoke with a foreign accent which Castillo could not identify. He said he remembered meeting Lake along with four or five other men in an airport. They then drove together in a black car to a building. Castillo said he thought the group included both Americans and foreigners, and he thought one man was Spanish.

When the group arrived at the building, Castillo said they climbed to a second floor room which he described after some uncertainty as brown. The room contained packing crates, a short brown table, a typewriter, and two "lift-up glass windows overlooking a street. "Lake opened a black suitcase, which Castillo described as a bowling bag with a zipper and lock. It contained a scope and pieces of a rifle, which Lake assembled. He set the scope at 500 yards and gave the rifle to Castillo. Castillo did not seem certain about the make or caliber of the rifle, but finally said he thought it was Russian.

Lake told him to shoot a man in the back seat of an open car in the middle of the caravan. He said the man would be seated with a lady or another man. A mirror was to be flashed twice from a building across the street, so Castillo would know when he was to shoot. When he saw the two flashes he was supposed to shoot at the next car coming into view. When he was questioned about the identity of the man riding in the open car, Castillo said he did not know who the victim was.

After Lake had assembled the rifle and had given Castillo his instructions, he went downstairs. Later Lake rushed into the room. "They got him already," Lake told him. "Let's get out of here." He then grabbed the rifle away from Castillo, Dismantled it, and stuffed it and the scope into the black bag.

Castillo and Lake rushed downstairs, got into a car with two other men, and drove away from the building. They picked up a bald-headed, skinny man after they turned the first corner. Three or four blocks later the car stopped and picked up another man.

Castillo said he was riding in the back seat between Lake and the man who had joined them at the second stop. As the car drove away from the scene of the crime, the unidentified man gave Castillo an injection while he wasn't looking. He went immediately to sleep and woke up in a Chicago hotel room with Mrs. Kreps.

He and Mrs. Kreps got into a blue car and drove to Milwaukee, Castillo said. While driving there, they heard the news of the assassination of John F. Kennedy on the car radio.

Within a few days after the hypnotist submitted his final report, Castillo was out of the NBI jail and had left the Philippines for parts unknown. It was later uncovered that Castillo was returned to the United States in 1967 and questioned by the FBI, whose spokesman said, "We talked to Castillo and he told us that he'd fabricated his story about the Kennedy assassination. Said he'd made it up in Manila.

The official record says Castillo was sentenced to six years in the Missouri Penitentiary for robbery in June, 1971. On August 1, 1974, he was released after serving thirty-seven months. Castillo's last known contact was with his mother shortly after his release from prison. Since then he has disappeared, from both his family and those researchers who would like to question him further.

If Castillo had indeed "made it up in Manila," as the FBI spokesman claimed, then he must have had a phenomenal memory, an incredibly high tolerance to sodium amytal and alcohol, and virtuoso acting ability. Neither the psychological profile nor the life history of Luis Angel Castillo supports the conclusion that he possessed any of these talents.



Whenever I've projected the image on the right on a screen and asked the audience to identify the person in it, they've shouted back with confidence: 'Sirhan Sirhan.' I then showed them the image on the left. That is the image of Sirhan Sirhan taken shortly after his arrest. The image on the right is the image of Luis Angel Castillo. Their appearance is similar. They were about the same size, same color. They dressed similarly and some of their peculiar habits were similar. They each kept a diary which strongly suggested that they were both programmed in a similar way

## THE LONE NUTS

**M**KULTRA was fully operational when Luis Castillo was programmed. It was active that same decade when events blamed on three "lone assassins" changed the course of history.

In a well executed, mass indoctrination campaign employing all the honor, prestige, and power of the U.S. government, Americans were told over and over again the lives of John Kennedy, Martin Luther King, and Robert Kennedy were all taken by lone assassins -- men operating without political motivation. These three assassins -- Lee Harvey Oswald, James Earl Ray, and Sirhan Sirhan-- conveniently left diaries, underlinings in various books, and other self-incriminating clues to establish their guilt.

The evidence gathered on the assassinations remains fragmented and incomplete. Any event of such magnitude as political assassination is bound to invite a large number of interpretations. While in 1978 when the first edition of this book appeared there was not any conclusive proof of a conspiracy, more than eighty percent of the American public then believed there was a conspiracy. Today, after Oliver Stone's masterful film *JFK*, more than ninety percent of the public believe that John F. Kennedy was murdered by conspirators working with the U.S. intelligence agencies. While Congress did cite Richard Helms for contempt, and declared that the FBI and the CIA did not cooperate with the Warren Commission, the murders of Kennedy, Kennedy and King remain unsolved mysteries in the public's opinion. A string of circumstantial evidence, and a knowledge of the fundamentals of mind control invites further speculation.

In each case the method was the same -- death by the bullet. In each case the circumstances were the same -- murder in a public place in view of many witnesses. All three assassins were men whose personal histories can be interpreted to indicate they were mentally unstable. Evidence suggests all three had been hypnotized at one time or another.

But the similarity in their psychological profiles, and the "coincidence" of each having left a trail of evidence, did not seem suspicious to the government investigators of the assassination. That three assassins, from three different parts

of the country, with three different ethnic backgrounds (and three different victims in three different cities), could all have had the same *modus operandi* did not seem improbable to the investigators. Those "coincidences" did not even warrant their notice.

A good detective would immediately have suspected the M.O. of each assassin was a cover laid down by a professional hit team.

The cryptocracy which grew up after World War II was composed of a cadre of professionals, trained during the war. Professional intelligence agents in both the KGB and the CIA are trained to stick to the cover story that works, and use it as long as it does work. Even if the cover story is blown, the agent is supposed to stick to it and, if necessary, die with sealed lips. The "lone nut" theory – that the assassins of King and the Kennedys acted alone – and the evidence planted to support that theory, stand out as a typical professional intelligence "cover."

The *modus operandi* or method of a murder is the first of two major clues detectives use to solve crimes. The second clue is the motive.

Those who support the "lone nut" theory point to the fact that no clear political motive could be attributed to any of the three assassins. Yet even to a casual student of history each of the three murders was of obvious political benefit to the extreme right: John and Robert Kennedy and Martin Luther King were all independent thinkers who could not be bought off. They worked for expanded civil rights in a manner the right wing interpreted as being Communist, e.g., it involved *government legislation* of civil rights.

The Church Committee investigation clearly showed that J. Edgar Hoover had a personal vendetta against Dr. King, and it has been reported he lost no love for the Kennedy brothers. The Kennedys were not only on the wrong side of Hoover's FBI, they were on the wrong side of the CIA as well. JFK fired several top intelligence officers (he asked for Allen Dulles' resignation) and at the time of his death he was privately talking about reorganizing the entire U.S. intelligence service.

Robert Kennedy, as attorney general, was waging a tireless campaign against organized crime. His campaign cut across the alliance the CIA had formed with gangsters who had lost their gambling and drug concessions in Cuba. Robert Kennedy was a close friend of Dr. King, and one rumor persists that the assassins had issued a dire warning to RFK not to run for president, and that King was sacrificed to show that the group meant business. A similar threat was issued against Ted Kennedy when he was entertaining presidential thoughts. Robert Kennedy's knowledge of the CIA-Mafia link and the CIA assassination teams might have been a motive behind the motive, assuming fanatical right-wing operators were "contracted" for the "Executive actions" against the three.



The obvious results of all three assassinations would indicate the extreme right wing, known to be widespread in the cryptocracy, had the most to gain. By their deaths, the civil rights movement was severely crippled, the conflict in Vietnam escalated, and the corrupt leaders of the cryptocracy stayed in power.

In the late '70's a rumor was put forth by CBS News and others that Castro and/or the KGB were behind the assassinations. That theory smells like more disinformation from the cryptocracy. The motives of the Communists seem much less clear than the motives of misguided patriotic, white, right-thinking Americans. The cryptocracy was in a better position to benefit from the deaths of the three charismatic and humanitarian leaders than were the Communists.

Following the assassination of President Kennedy, his successor appointed a now notorious commission to investigate the crime. Headed by Chief Justice Earl Warren, it included Sen. John Sherman Cooper (R., Kentucky), Sen. Richard B. Russell (D., Georgia), Rep. Hale Boggs (D., Louisiana), Rep. Gerald R. Ford (R., Michigan), former CIA director Allen Dulles, and John J. McCloy.

After nine months of deliberation, the Warren Commission concluded Lee Harvey Oswald acting alone, had shot President Kennedy. Although Oswald was in turn assassinated by Dallas thug Jack Ruby, and although Ruby's connections with organized crime and the anti-Castro movement were well known, the Commission found no evidence of a conspiracy.

The twenty-six volumes of evidence which made up the commission's final report left so many questions unasked that by December, 1976, a Harris Survey concluded 80 percent of the U.S. population did not believe the commission's conclusion.

From the beginning, the investigation was slanted towards proving Oswald was guilty and had acted alone. The commission had proceeded with haste to put to rest forever the question: Was there a conspiracy behind the Kennedy assassination? In its haste it had overlooked key facts and ignored witnesses who did not support the foregone conclusion that there was no conspiracy – that Oswald was just a "lone nut."

Throughout the Warren Commission hearings there was conflicting testimony about Oswald. There was testimony that Oswald did not drive a car. There was other testimony that he did drive, and very well. Some of his acquaintances said he was a poor shot, too poor to have accomplished the feat of marksmanship in Dealy Plaza. Others said he was a fine marksman. Some said, by turns, he was a Communist, a pro-Castro and an anti-Castro sympathizer. His own mother said he performed undercover work for the U.S. government. Out of this mass of conflicting evidence, the Warren Commission simply took what was needed to

support its foregone conclusion, and relegated the rest to published transcripts or to top-secret files in the National Archives.

There were so many conflicting descriptions of Oswald that many independent assassination investigators subsequently concluded there must have been at least two Oswalds – the "real" one and an intelligence double. If, however, one considers that Oswald might have been controlled in the same way as Candy Jones or Luis Castillo – split into multiple personalities – another explanation for some of the conflicting descriptions of the assassin becomes credible. He might have been an excellent shot in one zombie state, and in another he might have been blocked so he could not even aim a rifle. In one state he might have had the ability to drive a car, while in another state he might have had a posthypnotic block so that he could not drive.

Oswald said he didn't kill anybody. His statement was recorded in the basement of the Dallas Police Station on the day after the assassination. Captured on film by a local CBS film crew, Oswald told reporters, "I positively know nothing about this situation here. I would like to have legal representation." In answer to an inaudible question from one reporter Oswald said, "Well, I was questioned by a judge. However, I protested at that time that I was not allowed legal representation during that very short and sweet hearing. I really don't know what this situation is about. Nobody has told me anything, except that I'm accused of murdering a policemen. I know nothing more than that. I do request someone to come forward to give me legal assistance."

"Did you kill the President?" another reporter asked.

"No," Oswald answered, "I have not been charged with that. In fact, nobody has said that to me yet. The first thing I heard about it was when the newspaper reporters in the hall asked me that question."

Ten years after Oswald made that statement, George O'Toole applied a newly developed "truth detector," the Psychological Stress Evaluator (PSE), to the soundtrack of the film which recorded Oswald's protestation of innocence. The PSE, unlike the polygraph, does not have to be connected to the body to measure stress. It measures subaudible micro-tremors in the human voice which occur whenever an individual experiences even mild anxiety or stress. The micro-tremors form a distinct pattern on the PSE chart and can then be compared to stress patterns in other parts of the statement. A deliberate lie, especially one which involves personal jeopardy, stands out clearly from the other stress patterns that might represent situational stress or vague anxiety. Oswald was in a situation of high stress that day. He had been grilled for hours by the police. He had been manhandled and accused of killing not only a police officer but also the President of the United States.

Yet the PSE analysis of Oswald's statement showed he exhibited far more stress when he was talking about not being represented by a lawyer than he did when he denied murdering the President or the police officer. George O'Toole concluded, as have many other investigators, that Oswald was innocent. He could not have been consciously involved in the assassination as a fall guy -- a patsy -- or he would have shown stress in his answers to these key questions on PSE.

Posing as a Look reporter, former CIA employee O'Toole conducted and recorded interviews with local police officials and FBI men who were the original investigators in the Kennedy case. Too many of their PSE patterns showed levels of stress which could only be interpreted as having been the result of willful deception. In his book *The Assassination Tapes*, O'Toole offers the details of his PSE analysis, and concludes, not surprisingly, there was a conspiracy behind the assassination of John F. Kennedy.

But what if he had been hypo-programmed so he could remember nothing of his involvement in the assassination plot? Then every lie-detector test in the world would prove him innocent, since consciously he would believe he was innocent. Classical conditioning or deep hypnosis is the only reliable way to defeat a lie detector, whether it be a polygraph or the more advanced PSE.

Among the evidence concealed from the commission was a CIA document obtained under the Freedom of Information Act in 1976, which quoted an unidentified CIA officer reporting to his superiors on Oswald. According to that memo, which had been written only three days after JFK's assassination, Agency officials had discussed interviewing Oswald for intelligence purposes in the early 1960's. The same document revealed that Allen Dulles had secretly coached the CIA on how the Agency should deny having any connection with Oswald. According to one of the memos, Dulles strongly recommended CIA Director Helms deny under oath that the CIA had any material in its files which suggested an Agency relationship with Oswald. Later disclosures revealed Oswald did indeed have a CIA "201 file."

In sworn testimony before the Warren Commission in 1964, Richard Helms applied the artful deception which came from a lifetime of CIA training; he testified the Agency had "never even contemplated" making any contact with Oswald prior to the assassination. That the CIA did make contact with him was never disclosed to the commission.

Despite the attempts of Allen Dulles to steer commission investigators away from other information which linked Oswald to both the FBI and CIA, the rumor that Oswald had been sent to Russia as an intelligence agent persisted.

In an attempt to scotch that rumor, Dulles told the commission it would be impossible for anyone to prove or disprove that Oswald had or had not been an agent or informer. He said, astonishingly, that Oswald could have been a CIA agent without anyone knowing about it!

During one meeting of the commission, Senator Russell asked Dulles, "If Oswald never had assassinated the president, and had been in the employ of the FBI, and somebody had gone to the FBI, would they have denied he was an agent?"

"Oh yes," the ex-CIA chief replied. "They would be the first to deny it."

"Your agents would have done the same thing?" Senator Russell asked incredulously.

"Exactly," Dulles answered.

At another juncture, John J. McCloy said he had received several inquiries about the Oswald-agent rumor. He asked Dulles point blank, "What is there to this story?"

Dulles went in circles: "This is a terribly hard thing to disprove, you know. How do you disprove a fellow was not your agent?"

"You could disprove it, couldn't you?" Congressman Boggs asked.

Dulles replied, simply, "No."

"So I will ask you," Boggs continued, "did you have agents about whom you had no record whatsoever?"

"The record might not be on paper," Dulles said. "But on paper would have been hieroglyphics that only two people knew what they meant, and anybody outside the agency would not know and you could say this meant the agent and somebody else could say it meant another agent."

The discussion then turned to U-2 pilot Francis Gary Powers. Dulles explained Powers was a different kind of agent. He had signed a contract with the CIA.

Alluding to the Oswald-CIA relationship, Boggs asked Dulles, "Let's say Powers did not have a signed contract but was recruited by someone in the CIA. The man who recruited him would know, wouldn't he?"

"Yes," Dulles replied, "but he wouldn't tell."

"Would he tell it under oath?" Chief Justice Warren wondered.

"I wouldn't think he would tell it under oath, no," Dulles replied matter of factly.

"Why?" asked Warren.

"He ought not to tell it under oath," Dulles said, offering Warren a lesson which years of legal training made him incapable of learning: the cryptocracy operates completely outside of the law and, because of the power of the "national security" rationale, it operates completely above the law.

Dulles admitted later, while responding to a question from McCloy, that a CIA operative might not tell the truth even to his own superior.

"What you do," Boggs indignantly said, "is you make our problem, if this be true, utterly impossible because you say this rumor [that Oswald was a CIA agent] can't be dissipated under any circumstances."

"I don't think it can, Dulles admitted, "unless you believe Mr. Hoover, and so forth and so on, which probably most of the people will."

Hoover, of course, had written a carefully worded response to a Commission inquiry about Oswald's FBI connections. He denied all association between Oswald and the FBI.

Also ignored by the Warren Commission was information about the cryptocracy's attempts to assassinate Fidel Castro. Dulles presumably knew about the plots which took place during his tenure with the Agency, but he remained mute. Richard Helms was the only CIA official on active duty to have direct contact with the Warren Commission, and although he provided them with information on a number of things, he volunteered nothing about the unsuccessful plots against Castro -- plots which would have been within the commission's "need to know" since they showed that the cryptocracy had practical experience in assassination planning.

Testifying before the Senate select Committee to Study Governmental Operations with Respect to Intelligence Activities, Helms revealed how the cryptocracy evaded and withheld information from the Warren Commission. His testimony illustrated the cryptocracy's contempt for the helpless commission, the American people, and above all the truth.

During the Church Committee's investigation of the CIA's involvement in assassinations, Senator Church asked Helms: "Since you had knowledge of the CIA involvement in these assassination plots against Castro, and knew it at the time... I would have thought... that ought to have been related to the Commission, because it does bear on the motives, whatever else."

Helms: "...Mr. Allen Dulles was a member of the Warren Commission. And the first assassination plot happened during his time as director. What he said to the Warren Commission about this... I don't know. But at least he was sitting right

there in [the commission's] deliberations and knew about this, and I am sure the same thought that occurred to you must have occurred to him."

Senator Morgan: "You were charged with furnishing the Warren Commission information from the CIA. Information that you thought was relevant?"

Helms: "No sir, I was instructed to reply to inquiries from the Warren Commission for information from the Agency. I was not asked to initiate any particular thing."

Morgan: "...In other words if you weren't asked for it, you didn't give it?"

Helms: "That's right sir."

Nevertheless, despite the denials of Dulles and Hoover, the rumor persisted that Oswald had defected to Russia on a clandestine mission for the CIA. Some believed he had been uncovered by the KGB and subsequently programmed like the Manchurian Candidate to return to the U.S. and act as an unconscious "sleeper agent," a programmed assassin.

Following up on this rumor, J. Lee Rankin, General Counsel to the Warren Commission, wrote a letter to CIA Director Helms requesting all information the CIA had on Russian "brainwashing" capabilities.

In response, Helms claimed there were "major methods of altering or controlling behavior," and the Soviets were interested in both. He said the first was psychological and the second was pharmacological. "The two may be used as individual methods or for mutual reinforcement," Helms wrote. "For long term control of large numbers of people the former method is more promising than the latter.

"In dealing with individuals, the U.S. experience suggests the pharmacological approach (assisted by psychological techniques) would be the only effective method."

Helms told the Warren Commission that while the Soviet drug research was extensive, it *had consistently lagged about five years behind Western research*. That was an interesting admission, for in the MKULTRA files which were declassified over a decade later the CIA was using the Soviet success in mind control to motivate our own scientific program.

Helms' memorandum told the commission the Soviets had adopted a multidisciplinary approach to mind control, integrating biological, social, and what he called "physical-mathematical research" in attempts to control human behavior in a "manner consonant with national plans."

But while attempting to tell the Warren Commission what the Soviets were up to, Helms was, at the same time, revealing the cryptocracy's own intentions. His conclusions stated "there is no evidence the Soviets have any techniques or agents capable of producing particular behavioral patterns which are not available in the West." Appended to the memorandum (Commission Document 1113, reproduced here as Appendix A) were several hundred pages of reports on Soviet mind-control techniques and an extensive bibliography on brainwashing, which for some reason remained classified even after the main body of the memorandum was declassified.

The question of whether Oswald had been hypno-programmed was raised in another context when New Orleans district Attorney Jim Garrison began his independent investigations of the Kennedy assassination.

Garrison told an anxious press he was going to crack the Kennedy case wide open: "The plain fact is that our federal intelligence agencies are implacably determined to do whatever is necessary to block any further inquiry into the facts of the assassination.

"The arrogant totalitarian efforts of these federal agencies to obstruct the discovery of the truth is a matter which I intend to bring to light when we have finished doing the job they should have done."

One of the central targets of Garrison's investigation was David William Ferrie, who was both a hypnotist and a CIA operative. Coincidentally, Ferrie had been in a New Orleans Civil Air Patrol group in the fifties with Lee Harvey Oswald. One witness said Ferrie had been the man who had instructed Oswald in marksmanship.

When New Orleans police raided Ferrie's apartment, they confiscated a number of weapons, various drugs, and three blank U.S. passports -- things that any good CIA operative would keep at his elbow. Much later researchers realized the importance of some of the evidence obtained in the raid -- several voluminous abstracts on posthypnotic suggestion and a library on hypnotism.

A salesman for the Equitable Life Insurance Company, Perry Raymond Russo, told a New Orleans grand jury that Ferrie's apartment had been the scene of many "parties" where hypnosis had been used as "entertainment." One evening, Russo said, Ferrie hypnotized a young man to whom he apparently had a strong homosexual attraction. Another evening, Russo said, he himself hypnotized a young woman and made her immobile. He stuck pins in her hand and burned her arms just to demonstrate the extent of the control he had over her.

At Russo's request, his story was tested by Garrison's investigators. Under both sodium pentothal and hypnosis, Russo told the identical story he had told to the grand jury. He testified that he had been with Ferrie, a man named Leon Oswald,

and a third man named Clem Bertrand in Ferrie's apartment during the summer of 1963. The three had discussed an assassination attempt in which diversionary tactics were to be used.

Russo quoted Ferrie as saying "there would have to be a minimum of three people involved. Two of the persons would shoot diversionary shots and the third... shoot the 'good' shot." Ferrie said one of the three would have to be the "scapegoat." He also said Ferrie discoursed on the "availability of exit," saying the sacrificed man would give the other two time to escape.

On February 23, 1967, a few days before Luis Castillo was arrested by the NBI in the Philippines, Garrison subpoenaed David Ferrie. That evening George Lardner of the *Washington Post* went to Ferrie's for an interview. Ferrie, in remarkably good spirits, told Lardner, "A President is no better than anyone else... If I were killed, I'd expect my death to be investigated just as thoroughly.

Lardner left Ferrie at 4:00 a.m. Seven hours and forty minutes later Ferrie was found in bed with a sheet pulled over his head. He had been dead for several hours.

On the dining room table was a note which read in part: "To leave this life is for me a sweet prospect. I find nothing in it that is desirable and on the other hand, everything that is loathsome."

Fifteen empty medicine bottles littered the apartment. The medicine bottles had contained a prescription drug for a vascular disorder.

Garrison immediately jumped to the conclusion that Ferrie had committed suicide because of the subpoena. The autopsy, however, revealed Ferrie had not died from an overdose of drugs, but from a ruptured blood vessel at the base of his brain.

Dr. Ronald A. Walsh, Louisiana State University School of Medicine pathologist, stated in his autopsy report that David Ferrie died of an aneurysm. Several forensic pathologists later concluded such an aneurysm could have been caused by a karate expert inflicting a blow to the back of the head in such a manner that no external damage would be discernible.

A number of Ferrie's friends began to fear for their lives. One, Jack Martin, came out of hiding long enough to suggest that Oswald had been programmed by Ferrie to go to Dallas and kill the president. Immediately following the assassination, Martin had reported to the Assistant District Attorney Herman S. Kohlman that Ferrie and Oswald had been friends, and that Ferrie had instructed Oswald in the use of a telescope sight on a rifle. But in 1963 no one followed up on Martin's story.



Another of Ferrie's friends was a Reverend Raymond Broshears, who had roomed with Ferrie three years before Ferrie's death. Broshears stated in a television interview: "David admitted being involved with the assassins. There's no question about that."

The Warren Commission must have had *some* suspicions about Ferrie, for in Volume 24, Exhibit 2038, of the *Warren Commission Report*, NBC cameraman Gene Barnes is quoted as saying, "Bob Mulholland, NBC news, Chicago, talked in Dallas to one Fairy [sic]... Fairy said Oswald had been under hypnosis from a man doing a mind reading act at Ruby's 'Carousel.' Fairy was said to be a private detective and the owner of an airplane who took young boys on flights 'just for kicks'..."

Ferrie did own an airplane, and he did work for Guy Bannister, the New Orleans private eye and CIA contract agent.

Bob Mulholland later came forward to say he had been misquoted by the Warren Report. What he had actually overheard were FBI agents saying Ferrie might have been involved in the assassination with Oswald: he had merely relayed that information to his reporters in Dallas.

In any event, there was enough substance to the David Ferrie angle to cause both the FBI *and* the Secret Service to have interviewed him immediately following the assassination. Yet there were no reports, official or otherwise, as to the outcome of that interview.

Those not disposed to believe in conspiracies against the American people by its own government might well ask, "If there is a conspiracy by a cryptocracy, why wouldn't we, by now, have proof of it? Why wouldn't there have been at least one deathbed confession by one of the conspirators?"

Two such confessions to the JFK assassination conspiracy were made and ignored.



**David W. Ferrie, 48, a figure in the New Orleans district attorney's investigation of a conspiracy to assassinate President Kennedy, was found dead in bed at his New Orleans apartment. District Attorney jim Garrison said he planned to arrest Ferrie in connection with the case. Ferrie was known to be adept at hypnosis and was an old acquaintance of Lee Harvey Oswald. Ferrie also used to fly covert missions for the CIA.**

## THE IGNORED CONFESSIONS

**O**nly an understanding of the techniques and applications of mind control could begin to bring meaning to the fragmented ramblings of Jack Ruby.

On June 7, 1964, Jack Ruby was questioned in jail in Dallas, Texas, by Earl Warren and Gerald Ford. In that session Ruby continually pleaded for a lie-detector test or for sodium pentothal. He desperately wanted to prove his honesty so Warren and the commission would know he was telling the truth.

Said Ruby: "I would like to be able to get a lie-detector test or truth serum of what motivated me to do what I did at that particular time, and it seems as you get further into something, even though you know what you did, it operates against you somehow, *brainwashes* you, that you are weak in what you want to tell the truth about, and what you want to say which is the truth."

"As I started to trial," Ruby continued, "I don't know if you realize my reasoning, how I happened to be involved -- I was carried away tremendously emotionally, and all the time I tried to ask Mr. Belli [Melvin Belli, Ruby's first lawyer], I wanted to get up and say the truth regarding the steps that led me to do what I have got involved in. But since I have a spotty background in the nightclub business, I should have been the last person to ever want to do something that I had been involved in. In other words I was carried away tremendously. You want to ask me questions?"

Warren asked Ruby to just "tell us what you want, and then we will ask you some questions."

"Am I boring you?" Ruby replied.

He pleaded with Warren to be taken to Washington where he could be questioned in safety. Possibly either his control agent was in the room, or Ruby *felt* that he

was, for again and again he hinted to Warren that he had something quite important to say but could not say it at that moment in Dallas.

"Gentlemen, unless you get me to Washington, you can't get a fair shake out of me. If you understand my way of talking, you have to bring me to Washington to get the tests. Do I sound dramatic? Off the beam?"

"No, you are speaking very, very rationally," Warren replied, "and I am really surprised you can remember as much as you have remembered up to the present time. You have given it to us in great detail."

Again Ruby pleaded with Warren: "Unless you can get me to Washington, and I am not a crackpot, I have all my senses -- I don't want to evade any crime I am guilty of." Then Ruby asked that the sheriff and the law enforcement officers leave the room, and after they were gone he said, "Gentlemen, if you want to hear any further testimony, you will have to get me to Washington soon, because it has something to do with you, Chief Warren. Do I sound sober enough to tell you this?"

"Yes, go right ahead," Warren said.

"I would like to talk to you in private," Ruby told him.

Warren seemed to miss the import of Ruby's statement. "You may do that when you finish your story. You may tell me that phase of it."

"I bet you haven't had a witness like me in your whole investigation, is that correct?" Ruby asked.

"There are many witnesses whose memory has not been as good as yours. I tell you that honestly," Warren replied.

"My reluctance to talk," Ruby went on, "you haven't had any witnesses in telling the story, in finding so many problems."

"You have a greater problem than any witness we have had," Warren retorted.

"I have a lot of reasons for having those problems," Ruby explained. Then after another exchange about going immediately to Washington, Ruby said, "Gentlemen, my life is in danger here. Not with my guilty plea of execution. Do I sound sober enough to you as I say this?"

Warren assured him he did sound sober. "From the moment I started my testimony, haven't I sounded as though, with the exception of becoming emotional, haven't I sounded as though I made sense, what I was speaking about?" Ruby asked.

"You have indeed," Warren again assured him. "I understand everything you have said. If I haven't it is my fault."

"Then I follow this up," Ruby blurted out. "I may not live tomorrow to give any further testimony. The reason why I add this to this, since you assure me that I have been speaking sense, then I might be speaking sense by following what I have said, and the only thing I want to get out to the public, and I can't say it here, is, with authenticity, with sincerity of the truth, of everything, and why my act was committed, but it can't be said here.

"It can be said, it's got to be said amongst people of the highest authority that would give me the benefit of the doubt. And following that, immediately give me the lie-detector test after I do make the statement.

"Chairman Warren, if you felt that your life was in danger at the moment, how would you feel? Wouldn't you be reluctant to go on speaking, even though you request me to do so?"

Warren again reassured Ruby that he was making perfect sense. "I wish that our beloved President, Lyndon Johnson, would have delved deeper into the situation, hear me, not to accept just circumstantial facts about my guilt or innocence, and would have questioned to find out the truth about me before he relinquished certain powers to these certain people... Consequently, *a whole new form of government is going to take over our country* [emphasis added], and I know I won't live to see you another time. Do I sound sort of screwy in telling you these things?"

"No," Warren said, "I think that is what you believe or you wouldn't tell it under oath."

"But it is a very serious situation," Ruby said, "I guess it is too late to stop it, isn't it? Now maybe something can be saved. It may not be too late, whatever happens, if our President, Lyndon Johnson, knew the truth from me... But if I am eliminated, there won't be any way of knowing.

"Right now, when I leave your presence now, I am the only one that can bring out the truth to our President, who believes in righteousness and justice. But he has been told I am certain, that I was part of a plot to assassinate the President. I know your hands are tied; you are helpless."

Earl Warren said, "Mr. Ruby, I think I can say this to you, that if he has been told any such thing, there is no indication of any kind that he believes it."

When it became apparent that Warren did not realize Ruby had intended to confess to being a part of the plot to kill President Kennedy, Ruby exploded. "I am sorry, Chief Justice Warren, I thought I would be very effective in telling you what

I have said here. But in all fairness to everyone, maybe all I want to do is beg that if they found out I was telling the truth, maybe they can succeed in what their motives are, but maybe my people won't be tortured and mutilated..."

Warren could find no meaning in Ruby's testimony. He merely assured him that neither he nor his family would be tortured or mutilated by anyone. "You may be sure of that," the Chief Justice added.

"No," Ruby answered. "The only way you can do it is if he knows the truth, that I am telling the truth, and why I was down in that basement Sunday morning, and maybe some sense of decency will come out and they can still fulfill their plan, as I stated before, without my people going through torture and mutilation."

Warren assured Ruby that the President would know everything he had said. "But I won't be around, Chief Justice," Ruby said. "I won't be around, Chief Justice," Ruby said. "I won't be around to tell the President."

Then one of the aides asked the first intelligent question of the day, "Who do you think is going to eliminate you, Jack?"

Ruby replied, "I have been used for a purpose, and there will be a certain tragic occurrence happening if you don't take my testimony and somehow vindicate me so my people don't suffer because of what I have done..."

Jack Ruby was subsequently given a polygraph test which proved to be inconclusive due to high levels of stress.

In 1965 syndicated columnist Dorothy Kilgallen interviewed Ruby in his Dallas cell. She was the only major journalist allowed to interview him. She told a few friends that from what Ruby had told her, she was able to obtain evidence which would 'blow the JFK case sky high.' Within a few days, Dorothy Killgallen died of a massive overdose of barbiturates combined with alcohol. Her apartment was found in shambles. The transcripts of her interview with Ruby were missing. Her death was ruled a suicide.

In early 1967 Ruby complained he was being poisoned. He was diagnosed as having cancer, but a few weeks after complaining of being poisoned, he died not of the cancer, but of a "stroke" similar to the one that had killed David Ferrie.

Another deathbed confession supports what Jack Ruby was trying to tell the Warren Commission. That confession was made by Professor George de Mohrenschildt, a former intelligence agent who was also a friend of Lee Harvey Oswald.

De Mohrenschildt was born in 1911 in the Ukraine. following the revolution, in 1921 he and his parents fled Russia for Poland. He attended a Polish military academy for a year, and later, in 1938, received a doctorate in international commerce. He emigrated to the United States soon thereafter and, in 1949, became a citizen.

After becoming interested in the exploration and generation of oil, de Mohrenschildt received his master's degree in petroleum engineering. Sometime thereafter he became acquainted with right-wing oil magnate H.L. Hunt. Although the basis of their relationship is unknown, de Mohrenschildt, in an interview with Dutch journalist Willem Oltmans, stated, "I knew Hunt, now the late Mr. Hunt, intimately. For some twenty years I was invited to his parties."

FBI disclosure in 1976 suggested Lee Harvey Oswald was also acquainted with Hunt. And de Mohrenschildt knew Oswald. Apparently he had introduced himself to Oswald after hearing about him through a Russian speaking group in the Dallas-Fort Worth area.

Marina Oswald told the Warren Commission: "Lee did not have any close friends, but at least he had -- here in America -- he had a great deal of respect for de Mohrenschildt... He considered him to be smart, to be full of joy of living, a very sympathetic person..."

It was the conclusion of the Warren Commission, after extensive investigation, that de Mohrenschildt had exhibited no signs of subversive or disloyal conduct. The Warren Report stated: "Neither the FBI, CIA, nor any witness contacted by the Commission has provided any information linking de Mohrenschildt to subversive or extremist organizations. Nor has there been any evidence linking them in any way with the assassination of President Kennedy."

It was subsequently revealed, however, that de Mohrenschildt had indeed been associated with various intelligence operations over the years. He was connected with French intelligence during World War II and was also linked to the CIA Bay of Pigs operation.

In late March, 1977, de Mohrenschildt's name was brought before the newly formed House Select Committee on Assassinations. Willem Oltmans told the committee that de Mohrenschildt held the key to the Kennedy assassination; that de Mohrenschildt had privately confessed to him that prior to the assassination he was aware of a conspiracy to murder the President in Dallas. According to Oltmans, de Mohrenschildt was about to have a book published which would reveal the details of his knowledge of the assassination.

After Oltmans' testimony, a spokesman for the House Committee on Assassinations said the committee would investigate his claims and would, if warranted, track down de Mohrenschildt for questioning. He was located a week

later in Palm Beach, Florida, but he could not be called to testify. George de Mohrenschildt was found dead the victim of a gunshot wound in the head. Local officials termed his death a suicide.

Following de Mohrenschildt's death, his Dallas attorney Pat Russell, supported Oltmans' claims to the Commission. He verified the fact that before his death, de Mohrenschildt had insisted that persons other than Lee Harvey Oswald had participated in the slaying of President Kennedy. The attorney revealed that he had in his possession tapes, a book length manuscript and a photograph which de Mohrenschildt had turned over to him earlier. He said the tapes consisted of ten reels of interviews with de Mohrenschildt about the Kennedy assassination, which, he claimed, were firsthand accounts of the late professor's recollections of Oswald.

Russell said although he did not know if the tapes or the book contained any new evidence, the photograph should be of particular interest to assassination investigators. He claimed that although the photo was similar to a well-known picture obtained by the Dallas police which showed Lee Harvey Oswald holding a rifle and wearing a pistol, what made the photo interesting was it was autographed on the back by Oswald and dated May 4, 1963, approximately six months prior to the assassination.

After de Mohrenschildt's death Willem Oltmans released a portion of his interview with the deceased. Oltmans described him as "Oswald's most intimate friend," and, without offering an explanation, said he had been intimate with Oswald during "the years when Oswald's brain was being programmed toward the murder or the century."

In the interview dated February 23, 1977, de Mohrenschildt told Oltmans "In June, 1976, I completed a manuscript. That's when disaster struck. You see, in that book I played the devil's advocate. Without directly implicating myself as an accomplice in the JFK assassination, I still mentioned a number of names, particularly of FBI and CIA officials who apparently may not be exposed under any circumstances. I was drugged surreptitiously. As a result I was committed to a mental hospital. I was there eight weeks and was given electric shocks and as a consequence I sometimes forget certain details temporarily..."

De Mohrenschildt went on to say that as a result of the drugs and shocks, he could take no more. "I tried to commit suicide five times... One of these days I will put a revolver to my head..."

According to Oltmans, de Mohrenschildt left Dallas in the middle of the night on March 3, 1977, telling him, "I don't want anybody to see me." Oltmans reported that at that time de Mohrenschildt was in a state of panic, constantly worried whether "they" would let him leave the country. "He always felt watched and



followed," Oltmans said. "I really cannot see how somebody who does not have anything to his would develop such behavior."<sup>104</sup>

On the day he died, George de Mohrenschildt was being interviewed by author Edward Jay Epstein for his book, *The Legend of Lee Harvey Oswald*. They broke for lunch at one o'clock and Epstein walked de Mohrenschildt to his car. They were supposed to resume the interview at three p.m., and when de Mohrenschildt didn't return, Epstein called his room and heard a distraught maid tell him de Mohrenschildt had taken his own life. De Mohrenschildt's daughter, Alexandra, told Epstein she believes her father took his own life after having had a post-hypnotic suggestion triggered by a voice over the telephone in his room.

The last days of George de Mohrenschildt sound strikingly similar to those of the victims of mind control. Could it have been that when drugs and "electric shock" failed to erase his memory, the final solution was prescribed? Or was he programmed to self-destruct?

---

<sup>104</sup> Willem Oltmans, *Atlas*, ay 1977.



**Ukraine born George De Mohrenschildt, oilman, friend of right-wing billionaire H.L. Hunt, took a phone call at his hotel room, put the phone down and fatally shot himself. De Mohrenschildt told a reporter that he had been drugged, committed to a mental hospital and given electric shocks by CIA and FBI officials he knew who were involved in the assassination of President John F. Kennedy. His daughter believes that he took his life acting upon a post-hypnotic suggestion implanted by the cryptocracy.**

## ANOTHER HYPNO-PATSY?

**O**n April 4, 1968, Nobel laureate Dr. Martin Luther King was murdered on a second floor balcony of the Lorraine Motel in Memphis Tennessee. Half of the six thousand man FBI force was assigned to the task of bringing the killer to justice.

The FBI should have had an easy job. There was an abundance of evidence left behind on the second floor of a rooming house a block from the Lorraine Motel. There were fingerprints on the window ledge of a bathroom next to a room which had been rented to an "Eric S. Galt." On the sidewalk in front of the house was a weapon, a high powered assault rifle with telescopic sight. Neighbors said they had seen a white Mustang roar away moments after the shooting.

Nevertheless, the killer got away.

A ham radio operator broadcasting from a fixed station posed as a CB operator in a Mobile unit. He broadcast a convincing account of a high speed chase between a white mustang and a blue Pontiac. He reported that the two cars were shooting at each other. While police concentrated their search in the area described by the ham operator, the white Mustang they were seeking sped away from Memphis in the other direction. The ham operator's actions were explained away by authorities as a hoax. Within a few days local police and federal authorities forgot the incident. While the use of a high powered ham radio on the eleven meter CB band and the broadcasting of false emergency information are two clear violations of the Federal Communications Code, the identity and fate of the Ham "prankster" are not known.

The FBI soon discovered the fingerprints left at the scene of the crime belonged to the man who had rented the room, Eric S. Galt. Through a computer search they later found Galt's real name was James Earl Ray.

The day after Robert F. Kennedy was assassinated in Los Angeles, James Earl Ray was captured in London. He was apprehended by British customs inspectors while attempting to leave the country on a passport issued to a Canadian constable.

Ray was quickly extradited to Tennessee for trial. The lengthy search and investigation, billed as "the most complete manhunt in history," was followed by one of the shortest trials in history. On March 10, 1969, less than one year after the assassination, Ray had his day in court, literally. By most standards his was not a trial but a deal. The deal had been arranged by Ray's attorneys, who had urged him to plead guilty so he would get ninety-nine years instead of the death penalty.

Under Tennessee law, even if a defendant enters a guilty plea, a jury is required to attend the plea and to "ratify" the plea and the sentence. In a courtroom sealed by the tightest possible security, twelve jurors heard prosecutor Canale say he would, as required by law, outline the evidence which would have been presented had the case gone to formal trial. Canale then asked the jury if they each could sit as jurors and accept the guilty plea from the defendant. They nodded in unison.

Canale told the jury: "...There have been rumors going all around -- perhaps some of you have heard them -- that Mr. James Earl Ray was a dupe in this thing, or a fall guy or a member of a conspiracy to kill Dr. Martin Luther King, Jr.

"I want to state to you, as your Attorney General, we have no proof other than that Dr. Martin Luther King Jr., was killed by James Earl Ray, and James Earl Ray alone, not in concert with anyone else. Our office has examined over five thousand printed pages of investigation work done by local police, by national police organizations, and by international law enforcement agencies. We have examined over three hundred physical bits of evidence, physical exhibits. Three men in my office, Mr. Dwyer, Mr. Beasley, and Mr. John Carlisle, the Chief Investigator of the Attorney General's Office... have traveled thousands of miles all over this country and to many cities in foreign countries on this investigation, our own independent investigation, and I just state to you frankly we have no evidence there was any conspiracy involved in this..."

The state had not charged Ray with conspiracy; it had charged him with murder in the first degree. Nevertheless the prosecutor felt compelled to deny that Ray had collaborators.

Though it was not presented at the "trial," Ray's version of the story had already been published. In a series of magazine articles written by William Bradford Huie, Ray had confessed he had been the unwitting pawn in a conspiracy to kill Dr. King.

Stranger still was the reaction of defense attorney Percy Foremen, a man who had never lost a case, to the remarks of the prosecuting attorney. As soon as Canale had finished issuing his disclaimer of conspiracy, Foremen rose and faced the jury. "It is an honor to appear in this Court for this Case. I never expected or had any idea when I entered this case that I would be able to accomplish anything except perhaps save the defendant's life... It took me a month to convince myself of that fact which the Attorney General of these United States, and J. Edgar Hoover of the Federal Bureau of Investigation announced last July, that is, what Mr. Canale has told you -- that there was not a conspiracy."

Just as the jury was about to rubber stamp "the deal," Ray rose to his feet. "Your Honor," he said, "I would like to say something... I don't want to change anything I have said, but I just want to enter one other thing. The only thing I have to say is that I can't agree with Mr. Clark."

"*Ramsey Clark?*" Foremen asked.

The Judge said, "Mr. *who?*"

Mr. J. Edgar Hoover," Ray said. "I agree with all these stipulations, and I am not trying to change anything."

The judge said, "You don't agree with *whose* theories?"

"...Mr. Canale's, Mr. Clark's, and Mr. J. Edgar Hoover's about the conspiracy. I don't want to add something that I haven't agreed to in the past," Ray answered, making sure he didn't blow the deal.

Foremen tried to explain. "I think what he said is he doesn't agree that Ramsey Clark is right, or that J. Edgar Hoover is right. I didn't argue that as evidence in this case, I simply stated, underwriting the statement of General Canale [sic] that they had made the same statement. You are not required to agree with it all."

The judge wanted nothing to sidetrack the smooth proceedings. "You still... your answers to these questions I asked you would still be the same? Is that correct?"

"Yes, sir," Ray answered.

And so the proceedings continued with Canale's presentation of a report of what would have been the evidence had this been a real trial.

After hearing from eyewitnesses that Dr. King had been killed on the balcony of the Lorraine Motel, Canale called experts from the Memphis Police Department and the FBI to testify on how they accumulated physical evidence linking Ray to the scene of the crime.

In the boarding house room which Ray (a/k/a Eric Starvo Galt) had rented, the FBI and police found a green bedspread, a pair of pliers and a hammer, some shaving articles, binoculars, beer cans, a newspaper, a T-shirt, shorts, a transistor radio, and two leather straps for binoculars. The testimony established that the white Mustang was found in Atlanta, Georgia. It had a sticker on it that indicated it had been obtained in Los Angeles, California, as had the T-shirt and shorts. In the bathroom from where the shot was supposed to have been fired, the investigators found scuff marks in the bottom of the tub. They found the window of the bathroom opened and the screen forced off.

"This [window] sill was ordered removed, was cut away and was subsequently sent to the FBI for comparison," Canale said, "and the proof would show through expert testimony that the markings on this sill were consistent with the machine markings as reflected on the barrel of the 30-06 rifle which had heretofore been introduced to you."

If this were a trial, Canale said, eyewitnesses would be called to testify that Ray had purchased the rifle in Birmingham, Alabama, that he'd stayed at a motel in that city and had checked out on the nineteenth of December and had returned to Los Angeles. Also Dr. Russell C. Hadley of Hollywood, California, would be called by the state to testify that "in his capacity as a plastic surgeon, he did perform an operation on the nose of the defendant under the name of Eric Galt on March 5, 1968."

Canale placed in evidence a photo he said was of James Earl Ray, a photo of a graduating class from the International School of Bartending.

Other evidence Canale said would have been presented in a trial was the expert testimony of FBI fingerprint analyst George Bornebreke. The fingerprint expert would testify that he found a "print of sufficient clarity on the rifle... another print of sufficient clarity for identification of the scope mounted on the rifle... a print on the binoculars... a print on the front page of the April 4th issue of the *Memphis Commercial Appeal*..." and "prints of sufficient clarity" on maps of Atlanta, Birmingham, Texas, Oklahoma, Louisiana, California, Arizona, New Mexico, and Mexico, all of which, it could be proved, were the fingerprints of James Earl Ray.

The entire presentation of the case took just under three hours. There was a recess for lunch, after which Ray was ordered jailed for ninety-nine years.

As soon as Ray began to serve his sentence he renewed his protestations of innocence and began working for a new trial. He fired attorneys Percy Foremen and Arthur Hanes, alleging he had not had a fair trial. He said he'd been "set up to take the rap" for a crime he didn't commit. At Ray's hearing on a new trial, he stated, under oath, "I personally did not shoot Dr. King, but I may have been partly responsible without knowing it."

If Ray's psychological profile made him a likely victim for anyone who might need a fall guy in a murder, he was equally well suited to be a victim of mind control. The crimes for which he had previously been tried and convicted were all robberies in which no one was harmed. They were all remarkable for one thing -- the chase that followed.

Each time Ray committed a crime, he left a trail of evidence. Each time he left the scene in either a footrace or a hair raising car chase, with outraged citizens or police or both in hot pursuit. In each crime, Ray behaved like a little boy who'd just stolen money from his father's pockets and was then daring him to catch and punish him. He was from a deprived family, the eldest of eight children. Many individuals who were once emotionally deprived children learn to seek negative attention since positive attention was unavailable to them in their formative years. James Earl Ray fit that pattern. In the opinion of a psychologist he may have committed his daring daylight robberies not out of a need for money, but out of a subconscious desire to receive love.

The only evidence which cast light on Ray's possible motive for the assassination was an eyewitness report that he had spoken passionately of his hatred of blacks in a Los Angeles bar.

A few days after Ray's sentencing, other evidence came to light which suggested the FBI had a stronger motivation than James Earl Ray to kill Martin Luther King. On November 19, 1975, the Senate Select Committee on Intelligence made public the fact that the FBI had sent a compromising tape recording with an anonymous letter to Dr. King in late 1964 in a crude attempt to blackmail him into silence. Dr. King had thought the tape and letter were an effort to drive him to suicide.

King received the package thirty-four days before he was to receive the Nobel Peace Prize. The tape was allegedly of a sexual encounter of Dr. King and a young woman. It was accompanied by an unsigned note that read, "King there is only one thing left for you to do. You know what it is. You have just thirty-four days in which to do it. (This exact number has been selected for a specific reason.) It has definite practical significance. You are done. There is but one way out for you."

A month after Dr. King received his copy of the tape, a duplicate was sent to his wife. Mrs. King said publicly she and her husband had listened to the tape together and had concluded it had nothing on it that would discredit King.

The Senate subcommittee said that at about the same time Mrs. King had received her copy of the tape, a copy was submitted to FBI Director J. Edgar Hoover. Accompanying that tape was a memorandum written by the FBI Chief of Counter-Intelligence William Sullivan. The memo suggested the FBI discredit King by "knocking him off his pedestal."

The Senate committee disclosed further that the FBI had kept tabs on Dr. King for six years prior to his death. It had instituted sixteen different wiretap operations and had planted eight room bugs in its attempts to catch him in some compromising situation which could be used for blackmail or public discreditation. The shocked Senate select committee members discovered the taps and bugs had produced "thousands of hours of tapes."

In addition, it was discovered that Hoover had ordered some of his men to rewrite reports which had originally indicated King was not a threat to the country. Those officials who were ordered to change their reports readily did so, the committee said, because they feared for their jobs.

After the Senate Select Committee on Intelligence made these facts known, Mrs. Coretta King said what she had feared to say before. She said she believed her husband had been killed by a government conspiracy.

"The way he was documented and followed around by Hoover and the CIA, when he was abroad, it [his assassination] would have to have been attached to the forces of our government that felt he was a threat to the system as it existed," said Mrs. King.

A few days after Mrs. King issued that statement, Maryland private investigator Harold Weisberg used the Freedom of Information Act to obtain previously classified FBI reports. These reports revealed that directly contrary to claims made by Canale at Ray's "trial," the FBI had been unable to find any physical evidence that a rifle had been fired from the window in Ray's rooming house, either on the weapon or in the room from which the assassin had allegedly fired. This was a crucial discovery, in that it was the rifle alone which linked Ray to the killing.

If the rifle was not fired from the second story room, then, no matter how Ray's fingerprints got on the weapon, reasonable doubt existed that Ray was the assassin. No ballistics evidence links the rifle to the bullets in King's body. The FBI's evidence, which was kept secret, had all the while pointed to the conclusion that the rifle could have been planted in front of the rooming house to implicate Ray while the real assassin had fired from a location outside the rooming house.

A few months after Weisberg's find, *Newsday* published a copyrighted story reporting that a top law enforcement official in Memphis had removed one particular black detective who had been assigned to protect Dr. King just hours before he was assassinated. The *Newsday* article suggested that Detective Ed Redditt had been pulled from his post because he had developed a contingency plan to apprehend any assassin who might make an attempt on King's life. Redditt's plan was to seal off a four block area in the event a shot was fired.



Earlier the same week, *Newsday* had revealed that the Memphis Police Department had assigned "provocateurs" to protect King. The paper charged that men who had previously participated in anti-King riots were "protecting" the civil rights leader at the moment he was shot.

The activities of James Earl Ray during the year preceding the assassination could be interpreted to suggest the possibility that Ray was a patsy in the mold of Oswald. Ray had been to Mexico, New Orleans, and Los Angeles, places which had figured prominently in the activities of Oswald and the others who were indicted by Jim Garrison.

Facts which were not presented at Ray's quick "trial" included the following: Ray had escaped from prison one year before the King assassination. Evidence indicated that he had been helped by someone in his escape. During the year he was "on the lam," he received an estimated \$12,000 from a source he identified only as "Raoul." He had no difficulty in obtaining a car and several complete sets of identification. Each set belonged to a living individual, something an intelligence agent would prefer if he were to set up a false identity. Ray had no difficulty traveling all over the United States, Canada and Mexico with his fake papers.

The contradictory history of Ray's activities in Los Angeles led private investigators to consider, as they had in the Oswald case, that there may have been two James Earl Rays. One, the James Earl Ray who had been in prison was a painfully shy fellow who seldom opened his mouth and hardly ever raised his voice. Fellow inmates found they had a hard time describing him, since he maintained such a low profile. He had been raised dirt poor, had never graduated from a school of any kind, and there is no record of his ever having expressed a political idea about anyone. In Los Angeles, the "other" James Earl Ray was described as an outgoing fellow. He enrolled in and graduated from bartending school; he became involved in an altercation with a girl in a bar who objected to his making slurs about the black race; he was very conscientious about his appearance and was an impeccable dresser, who even wore expensive alligator shoes; and he was a right-wing politician who conspicuously campaigned for George Wallace.

One other bit of evidence gives unity to the contradictions -- Ray had been hypnotized while in Los Angeles.

It was not mentioned in Ray's "trial," but at the time of his arrest in London, he had in his possession three books on hypnotism: *Self-Hypnotism: The technique and its use in Daily Living* by Leslie M. LeCron, *How to Cash In on Your Hidden Memory Power* by William D. Hersey, and *Psychocybernetics* by Dr. Maxwell Maltz. Ray had told William Bradford Huie, "I took a course in Hypnosis while in

L.A. I had read a lot about in prison on how it was used in dentistry and medicine."

On November 27, 1967, Ray appeared in the office of Dr. Mark Freeman, a psychologist who practiced in Beverly Hills. Dr. Freeman remembered that Ray, who'd given his real name, asked to be hypnotized because he wanted to sleep better and remember things better.

"This fellow really wanted to improve his mind," Dr. Freeman said. "He had an awe of learning. He had a bent for reading. He didn't fight hypnosis. He learned something."

Dr. Freeman told George McMillan, author of *The Making of an Assassin*, "You've got to keep in mind that I get a lot of angry people around here. A lot of people who come to me want to teach me how to do it. I get a lot of rough stuff around here. I mean psychotic, that stuff. But I couldn't pick up on any of that with Ray. He made a favorable impression on me. He was a good pupil. I'd show him how to go under, and pretty soon he'd be lying on the couch on his back and start talking. I taught him eye fixation, bodily relaxation, how to open himself to suggestion. I gave him lots of positive feelings of confidence."

It may have been that Freeman found Ray so suggestible because he had been hypnotized before. His contact with Freeman and other hypnotists (he told Huie he'd been to as many as eight) may have been prompted by an unconscious urge to undo what had already been done to him -- hypnotically induced multiple personalities, one which was programmed to kill upon command, or merely one which was programmed to run away, following his normal pattern, but this time on command. It's easy to program someone to do under posthypnotic cue what he normally does. And it's a lot easier to program a patsy than it is to program a hit man.

(NY2-April 20)-COULD BE THE SAME MAN-Eric Starvo Galt, sought in the slaying of Dr. Martin Luther King Jr., is shown at right in picture released by the FBI Wednesday with the eyes painted in by an artist. James Earl Ray, a prison escapee, is shown in the other pictures. The FBI said yesterday that Galt and Ray were the same man. Ray is shown at left in a 1959 St. Louis police photo, second from left in a photo released by the FBI and dated 1960 and second from right in a 1966 Missouri penitentiary picture. (AP Wirephoto) (See AP Wire Stories) (sds70600rls) 1968



This strip of photos was circulated when James Earl Ray was a fugitive/suspect in the King assassination. One employee of a psychiatrist who specializes in treating DID patients looked at the strip without knowing who it was and said, "This obviously must be a Multiple Personality Disorder patient."



## ***CONFESSION BY AUTOMATIC WRITING***

**T**he circumstances of Robert Kennedy's death are well known. On June 5, 1968, at 12:15 a.m., Sen. Robert Kennedy was shot in the pantry of the Ambassador Hotel in Los Angeles. Karl Uecker grabbed the gun, a .22 caliber Iver-Johnson revolver. It was smoking in the hand of Sirhan Beshara Sirhan, a Palestinian refugee.

The Los Angeles police immediately took Sirhan into custody. At first they appeared to be taking every precaution so they wouldn't make the same mistakes the Dallas police had made. They taped every interrogation session with the suspect and kept him under surveillance through a closed-circuit TV camera in his cell. They took every measure to protect the life of this man, the second "lone nut" to gun down a Kennedy.

Trying to avoid anything which would be an infringement on the rights of the alleged assassin, the police carefully informed Sirhan of his legal rights before trying to interrogate him.

Through the first hours of questioning, Sirhan chose to remain silent. For some time, no one knew who the curly-haired, swarthy man in custody was.

It wasn't until the police found a truck in the parking lot of the hotel, and traced it to Sirhan Beshara Sirhan, that they were certain of his identity. Police immediately went to his house and searched his bedroom. On the floor next to Sirhan's bed was a large spiral notebook. On the desk was another notebook. There was a third small notebook, a good deal of occult literature, a brochure advertising a book on mental projection, and a large brown envelope from the Internal Revenue Service on which someone had written, "RFK must be disposed

of like his brother was." At the bottom of the envelope was scrawled "Reactionary."

In one of the notebooks there was a page which was used later in the trial to prove premeditation: "May 18, 9:45 a.m. -- 68. My determination to eliminate RFK is becoming more the more of an unshakable obsession... RFK must die -- RFK must be killed Robert F. Kennedy must be assassinated... Robert F. Kennedy must be assassinated before 5 June 68 Robert F. Kennedy must be assassinated I have never heard please pay to the order of of of of of of of of of this or that pleas pay to the order of..." Also drawn on the page were spirals, diamonds, and doodles.

While Los Angeles mayor Sam Yorty ignorantly told the press Sirhan was a "member of numerous Communist organizations, including the Rosicrucians," Sirhan's neighbors told a different story. One said he was "very religious." Another reported that he was "just a normal kid." He took cars and bikes apart and put them back together again." Neighborhood kids said he was "nice." When asked if Sirhan was the angry type, a black girl in his Neighborhood said, "He didn't show it." Arthur Bean, another neighbor said, "Someone talked that kid into gunning down Kennedy."

When Irwin Garfinkel, a deputy attorney in the public defender's office, asked Sirhan about the shooting, he said, "I don't remember much about the shooting, Sir. Did I do it? Well, yes, I am told I did it. I remember being at the Ambassador. I was drinking tom collinses. I got dizzy. I went back to my car so I could go home. But I was too drunk to drive. I thought I'd better find some coffee. The next thing I remember I was being choked and a guy was twisting my knee."

George Plimpton, editor of the *Paris Review*, was in the hotel pantry when Kennedy was shot. He was one of the men who wrestled Sirhan down. According to *Newsweek*, Plimpton "offered some eloquent testimony that appeared to some to support the defense's contention that Sirhan Beshara Sirhan had, in fact, been in a 'trance' during the shooting. 'He was enormously composed,' recalled Plimpton. 'Right in the midst of this hurricane of sound and feeling, he seemed to be almost the eye of the hurricane. He seemed purged.'"

The chief counsel for the Los Angeles chapter of the American Civil Liberties union, A.L. Wirin, went to Sirhan's defense within hours of his arrest. On his second meeting with the accused, Wirin brought the local papers with him. Sirhan read the headline "KENNEDY'S DEAD," then he dropped his head in grief. After fighting to control his emotions, he looked at Wirin through tear-filled eyes and said, "Mr. Wirin, I'm a failure. I believe in love and instead of showing love..." Then, Wirin recalled, "he muttered something about having betrayed his own primary beliefs."

That night, Sirhan complained of being sick. He became very dizzy and had severe stomach cramps, just as had Castillo and Candy Jones. For several weeks Sirhan was given a half grain of phenobarbital at night to help him sleep.

The Los Angeles police went through the motions of looking into the possibility that a conspiracy was behind the RFK assassination. They looked for the girl in the polka-dot dress who witnesses said had been standing next to Sirhan, smiling and talking to him just before he began shooting in the pantry. Sirhan also said he'd been talking to the girl after he'd drunk several tom collinses. The girl in the polka-dot dress was not found, and conflicting statements cast doubt on whether there had ever been such a girl. Forty-five "top men" from the Los Angeles Police Department (LAPD) were assigned the job of tracking down all leads to a conspiracy, but incredibly, they came up empty handed.

A bag of women's clothing, which included a polka-dot dress and new undergarments, was found by the LAPD in an alley, but police could not find out who'd bought them or who'd worn them. According to Sirhan's biographer Robert Blair Kaiser, "...The police and FBI hardly did all they could [to find the owner of the polka-dot dress]. They used faulty logic and browbeat witnesses to eliminate the girl in the polka-dot dress."<sup>105</sup>

To penetrate Sirhan's amnesia, the defense decided to call in an expert hypnotist, Dr. Bernard L. Diamond of the University of California. Diamond was the associate dean of UCLA's School of Criminology and a professor of both law and psychiatry. No one knew more about law, psychiatry, and hypnosis than Diamond in those days.

In a prehypnosis interview, Diamond asked Sirhan to tell him about his notebooks, and Sirhan said he couldn't recall writing them.

Diamond asked if he thought what he had done helped things, and Sirhan said, "I'm not proud of what I did."

"What do you mean, you're not proud of it?" Diamond asked him. "You believe in your cause, don't you?" (Sirhan had been contacted by Arab sympathizers and others who insisted the reason he'd killed Kennedy was out of sympathy for the PLO.)

"I have no exact knowledge, sir, that this happened yet. I'm all, it's in my mind, but goddamn it, when my body played with it... I couldn't understand it. I still don't believe it. My body outsmarted my brain, I guess."

"What did your body do?" Diamond asked.

---

<sup>105</sup> Robert Blair Kaiser, *R.F.K. Must Die*, 2nd ed. (New York: Dutton, 1970)

"Pulled that trigger," Sirhan said.

"Does your body remember it, even if your mind doesn't?"

"I don't give a damn, Sir, in a way. Now I don't even care," Sirhan said.

Diamond asked Sirhan if he'd thought about suicide.

"Hell, no," Sirhan said, "I couldn't do that."

Then Diamond expressed a thought which contained a significant "Freudian slip."  
"Why didn't you turn the gas on yourself, ah, why didn't you turn the gun on yourself after you killed Kennedy?"

Sirhan waved his hand in front of his face. "It was all mixed up. Like a dream."

Diamond hypnotized Sirhan on six of eight visits. At one point, reliving the killing, Sirhan grabbed at his belt on the left side. Until then police had no idea where he'd carried the weapon. Under hypnosis Sirhan also created writings similar to those in his notebooks.

In one session Diamond had Sirhan climb the bars of his cell like a monkey. After he'd been brought out of trance, Sirhan explained the reason for his climb. He said he was only getting exercise. Then Diamond played the tape to prove to Sirhan that he, Diamond, had given the instructions to Sirhan to climb the cage. But Sirhan denied that he'd done it because he'd been hypnotized.

At the trial Dr. Diamond, acting as the director of Sirhan's defense, testified that Sirhan was a paranoid schizophrenic. His testimony was supported by several other doctors who had examined the psychiatric "evidence" obtained from tests, interviews and hypno-interviews conducted by Dr. Diamond.

Dr. Diamond did not consider that Sirhan had been other than self-programmed. Having worked for the Army Medical Corps in World War II, he apparently hadn't had the need to know that the U.S. cryptocracy developed mind control and used it to control the political destiny of the nation.

Sirhan was given yet another battery of tests by Dr. Eric Marcus, a court-appointed psychiatrist for the defense. Among the tests was the Minnesota Multiphasic Personality Inventory (MMPI), which contains more than 500 questions requiring true-false answers. Psychologists interpret the answers to the MMPI according to a set of statistical norms. Two of Sirhan's non responses were significant, since usually nonresponses are considered to be more important than the "yes-no" responses. The questions Sirhan did not respond to were: 291. At



one or more times in my life, I felt that someone was making me do things by hypnotizing me..." and 293. Someone had been trying to influence my mind."

By the second visit, Dr. Marcus had time enough to familiarize himself thoroughly with Sirhan's notebooks. On one page of the notebooks Sirhan had written: "I advocate the overthrow of the current President of the fucken United States of America. I have no absolute plans yet, but soon will compose some. I am poor -- this country's propaganda says she is the best country in the world -- I have not experienced this yet -- the U.S.-- says life in Russia is bad... I believe the U.S. is ready to start declining, not that it hasn't -- it began in November 23, '63, but it should decline at a faster rate so the real Utopia will not be too far from being realized during the early seventies in this country."

In one of the notebooks the name "Peggy Osterkamp" was written over and over. "I love you, Peggy," in one place and in another, "Peggy Osterkamp Peggy Osterkamp Peggy Osterkamp Peggy Sirhan."

When Dr. Marcus asked Sirhan who Peggy Osterkamp was, he said she was just a girl he'd met a few times at the ranch where he'd worked as an exerciser of horses. Dr. Marcus asked Sirhan if he'd ever dated her, and Sirhan told Marcus the story he'd told the public defender the night of the assassination.

That night, Sirhan said he had gone to a shooting range and practiced with his pistol until the range closed. Then he went with a friend, a foreign student named Mistri, to get a hamburger at Bob's Big Boy Restaurant. While eating, they talked about horses. For some reason Sirhan showed his friend a pocketful of bullets. He then was given a current newspaper and in it he read a news item about a Zionist rally in Hollywood. He became very angry over this and made up his mind to go to the rally. When he could not find that rally, he wandered into the campaign headquarters of Senator Kuchel and there heard there would be a party at the Ambassador Hotel nearby.

When he got to the hotel he was fascinated by the television lights. He went to the bar and ordered two tom collinses. He got dizzy and said to himself that he'd better go home. He was reluctant to drive in his drunken condition and the next thing he remembered was being choked in the pantry of the Ambassador Hotel.

Dr. Marcus didn't buy Sirhan's amnesia. He thought it was only a convenient cover-up, and that Sirhan was a paranoid. In his testimony at Sirhan's trial, Dr. Marcus selected another page from Sirhan's notebook to illustrate his psychological evaluation. On June 2, 1967, Sirhan had written:

A Declaration of War Against American Humanity... when in the course of human events it had become necessary for me to equalize and seek revenge for all the inhuman treatment committed against me by the American people. The manifestation of this Declaration will be executed by its supporter(s) as soon as he is able to command a sum of money (2,000) and to acquire some firearms -- the specification of which have not been established yet.

The victims of the party in favor of this declaration will be or are now -- the President, vice, etc. -- down the ladder. The time will be chosen by the author at the convenience of the accused. The method of assault is immaterial -- however, the type of weapon used should influence it somehow. The author believes that many in fact multitudes of people are in harmony with his thoughts and feelings.

The conflict and violence in the world subsequent to the enforcement of this decree shall not be considered likely by the author of this memoranda, rather he hopes that they be the initiatory military steps to W. W. III -- the author expresses his wishes very bluntly that he wants to be recorded by history as the man who triggered off the last war...

In mid-August Sirhan's notebooks were analyzed by the FBI crime lab in Washington. The pages were subjected to photo and chemical analysis to establish when each had been written and in what order. The FBI experts concluded that Sirhan had penned the notes in a haphazard fashion, skipping around in the books. The two pages dated June 2, 1967, and May 18, 1968, the lab said, had actually been written on those dates. An overview of the notes shows that Sirhan had been concerned with three things that appeared over and over in the writing: money, the girl Peggy Osterkamp, and a new Mustang, in that order of importance -- as determined by the number of times each was mentioned. Several times he had written, "please pay to the order of..." but when asked about this he could not remember what it meant. He had written, "Today I must resolve to come home in a new Mustang. Today I must resolve to come home in a new Mustang. Mustang. Mustang. Mustang."

The FBI and the LAPD located Peggy Osterkamp. She was a tall, willowy blonde, the attractive daughter of an affluent dairyman. A horse lover, she had once worked at the ranch where Sirhan worked. She said she knew him only slightly and had been introduced to him at the Pomona Fair in 1966. She said she had never dated him.

On one page of the notebooks Sirhan had written, "Tom, My warmest salutations. I do not know what has prompted you to write to me..." And on another page he'd written, "Hello Tom perhaps you could use the enclosed \$." On yet another page Sirhan had written: "11 o'clock Sirhan 11 o'clock Sirhan Sirhan 11 o'clock Sirhan Livermore Sirhan Sirhan Pleasanton... Hello Tom racetrack perhaps you could use the enclosed \$."

The FBI guessed that Sirhan had been writing about Walter Thomas Rathke, his first employer at the racetrack. The FBI found him working as a groom at the Pleasanton Race Stables, just east of Oakland.

Rathke told investigators he had known Sirhan, and that they'd compared notes on the occult. He said he'd written Sirhan twice and had asked him if he needed any money. Later it was discovered that Rathke had far more influence over Sirhan than he cared to admit, but the LAPD and FBI dropped him as uninteresting.

In addition to examining the bizarre notebooks, investigators also made note of Sirhan's unusual behavior after the assassination. Sirhan, like Candy, had a "thing" about mirrors. In his cell he'd stare into a little mirror for hours on end. He also practiced concentrating on candle flames, trying to turn them from red to blue to green. And he was apprehensive about drugs.

When asked by his biographer Robert Blair Kaiser if he thought he'd get the death penalty, Sirhan shrugged and said, "A death penalty would only be vengeance. What would it gain?" After another pause he added, "I know I've killed a man. At least, I'm told of it. I have nothing in my conscience about it, but... I'm told I killed a man, so deserve some punishment, but maybe I could serve humanity by working ten years in a hospital to pay my debt you might say." Later Sirhan said flatly, "I don't regard myself as a criminal."

Kaiser reported, "Sirhan talked about Gandhi, and the black revolution." He identified with both. "The Negroes," he said, "can see everything, but they can't get it. Their only solution is to dig in and eat it." Immediately Sirhan added: "I wanted a new car. I always wanted a Mustang.<sup>106</sup> I said, 'All I need is money and how am I gonna get it?' They're not giving Mustangs away." Was Sirhan implying he killed Kennedy for money?

The court ordered that Sirhan be fully tested to see what his mental state really was. They gave him an electroencephalogram to see if by chance his brain had been damaged by a fall he'd taken from a horse two years earlier. The EEG showed Sirhan had a normal brain-wave pattern. Then, just to determine if the alcohol had any effect on the pattern, the doctor, who'd obtained the recipe for

the Ambassador Hotel's tom collins, gave Sirhan the equivalent of four drinks and measured his brain patterns again. Still there was nothing unusual in them.

But even though the EEG showed no unusual brain activity, Sirhan got very drunk and shivered violently for ten minutes. He became irrational, agitated and restless. He screamed out curses.

When someone told him, "Dr. Marcus is here," Sirhan screamed, "Get that bastard out of here!" The doctor ordered Sirhan taken back to his inner cell, and Sirhan seemed confused. "What the hell is going on here?" he asked, then grabbed his throat violently (as Castillo had), and appeared to be choking. The doctor noted that he was in a state of delirium.

Robert Kaiser again asked Sirhan about his notebooks and Sirhan explained everything he could about them. He said that they were writings about the occult, that he had been studying the objective mind in relation to the universal mind. "If you give your subjective mind an intense command by your objective mind, your subjective mind will gather the information to carry out the commands of the objective mind..."

Sirhan said that he'd been sitting in front of a mirror after he'd seen a replay of Robert Kennedy on television reporting in 1948 on the Arab-Israeli war in Palestine. "I concentrated on RFK in the mirror," he said. "I had to stop him. Finally, his face was in that mirror instead of my own. Then I went to my notebook and started writing. It was part of the auto-suggestion necessary to get my subjective mind to get my objective mind moving. I read in the Rosicrucian magazine how if you wanted to do anything you should write it down. It automatically works toward the realization of what you want.

"With that power," Sirhan said with intensity, "I could have been a millionaire! A millionaire! Ohh shit!"

"Why did I not go to the races that day?" Sirhan asked Kaiser. "Why did I not like the horses? Why did I go to that range? Why did I save those Mini-Mags [the high powered bullets used on Kennedy]? Why did I not expend those bullets? Why did I go to Bob's? Why did Mistri give me that newspaper? Why did I drink that night? It was," he said, "like some inner force."

"But you wrote in your notebook 'RFK must die,'" Kaiser said.

"After the bit with the mirror," Sirhan told him, "Forgot it all. The idea of killing Kennedy never entered my mind, sir."<sup>107</sup>

During Sirhan's trial for murder, the judge refused to authorize the use of lie detectors or truth serum. Sirhan like Ray, was quickly "put away" for life.

There were those, however, who refused to let the matter rest. In 1973, while Sirhan sat in prison, Dr. Edward Simpson, the San Quentin prison psychiatrist, submitted an affidavit to the California courts requesting Sirhan be granted a new trial and the Robert Kennedy case be reopened.

Dr. Simpson testified that the "expert" psychiatric- psychological testimony at Sirhan's trial was full of numerous factual errors and misleading to the jury. "Most of the doctors testifying," Simpson said, "saw their role as proving why Sirhan killed Kennedy, which required a focus on pathology (mental illness) that I found does not exist. They failed to consider the real facts in a more objective light and failed to consider the possibility, clearly suggested by the ballistic testimony and Sirhan's own testimony under close scrutiny, that perhaps Sirhan did not kill Robert F. Kennedy."

"Sirhan's trial," Dr. Simpson wrote, was not handled properly by the mental health professionals. In retrospect, a close study of the trial testimony and my own extensive study of Sirhan leads to one irrevocable and obvious conclusion: Sirhan's trial was, and will be remembered, as the psychiatric blunder of the century."

Dr. Simpson knew whereof he spoke. For six years he had worked at San Quentin Prison and had made a study of men on Death Row. For two years he'd been in charge of the prison's psychological testing program. In 1969 he interviewed and tested Sirhan extensively during twenty weekly visits. After these visits were terminated, Sirhan requested that his family contact Simpson for the purpose of reviewing the psychiatric testimony given at his trial.

After examining Sirhan, and reviewing the "expert" psychiatric testimony, Dr. Simpson discussed his findings with the prison's chief psychiatrist, Dr. David G. Schmidt. Together they concluded their findings did not confirm "but in fact were strictly in conflict" with the findings reported at Sirhan's trial.

"Nowhere in Sirhan's test response," Dr. Simpson said in the affidavit, "was I able to find evidence that he is a 'paranoid schizophrenic' or 'psychotic' as testified by the doctors at the trial... The fact is, paranoid schizophrenics are almost impossible to hypnotize. They are too suspicious and do not trust anybody, including friends and relatives, not to speak of a hypnotist from, for him the most hated race. Psychotics in general are among the poorest subjects for hypnosis. They cannot concentrate, they do not follow instructions and basically do not

trust. Sirhan, however, was an unusually good hypnotic subject. Sirhan asked me to hypnotize him, which I did not do, in order not to contaminate my test findings with fantasies. He himself had manufactured a hypno-disk, and was practicing self-hypnosis in his cell, an activity requiring considerable self control which no psychotic has. The fact that Sirhan was easy to hypnotize, as testified by Dr. Diamond, proves he was not a paranoid schizophrenic.

"Dr. Diamond," Simpson continued, "used hypnosis in six sessions out of eight with Sirhan. What was the purpose of it? To plant ideas in Sirhan's mind, ideas that were not there before? To make him accept the idea that he killed Robert F. Kennedy?"

"When Dr. Diamond was unable to get Sirhan to admit he wrote the notebooks, he testified '... so I undertook some experiments on possible hypnotic suggestion.' This admission strongly suggests the possibility of hypnosis being used for implanting hypothetical ideas in Sirhan's mind, rather than uncovering facts... A lie detector, not hypnosis, should have been used in finding out whether Sirhan killed Robert Kennedy.

"Why was a lie detector not used? It should have been, as it is much more reliable than hypnosis, which often provided contaminated results... Dr. Diamond's testimony is wrong, as he states: 'I have very little or no faith in the accuracy [of a lie detector].' The truth is, the polygraph exceeds in accuracy certain techniques, such as hypnosis, that tend to fuse and contaminate experiences from past and present and also can be influenced significantly by the operator [hypnotist]; it makes a significant difference who the hypnotist is..."

In 1975 when the California investigation into the RFK killing was briefly reopened, the public learned that crucial physical evidence, such as ceiling tiles from the hotel pantry and bullet fragments, had been destroyed or lost by the LAPD. And, as in the Oswald case, critical testimony had been ignored. [The above testimony, of Dr. Simpson, pointed to the possibility that Sirhan was a hypno-programmed assassin.]

Also in 1975, seven years after the crime, former high ranking U.S. intelligence officer and one of the developers of PSE, Charles McQuiston, analyzed recordings of Sirhan's interview with psychiatrists in San Quentin.

Sirhan said, "To me, sir, he [Kennedy] is still alive... I still don't believe what has happened... I don't believe he is dead. I have no realization still that I killed him, that he is in the grave." McQuiston's PSE analysis showed that on this statement Sirhan exhibited very little stress.

"After analyzing the tapes," McQuiston said, "I'm convinced that Sirhan wasn't aware of what he was doing. He was in a hypnotic trance when he pulled the trigger and killed Senator Kennedy... Everything in the PSE charts tells me that someone else was involved in the assassination -- and that Sirhan was programmed through hypnosis to kill RFK. What we have here is a real live *Manchurian Candidate*."<sup>108</sup>

After examining Sirhan's PSE charts, Dr. John W. Heisse, Jr., president of the International Society of Stress Analysis agreed with McQuiston. Dr. Heisse, who had studied hundreds of people under hypnosis using the PSE, said, "Sirhan kept repeating certain phrases. This clearly revealed he had been programmed to put himself into a trance. This is something he couldn't have learned by himself. Someone had to show him and teach him how.

"I believe Sirhan was brainwashed under hypnosis by the constant repetition of words like 'you are nobody, you're nothing, the American dream is gone' until he actually believed them. At that stage someone implanted an idea, kill RFK, and under hypnosis the brainwashed Sirhan accepted it."

Dr. Herbert Spiegel, who wrote the introduction to *The Control of Candy Jones*, has been billed as one of the country's leading medical experts on hypnosis. Spiegel said of Sirhan's case: "It's very possible to distort and change somebody's mind through a number of hypnotic sessions. It can be described as brainwashing because the mind is cleared of its old emotions and values which are replaced by implanting other suggestions... This technique was probably used with Sirhan. From my own research, I think Sirhan was subjected to hypnotic treatment."

Even in the early days of the investigation, there were those who found it easy to believe the hypno-programming theory. Among them was writer Truman Capote, who had for a long while been a friend of Jacqueline Kennedy and her sister Lee Radziwill. After writing his best seller *In Cold Blood*, Capote was regarded as something of an expert on murder. On the NBC "Tonight" show Capote suggested Sirhan and his accomplices had been intensively trained and brainwashed trigger men. Their purpose, Capote proposed, was to drive the United States to its knees by assassinating all its leaders.

According to Robert Blair Kaiser, "With a little more diligence than they exercised, and a great deal more intelligence than they had, the police might have established links between Sirhan and the underworld, between Sirhan and the right wing, between Sirhan and the left wing, between Sirhan and Al Fatah..."<sup>109</sup>

---

<sup>108</sup> Charles McQuiston, *National Enquirer*, October 20, 1975  
<sup>109</sup> Kaiser, *op. cit.*

But neither the police nor the FBI showed any interest in Sirhan's "connections" -- perhaps because there were so many. Like Lee Harvey Oswald, Sirhan was a contradiction. He could be linked to many different groups, all of which could easily have had a political motive to kill Robert Kennedy. So the LAPD did the same thing the Warren Commission did; it took what evidence it needed to prove its case for a "lone nut" and ignored the rest.

Defense director Diamond, subsequently explaining his tactics in Sirhan's trial, said he was surprised when he first tried to hypnotize Sirhan. "Most people may take an hour or more to go under hypnosis the first time," Diamond said. "A schizophrenic usually takes much longer, if he goes under at all. But it took less than ten minutes for Sirhan to go into a deep authentic sleep."

Sirhan, Dr. Diamond concluded, had obviously had experience with hypnosis before. He found Sirhan was reluctant to speak under hypnosis but that he could easily write without being posthypnotically blocked. "Writing under hypnosis is called automatic writing," Diamond said, "and the term aptly describes the way Sirhan would write like a robot and keep on repeating a word or phrase until I stopped him."

Taking a sheet of a legal pad lying nearby, Diamond asked Sirhan to write his answers to the questions put to him in the hypnotic trance. He showed Sirhan a sample of his diary page.

"Is this crazy writing?" Diamond asked.

"YES YES YES," Sirhan wrote.

"Are you crazy?" Diamond asked

"NO NO," Sirhan wrote.

"Well why are you writing crazy?" Diamond asked.

"PRACTICE PRACTICE PRACTICE," Sirhan responded.

"Practice for what?" Diamond asked.

"MIND CONTROL MIND CONTROL MIND CONTROL" is what Sirhan wrote.<sup>110</sup>



Perhaps now, looking back, we can understand more about Sirhan from David. David was a good Air Force candidate for mind control: He was an obedient soldier, penitent, and patient. His amnesia, you'll recall, was so total, so complete, that it took years of psychotherapy to restore his memory. This is what he had to say on the subject of forgetting and remembering:

"The air force used hypnosis for opening up my subconscious mind. It's the subconscious mind that remembers everything. That was the way it was explained to me. The subconscious mind must trust the person who is conditioning it. So if a person gets another's subconscious mind to trust them, then that subconscious mind will tell them everything it has seen or heard from the day it was born even back to when it was in its mother's womb.

"So under a voice or word command the information can be brought out once the subconscious has been conditioned to respond to the right command. It might respond to one voice or a group of voices. I'd be given a certain cue and I would remember what I was supposed to remember. I was tested constantly. And then, when the meeting was over, I would be unable to remember, and automatically my subconscious would close.

"The cue command would be at the beginning of a meeting. I don't think you need a dual command. I think you need only a command to start, then once something is finished, the process stops automatically. During the training period I'd do whatever I wanted for a couple of days, then go back and the next thing I knew I was remembering the computer numbers again. A word would be said and I'd just begin remembering. They'd give a command, and if your subconscious has really trusted the person conditioning you, that triggers the memory. I don't know who the person I trusted was, because I was usually only talking to the tape recorder. I was actually thinking I was talking to someone that was very close. That would be the person who'd listen to the tape I guess.

"Really I was talking to myself, but behind this was that person -- no name, no face, just that friendly trustworthy person who had conditioned me. And at the same time it was myself. Who would I trust more than myself?

"They must have told me that after I got out of the service I'd be unable to remember anything of a sensitive nature. I suppose they told me in a way that made it acceptable. But I don't think I ever thought I would have the problems which resulted from loss of my memory... When you can't remember things in sequence about your life, you have no idea what that does to you. It interferes with your whole identity."

Considering the connections between Cuba or Cubans and Lee Harvey Oswald, Jack Ruby, James Earl Ray's Latin accomplice "Raoul," and Luis Castillo's Cuban Intelligence training one cannot help but wonder whether a variation on a scenario written in 1943 by hypnotist George Estabrooks wasn't being played out in the assassinations.

In his book *Hypnotism*, Estabrooks outlined a plan in which suddenly the Cubans had become belligerent and were "building a great naval base at Havana, an obvious menace to our overseas trade." He suggested that a Cuban oil executive be hypno-programmed to spy on the Cuban government. "Neither he nor the group in question (his oil company) need know anything of the arrangements. The instructions to his unconscious in hypnotism are very definite. Find out everything possible about the naval base. He is shown maps of this before he goes and coached as to just what is important. Nor is he ever allowed to submit written reports. Everything must be handed on by word of mouth to one of the very few individuals who are able to hypnotize him... Under these circumstances we may count on this man doing everything in his power to collect the information in question."

Estabrooks explained: "There are certain safeguards if we use hypnotism. First, there is no danger of the agent selling out, but this would probably not be of great importance in this particular case. More important would be the conviction of innocence which the man himself had, and this is a great aid in many situations. He would never 'act guilty' and if ever accused of seeking information would be quite honestly indignant. This conviction of innocence on the part of a criminal is perhaps his greatest safeguard under questioning by authorities. Finally, it would be impossible to 'third degree' him and so pick up the links of a chain. This is very important, for the most hardened culprit is always liable to 'talk' if the questioners are but ruthless enough."

Then Estabrooks expanded his point: "Far more useful than the foregoing purpose, however, would be that for a counterespionage service, built along the same lines. This would require both care and time to perfect, but once working it might prove extremely effective. Here the best approach would probably be through those of enemy alien stock within our own gates. Once again let us choose the aggressive Cubans as examples. In the event of war, but preferably well before the outbreak of war, we would start our organization. We could easily secure (say) one hundred or one thousand excellent subjects of Cuban stock who spoke their language fluently, and then work on these subjects.

"In hypnotism we would build up their loyalty to this country; but out of hypnotism, in the 'waking' or normal state we would do the opposite, striving to convince them they had a genuine grievance against this country and encouraging them to engage in 'fifth column' activities. Here we would be

coming very close to establishing a case of 'dual personality.' There is nothing at all impossible in this. We know that dual, and even multiple, personality can be both caused and cured by hypnotism. Moreover, that condition, the Dr. Jekyll and Mr. Hyde combination, is a very real one once it is established.

"They would, as we before said, be urged in the waking state to become fifth columnists to the United States, but we would also point out to them in hypnotism that this was really a pose, that their real loyalty lay with this country, offering them protection and reward for their activities. Through them we would hope to be kept informed of the activities of their 'friends,' this information, of course being obtained in the trance state."

As to the possibility of hypno-programming assassins, Estabrooks wrote: "Strange to say, most good subjects will commit murder. In the writer's opinion there can be very little doubt on this score. They commit a legal, but not an ethical murder, so to speak. For example, we hypnotize a subject and tell him to murder you with a gun. We hand him a loaded revolver. In all probability he will refuse. Frankly for very obvious reasons, the writer has never made the experiment. Corpses are not needed in psychological laboratories."

That, Estabrooks suggests, best be left to the intelligence agencies. And now we know they took up the challenge.<sup>111</sup>

---

<sup>111</sup> Seymour Fisher, *The Use of Hypnosis in Intelligence and Related Military Situations*.

# HOW TO HYPNOTIZE



**IT'S EASY TO  
HYPNOTIZE...**

*when you know how!*

**W**ANT the thrill of imposing your will over someone? Of making someone do exactly what you order? Try hypnotism! This amazing technique gives full personal satisfaction. You'll find it entertaining and gratifying.

The Master KEY TO HYPNOTISM shows all you need to know. It is put so simply, anyone can follow it. And there are 24 revealing photographs for your guidance.

### SEND NO MONEY

**FREE** ten days examination of this system is offered to you if you send the coupon today. We will ship you our copy by return mail, in plain wrapper. If not delighted with results return it in 10 days and your money will be refunded. Stravon Publishers, Dept. HD, 113 West 57th Street, New York 19, N. Y.

## Mail Coupon Today

STRAVON PUBLISHERS

Send MASTER KEY TO HYPNOTISM in plain wrapper

Send C.O.D. I will pay postman \$1.00 plus postage

Enclose \$1.00. Send postpaid. If not delighted, I may return it in 10 days and get my money back.

Name \_\_\_\_\_

Address \_\_\_\_\_

City \_\_\_\_\_ State \_\_\_\_\_

Canada & Foreign—\$2.50 with order

## THE PATRIOTIC ASSASSIN

**A**ll the assassins in the cryptocracy's army of hit men are not, by any means, programmed. There are other ways besides mind control to motivate the commission of murder.

In 1298 Marco Polo returned from his Asiatic travels with a tale of assassins who were motivated by an unusually clever technique. Polo described a fortress he had visited in the valley of Alamut in Persia. He said the valley was the headquarters of a notorious group known as the *Ashishin*, from which the word "assassin" evolved.

Polo's story echoed numerous legends about an "Old Man of the Mountain," named Allahudin, who used subtle and elaborate psychological tricks to motivate simple country boys to undertake fearless acts of murder. The Old Man had created an inescapable valley between two mountains by building up high walls at both ends. He turned the valley into a beautiful garden, the largest and most beautiful that had ever been seen. In this valley he planted every kind of fruit tree and built several elaborate, ornamented pavilions and palaces which were said to be of such elegance they could not be described in words. Everything that could be, was covered with gold. The buildings housed the most exquisite collection of paintings and sculpture in the known world. Man-made streams flowed wine, milk, honey, and water.

Also in the Old Man's garden was a harem of the most beautiful houris in the world, trained to play all manner of instruments, and to sing and dance in the most sensuous and seductive manner. All had also been highly trained in the fine art of lovemaking, and were reputed to know every possible way in which to make a man happy.

The garden was well fortified, and there was no way to get in or out of it except through the Old Man's castle. None were allowed to enter the Old Man's Garden except those who had been selected to be among the *Ashishin*.

Youths from the countryside were attracted to the Old Man's court, lured by tales of the fantastic paradise. They believed that the Old Man was one of God's elect, and that angels did his bidding. Only those ranging in age from twelve to twenty years who displayed a taste for soldiering and were in prime physical condition were admitted to the *Ashishin*.

The Old Man's garden duplicated every detail of Paradise as described in the Koran by the Prophet Mohammed. A young man selected for the *Ashishin* would soon come to believe in the Old Man just as he already believed in Mohammed.

After the proper indoctrination was completed, the Old Man would have his candidate drugged with a mysterious potion that would cast him into a deep sleep. Once asleep, the candidate would be lifted and carried into the garden and would wake up to find himself in a place he was certain must be Paradise.

As time went on, he'd become more and more convinced that he was in Paradise. Ladies offered everything a young man could want, beyond even the wildest expectations of these simple folk. After only a few days in this garden, no young country boy would have left of his own accord.

When the Old Man wanted to send one of his young *Ashishin* on a mission, he would again have him given the mysterious potion, and carried in his sleep from the garden to the castle. There the youth would be dressed in his old clothes and placed into the original position in which he'd fallen asleep before being taken into the Garden.

Upon awakening to "reality" he would experience a great sense of loss at finding that he was no longer in Paradise. Then, as if meeting this young man for the first time the Old Man would ask him where he had come from. Usually the youth would reply that he had just come from Paradise, and in great excitement explain that it was exactly as Mohammed had described it in the Koran. This would, of course, give eavesdroppers an even greater desire to get there, and the strongest among them would, days later, wake up in the arms of the houris of paradise.

When the Old Man wanted a rival prince killed, he would command such a youth who'd just returned from Paradise, "Go thou and slay So-and-so; and when thou returnest, my angels shall bear thee back into Paradise. But shouldst thou die in the process, nevertheless, even so will I send my angels to carry thee back into Paradise."

With this psychological ruse the Old Man would motivate youths to transcend the fear of death. Usually there was no order that a young *Ashishin* would not obey, no peril he would not risk, so great was his desire to get back to Paradise.

In this manner the Old Man got his *Ashishin* to murder anyone he named. He inspired such dread in the princes of other kingdoms that they offered tribute to him in order that they might live in peace.

Marco Polo's story of early mind control has elements which bear a striking similarity to today's modern *Ashishin* of the cryptocracy.

In the 1950's the CIA smuggled a captive Soviet Air Force officer to the United States for interrogation. he was taken from a West Berlin prison to the CIA's Langley, Virginia, "farm" where he was interrogated at length. Once he'd begun to fear for his life, the CIA men showed him clemency. They took him to New York, where he attended a baseball game, and enjoyed a full sampling of the nectar of freedom. He was plied with wine, women, song, and, in the true American tradition, hot dogs.

After a few weeks of high living, the officer was returned to the West Berlin prison, where he was thrown into a dark cell. At an opportune moment he was allowed to escape. After the CIA had established that he was back at his post, flying the kind of aircraft they needed, they placed an ad in a Western paper which was circulated in the underground behind the Iron Curtain. The ad said that a certain group, not identified with the CIA, would pay \$100,000 and arrange for political asylum for any pilot who would deliver the specified Soviet aircraft to the West.

A few days after reading the ad, the Soviet officer flew his plane to the West, collected his \$100,000, gained political asylum, and entered the "paradise" he had glimpsed for only two weeks.

It should come as no surprise that many men will murder for simple, old-fashioned motives: sex, love, or money. One psychologist found that a sizable percentage of Americans would be willing to kill another human being if they were offered enough money and assured they would never be caught.

In 1976 a Pasadena, California, psychologist, Dr. Paul Cameron, put the murder-for-pay question to 452 persons. Those questioned were divided into groups. The first group included those who had already deliberately killed or attempted to kill another human being -- usually in military service. The second group consisted of those who had never attempted to kill another person.

The question was: "What is the least amount of money you would take to push a button to kill a person inside a black box -- if no one would ever know what you did?"

To Cameron's surprise, 45 percent of those who had killed before said they would be willing to push the black box button for an average price of only \$20,000. Twenty-five percent of those who'd never killed said they'd be willing to commit

murder for an average price of \$50,000, about the price of a house in the suburbs in those days.

Mind control is not needed to motivate assassins; it is however, most useful to protect assassins and their employers from their own incriminating memories.

In the course of researching this book I talked with a number of retired intelligence personnel (from various government agencies) who had either committed assassination or admitted having heard tales of assassins in their work. Few had heard of an assassin being mind-controlled. One man I consulted, however, took a special interest in the stories of David and Castillo. A chemist who had worked for one of the intelligence research labs, he developed new ways for killing quickly and quietly. And he had met several of the killers who were to use his formulas.

Over a three year period I talked with this chemist on a number of occasions. He came to trust that I would reveal no names and endanger no lives in telling the story of mind-control. After hearing details of my research, he offered to introduce me to a man he had met while working at the lab. This man had been a high ranking officer in the military, retired after thirty years of service. He had served as an officer in World War II and Korea. During the Vietnam conflict because of his special knowledge of "black science," he was induced to sign on after he retired from military service as a private contractor for the cryptocracy. During the next eighteen years, he accepted several simple assassination jobs. He told the chemist about some of his friends having come back from similar missions with "holes in their memories."

The chemist had arranged a meeting in a noisy public restaurant in a small New Mexico town. Having promised to take no notes, I had secreted in my pocket the smallest tape recorder made, which allowed me to record three hours of the assassin's talk, amid clanking glasses and the general restaurant noise.

When I finally sat across from him, my heart raced. The retired assassin was a sixty-year-old man, gray haired, but as strong as a man twenty-five years his junior. He had a .44 magnum revolver strapped to his side, as did the man he introduced as his bodyguard. As a cover for the guns, he and the bodyguard both wore National Rifle Association patches sewn prominently to the pockets of their crisply pressed khaki clothes.

The chemist had already informed his friend about the book I was researching. As we sat down and were introduced by first names only, I told the assassin I was especially interested in finding out why men had been returned to civilian life with amnesia.



I mentioned the ad I had placed and the number of people who had responded. I mentioned also that the majority of those who responded, and who had reason to believe their minds had been tampered with, had been enlisted personnel.

Career officers, he explained, were legally bound by security oaths and economically dependent upon pensions and the privileges of rank, but enlisted personnel, while perhaps bound by an oath, were likely to separate from the service knowing more than they needed to know. Somebody had to man the high-technology instruments of war and those who were merely computer fodder had to be protected against their knowledge – they could not be trusted. Patriotism, especially during the Vietnam era, was a waning motivation. Their memories had to be erased. But, he explained, mind control was not needed to make a killer. Professionals didn't usually need to be motivated. Most members of search-and-destroy or "executive action" teams were already willing to kill – men, women, or children -- if their superiors ordered it.

I concluded that he meant a career killer didn't need to be debriefed by mind control. When I said that, he contradicted me. "You want to bet?" he said. "They'd all kill, but they might not be able to keep the secret. It would depend entirely upon what activities they were involved in, whether the assignment was combat, mop-up, search-and-destroy, political assassination, or whatever...

"This debriefing is done in such a way, in many cases, as to cause actual memory damage. As things have gone along and progressed, the techniques have been smoothed out, but memory damage still occurs. In certain cases memory recall is so critical that they bend over backwards to be damned sure that you can't remember.

"Many of the things that occur are not as pretty as you'd like the public to think," he said.

"So you've witnessed many atrocities of war?" I asked.

"I don't call them atrocities," he countered. "I call them military actions. There's a lot of conflict of interest there -- the politicians against the military..."

I let him rail a while about the evils of the government and then brought him back to my point of interest. "OK, who killed JFK, RFK, King, and who was behind Bremer?" I asked. He didn't remember who Bremer was, so I explained that he was the man who'd shot Wallace.

"Oh, yeah," he said. "Bremer was just a kook. But whoever got the Kennedys and King probably got a gold medal. (Evidence indicates that Bremmer was programmed at one of the cryptocracy's mind control academies.)

"We were set up to wipe Castro out. Kennedy interfered at the last minute. You want to take a guess at who killed him?... Oswald was just a patsy. I've fired the same kind of rifle Oswald was supposed to have used. You can't rapid-fire that thing like he was supposed to have done. Now who do you suppose killed Kennedy?"

"...Don't kid yourself. This country is controlled by the Pentagon. All the major decisions in this country are made by the military, from my observations on the clandestine side of things.

"The CIA's just the whipping boy. NSA [the National Security Agency] are the ones who have the hit teams. Look into their records -- you won't find a thing. Look into their budget -- you can't. For the life of you, you can't find any way they could spend the kind of money they've got on the number of people who are supposed to be on their payroll. Even if they had immense research and development programs, they couldn't spend that kind of money.

"The CIA's just a figurehead. They are more world-wide -- like the FBI is. They're accountants, lawyers, file clerks, schoolboys. They are information gatherers. They've pulled a lot of goddamned shenanigans, I'm not going to deny that, but as far as intelligence goes the NSA's far, far superior to them -- far in advance in the 'black arts.'

"The CIA gets blamed for what NSA does. NSA is far more vicious and far more accomplished in their operations. The American people are kept in ignorance about this -- they should be, too."

"In other words," I responded, "what you're saying is the military is more dangerous to our democracy than the CIA or other intelligence groups?"

"The CIA gathers information, but the military heads the show. Look at how many former officers work for the multinational corporations. Can't you figure it out?"

"What are you suggesting, that there is an invisible *coup d'état* which has occurred in the United States?" I asked.

"OK. There is a group of about eighteen or twenty people running this country. They have not been elected. The elected people are only figureheads for these guys who have a lot more power than even the President of the United States."

"You mean the President is powerless?" I asked.

"Not exactly powerless. He has the power to make decisions on what is presented to him. The intelligence agencies tell him only what they want to tell him. however, they don't tell him any more than they have to or want to.

"You have to wonder at American stupidity. How much does it take to get people to wake up to what has happened? It's public knowledge that the CIA has falsified documents and given Presidents fake intelligence reports so that he can only arrive at one conclusion -- the conclusion they want him to arrive at.

"What people don't know is that the global corporations have their own version of the CIA. Where they don't interface with the CIA, they have their own organizations -- all CIA trained. They also have double agents inside CIA and other intelligence organizations who are loyal to those corporations -- I mean where's the bread buttered? Would you rather take the government pensions, or would you rather work a little for the corporation on the side and get both government pensions and corporate benefits after you retire? Most men retire after twenty years, and they're only in their mid-forties... then they go to work for the corporation they've been working for while they were in government service. They get both the pension and the corporate paycheck that way!

"Together with what the corporations do on their own, they have a worldwide espionage system far better than the CIA's. There is a network of what amounts to double agents -- they do work for the government, and may appear to be government agents, but they are first loyal to the corporations. They report to those corporations on the government and on what foreign governments might be planning which would interfere with those corporations foreign investments. These guys are strictly free enterprise agents."

"You call these guys contract agents?" I wondered.

"Oh, no, no, no... Take, for example -- we develop a new death ray. We've got the best security in the United States on it, which is tied in second place for the best security in the world. Tied for first place are the Russian and Chinese security systems.

"Now even with all this security, before FOCI [First Article Configuration Inspection, the government's checking system on the manufacturing of military hardware] on a government contract -- that death ray is up for grabs in every nation in the world. Any amount of military security can't keep it secret."

"What you're saying," I interrupted, "is American people are selling secrets, wholesale, to the highest bidder? That is to say, I assume, if the highest bidder is an American company?"

"And even if it's not," he said. "Usually it is another nation. I've dealt with weapons and usually the nation that wants it most will pay the most for it. Once in a while these companies, these government contractors, will find that someone has stolen one of their secrets and there'll be a big flap. But the big boys in the military are an entirely different ball of wax... the big guys get away with it.

"When one of these companies finds someone inside it selling secrets, they take him on a fishing trip, a boat ride, and get rid of him. It's quite common," he said. "For example, if I was tied in with one of these companies where money is no object, and they wanted me to get rid of you, I'd obtain a passport or a duplicate passport with your smilin' face on it. After I'd obtained it, I'd put whoever's face on it I wanted. Then after we dumped you, that 'someone' whose face was on your passport would take a trip to Australia.

"Later your friends or family would notice you were missing and people would begin to inquire as to your whereabouts. Eventually they'd check with the Australian customs who'd say, yes, this guy entered the country on such and such a date. By then the guy who'd traveled over there on your passport would have already come back on his own, and as far as the best detective could tell you've gone to Australia and you've never come back."

"What do you know about the military or the intelligence agencies' use of pain-drug hypnosis?" I asked.

"They used several different things. I've seen, actually seen, guys coming back with blanks only in certain places of their memory. Let's say that I know positively, not by hearsay, that it's done."

"You've seen it?" I asked.

"You'll never get me to admit it," he grinned.

"Well, how is it done?" I asked.

"They use hypnosis and hypnotic drugs. They also use electronic manipulation of the brain. They use ultrasonics, which will boil your brain. When they use hypnosis, they'll at the same time be using a set of earphones which repeat 'You do not know this or that,' over and over. They turn on the sonics at the same time, and the electrical patterns which give you memory are scrambled. You can't hear the ultrasonics and you can't feel it, unless they leave it on -- then it boils your grey matter."

Unless the assassin had done the same research I had, he could only have known this through firsthand experience. The CIA documents released in 1976 revealed that ultrasonic research was undertaken for a period of more than twenty years. But the documents said the research had stopped, so I asked him about that.

"Yeah. The *research* has stopped. They've gone operational. It ain't research any more. They know how to do it," he said.

"Do you mean that it is your *opinion* that it hasn't stopped, or do you mean that you *know* it hasn't stopped?" I asked.

"I mean I *know* it hasn't stopped," he said. "For example, suppose that a dictator in some South American country is setting up real problems and we try to kick him out. We call in some of my former group and say, 'Look, the bastard has got to have a fatal accident, and it's gotta look good -- like he fell on a bar of soap and broke his neck in the bathtub or something.' So we go down there and get the job done.

"But it could be quite embarrassing if any of the guys were cross-examined about where they'd been and what they'd done... So the guys who were in on the job suddenly have a cold or something, and they are put in a hospital for maybe just a routine checkup. They come out of the hospital in about fifteen days. They're alive. They're well. They're healthy. And they're happy, too. Lots of luck if you question them: *they don't remember anything*.

"That's one way it's used. The other way is to use it to improve memory -- say, with couriers. You want a secret message carried, outside the chain of command -- there's no need to have it carried by a person if it's a legal message because the military's got a thousand ways of sending messages which are unbreakably secret. But if it's *outside* the chain of command, as so many things are these days, if it's an illegal message, and our Constitution doesn't permit us to do much that is legal -- then you have a hypno-programmed guy carry the message. You improve his memory so he can carry an entire coded book of what appears to be gibberish, and when he's got it down you give him amnesia and seal off that message by a posthypnotic code word, and whammo! You got a real good secret courier, because he can be tortured to death but he can't remember. *Unless* the proper cue is uttered.

"Then if the courier's going to operate against the enemy, who might have the techniques of hypnosis down, you give him several layers of post hypnotic command. In the first layer, he'll confess a false message. In the second layer, he'll confess another different false message. Finally, maybe on the fourth or fifth layer is the real message.

"Our guy who is supposed to get the message knows that the first three cues, say, are fake, and he gives the fourth cue and out comes the correct message. If the courier was in enemy hands he could be there for years before anybody will figure out where he was in all those layers... Each identity will probably be that of a real 'cut out' -- a person enough like him, so the enemy will think that they've got the real guy.

"Many of the men in my unit were given assignments, after which they were so 'persuaded' they didn't remember anything. I mean to say, they'd gone in believing the only thing in life that meant anything to them was completing the assignment -- to get it done, and when they got done with it they couldn't remember anything about it."

"Could these guys have been that way without hypnosis?" I asked.

"Well, they could have believed their mission in life was that particular assignment. They usually had no family affiliations, no friends, nothing but their careers. But I don't think they'd have forgotten about those kind of assignments. Not without a little help, let us say."

"What was the conditioning these guys had? Was it drugs, hypnosis, or something else?" I wanted to know.

"Hypnosis, electro-therapy, programming them by tapes, by voice-over earphones, awake or in trance, or asleep. By a number of methods."

"How widespread was this mind control?" I asked.

"Well, I was -- well, that is something I can't really answer. I know of several different groups upon whom it was used. I know it was used in some of the hairier areas of Korea and Vietnam, and it was started in World War Two, but it has been refined far more since then. How much of it was used, I don't know. I know of several groups that I was affiliated with that had it used on them."

"Would you say this kind of thing did not exist before World War Two?" I asked.

"Oh, it did. But it was not in such a sophisticated form. It's as old as man, but now it is refined to an art. Before it was torture and psychological pressure -- that can accomplish a lot. We've been trained to use it in primitive field situations. But now it's done with the idea that the mind can be put under complete control. Just like they used to use rubber hoses at the police stations. They don't do that anymore. Well, rubber hoses still work, but they don't work as well as some other things which the police now have."

"Are you saying the police also use mind control?" I asked.

"At the highest levels, yes. The FBI certainly uses it, and they, of course, give a lot of help to the local police. There are certain areas of the brain which control your inhibitions. When they control those centers, then the subject will go on with his assignment, regardless. I've seen men whose mother could be sitting there having coffee, and if they'd been instructed to kill her, they'd walk right in and shoot her, and it wouldn't even upset their appetites for supper. They were conditioned to do it in such a way that they have no guilt. They wouldn't have guilt because after they were through they wouldn't even remember it."

"Let me tell you something: the cheapest commodity in the world is human beings. Most assassins don't need to be programmed to kill. They're loyal to command. They're conditioned, first by the circumstances of their own early life,

then by a little 'loyalty training.' The command is their only justification for living. It is also their only protection once they're into it..

"... When I came out of the service and went to work for the government, I had a colonel assigned to me as a bodyguard. When he retired I hired *him*," he said, pointing to his bodyguard. "He's still with me, and that's why we have these..." He pointed to the .44 magnum -- the most powerful handgun in the world -- strapped to his side in plain sight.

"Who are you worried about? The Russians? The Chinese?"

"Well, I'll tell you. You can damned near put a pin in the map anywhere you want. I got into military security before the Second World War. I was just a kid. Over the years I was assigned to thirty-two different countries. So you can draw your own conclusion."

"But what you've been talking about is a political action, not a military one. How, then, as a military security man did you get involved in political actions?"

"Well, suppose there were countries that were doing technological research on things which could be injurious to the welfare of the United States. I'd be one of the guys assigned to destroy those scientists who were involved in the research. That was with friendly *and* unfriendly governments. So, naturally, if they found out I was in on it, even now, they'd come after me.

"In other cases I was involved in knocking off some dictators. Then we'd change the people's voting ideas when they had to elect someone."

I returned to the main thread of our conversation. "OK now, since we have this mind-control technology, what is to keep the guys in the cryptocracy or the military, as you maintain, from programming Presidents as soon as they take office, or immediately after they get elected?"

"I have always wondered about Nixon," he mused. "He was very pro-military. He gave them just about everything they wanted in the world. But he wanted to create a monarchy with himself as king. And, slowly but surely, he tried to take over the military and the CIA through subordinate officers who were loyal to him only.

"All you hear about are left-wing conspiracies to overthrow our government. You never hear about right-wing conspiracies.

"Well, some of these right-wing groups are far more dangerous than the left wing. The left wing's mostly kids with dreams. The right wing is usually retired military. They're hard. They're trained. They've got arms. But if the right wing took over right now, there should be just a military dictatorship, and the military

would find its best plans were not upset at all. I'm saying if a dictatorship took over. Hell, we've got one right now, but it ain't overt, it's subtle."

"You mean those twenty men you were talking about?" I asked.

"Yeah... if the people of this country actually knew, they would say 'no' the next time they were asked to go to Vietnam. We need the people behind us to fight a war, and if they knew the true facts, who's running things, there wouldn't be the following we'd need to defend the country. That fact alone keeps the sham of politics and 'free elections' going."

"If that is the case, then the results would be different?"

"Yes. If people knew they had a dictatorship. Have you ever heard of a factory slowdown, a strike? Well, Russia has run up against the problem, and so have we in supporting the foreign dictators we support. The American people like most people, have to feel that they have some right; that they're the 'good guys.' This is the reason we have never lost a war and have never won a peace.

"You've got to maintain the sham of freedom, no matter what. It wouldn't make any difference what party is in charge or whether it was the elected government or what you call the cryptocracy running it; from an operational sense, the government would operate as it presently is. From the point of view of people paying taxes and defending their country, well, we found in Latin America that people won't fight if they think they have a dictator who is just as bad as the enemy who is attacking.

"That's probably why it would be fairly easy to take over the Soviet Union, short of nuclear war. The Soviets could probably be convinced by psychological warfare that their government is certainly a lot more evil than ours. And if we went to war with them we could eventually win... That is until the H-bombs started to fall, then nobody'd be the winner."

Changing the subject I asked, "What area of the military were you involved in?"

"I don't think I ought to answer that. Let's say there was a group which first sought to solve problems politically. If that didn't work, then there was another group which went in and tried to buy solutions. If that failed, then my group was sent in to be damned sure things were accomplished the way we wanted them to be."

"So you were operational, and not research at all?" I asked.

"No I had been in the lab for a long time. The knowledge I developed was very valuable in an operational sense. I was put into the field because of this knowledge."



"You're talking about pretty sophisticated equipment, not commando stuff?"

"Right. For example, I won't say the name of the country, but it was a South American country. We had a leader that we had supported there who suddenly got the idea that he was going to go off on his own. They tried to reason, negotiate, buy off his affections. When all that failed, my team was sent in to correct the situation.

"We went in very quietly and left very noisily. We went in as tourists, but the important material we brought in was the turning point. Let's say we couldn't reason with the man anymore. We were there about six days, and the problem disappeared. Not many bodies, just the important ones."

The assassin was very specific telling about some of the jobs he'd accomplished. Several included actions taken against a well-known political figure -- that, the assassin said, was the only assassination he'd ever "blown." His rifle malfunctioned at the critical moment when he had his target in the crosshairs of his sight.

I cannot say that I had originally believed the assassin's claims, but after running the Psychological Stress Evaluator on all the critical portions of his interview, and finding no areas which unexpectedly or inexplicably produced stress, I believed that the assassin was telling the truth. The newspaper office he had mentioned was bombed when he said it was, but he could have gained that knowledge from newspaper reports. The target of his unsuccessful hit was subsequently "taken care of" in another way which did not cost him his life.

The assassin confirmed many of my own conclusions which had been based only on research: that an invisible *coup d'état* had taken place in the United States: that the CIA was only the tip of the cryptocracy iceberg; and that ultrasonic, electronic and other sophisticated forms of memory erasure were used to protect "search-and-destroy" operators from their own memories. I've received anecdotal confirmation of this over and over since I did this interview. As I toured the U.S. and then Europe lecturing on this subject I was approached by a number of individuals who confirmed the information I'd heard from this assassin.

Before I interviewed this man, I'd had some indication that the cryptocracy had investigated such techniques (a 1951 CIA document had briefly cited the need for such research), but the assassin's disclosure in 1976 that the cryptocracy had developed invisible forms of sonic and electronic influences of the human brain for mind control sent me back to the libraries.



Here a 1940's beauty, maybe one of the first Monarch "Models", who stays obviously dissociated from the pain while the man (R) measures her blood pressure as she's pierced with a hefty needle (inset) by the man (L). Could the numbers be for programming like survivors describe today?

## 26

### SLEEPER AGENT

**J**oe called me one day from Australia. I was still working on Grub Street as editor of *Palm Springs Life*. He told me what most of the victims of mind control have told me: "I read your book. You saved my sanity. I know now that I'm not crazy. Thanks so much for writing it."

That was reward enough for doing it, I suppose, but I didn't want to do it again. I wanted nothing more to do with mind control. I was burned out on the subject, so Joe got a polite but disinterested reception from me.

He kept up a correspondence with me anyway from the outback. At first his letters were fragmented, disjointed, mine were polite, encouraging, brief. I couldn't tell where he was coming from, but, what do you expect from a victim whose mind has been scrambled? He began by talking about some missing British Scientists:

During the 1980s at least 25 British Defense Scientists died in extremely unusual circumstances. None came to my attention until early 1987 when a scientist named David Sands did a high speed turn on a main road, drove down a slip road and slammed into a disused 'little Chef' cafe at an estimated speed of eighty miles an hour.

The police apparently thought it was an unfortunate accident, despite the fact there were no skid marks or signs of evasive action, nor any tangible reason for the car to enter the slip road at all. David, badly disfigured by some exploding petrol cans in the boot of the car, could only be identified from his dental records.

When I read the story it was early in the morning and I was sleepy. By the time I finished it, I was wide awake. In January 1986, my Ford Capri 3 liter Ghia had suddenly gone into a high speed spin on a narrow straight ice free road, with perfect visibility, for no good reason.

Later in-depth investigation by expert psychologists using both clinical and hypnotic procedures determined I had attempted a handbrake turn at over seventy miles per hour but had no conscious recollection of the

event. The first I knew of the matter was finding myself desperately trying to use skid control techniques to correct the spin; well proven techniques that had got me out of trouble many times before when I worked near the snowbound Alaska highway in northern Canada.

My expertise proved of no use in January, 1986 because unknown to me at the conscious level my cars' rear wheels had been locked solid by the handbrake, making it impossible for the car to respond. I lived to tell the tale but was extremely lucky to survive the vicious impact.

Once again I read the article about David Sands and my disquiet grew. There was an uncanny similarity some where but I did not have the full details. In the end I checked the name of the person responsible for the story, Tony Collins of *Computer News*, promising myself I would call him the following morning.

My own story started in 1983 when I was approached to implement a drilling fluids project in West Bengal by HDF International, subsidiary of a massive American defense contractor. I was told from the outset, the project would be of a tripartite nature involving India, the Soviet Union and lastly myself representing the U.S.A. The fact I was an Australian rather than an American seemed of no concern to HDF International. Initially there were no problems at all. The Indians and Soviets were very friendly, with everything being prepared for the eventual change to the HDF high performance drilling fluid system. Although I controlled the HDF project in India, permission had been refused when I asked to select my own relief engineer who would look after the system if I was away or on rotating leave break. HDF was adamant its US headquarters insisted an American national fill the post. The man in question, Gerald Smith, told me immediately on arrival he knew nothing about the system we were to use...

I encouraged Joe to keep writing, for therapy, if for no other reason. Here are excerpts from another letter:

I recovered with the help of the professors and the Medical Foundation for Torture Victims in London. But they recovered only the relatively shallow 'decoy' hypnotic level induced in Calcutta. True memory-recovery of the deeper somnambulistic hypnotic level did not commence until the end of 1992, and when it did the shock almost killed me<sup>112</sup>... Clearly it would have been impossible to write the book in the first-person during 1991. At that time there were very few memories from 1983-84. ... (There are) savage fiscal penalties imposed on those who are unwittingly targeted with these techniques and then discarded if

---

<sup>112</sup> Vials, Joe, Letter to the Author, April 17, 1994

termination fails after the event. In the case of this family we lost our \$175,000 house in England, and we lost my tax-paid annual salary of \$105,000 from 1986 to 1994. In all that comes to nearly a million U.S. dollars net, and for the life of me I can see nothing wrong in trying to reverse the damage by selling the only thing available to me -- the truth. The memory-recovery of the deep Mike-Alpha- Delta-3 level came as a hell of a shock at the end of 1992 and was prompted, I think, chiefly by environmental factors.

In mid-1991 I started writing articles about George Bush's personal war in the Persian Gulf, though 'war' is perhaps the wrong word to use. Massacre is probably more accurate when you've just slaughtered 72,000 innocent Iraqi women and children. At the time I was writing only about current events, and then the U.N. Security Council shifted its sights across to Libya and I naturally started to write about that as well -- once again in the current sense. Then in mid-1992 for no apparent reason I called the ABC and asked for a copy of all the footage they had on the assassination of WPC Yvonne Fletcher outside the Libyan People's Bureau in London during April 1984. After three requests I finally got the footage, then promptly wrote a comprehensive ballistics report and drew an accurate diagram of the killing zone from memory (?) on an assassination carried out eight years earlier. At that stage it never occurred to me I was doing anything unusual, or that ex-air force personnel don't write ballistics reports at all...

Towards the end of that year (late November or early December 1992) I was sitting quietly in our dining room late at night when I suddenly remembered I wasn't in India between 9 April and 21 April 1984. A few seconds later I remembered a few more details that pushed my blood pressure up to levels which later turned out to be exceedingly dangerous.

My first action that night was to tell my wife I hadn't been in India between those dates. Her (natural) reaction was to tell me that was rubbish - saying there would be company documents and personal letters in our files proving I was in Calcutta. We dragged the files out of storage and, unfortunately, they proved my point completely. There was a void space between those two dates: absolutely nothing in the way of proof that I'd been in Indian at all. However, there was conclusive proof that on 8 April 1984, while in 'transit' at the Holiday Inn in Singapore, I was provided with details of a certain Hughes office building in London, complete with the 24 hour contact telephone numbers of a senior Hughes vice-president.

From that point onwards memory-recovery was intermittent, but when it occurred it was crystal-clear. For a while I became very ill, with conventional drugs proving completely incapable of reducing my staggering blood pressure of 205/135. In the end it came back down to 130/80 with a lot of help from alternative medicine. That was a close call. It seems to me the brain has a 'stress-limiting' facility that shuts the thought processes down (in this case memory-recovery) if the body is under dire threat. That may have happened in my case, because it was not until November 1993 that most of the remaining details emerged. More shock and more high blood pressure, but by then I was learning how to cope with it - more or less.

Viewed subjectively, *all* memories remain intact but are somehow disconnected from each other after a mission -- something like a large roll of cine film cut into its individual frames, which are then scattered across the floor. The data is all there and complete with visual, audio and olfactory effects, but each frame has to be painstakingly put back in the right place for it to make sense. After a certain amount of memory is recovered the process seems to speed up, as though three memories recover three more each, then those nine recovered memories recover nine more each etc. A sort of accelerate 'exponential' effect very difficult to explain adequately in writing.

Seemingly it is quite easy to 'build' a second personality, so stories about induced multiple personalities based on childhood trauma may have been leaked as disinformation, or were simply not used in my case. The selection of appropriate potential candidates may be very important however. In my case I was simply 'locked into' an earlier age, with all details of future life events hypnotically suppressed. For all practical purposes I was 27 years old again and still in the military: a chillingly simplistic approach but devastatingly effective. For further details see *Mike-Alpha-Delta-3*, my novel. I think it highly unlikely that any unbalanced 'macho' individuals have been used on programs such as this, because they would tend to be unreliable. Incredibly, it seems far more likely that balanced, ethical individuals will have been carefully chosen, making detection almost impossible. Without a previous track record of psychotic behavior, most candidates would simply be 'computer-invisible' to police or intelligence service checks. It may be that the techniques are still being used, though I am drawing a long bow in reaching that (tentative) conclusion..

The last 18 months have been more difficult to live with than the preceding eight years. I now have to live with a sequence of events that appall me, but am powerless to right the wrong...

Joe was having trouble remembering details, but as he began to write the details flowed. It were as if his "fingers" remembered. Still he was blocked, then he started writing his adventures as a "novel" in the third person and his mind freed up some more. Quickly he wrote a 110,000 word manuscript in the third-person. It was essential that he write in third person anyway, because of the assassination of WPC Yvonne Fletcher in St. James Square, London, exactly 10 years before. It was something his terrifying memories told him he was the trigger man on. How could anyone write such a thing in first-person and hope to stay out of jail?

A month later the next letter came from Joe:

Yes the (mind control) facility existed in central Morocco during early 1984, though I have no idea whether it is still there. That said, the accommodation was substantial and King Hassan III is still in the pockets of the US covert people. Why move the facility somewhere else under such favorable circumstances?

As to accuracy, the story is about as accurate as possible bearing in mind that there were periods where memory-recovery would be difficult i.e. when zapped-out by heavy drugs during parts of the process. The data on procedures is correct where appearance and equipment is concerned, but I was understandably never told exactly how the drugs worked in conjunction with the ELF fields, or how in turn they interacted to achieve accelerated learning ability, perceptual distortion, hypnotic control and post-hypnotic amnesia. There is more detail in parts 2 & 3 which provides a broader overview than part 1 alone. part 2 is attached for your own attention, while part 3 is taken from towards the end of the book, when X travels to London. Part 3 is the nastiest bit, as you might expect.

...Don't stick with the idea that Special Operations specifically programs assassins. It would be more accurate to describe candidates as 'multi-role' i.e. capable of wide-ranging terrorist activity which happens to include assassination.

Number of Joe's? Three if you count the normal waking state i.e. 1. Normal waking, 2 Decoy level, and 3 Operational. But it still comes down to narco-electronic-hypnotic trickery and, at the very worst, a duality of personality based on modified but authentic behavior from a younger adult age. No misleading childhood trauma or other wobbly stuff like that. Hence my claim that 3. most will almost certainly be self-disciplined, well-balanced, ethical individuals with the right background. Certainly not undisciplined psychos from the funny farm, with the resulting extra-high requirements for control and training.

The following are excerpts from Joe's "factional" novel, *Mike,-Alpha-Delta-3*, parts of which first appeared in *Nexus* magazine. Reprinted with permission of the author.

Otto Jewell lay strapped to the spotless white operating table while Special Operations technicians checked the electrodes on his scalp, and adjusted the two high-resolution lenses mounted directly above his head, designed to reflect images from the visual-input projector at the foot of the operating table directly onto the retina of each eye. On each side of Otto's head, two extra-low-frequency generators built into special headphones pulsed slowly and smoothly, enveloping both hemispheres of his brain with high-intensity electromagnetic fields.

Off to one side of the room was located the ELF generator control console, and a sophisticated electroencephalograph (EEG) linked to four green computer screens, each displaying one of Otto's four brain frequency groups: Alpha, Beta, Theta and Delta. As the generators pulsed slowly, the delta screen showed a brilliant green trace while the other three remained blank, apart from an occasional brief green 'spike' on the alpha screen. Directly beneath the four green screens a larger color screen was on standby, ready to repeat all data relayed to the retina of Otto's eyes by the visual-input projector.

To the left of the computer bank stood a standard medical array, monitoring Otto's vital signs including respiration, pulse and skin conductivity. All was well in *The Terrorist Factory*: Otto was sleeping like a baby and programming would continue as soon as the staff were ready.

CIA controller Julia Long nodded to the others and walked out of the climate-controlled operating room into the blazing hot Moroccan sunshine. Although it was still early in April 1984, the sun beat down remorselessly and Julia thought again how unfair it was that the 'special access' facility had to be sited in the middle of Morocco – a country she personally found far too backward for her tastes. Unfortunately there was little choice as the US Congress had banned experiments on human targets back in 1973, at which point Special Operations had secretly moved the facility to Beirut in the Lebanon. She smiled bitterly to herself. Beirut had been wonderful, and ideally sited until the Russian military had blown more than two hundred US marines apart with a pair of special bombs.

Beirut was also an ideal launching point for her more normal 'clients': Arabs, including Palestinian refugees with a military background, programmed to believe they were operating under the direct orders of the PLO as they bombed their way across Europe, creating mayhem and



fanning blind hatred against the nations of the Middle East. Most of the 'patriotic PLO terrorists' were killed during their missions of course, and those who survived could not provide their interrogators with any information at all, even under intense torture. US techniques in manufacturing electro-hypnotic dual personalities had been developed over a thirty-year period and were the very best, totally resistant to expert probing by anyone up to and including the Russian KGB.

It had never occurred to Julia Long that what she was doing was wrong. To her, the end justified the means entirely when spreading the doctrine of CIA 'democracy' across the globe. If a few dozen or a few hundred people had to die in front of television cameras in order to manipulate public opinion, then so be it. Julia was in the business of deliberately generating public anger by staging horrific, obscene operations that shocked the public via the television screen. After seeing bloodied, mangled bodies attributed to the PLO, Shining Path, or whichever group was selected by the CIA as the 'culprit' for the atrocity of the day, the public was happy to cheer the US bombers which then proceeded to blow the 'terrorists' and their wives and children off the face of the Earth. The fact no one would have died at all without the intervention of her small deadly Special Operations group was of no concern. For Julia, the world was run by CIA covert operations, and nothing else was of consequence.

As Julia sat in the hot sunshine smoking a cigarette, she thought briefly of Otto. It was nearly ten years since one of the facility's clients had been subjected to such an intense program although the rationale was inescapable: as an Englishman, Otto had to be word-perfect in every way, in the event he was captured and interrogated during the special mission planned for him in the West End of London.

It was one thing interrogating an Arab who was 'obviously' PLO; quite another interrogating an Englishman with a high-profile professional oil background. British Intelligence would pull out all the stops and try especially hard to break Otto if he were taken alive during or after the mission.

A little grimly, Julia cast a sidelong glance at the smoky Atlas Mountains in the background as she crushed the cigarette under her boot. She would allow no mistakes with Otto: not one. As she opened the door of the operating room, cool air controlled at exactly 68 degrees Fahrenheit swept over her. Taking her seat at the control console and donning a set of headphones, Julia turned with long familiarity and moved two sliding controls. Immediately the green trace on the delta screen started to diminish and the alpha screen came alive slowly with a full-length trace instead of the intermittent spikes.

As Otto started to show signs of stirring, Julia flicked a switch across to the 'binaural' position and the electromagnetic fields were thrown out of synchronization, flooding Otto's left and right brain hemispheres with fractionally different frequencies. The effect on Otto was to force his brain to try and 'match' the continually shifting frequencies. Unable to do so, his brain became entrained by the alternating beat. In less than ten seconds, Otto was in a full-blown electromagnetic hypnotic trance.

With high technology at its disposal Special Operations had not used "you are feeling sleepy..." hypnotic techniques for years, though a large team of tame, well-funded academics was held in reserve to assure the gullible public that hypnosis was "quite safe" and "could not be used to make a person act against his own personal moral code." Recalling the tame academics, Julia smiled a slow, sardonic smile: all Special Operations had to do was point a professor at the public, and his hurriedly-composed excuses were instantly accepted without question by citizens and media alike.

Julia swung around on her chair and spoke briefly to the team psychiatrist by the operating table: "I need maximum pupil dilation five minutes from now." With a mute nod, the heavy-set bearded psychiatrist turned to the drip leading into Otto's left forearm and waited as the drug slowly flowed into his vein. The powerful hypnotic drug rapidly reinforced Otto's trance state while a 'cocktail' derived from curare limited the movement of his eyelids. Nodding with satisfaction, the psychiatrist slowly started to administer atropine.

As the atropine started to take effect, the pupils of Otto's eyes grew steadily larger despite the intense overhead lighting and the eye's natural inclination to shut out light under such circumstances. The visual-input projector now had direct and unrestricted access to the retina of each of Otto's eyes. Julia spoke clearly into a special boom microphone positioned less than an inch away from her lips

"Okay, Otto, I am going to take you back to 1970 when you were flying over Oman. Do you remember the mission we talked about before, when your helicopter was covering the fighter-bombers attacking the fort occupied by Yemeni terrorists?"

"Yes," Otto replied tonelessly without moving a muscle.

"Right. You are there again in the cockpit just before the fighters started their attack run..."

\* \* \*

...Ignoring the empty shell cases and black belt-links being ejected into the helicopter slipstream, Otto continued firing carefully spaced five-round bursts, until interrupted by Julia Long:

"Otto, report. Otto, report your current activity!"

"Air-to-ground suppressive fire."

"Good, Otto, very good! Listen carefully to my voice, listen carefully to my voice. I am relaying a new assignment to you from headquarters. You have been requested on an exchange program with Special Operations in Morocco. The security classification is Cosmic International, and you are promoted to the rank of lieutenant colonel. Open your eyes wide Otto, open your eyes wide. You are still flying on operations. You are still flying on operations...."

At the flick of a switch Julia Long turned on the projector at the foot of the operating table, the beam of which was promptly split and relayed directly to the retina of Otto's eyes by the accurate high-resolution lenses above his head. As new images started flickering from the projector, his detailed memories of the mountains of Oman started to shimmer and slowly dissolve, to be replaced by similar scenery passing more quickly.

When Julia increased the alpha field to maximum and decreased delta to minimum, Otto watched transfixed as his Northrop F5 fighter-bomber swooped low over the Western Sahara, firing a burst of 20-millimeter cannon shells at two enemy vehicles trying to escape behind a large sand dune. As the first vehicle exploded, Otto kicked off deflection and fired another burst at the second. With black flecks of soot from the cannon speckling his windshield, Otto pulled back viciously on the controls and slammed the twin throttles through the afterburner gate. For an instant in time, he looked down at the devastation below as green tracer shells weaved lazily around the wings of the F5.

The radio crackled in his headphones: "Good run, colonel, good run! Now get the hell out of there and return to base."

\* \* \*

Still strapped to the operating table, Otto watched obediently as he and his aircraft broke off the action and returned to base. The runway threshold rushed towards him and with a very real screech from its tires the F5 settled gracefully on the tarmac, slowly decelerating and turning at the intersection to head towards the dispersal area and the waiting

ground crew. A post-mission flood of adrenaline rushed through Otto, and Julia swiftly adjusted the alpha and delta fields to compensate for his rapidly increasing pulse rate and skin conductivity. After stabilizing his vital signs, Julia Long turned again and spoke once more into her sensitive boom microphone:

"We will now conduct our debriefing, colonel. The mission was a complete success. Listen carefully to my voice, listen carefully to my voice. you are tired from your mission and will be allowed to sleep. When you wake again, you will have forgotten all life events after the age of 27 years. I repeat, when you wake you will have forgotten all life events after the age of 27 years. All you will remember, I repeat, *all* you will remember is that you are a lieutenant colonel on exchange duties with Special Operations, at a classified base in Morocco for multi-role training required for your mission. Congratulations, colonel! Enjoy your sleep."

As Julia moved her controls, the green trace on the delta-wave screen slowly increased at exactly the same rate as the alpha trace decreased. Within minutes Otto lay passively unconscious, his sleep disturbed only by intermittent green spikes on the alpha screen. Once more Julia turned to the psychiatrist waiting next to the operating table: "Put him out for about eight hours please, then have the technicians take him to his room. Put a discreet guard outside, but don't worry, when Otto wakes again he will believe he really is a 27-year-old lieutenant colonel. He will remember nothinga bout his life beyond that point."

Under his busy eyebrows, the psychiatrist's eyes glittered slightly as he prepared the powerful tranquilizer and watched Julia Long as she strolled out of the room. Though in her forties, Julia was a very attractive woman capable of turning many male heads.

As Julia sat down a the table in the officers' mess and slowly stirred her cup of hot coffee, she thought back over the chain of events that had finally resulted in Otto being delivered to the 'special facility' in Morocco. Julia smiled a wan smile.

It was perhaps the height of irony that another Englishman, John Dwyer, had brought Otto to the attention of a retired American CIA operative in Salt Lake City, Utah. For years Dwyer had worked as a sub-contractor for the CIA's African desk, and thought Otto's qualifications might be of use to his masters at the Central Intelligence Agency...

...Discreet CIA inquiries revealed Otto spent much of his spare time at a rifle range near his home, so an 'accidental' meeting was arranged. Earl Haggard, a veteran of the notorious *Phoenix* psychological operation in

Laos, turned up at the range and casually befriended Otto. As the weeks rolled by, Earl became convinced Otto Jewell could be of great use to the Agency. As a top trouble-shooter in the oil field service industry, Otto had immediate and unquestioned access to almost any country in the world. His strong military background was also in his favor, as were his demonstrated lethal skills as a marksman with pistols, rifles and automatic weapons.

The question of how or where Otto might best be used by the CIA was none of Earl's concern, so, after sending a long, detailed assessment of Otto's potential to Langley Headquarters in Virginia, he returned to his favorite golf course and forgot all about the Englishman.

CIA headquarters in Langley showed immediate interest. It was not every day that an Englishman of Otto's qualifications was brought to the attention of its intelligence analysts – one of whom noted Otto had spent much time in the Middle Eastern countries before carefully circling the single word 'LIBYA' with a bold stroke of his red pen. Otto's background pointed to his obvious use on covert missions under the aegis of Special Operations. Within a week, Otto Jewell's file was hand-carried by special courier to a small low-key CIA facility located in New Orleans, Louisiana, where it was placed in the 'in' tray of one Gordon Nobel. From that point forward, only paper files would be kept on Otto: computers were far too vulnerable to researchers leaning on the CIA under the Freedom of Information Act.

Julia Long moved uneasily on her chair in the officers' mess as she thought about Nobel, the man legend said coordinated the assassination of President John F. Kennedy in Dallas. Nobel was an animal: a known CIA heavy who took considerable pleasure in breaking limbs and, where necessary, shooting people through the back of the head with a heavy-calibre pistol. Most people in Special Operations were afraid of him and literally jumped to obey his every command. Julia was no exception and had all but sat rigidly to attention when he called her during 1983.

"Julia? Hi!" The voice was deceptively soft when Gordon Nobel spoke on the secure international landline from New Orleans to Morocco. "Listen, I have a new client for you, an oilman with a good, solid military background. Initially we intend to use him on a tripartite drilling operation in West Bengal, then we'll get around to his special mission a little later."

"Fine, Gordon, where is he now?"

"We just had one of Howard Hughes' subsidiary companies hire him as project engineer for a drilling operation near Calcutta. It's an interesting job: the Russians are helping the Indians to drill a deep oil and gas well in the Ganges delta, and our man is going in there to help them drill it with an advanced American fluid system. Or at least he *thinks* he's going to help them. The whole thing is basically a cover for the special mission he'll go on later, but he doesn't know that. We think it's a hell of a deal. We can really screw those Russian and Indian Commie bastards at the same time!"

..."Take your time, Julia. Have a couple of weeks' holiday, then fly to Dakar in Bangladesh. We'll arrange diplomatic cover for you and attach you to the local US AID team. From there you can go in and out of Calcutta as a diplomatic commuter. Your contact will be Louis McCaul at our local Calcutta consulate. He's in deep cover and there are no known documented links between him and the CIA or Special Operations. Louis will arrange for your special equipment to be carried in the diplomatic mail bag. The name of your new client is Otto Jewell, and he'll be staying at the Oberoi Grand Hotel. We've bought a couple of the hotel executives, so, access to Otto's room will not be a problem. Louis will arrange all that. Okay so far?"

Julia thought for a few seconds. "Okay Gordon. What do you want me to do with this Otto Jewell? In other words, what mission are we preparing him for exactly? I want to get the procedures right."

"On this mission we operate 'need to know', Julia. All you need to know at this stage is that you spend the first month or so observing Otto from a distance. Watch his behavior patterns carefully. We'll be doing our bit by screwing the Commies out at his rig site, so Otto will be under plenty of stress trying to figure out what the hell is going on. When you get word from me via Louis, I want you to start building a shallow 'decoy' hypnotic level – not too easy to break, but not too hard either. Have your Marine technicians rough him up under hypnosis and threaten his children – you know, the usual *things*. Make it as nasty as you can Julia, because if he's taken alive on the real mission early next year, that is all, I repeat, *all* that any interrogator is going to sweat out of him: the decoy level you develop in Calcutta. You'll get more orders later.'

\* \* \*

Julia Long sat on the couch in room 352 at the hotel and relaxed with a glass of iced lime juice while looking carefully for tell-tale signs of her

Special Operations 'modifications'. There were none at all. both ELF generators were carefully concealed and had been calibrated so that each would deliver an equal strength electromagnetic field to each hemisphere of Otto's brain as he lay in bed or sat watching TV. The resulting effect was similar to conventional stereo, though these powerful ELF generators emitted no audible sound. The ELF generators sent out fields only in the range of human brain activity, at frequencies between 0.1 and 25 cycles per second. By varying the output of the generators Julia would be able to introduce a 'binaural split', where the electromagnetic fields from each ELF stereo channel sent fractionally different signals to each hemisphere, entraining Otto's brain with an electromagnetic beat frequency and rendering him powerless to resist conditioning.

Julia would only use extra low frequency 2.5 to 1.2 cycle Delta fields on Otto initially, as the program called for a shallow hypnotic trance to be supplemented by drugs. Once he was under basic control the team would be able to enter the room at any time without Otto's knowledge to physically condition him, after which the Delta field pattern would continue to be used every night to stabilize his sleeping pattern. A little later Alpha fields would be introduced, forcing Otto into a relaxed alert state while subliminal data was fed to him via the television.

Julia Long glanced across at the innocent-looking 22" Sony TV in its carved wooden cabinet. It was a state-of-the-art Trinitron model with a revolutionary tube providing far better resolution than other models. Resolution was very important because this particular television would be displaying two entirely different pictures to Otto at the same time: the first clearly visible to his conscious brain, with the second perceived only by his subconscious. As with initial hypnotic induction and post-hypnotic suggestion, special operations was way ahead of the academics. Most visual-subliminal techniques used by academic researchers and the media were based on simple 1/50th second flashing messages woven into the standard television frames: subliminal because they were too fast for the brain to see consciously, but far too crude for special operations.

Special Operations used fast, efficient full-frame color input that was also completely undetectable. In room 350 Julia Long had a series of VHS video tapes that would be used to interrupt the normal video films fed to Otto via the in-house hotel video system. They *looked* the same simply because they had the same film content as those shown in the hotel TV guide. Unfortunately for Otto, each of Julia's tapes had been subjected to a special editing process where ultra low-light images had been overlaid on the magnetic tape. Too dim to be detected by the conscious brain or by sophisticated ultraviolet analysis, every one of the thousands of images

would be readily absorbed by Otto's subconscious. The Alpha fields from the ELF generators would force Otto to remain alert but completely relaxed. Experiments had proved full relaxation to be a critical requirement: a single stressful distraction lasting a millisecond could stop the subconscious 'seeing' any subliminal input at all.

As Julia Long finished her iced lime juice and walked out of room 352, she smirked to herself. Though dozens of earnest authors had warned of techniques such as these, the mainstream media had trashed every single one. Fortunately for Special Operations it was beyond the capability of Joe Public to believe that he or she could be influenced in this way, much less be brought under total control within minutes. In fact the ELF fields were quite capable of killing unwitting victims by remote control, as Special Operations had proved on numerous occasions.

There were politicians and scientists out there who persistently refused to heed discreet intelligence community warnings about their behavior, which in turn led to them being found dead in hotel rooms after apparently indulging in bizarre sexual rituals or drinking themselves to death. Too much of the same thing tended to draw attention, so the routine was occasionally varied with a few being programmed to take spectacular flying leaps from tall suspension bridges, drive into buildings at high speed, or hook themselves up to the electrical mains.

With normal targets the procedure was easy enough. When the ELF fields entrained the human brain with a binaural beat it was standard procedure to ensure that the target's breathing was brought under control. If starting in high Beta, slower Delta fields were steadily introduced to decrease the rate of respiration prior to full electro-hypnotic induction. In order to kill a target the silent ELF generators were turned up to full power in binaural mode. Completely at the mercy of the special operations controller, the target's physiology would be manipulated until systolic and diastolic blood pressures became identical, at which point the heart ceased to function and the target died. There was one drawback: powerful ELF fields always increased the level of serum-triglycerides in the target, which could prove embarrassing at post-mortem. It was a simple matter to splash alcohol into the mouth of the target after death, then throw a bottle of booze on his bed or into his car. Basic stuff indeed, but it was enough to fool most pathologists...

\* \* \*

After supper in the hotel coffee shop Otto returned to room 352, showered and then climbed wearily into bed. Within minutes he drifted off into what seemed to be a natural dreamless sleep. It was no such



thing. As soon as Otto lay down, Julia Long in room 350 switched on the highly-directional ELF generators, selected Delta band and flooded both hemispheres of Otto's brain with a powerful 2.5 cycle electromagnetic field. Switching to binaural, Julia adjusted the power setting and slowly started to decrease the Delta field frequency. Otto's respiration followed the silent beat and in less than 60 seconds his brain was entrained at the optimum somnambulistic hypnotic induction frequency of 1.2 cycles. Julia listened carefully to Otto's breathing, faithfully replayed to her by the 'pinhole' audio bug drilled into the separating wall between the two rooms.

"OK you two," Julia turned to her marine technicians. "Use the pass key and start the program. Be sure to cough before you approach the bed so I can turn the fields off. We don't want to knock you out as well, now do we?"

It was a rhetorical question. The marines had learned long ago that Julia was not given to idle backchat, so they quickly made their way from room 350 to room 352, Hank switching on a small battery-powered generator in his pocket, connected by concealed wires to an insulated pad stuck to the palm of his right hand. As they approached the foot of Otto's bed Hank coughed discreetly and one second later unclenched his right hand, placing it flat on the exposed skin of Otto's arm. Faster than a striking cobra, the powerful zapper discharged a five-microsecond pulse which temporarily paralyzed Otto's central nervous system, simultaneously destroying his spatial and time orientation.

Not wasting a second, Hank's colleague wrapped a tourniquet around Otto's arm, exposed a vein and swiftly injected sodium pentathol. the two marines were fast. From point of entry the entire sequence was complete in twelve seconds. both had done the same job many times before. Minutes later Julia slipped through the door carrying an aluminum briefcase from which she withdrew a special pair of headphones that the marines placed over Otto's head. The briefcase contained a miniature version of the laboratory equipment, designed to generate powerful electromagnetic fields in the immediate area of Otto's head without endangering the special operations team.

And so it was that Julia Long started to build a 'decoy' hypnotic level into Otto Jewell. In short sessions over two weeks he was trained to revert to a hypnotic trance only if given two complex trigger-words. Most evenings as Otto watched television he was unwittingly bombarded with subliminal films designed to enhance American 'patriotism', desensitize him to violence, and force him to respond immediately to orders presented at the deep subliminal level. His handling by the marine

technicians was savage: Otto was beaten under electro-hypnosis and the marines warned him that if he failed to carry out their orders, his two young children would be sexually abused and killed. Slowly but surely, without his knowledge or consent, Otto was forcibly recruited as a lifelong member of Special Operations.

Once past the basic stage of induction Julia Long left Otto in the care of her two marine technicians, but continued to fly in occasionally from Morocco and Dakar to check on his progress.

\* \* \*

The conditioning had gone well. In less than a week, Otto had been transformed from a 41-year-old oilman into a 27-year-old member of the RAF, and then converted into a patriotic 27-year-old member of US Special Operations – all life events beyond that age being ruthlessly suppressed by electromagnetically-induced, drug-reinforced, post-hypnotic suggestion. There was no question of Otto Jewell being a 'zombie', however. He was a fully-conscious human being with a chronological age of 41 years, but with the memory and reaction times of a 27-year-old. Julia Long considered the new Otto a marked improvement over the old.

Where before conditioning Otto had been slightly hesitant, he was now supremely confident. As with all terrorists manufactured by special operations, Otto believed he was invincible and that nothing could go wrong with his mission. Where in India Otto had been overweight, he was not trim enough to slide easily into a Northrop Tiger. The intense stress induced by sustained exposure to ELF electromagnetic fields and visual-input, burned off weight faster than the most drastic diet ever devised by the medical fraternity. In all, Otto had shed nearly 30 pounds, virtually without moving a muscle. With his graying hair now dyed jet-black to match his own perception of himself as a 27-year-old, "Mike-Alpha-Delta-3" was indeed a new man.

Exactly at the prearranged time, Mike-Alpha-Delta-3 picked up the specially-shortened Heckler & Koch assault rifle from the table. The Heckler & Koch was fitted with a juno muzzle-brake on its stub barrel to muffle the direction of the shots, and a short-range parallax-corrected telescopic sight. He'd been briefed the flush ammunition-clip forward of the HK's trigger-guard held only five high-velocity fragmentation rounds, but they would be enough. Mike-Alpha-Delta-3 had been ordered to shoot for maximum media effect, and needed only three.

Carefully placing his left foot on the low table and cocking the Heckler & Koch with his left hand, he wound his left arm firmly through the sling to steady the weapon, then pressed the fire selector down to semi-automatic with his right thumb. Next, Mike-Alpha-Delta-3 rested the weapon alongside his left knee and took up the slack on the sling to reduce recoil effect. Because he was firing a long way back from the window to avoid detection, there was only a limited field of fire but he knew the killing-zone by heart. Looking through the scope and studying the area, Mike-Alpha-Delta-3 moved the weapon slightly until he could see the exact killing-zone and a small part of the inner pavement and central gardens.

Breathing slowly and steadily, Mike-Alpha-Delta-3 waited for the two quick flashes of light that would tell him the selected target was just about to enter the killing-zone. It was not up to Mike-Alpha-Delta-3 to pick random targets: that job was reserved for his special operations controller. A helmeted man in a blue uniform walked straight through the cross-hairs of his telescopic sight, but Mike-Alpha-Delta-3 ignored him. Then there were two brief flashes of brilliant white light in the upper left quadrant of the scope, and his finger automatically took up the first pressure on the Heckler & Koch's trigger. One second later, a slim, blond woman walked slowly into the cross-hairs of the telescopic sight.

Mike-Alpha-Delta 3's eyes showed no emotion, his strict code of conduct completely destroyed by covert conditioning: the target had to die to protect true democracy for the world as a whole. His trigger-finger a blur, Mike-Alpha-Delta-3 fired three aimed shots so fast, the muzzle blasts blended into a single cacophony of sound that echoed round the square. the first bullet hit the woman in the stomach and she doubled over, her hat flying into the gutter, while the second and third bullets exploded on the inner pavement, hurling shrapnel into the small crowd of demonstrators. Mike-Alpha-Delta-3 turned swiftly away from the table and removed his balaclava. then, as he walked downstairs and closed the back door of 8 St. James Square softly behind him, the carefully precalculated media hype started in earnest:

"This is an urgent news flash. Minutes ago, shots rang out from the Libyan People's Bureau at No. 5 St. James Square..."

And so it was that Julia Long achieved her objective of creating intense public anger by staging an obscene mission that shocked the British public. As the news flashed round the country, millions were outraged by the slaughter in St. James Square, their perception of the Libyans forcibly distorted for all time. Less than 24 months later, US F-111

bombers took off from British bases and headed south to destroy the "terrorists" responsible, and their wives and children.

With the British media pack in full cry, the American bombers launched a premeditated attack on the civilian populations of Tripoli and Benghazi in Libya, and special operations scored a small personal bonus – a token sacrifice for true democracy for the world as a whole. Colonel Al Qadhafi's fifteen-month-old daughter, Hannah, was murdered by a monstrous 2,000-pound laser bomb, guided unerringly to its tiny target by an American F-111 bomber. Listening to the news on the radio, Julia Long nodded approvingly as she lit a cigarette, before turning triumphantly to her two Marine Special Operations technicians. "That should teach the terrorist sonofabitch a lesson, huh?"

\* \* \*

The feedback I've gotten on Joe's description of the programming is: it's close, but not quite exact. Later we'll discuss the various forms of electronic programming and hear from experts and other survivors. No need to split hairs, Joe's book needs to be published. It tells things like they are in the world where the long tentacles of the CIA entwine with the slimy gums of MI-5.

Due to British fear of the Official Secrets Act, no U.K. publisher has yet published Joe Vialls' book, *Mike-Alpha-Delta-3*.<sup>113</sup> Joe might just be an author of the stature and sales potential of Tom Clancey, but under the curious customs of the Realm, Joe is ignored and banished to the out-back because the Kingdom's fear of officaldom is stronger than the Kingdom's passion for the liberation of the human spirit, for truth, justice and ... say, wasn't England the original home of Common Law? (See the film *Defending The Realm*.)



# Deadly hypnotic conspiracy feared

THE INDEPENDENT November 1, 1957

## Scientists' deaths being linked to work on defence



Scientists' deaths being linked to work on defence

Fragment of text on the left side of the top section.

Fragment of text on the right side of the top section.



General [Name] and Sergeant [Name] at the [Location]



Fragment of text in the middle column.

Fragment of text in the bottom left column.

Fragment of text in the bottom middle column.

Fragment of text in the bottom right column.

Fragment of text on the right side of the bottom section.

## 27

### DEEP PROBE

**J**ose Delgado stood sweating in the center of a bull ring in Madrid. He was sweating from the heat of the sun reflected on the sand. He felt a twinge of natural fear as the door at one end of the walled ring swung open, and a huge black bull lunged forth from the darkness into the *plaza de toros*.

This was a very good bull, one the best *matador* would have desired. It charged as if on rails, straight at Delgado. In front of a ton of black beef, two sharp horns aimed to gore the vital parts of his body.

Delgado stood face to face with the charging Andalusian *toro*. But Delgado was no *matador*. He stood in the ring alone in his shirtsleeves. He wore no "suit of lights" and he carried no cape. Instead of a sword, he held only a little black box.

He wanted to wait until the last possible moment, but he could not contain his fear. When the bull was thirty feet away, he pressed the button on the box. The bull immediately quit his attack and skidded to a halt. *Toro* looked right, then left. Then, as if bewildered, he turned his broad side toward Delgado and trotted away.

From the stands it was difficult to see the metal box between the horns which held that small radio receiver which picked up Delgado's signal and transmitted it as an electric impulse through a probe inserted into the center of the bull's brain. Delgado was not living out the boyhood fantasy of being a *matador*, nor was he demonstrating his bravery. he was demonstrating his faith, as a scientist, in the power of electronic brain stimulation.

Jose Delgado was a neurophysiologist at the Yale University School of Medicine. By 1964, when he made his dramatic demonstration with the bull, he had already been experimenting with electronic stimulation of the brain (ESB) for nearly two decades. His work, supported by the Office of Naval Research, had been inspired by the Spanish histologist Santiago Ramon y Cajal, who said that knowledge of the physicochemical basis of memory, feelings, and reason would make man the true master of creation. Cajal suggested that man's most transcendental accomplishment would be the conquest of his own brain, and upon this premise Jose Delgado began his relentless quest to make his mentor's dream come true.

"From ancient times," Dr. Delgado said, "man has tried to control the destiny of other human beings by depriving them of liberty and submitting them to obedience. Slaves have been forced to work and to serve the caprices of their masters; prisoners have been chained to row in the galleys; men were and still are inducted into the armed forces and sent thousands of miles away to create havoc, take lives, and lose their own.

"Biological assault has also existed throughout recorded history. In ancient China, the feet of female children were bound to reduce their size. In many countries thieves have been punished by having their hands cut off; males have been castrated to inhibit sexual desire and then placed as eunuchs in charge of harems; and in some African tribes it was customary to ablate the clitoris of married females to block their possible interest in other men and insure their fidelity."<sup>114</sup>

The Spanish-born Delgado believed that, thanks to electronic brain stimulation, science was at last on the verge of "a process of mental liberation and self-domination which is a continuation of our evolution." He believed that through the direct manipulation of the brain, society could produce "more intelligent education, starting from the moment of birth and continuing throughout life, with the preconceived plan of escaping from the blind forces of chance."

Delgado believed that by direct influence of the cerebral mechanisms and mental structure it would someday be possible to "create a future man... a member of a psycho-civilized society." He said the needed research could not be "generated by scientists themselves, but must be promoted and organized by governmental action declaring 'conquering of the human mind' a national goal at parity with conquering of poverty or landing a man on the moon."<sup>115</sup>

Delgado insisted that brain research was much less expensive than going to outer space and would produce benefits to society equal to, if not greater than, those produced by space technology.

By the time Delgado's remarks were published, the cryptocracy had already come a long way in developing the techniques to create the "psycho-civilized society" Delgado dreamed of. Delgado himself had been funded by grants from the cryptocracy but, like other researchers, was kept isolated and compartmented. He had no way of knowing about the other government-directed brain control research that was going on simultaneously with his own. A number of government agencies were actually at work on projects similar to Delgado's. Through these projects the cryptocracy had gained the technology for direct access to the control of the brain and through it, the mind.

---

<sup>114</sup> Jose Delgado, *Physical Control of the Mind* (New York, Harper, 1969)

<sup>115</sup> *Ibid.*



In 1949, Dr. Irving Janis of the Rand Corporation had recommended the air force undertake a study of the "effects of electricity on the brain." His report said that, in research based on the literature of the 1940's, there were at least some indications that electric shocks to the brain might be conducive to mind control.

Janis wrote: "Many studies have shown there is a temporary intellectual impairment, diffuse amnesia, and general 'weakening of the ego' produced during the period when a series of electroshock convulsions is being administered."

Dr. Janis was not talking about electronic brain stimulation; he was referring to electro-convulsive therapy (ECT), a crude treatment for schizophrenia originated in Hungary in the 1930's which consisted of passing a strong electrical current through the entire brain at once.

Unlike ESB, ECT was not aimed at the microscopic neural centers of the brain. It was just one large jolt of electricity, which produced, rather than a specific neural event, a massive convulsion. Electrical current administered in such a way temporarily affected the electrical properties of all the neurons in the brain. It produced sharp biochemical changes in the levels of glucose, oxygen consumption, protein synthesis, and other functions. It also produced amnesia, sometimes temporary, sometimes permanent.

As biochemist Steven Rosen said, "The [ECT] treatment is analogous to attempting to mend a faulty radio by kicking it, or a broken computer by cutting out a few of its circuits."<sup>116</sup> Often the extreme convulsions induced by ECT produced such strong muscular contractions that the bones of the subject's body snapped like breadsticks.

But Dr. Janis did not seem to think it too severe a treatment for use in mind control. "From my own and other's investigations of the psychological effects of such treatments," he wrote, "I would suspect that they might tend to reduce resistance to hypnotic suggestions. It is conceivable therefore, that the electroshock treatment might be used to weaken difficult cases in order to produce a hypnotic trance of great depth."<sup>117</sup>

Meanwhile, astonishing discoveries were being made which indicated the use of electronic stimulation of the pleasure center of the brain as a reward for performance could be used to enhance learning. Experiments conducted at the end of World War II showed that rats learned to run around mazes and perform in Skinner boxes better after they had received properly applied electronic stimulation of their brains. Repeated experiments showed that when the animals were rewarded with electricity applied to the pleasure center of the brain, they learned much more rapidly than did animals who were conditioned by rewards of food. One Department of Defense project graphically illustrated the use of such pleasure stimulation conditioning.

---

<sup>116</sup> Steven Rosen, *Future Facts* (New York, Simon & Schuster, 1976)

<sup>117</sup> Irving Janis, *Are the Cominform Countries Using Hypnosis Techniques to Elicit Confessions in Public Trials?*

The Sandia Corporation in New Mexico was asked by the Department of Defense to set up a demonstration of ESB and film the results. Sandia produced a striking film which showed electrodes being implanted into the brain of an army mule. After the mule recovered from surgery, a brain stimulator was placed in a pack on its back, along with a prism and mirror which were arranged so that they operated a photocell when the animal was facing directly toward the sun. When sunlight struck the photocell, it turned on a brief burst of electricity which was sent along wires into the pleasure center of the mule's brain. When the mule turned away from the sun, the stimulation stopped. But when the mule faced the sun again, the pleasurable stimulation resumed.

So wired, the mule marched over hill and dale across the barren land of New Mexico, always facing the sun. Finally it came to the boundary of the property, where a scientist was waiting. The mirror was reversed and then the mule retraced its steps by keeping its back to the sun. Mules are not noted for being cooperative beasts, but this electrically stimulated mule traced and retraced its path without deviation, just as long as the stimulation continued.

Sandia's mule film created a great deal of enthusiasm at the Pentagon. Quickly, the officers saw the military significance of the experiment: mules could be made to clear minefields! They could be used to deliver explosives to assigned targets, much as the Russians had used trained dogs to carry explosives against German tanks during World War II! And what mules could accomplish on land, porpoises, with much greater intelligence, could accomplish in the sea!

It soon became clear to the cryptocracy that electronic brain stimulation held the greatest promise for specific, selective mind control. The usefulness of drugs in manipulating human behavior had been limited by the inability of researchers to control either the desired or the undesired effects of the drugs with any precision. ESB, however, used in conjunction with psycho-surgery and behavior modification, offered unlimited possibilities. After experiments on laboratory animals met with success, human experimentation was enthusiastically undertaken in the quest of the most reliable and absolute method of *remote* control of the mind.

Because human behavior is influenced by many more variables, experimentation on humans proved to be more complex than with animals. Experimenters were constantly reaching false conclusions. Often the observed effects of stimulating certain areas of the brain turned out to be only indirectly related to the stimulation.

For example, a fifty-year-old female mental patient was stimulated in what was thought to be her pleasure center. She had been an extremely withdrawn and melancholy person whose expression always seemed impassive and dour. When electronic stimulation was applied at irregular intervals and different times of day, she would laugh or smile. The scientists concluded that they were stimulating a

strong pleasure region in her brain and grew confident that they had found a way to cure the woman of her melancholia. They began to discuss their findings openly in her presence, until one day she became angry and told them she did not enjoy the experiments at all. She explained to the scientists that the stimulus was not giving her pleasure, it was creating a rhythmic contraction of certain pelvic muscles. She had smiled and laughed from being tickled!

After many years of experimentation, it is still unknown just exactly which effects of electronic brain stimulation are psychological, which are physical, and which are psycho-physical. For every experiment suggesting that a particular behavior change is due to the direct effect of electricity applied to a center of the brain, there are others which suggest that the effect is a result of some psychological response to the initial stimulus.

From the Brain Research Institute at the University of California came a report by Dr. Mary Brazier that one patient continued to "self-stimulate even after electricity was turned off and there was no more current in the electrode." Others gave similar reports, saying that some subjects continued to press a lever which had rewarded them with pleasurable stimulation long after the current was cut off. These subjects pushed the lever hundreds of times when they were receiving no stimulation at all, and kept on doing it until the experiment was terminated.

Several experimenters reported that ESB elicited sexual feelings and in some cases orgasms. In a report summarizing seven years of research with ESB, Dr. R.G. Heath told of one melancholic patient who had attempted suicide a number of times. When all else failed to elevate his mood, doctors resorted to ESB. An electrode implanted in his hypothalamus was activated and the subject smiled. After the experience he said, "I feel good. I don't know why, I just suddenly felt good." Upon further questioning the patient admitted that there might have been sexual overtones in his experience. He said, "It's like I had something lined up for Saturday night... a girl."

Heath reported that in several instances ESB led to orgasm. While orgasms may have been caused by genital sensations created when certain areas of the brain were stimulated, Heath said he did not believe that genital sensations had to be present for orgasm to occur. He observed that self-stimulation usually stopped after orgasm was reached. He concluded that stimulation of the orgasm center of the brain, if that was what had produced the orgasms, appeared to be no more compelling than masturbation.

From the Soviet Union came a report typical of many of the surprising results of ESB. A thirty-seven-year-old woman suffering from Parkinson's disease was given ESB treatments to alleviate the effects of palsy. The stimulation evoked sexual sensations which eventually led to orgasm. The woman then began to hang around the laboratory. She would initiate conversation with aides and assistants whenever she could. She even waited for them in the hospital corridors

and the garden trying to find out when the next session was scheduled. She was especially affectionate toward the doctor who was throwing the switch to activate the probes in her brain. When she was finally told that there would be no more stimulation, she displayed extreme dissatisfaction.

Strangely, the stimulation did not give the woman any sexual pleasure until her menstrual cycle, which had been absent for eight years, resumed as a result of the stimulation. Soviet investigators expressed their belief, based on studies such as this, that the motivational consequences of ESB are subject to conscious control. This conclusion is supported by the results of many experiments in the West as well.

In 1964 Richard Helms reported to the Warren Commission (see Appendix A) that the trend in the Soviet Union was to build "the New Communist/Man" through cybernetics (the use of machines as control mechanisms). Helms quoted an unidentified Soviet author saying: "Cybernetics can be used in 'molding of a child's character, the inculcation of knowledge and techniques, the amassing of experience, the establishment of social behavior patterns... all functions which can be summarized as control of the growth process of the individual.'" The Helms memo indicated that the Soviets did not possess any knowledge which the West did not have, and in some areas even lagged far behind U.S. research. The tone of his memo seemed to suggest that the U.S. cryptocracy was also interested in creating a "new man" -- a cyborg.

ESB has, meanwhile, been strikingly successful in other areas. It has been used to modify mental mechanisms, to produce changes in mood and feelings, to reinforce behavior both positively and negatively. It has been used to activate sensory and motor regions of the brain in order to produce elementary or complex experiences or movements, to summon memories, and to induce hallucinations. It also has been used to suppress or inhibit behavior and experience and memory -- outside of the conscious control of the owner of the brain.

ESB has inhibited the intake of food. It has inhibited the aggressiveness and even the maternal instinct. It has been widely used in medical research to help stroke victims recover from paralysis and to block epileptic convulsions. It has proved to be an aid to paraplegics in controlling their bladders and it has helped certain kinds of paralysis victims to walk again. It has been found to be effective in blocking even the most severe pain.

ESB has been used by psychiatrists to improve mood, increase alertness, and produce orgasm. It has been used as a conditioning tool to "cure" undesirable social behavior. And in 1974, the first victim of Parkinson's disease treated by ESB walked gracefully out of a San Francisco hospital under his own power, thanks to portable ESB. He had a "stimoceiver" implanted in his brain which he could activate from a battery-powered device in his belt. The "stimoceiver," which

weighed only a few grams and was small enough to implant under his scalp, permitted both remote stimulation of his brain and the instantaneous telemetric recording of his brain waves.

Ten years before, Dr. Delgado had foreseen the day when a psycho-civilized society would resort to the use of such stimocervers for control of the masses. He had said, "A two-way radio communication system could be established between the brain of a subject and a computer. Certain types of neuronal activity related to behavioral disturbances such as anxiety, depression, or rage could be recognized in order to trigger stimulation of specific inhibitory structures..."<sup>118</sup> What he was describing was a society kept under emotional control by electronic brain manipulation. Rather than have man control a machine with his brain, Delgado wanted the control of man by machine.

The present state of Western technology enables man to open garage doors, fly model airplanes, and change television channels by remote control. The government communicates via telemetry with satellites far out in the solar system. Medical scientists monitor heartbeats and vital functions of patients in hospitals and astronauts on the moon. And by the late 1960s, the "remote control" of the human brain -- accomplished *without* the implantation of electrodes -- was well on its way to being realized. From the testimony of a number of people we've interviewed it would appear that the techniques have been perfected. Prevalent are reports of hearing voices -- even holding two way conversations, and being eavesdropped on by person or persons unknown. In another day this would have been diagnosed by psychiatrists as schizophrenia. Today scientists are not so quick at making their diagnosis. In a day when all the symptoms of acute mental illness can be induced by remote control, the doctors are beginning to take another look.

A research and development team at the Space and Biology Laboratory of the University of California at the Los Angeles Brain Research Institute found a way to stimulate the brain by creating an electrical field completely outside the head. Dr. W. Ross Adey stimulated the brain with electric pulse levels which were far below those thought to be effectual in the old implanting technique.

In one experiment, Dr. Adey analyzed the brain waves of chimpanzees who were performing tasks that involved learning. He established that there were two very distinct brainwave patterns which accompanied correct and incorrect decisions. Building on this, Dr. Adey attempted to control the rate at which the chimps learned by applying force fields to the outside of the head to alter behavior, moods and attention. Dr. Adey's research indicated his subjects were able to remember new information faster and better with stimulation.

In the vanguard of brain technology, Dr. Adey worried about misuse of ESB when applied to humans. "My personal concern," he said, "is that we do it well. That if

---

<sup>118</sup> Delgado, *op.cit.*

we decide this manipulation is feasible, we do it in ways which are socially acceptable."<sup>110</sup>

Eight years before Dorothy Burdick published her book, on February 5, 1974 an article in the San Francisco Chronicle reported that a small computer had been invented that sorts electrical signals picked up from the human brain and sorts them out. Headlines "Brain Waves May Tell What's On Your Mind," the story by Charles Petit read:

**A study is underway at the Langley Proter Neuropsychiatric Institute here to learn if brain waves can reveal a person's natural aptitudes and intelligence -- and possibly a person's thoughts.**

**Crucial to the study is the use of a small computer that sorts electrical signals picked up by eight electrodes fastened like a crown around the scalp.**

**With the computer, researchers can discover where in the brain various types of high frequency, low energy brain waves originate.**

**Scientists think that brain waves, instead of being non-functional side effects of cerebral electrical activity, may actually be carrying messages from one place in the brain to another.**

**Dr. Enoch Callaway, a psychiatrist, is directing the research with a grant from the Office of Naval Research. (My emphasis.)**

**The Navy's interest, he said, is mainly to see if computer analysis of brain waves could be useful in determining the aptitudes of new recruits.**

**During an interview, the 50-year-old Callaway said it was 100 years ago that a German psychiatrist named Hans Berger first discovered brain waves. Berger hoped the rhythmic energies of the mind would reveal the secrets of extrasensory perception.**

**However, the use of the waves has been largely restricted to electroencephalograms that detect irregularities in brain waves -- a means of diagnosing organic brain disease.**

**Considerable attention has also been paid lately to the conscious control of low-frequency brain waves, the most obvious example being "alpha wave bio-feedback," techniques.**

**However, Callaway's interest lies deeper in the brain where fleeting, high frequency waves of "electrical potential" flicker in curtains across the brain, often bypassing the neural pathways, usually thought to transmit the mind's internal messages.**

---

<sup>110</sup> Fred Warshofsky, *The Control of Life: The 21st Century* (New York, Viking, 1969)

Callaway is using computer techniques developed by a partner in research, Peter Harris, a senior computer programmer.

Other things volunteers are asked to do are stare at flashing lights, or lights that change color, read a book or stare at a picture a while their brains are being monitored, said Harris.

By running tests repeatedly, the computer can pick out which electrical signal always accompany a specific stimulus.

So far, Callaway and others in the field can distinguish between a person looking at a green light and one looking at a red light. They have also found that quickness of response is in some unexplained way related to IQ as measured with standard intelligence tests.

In addition, he has found that concrete, analytical thinking is accompanied by increased electrical activity in the left hemisphere of the brain, while intuitive and abstract thought brings the right hemisphere into dominance.

What it adds up to, said Callaway, is the possibility of charting areas of dominance in individual brains and correlating them with mental skills displayed by those individuals.

Further in the future is the possibility of monitoring the actual messages -- if they exist -- being transmitted across the brain. It may then be possible to use electronics to tell what a person is thinking, he said.

Callaway admitted that the Orwellian possibilities "are undeniable." Among the misuses possible, although far in the future, would be government thought control.

The *Los Angeles Times* carried a story on March 20, 1976 headlined: "Sci-Fi Comes True, MIND READING MACHINE TELLS SECRETS OF THE BRAIN. By-lined Norman Kempster, datelined Washington, the story was of a government mind reading machine which could show, among other things, whether a person is fatigued, puzzled or daydreaming.

"If the project lives up to its promise, the machines could be in use in airplane cockpits before the end of this decade to warn a pilot that his mind is wandering and he is failing to perform essential duties," Kempster wrote.

"Since 1973, a little-known Pentagon agency has been studying ways to plug a computer into an individual's brain waves -- or electroencephalograph (EEG) signals in the scientist's lexicon. The Advanced Research Projects Agency says the \$1 million-a-year program has passed its initial laboratory tests and is ready for determination of its military uses."

The story revealed that scientists at UCLA, Stanford, MIT, the University of Illinois and the University of Rochester and in laboratories "at other facilities" had been able to determine an individual's alertness from their brain waves. They could also tell how they perceive colors and shapes. "But there may come a day when the EEG will be used to perform far more bizarre tasks," Kempster wrote.

"At UCLA," Kempster wrote, "scientists are working on the use of the EEG to control machines. To give it a trivial application, a spiritualist could use thought waves to make a table levitate."

In 1975 a primitive "mind reading machine" was tested at the Stanford Research Institute. The machine is a computer which can recognize a limited amount of words by monitoring a person's *silent thoughts*. This technique relies upon the discovery that brain wave tracings taken with an electroencephalograph (EEG) show distinctive patterns that correlate with individual words -- whether the words are spoken aloud or merely subvocalized (thought of).

The computer initially used audio equipment to listen to the words the subject spoke. At first the vocabulary was limited to "up," "down," "left," and "right." At the same time the computer heard the words, it monitored the EEG impulses coming from electrodes pasted to the subject's head and responded by turning a camera in the direction indicated. After a few repetitions of the procedure, the computer's hearing was turned off and it responded solely to the EEG "thoughts." It moved a television camera in the directions ordered by the subject's thoughts alone!

This "mind reading machine" was the creation of psychologist Lawrence Pinneo and computer experts Daniel Wolf and David Hall. Their stated goal was eventually to put a highly skilled computer programmer into direct communication with the computer. Their research indicated that a nonsymbolic language -- brainwave patterns -- did exist. By teaching computers this language, the time consuming practice of speaking or writing computer instructions could be abandoned. Faster programming would result in an information explosion whose effects could cause a transformation of our civilization unlike anything that has happened since the Industrial Revolution.

Many beneficial effects of the Stanford "mind reading machine" may eventually accrue. Physically handicapped people may be able to use mini computers to interpret signals from their environment and compensate for the loss of some bodily functions. The deaf may be able to hear; the blind to see, the paralyzed to walk.

Military applications of a "mind reading machine" will someday allow faster computer input and output of information, remote control of war machines, and even the creation of animal or human robots to do the bidding of the military.



Norbert Wiener, the "father of cybernetics," once said the human brain, while functioning in a manner parallel to the computer, actually imitates only *one run* of it. Rudolph Flesch clarified Wiener's statement, adding that it was the computer which had the advantage since it had the ability to store memory away until needed for the consideration of a new problem. He said that while the machine starts each new problem from scratch, man carries his past with him until he dies.

One young scientist at Rockefeller University, Dr. Adam Reed, worked under a Department of Defense contract to change all that. At a 1976 symposium of the American Association for the Advancement of Science, Dr. Adam Reed said, "Ideally, the computer of the future should be an electronic extension of the natural brain functioning in parallel with some of the existing brain structures and using the same program and data languages."

According to Dr. Reed, within two decades it will be possible to encode and transmit brain waves from a small device implanted inside the skull. It will be linked by radio control to a large computer with a huge memory bank which, he said "will have stored in it everything you might want to know about foreign languages, mathematics, music, history -- and any other subject you would want to add. You'll enjoy instant recall. The information stored in your own memory cells and in your computer will be readily accessible. You won't be able to forget things... You'll also be able to calculate even the most complicated problems with split second speed."

But Dr. Reed admitted there were very real dangers to mental freedom posed by the brain technology now being developed. "It is essential that people be able to use them [computers] for their own purposes rather than for purposes imposed on them by the political structure."

While Dr. Reed conceded it was "conceivable that thoughts could be injected" into a person's mind by the government, he indicated he did not believe it had already been done. "If the political system changes and massive abuses appear likely," he said, "that would be the time to disappear from the society."

Dr. Lawrence Pinneo at the Stanford Research Institute also discouraged the idea of a conspiracy to create a "psycho-civilized," mind-controlled society. When asked if there weren't a real and present danger of government control of the thoughts of citizens posed by brain-computer technology, Pinneo told a San Francisco reporter, "Anything is possible. But government could lock us all up today, so this sort of thing doesn't really change that possibility. It is really up to us to be vigilant against misuse."<sup>120</sup>

Typically, the scientists have not been vigilant enough for the cryptocracy already has developed remote controlled men who can be used for political assassination and other dangerous work, as is the cyborg in the "Six Million Dollar Man" -- but

<sup>120</sup>

Lawrence Pinneo, *San Francisco Chronicle*, June 28, 1974.

for less noble purposes. Cyborgs -- altered and controlled humans -- are far less expensive than fully mechanical robots. Due to the high cost of technology men are cheaper than machines, and much more expendable.

Among the many reports we've received about this invasive technology, the following is worth repeating, since many of the EM-Target victims think it's authentic and say that it fits the phenomena they're suffering. It appeared on August 15, 1993 on the alt.mindcontrol newsgroup on the Internet. The author was Patrick A. Warden, who we could not locate. The e-mail report would appear to be autobiographical:

**From: Newsgroups: alt.mindcontrol Subject:ESP CIA Date: Aug 15, 1993 Organization: PC-OHIO PCBOARD - Cleveland, OH, Patrick A. Warden CompuServe address 73121,1417**

**Subject: mind cotnrol and mental telepathy**

**August 1, 1993**

In 1969 Mr. Warden scored in the 98th percentile in a standardized, high school intelligence test. He was a National Merit Finalist, and graduated from the University of California at Berkeley with honors. His background is in the liberal arts with an introduction to the physical sciences. He again scored in the 98th percentile in the verbal and mathematical sections of the Graduate Record Exam in 1977. For what he is about to relate, Mr. Warden was hospitalized twice on psychiatric wards for paranoid schizophrenia, first for ten days and then for two weeks, culminating in forced confinement to a state mental institution for eight months in 1986. Today he works as a public relations writer for a non-profit organization providing disability services in Los Angeles.

Circa 1980 he was the subject of a recruitment attempt and an experiment involving mental telepathy, conducted by the Central Intelligence Agency. Shortly thereafter he was contacted by means of mental telepathy, operated by the governments of the United States and other major world powers, in particular, that of the former Soviet Union. The purpose of the contact was, first, to inform him of the true nature of the disembodied voices he had been hearing in his mind that by the medical profession had been ascribed to schizophrenia, and second, to recruit him as a public relations officer for the CIA and the Mental Telepathy System (MTS).

The MTS is operational on the public and involves what might commonly be known as mind control. It is a system of technology that operates apparently by radio and microwaves, and that can broadcast voices and sensations, and affect the autonomic nervous system across distances. It is a hardware-based system that involves

transmitters, antennas and amplifying devices. Though in its most primitive form the MTS mimics psychic phenomena, it involves man-made technology as distinct from whatever natural psychic phenomena may have occurred throughout time.

Without their knowledge, many people are under the influence of the MTS, which due sometimes to foreign control, can manifest itself in the bizarre and disturbing psychopathic outbreaks that appear from time to time in the news media. The voices that the Son of Sam serial killer thought he heard from the dog in the backyard of the neighboring apartment building in the mid-to-late 1970's probably resulted from the MTS. The foreign student at UC Berkeley who took hostages at the street cafe around 1991, claiming he was under the influence of government mind control experiments, also probably was affected by the MTS. Events such as David Koresh's control over the Branch Davidian cult in Waco, Texas during 1993 can also fully be accounted for by, and probably were the result of, his being unknowingly influenced by the worst aspects of the MTS.

#### **BACKGROUND**

The MTS goes back as far as the time of the Kennedy Administration and the outbreak of Beatlemania shortly after the President's assassination. Its actual origins are unclear, but may have had something to do with Nazi war experiments. In the early 1960's the Soviet Union had the advantage with this technology, and deployed it in western nations in the form of a mood altering broadcast wave that put people under its sway. Known a few years later as the Biofeedback Transponding Crowd Control System, the Soviet mind control technology was installed in places such as Berkeley, California, where it was used for subversive purposes to foment mass demonstrations, and also for international exchange and quasi-diplomatic efforts to promote understanding and sympathy for the Soviets among American people. Mental telepathy technology was the joint and evolving development of the intelligence forces of the United States, the CIA, and the Soviet KGB. Reflecting the international tensions between the two countries, it grew in a manner similar to the competition of the space race, with civilian and military implications. The Soviets, who had the upper hand on the mental telepathy technology, used it in the US for espionage and subversion, trying to gain access to the minds of scientists involved in government weapons research, and to foment civil unrest and pro socialist sympathy among the younger generation of Americans.

Faced with the missile gap of the late 1970's, the advances by the Soviets with their particle beam accelerator, and similar national defense issues, the Reagan Administration came to power and began

a concerted push, known as COINTELPRO -- the counterintelligence Program. Through COINTELPRO, the defense buildup and the beginning of the space shuttle program, which was able quickly to put into orbit more of the intelligence and communications satellites that operate the MTS at its upper levels; the US was able to gain the upper hand in the MTS. Truth as we know it in the US won out over the disinformation propagated by the Soviet mental telepathy system, known informally as "Vodka." Since the dissolution of the Soviet Union the mental telepathy wars conducted between telepaths, or mental telepathy operatives, of the CIA and the KGB have come to an end, although why psychopathological outbreaks continue among the population remains unclear

The American MTS, which was influenced and partially operated by the KGB in particular during the 1970's, politically fell under the observation and verification clauses of the SALT I and II treaties. When it became clear that the Soviets were gaining too much influence over the American public, SALT II drew increasing discontent among government leaders and was scuttled. Under the provisions of SALT, the Soviets were permitted to operate mental telepathy in diplomatic colony zones such as Berkeley, also known as "Pacifica." The US essentially was blackmailed into accepting the Soviet proposal of mental telepathy operation in this country, due to their relative superiority in research and development in the field of artificial mental telepathy. COINTELPRO recruited a sufficient number of Americans, however, to develop the American MTS, and the intelligence satellites that play a primary role in propagating it across wide areas, to the point where it effectively could combat the Soviet Vodka telepathy.

Present control of the MTS is improving, with better mental and psychological conditions for the telepaths who are affected by it, because the KGB is no longer intact to propagate its particular brand of psychological mischief and violence; but because the MTS still remains under wraps, the heirs of the Soviets, apparently the Russians and affiliated republics, probably still continue to foment the violence that periodically erupts in the form of serial killers with bizarre and demented notions, and other forms of psychopathology in the news media.

The provisions of the Detente-era treaty governing the MTS and Vodka hold that Russian telepathy will continue in the US until the MTS is operated en pleine jour, or in broad daylight without government camouflage and denial, in the US-or elsewhere in the world of that matter. In other words, the Russians will continue to operate Vodka in the US, though at a more hospitable level, until the

government, or someone, "blows the cover" on mental telepathy, and this new technology becomes public knowledge.

Mental health professionals say that there are approximately two or three million people in the US who are affected by some form of schizophrenia or related abnormal mental phenomenon. Many of these people probably hear voices in their minds, and most of them probably are under the influence of the MTS and Vodka. The number of these "subjects" who are fully consciously aware of the MTS, and of the source and the nature of the voices and visual images, or both, that they hear and see in their minds, is unclear. A guess at an estimate places it at from a few to several percent. Thus, there are probably a few to several tens of thousands of people in the US who are conscious telepaths, many of them operating in consonance with the CIA, which is the governmental agency responsible for the MTS. Among the telepaths there is a code of silence that the MTS itself propagates to "preserve appearances" and to maintain one's personal reputation and credibility. Some telepaths seem to make personal contact with one another and to have their experience of the MTS thereby confirmed. Other telepaths operate solely by remote control, as it were, receiving messages and directives only through the voices and visual images in their minds, and never making objective contact with anyone else who can substantiate their experience. Still, the MTS is quite real and apparent to the telepath, and not delusional, because he or she receives other means of verification, such as foreknowledge of events before they occur, because the MTS can and often does orchestrate happenings through other MTS subjects who are influenced by the MTS, but who are not aware of its actual source and nature.

### **THEORY**

The human brain emits electromagnetic waves, known to biofeedback researchers as alpha, beta and delta waves. These fall into the frequency range of from about 10 to 15 Hz. An electroencephalogram reveals these waves in the stylus' trace upon the paper. They have a definite frequency that corresponds to the mood and mental state of the person. Different parts of the brain emits slightly different waves, and when EEGs are made and different traces are obtained from each of the various electrodes pasted to the person's scalp. When a radio receiver is configured to tune into these waves on the order of 10-15 HZ, as opposed to the 100 megahertz that household radios receive, then the brain's activity can be detected.

A wave form analyzer is needed to decode the person's brain waves and correlate them with the person's speech. When the person is put

into an excited and energetic state, and prompted to free associate aloud so that whatever words the person is thinking he also is speaking, with no cognitive filtering or gap between the word in thought and the spoken word, then the person's audible speech can be associated with the brain waves that are emanating from the speech area on the left side of the brain. A speech synthesizing and recognizing computer is needed to recognize the individual words. As the subject calibrates the system, individual wave forms emanating from the person's brain and scalp for each word he is thinking can be correlated through the wave form analyzer with the audible sound produced from the person's mouth. Each particular wave form for each particular word can then be used by the computer to correlate with the individual words in the computer. Then when a specific word is thought by the subject, the accompanying electromagnetic wave emanating from his brain can be detected and received, and analyzed by the wave form analyzer, and then fed to the computer, so that the computer can recognize in its vocabulary the particular word the subject is thinking. Once the computer recognizes the word it can be output or processed in any way the operators of the computer wish.

The telepathy subject can also receive messages in a similar manner. Once the person is calibrated so that the computer recognizes which wave forms correspond to which particular words, those wave forms can be broadcast to the subject. Thus, the subject will hear a particular word in his mind when the appropriate wave form is transmitted to the proximity of his brain.

In the MTS, computers govern the speech that passes through the system. Certain words can be propagated with increasing frequency of occurrence, and other words or ideas can be filtered out and disfavored so that they are not often repeated. By limiting the mental telepathy vocabulary, communication is facilitated among a wider range of subjects because they have more in common among their thinking and fewer idiosyncratic and subjective thoughts. The simpler is kept the level of thinking, the easier it is for the system to calibrate the subjects and to foster mental communication among a wider number of subjects. Easier than words are to detect and decode, a person's mood, and agreement or disagreement to a statement or set of circumstances, can be detected. Thus, at a rudimentary level, words can be broadcast to a person by the telepathy computer, and even if that person has not been calibrated, the waves emanating from the person's brain can be detected and correlated with a positive, or truth, disposition; or with a negative, or lie, disposition. By determining which proposition elicits one of

dislike or disagreement, the computer can gain a personality profile of the subject.

While it is fairly easy to understand how electromagnetic waves can be broadcast from different, distant locations to MTS subjects who receive them as words in their minds, it is more difficult to understand how antennas can be brought near enough to the subjects to detect the relatively weak signals emitted by their brains amid the background noise and interference from the preponderance of energy fields in the urban environment. Apparently, power lines, household wiring and telephone lines play a role in receiving the signals from subjects' minds. Since any fluctuating energy field induces a current in a nearby conductor, the household wiring and telephone lines that are seemingly everywhere could also serve as antennas for the subjects' brain waves if they were tapped into by MTS receiver circuits and the extraneous noises were filtered out. Since this naturally involves greater technical difficulty than broadcasting thought waves, it is safe to say that more people receive the MTS signal in their minds than have their thoughts read and received by the MTS computer. Still, by prompting subjects and broadcasting to them thoughts that pretend to be their own, the subjects' simpler states of agreement and pleasure, or disagreement and dislike, can be detected by the MTS; to pick up verbal thoughts of the subject, apparently he has to be calibrated according to something like the above described process.

#### CONCLUSION

Since the undercover telepathy war between the telepaths of the US and the CIA, and the telepaths of the Soviet Union and the KGB has ended with the resolution of the Cold War, telepathy conditions have improved. While the espionage and subversion aspects of Vodka as operated by the USSR are no longer as serious as they once were, still the incidence of telepathy contact does not appear to have diminished. The level of activity in each telepath's, or subject's, mind may have decreased to a more comfortable level, but there do not appear to be a fewer number of people who feel that something strange is going on in their minds, who have thoughts and mental phenomenon that appear to them as alien to their usual way of being.

With the apparent success of COINTELPRO and the US government's policy of containment toward Soviet telepathy, there still appears not to be any retraction of the basic deployment of the MTS. Under the Detente-era SALT agreements, the Russians continue to propagate telepathy in the US and elsewhere, and the CIA in turn must operate the MTS to counteract Vodka's influence. Lately in the telepathy system there has been reference to the Artificial Intelligence Program

(AIP). AIP would be the equivalent of the CIA and the KGB or the Russians beating the swords of the undercover telepathy wars between the MTS and Vodka into plowshares. The MTS could be used for peaceful and civilian purposes to foster communication among disparate groups of people. Once it is operated en pleine jour, the Russians would feel that the agreement between our and their governments had been fulfilled, and they would withdraw their telepathy system. The CIA could turn off the MST and free thousands upon thousands, if not millions, of people who have had their lives and their minds disrupted by thoughts that are not their own. From the vantage point of one who has been a conscious subject of the MST for 12 years, and who has been unconsciously under the sway of friendly and enemy telepathy ever since he had his first pseudonervous breakdown at the age of 21, telepathy that is controlled by others beyond one's reach certainly is not any invention to be heralded. Many people have suffered, and a number of innocent people have lost their lives at the hands of hapless psychopaths who stumbled into Vodka's telepathy and were remotely motivated to commit violent atrocities. Still, AIP holds promise for the future, for if the US and Russia can emerge from the Cold War as friends and allies more than as enemies, then the MTS and Vodka will have accomplished something. If AIP were better controlled by its subject telepaths, then it would be a development more positive in its implications than negative. Above all, one's greatest hope should be for freedom from external control and liberty to enjoy a restored privacy of the mind.

Disinformation or the real thing? Put it in the research mill and see what else comes up. Ask some researchers in the former Soviet Union if they've heard of "Vodka", not the liquor, the mental telepathy machine. Which is what makes me suspect this memo, despite its serious tone, could be a joke.

When promoting OMC in 1978 I was on the Gay Bern show in Ireland (a one-a-week Tonite Show format). I managed to hold the well-read Irish audience's interest for 20 minutes, which the producer told me was a difficult thing to accomplish. Following me was John McGuffin who had written *The Human Guinea Pigs* a year before. It tells about the British use of mind control technology in the fields and prisons of Northern Ireland. This time McGuffin was flogging his new book, *Poteen*. It was a well-researched, illustrated tome about the illegal potato liquor which is traditionally made in the bathtubs of Ireland much as Moonshine is made in the Mountains of Kentucky.

"Mind control," McGuffin said, holding up a glass of poteen, "This is mind control." Likewise, I'm told that in Russia Vodka (the alcoholic kind) is the dominant form of mind self-control.





Spanish matador Dr. Jose Delago with a mind-controlled bull (above). He holds only a radio transmitter in his hand behind the cape. When the bull got too close he dropped the cape, ( below) and, with bad form, pushed the button on the transmitter. There was no elegant pass of the toro through his cape. The bull simply went into reverse. Though the CIA threw money at Delgado, he was not awarded even a trophy ear for his bullfight performance/demo of ESB



Dr. John Lilly, author of *Center of the Cyclone* and most noted for his work with Dolphins, is shown here preparing a monkey for tests by implanting a stimulator into its brain. The movie *Day of the Dolphin* was based on Lilly's dolphin research days.

## 28

### FROM BIONIC WOMAN TO STIMULATED CAT

In 1967 a writer named Lincoln Lawrence published a book which asked the question: Was Lee Harvey Oswald a robot-assassin programmed by a sophisticated technique known as RHIC-EDOM? The letters stood for Radio Hypnotic Intra-Cerebral Control-Electronic Dissolution of Memory.

Lawrence speculated that Oswald had been behavior-controlled and prepared during his "defection" to the Soviet Union as a "sleeper" agent programmed to return to the United States and murder on cue. It was the Manchurian Candidate theme, with one exception. Lawrence insisted that the Russians had not masterminded the RHIC-EDOM plan. It had been masterminded, he thought, by an international cartel of commodities merchants who sought to make millions by driving the market with the assassination of a president – any president.

Lawrence wrote, "Lee Harvey Oswald was to be utilized as... (and now you must clear your brain and put aside your preconceived notions of what espionage and sabotage are *today*)... an RHIC controlled person... somewhat like a mechanical toy. An RHIC controlled person can be processed (as Oswald was in Minsk, allowed to travel to any country... and be put to use even years later by the application of RHIC controls. In short, like the toy, he can in a sense be 'wound up' and made to perform acts without any possibility of the controller being detected.

"Under RHIC, a 'sleeper' can be used years later with no realization that the 'sleeper' is even being controlled! He can be made to perform acts that he will have no memory of ever having carried out. In a manipulated kind of kamikaze operation where the life of the 'sleeper' is dispensable, RHIC processing makes him particularly valuable because if he is detected and caught before he performs the act specified... *nothing* he says will implicate the group or government which processed and controlled him."<sup>121</sup>

---

<sup>121</sup> Lincoln Lawrence, *Were We Controlled? The Assassination of President Kennedy* (New York, University Books, 1967)

Mr. Lawrence used as evidence the official Russian records that Oswald had been admitted to the hospital in Minsk at 10 a.m. on March 30, 1961. The records state that he was admitted with complaints about suppuration from the right ear and a weakening in hearing. Lawrence said this was a cover-up for "the real reason" for Oswald's stay -- but there was one oversight. He was hospitalized for eleven days for an 'adenoid' operation. Eleven days for an 'adenoid' removal is, of course, preposterous. In austere Soviet Russia it was particularly ridiculous!"

What really happened, according to Lawrence, was that during the operation a small electrode was implanted inside Oswald's mastoid sinus. The electrode responded to a radio signal which would make audible, inside Oswald's head, certain electronic commands to which he had already been posthypnotically conditioned to respond. (The autopsy report in Dallas noted that there was a small scar on the mastoid sinus behind Oswald's ear.)

In 1967 the idea sounded utterly preposterous. Mr. Lawrence's book, *Were We Controlled?* found only a minuscule audience. Lawrence, on the other hand, may have had much more evidence than he was allowed to present. His credentials indicated he had been "working in liaison with the department of defense."

In 1975 the RHIC-EDOM story surfaced again. This time a Tennessee journalist said he had been given top secret documents by two former CIA officials whom he would not identify. The journalist, James L. Moore, said the papers in his possession described the details of "a military technique of mind control called Radio-Hypnotic Intra-Cerebral Control--Electronic Dissolution of Memory."

Moore described the RHIC-EDOM file as a 350 page scientific report, which was prepared by the CIA immediately after the murder of President John F. Kennedy. He said it described a way of turning men into electronically controlled robots programmed to kill on command.

According to Moore, in the initial (RHIC) stage of programming the prospective killer is put into a deep hypnotic trance, and conditioned to go into trance at the sound of a specific tone. "A person may be placed under this control with or without his knowledge, programmed to perform certain actions and maintain "certain attitudes" whenever he hears the tone. "Effective for a lifetime," Moore said, "control may be triggered weeks, months, or even years after the first 'hypnosis' and programming."

"Medically," Moore continued, "these radio signals are directed to certain parts of the brain. When a part of your brain receives a tiny electrical impulse from outside sources, such as vision, hearing, etc., an emotion is produced -- anger at the sight of a gang of boys beating an old woman, for example. This same emotion of anger can be created by artificial radio signals sent to your brain by a

controller. You could instantly feel the same white hot anger without any apparent reason."

The second part of the process, electronic dissolution of memory (EDOM), Moore said, is more complex. "In the brain is a chemical called acetylcholine, which carries electrical impulses from the eyes, ears, nose, nerve endings etc., to the part of the brain where memory is located. Memory is nothing more than the recording of these electrical impulses, and acetylcholine is the path (or 'wire') that connects the inner brain to the nerves of your eyes and ears... By electronically jamming the brain, acetylcholine creates static which blocks out sights and sounds. You would then have no memory of what you saw or heard; your mind would be a blank."

Moore said that according to CIA documents, this method can be used either to block the memory completely, or to slow it down so events seem to have happened later than they actually have. According to a knowledgeable CIA source, this is what happened in Dallas and later in Los Angeles," Moore stated.

Moore quoted his unidentified source as saying, "That was the first thought to hit us at CIA. It's pretty obvious Ruby was programmed to kill Oswald, even by Ruby's own words... As for Sirhan there is no other explanation; it's a proven fact that his memory has been completely erased."

"The assassination of John Kennedy," Moore said "was carried out by disgruntled CIA and FBI personnel, using Mafia and Cuban exile flunkies."<sup>122</sup>

The claims of James L. Moore would sound fantastic were it not for the abundance of information to support the possibility of their validity.

The Helms memo to the Warren Commission mentioned something called "biological radio communication." Although the term was not fully explained, Helms related it to ESB: "Current research indicates that the Soviets are attempting to develop a technology for control in the development of behavioral patterns among the citizenry of the USSR in accordance with politically determined requirements of the system. Furthermore, the same technology can be applied to more sophisticated approaches to the 'coding' of information for transmittal to population targets in the 'battle for the minds of men.'"

It seems entirely possible that the "radiomagnetic waves" Moore referred to and the "biological radio communication" Helms referred to may be one and the same. Both terms probably describe waves radiated in the electromagnetic spectrum. Both sound waves and radio waves have been studied for their coercive effect on the mind. Ultrasonics are sound waves, traveling in a medium different from the radio medium.

---

<sup>122</sup> James Moore, *Modern People*, August 18, 1975.

A 1951 MKULTRA CIA memo also described what could be related to RHIC-EDOM. "There is no reason to believe that Russia and some the satellites have not investigated the effects of ultrasonics on man, perhaps to the extent of its possible use in the future for interrogation purposes. We have no reports which indicate past use of ultrasonics on prisoners for this purpose, but its possible use should be taken into consideration."

Meanwhile, ultrasonics research was underway. Drs. W. Fry and R. Meyers of the University of Illinois used focused ultrasonic waves to make brain lesions of a very controlled size. Their research, conducted in 1961, demonstrated the great advantage of ultrasonics over the psycho-surgical techniques which implanted electrodes in the brain. By using low-energy sound beams, Fry and Meyers stimulated or destroyed neural tissue at the point of focus of the beams without cutting or drilling into the brain.

A few years later Dr. Peter Lindstrom at the University of Pittsburgh used a single unfocused sonic beam to destroy fiber tracts without damaging the nerve cells next to them. Lindstrom used this "prefrontal sonic treatment" as a substitute for lobotomy, to destroy fiber tracts in the frontal lobes of patients who had either untreatable pain or severe psychiatric disorders.

The cryptocracy's secret funds and guidance directed a number of research projects into the effects on the brain of various vibrations beyond the perception of ordinary human senses. In one experiment recommended by Norbert Wiener, a sheet of tin was suspended from the ceiling and connected to a generator working at ten cycles per second. When large field strengths of one or two volts per centimeter (a very minute amount) were oscillating at the alpha frequency of the human brain, extremely unpleasant sensations were reported by the volunteer subjects.

Scientists at the Brain Research Institute of the University of California took up the investigation of the effects of oscillating fields, subjects showed measurable degeneration in performance of simple tasks.

These and other experiments led the cryptocracy to study the effects of very-low-frequency sound (VLF) --the opposite of ultrasonics -- as an instrument of war. Research revealed there is a natural wave guide between the ionosphere and the earth which could be used to propagate very-low-frequency radiation and guide it to selected locations on the earth. Studies showed this low-frequency sound subtly affected the electrical behavior of the brain in much the same way Dr. Adey's studies had shown.

The alpha-wave frequency of the human brain is from eight to twelve hertz (cycles per second). The ionospheric wave guide oscillates at eight hertz, making it a good harmonic carrier of low-frequency sound (LFS) waves. These are such long

waves that they are virtually impossible to detect. Pentagon reports apply LFS to demobilizing the productive capacity of a civilian population in time of war.

Dr. Frank Barnaby, Director of the Stockholm International Peace Research Institute, suggested what the cryptocracy already knew: "If methods could be devised to produce greater field strengths of such low-frequency oscillations, either by natural (for example, lightning) or artificial means, then it might become possible to impair the performance of a large group of people in selected regions over extended periods."<sup>123</sup>

Since Anton Mesmer's early experiments with animal magnetism, Western scientists have known that monotonous rhythms produce drowsiness and open the individual to hypnotic induction. Scientists found that flashing a strobe light at a certain frequency could induce epileptics to have seizures. Subjected to ultrasonic or very-low-frequency sound in harmony with alpha rhythms, an entire population might be lulled into a state of drowsiness by the unperceived waves, and radio and television -- the normal channels of mass hypnosis -- could implant suggestions to control the behavior of entire nations.

Soviet scientists have used electronic fields applied outside the head to induce and enhance the qualities of sleep. Their most widely publicized device is the "electrosone." It permits low frequency pulses to be applied to the cerebral cortex through mild electrical stimulation -- electrical current sent through electrodes placed on the eyelids and behind the ears. The Soviets claim this technique, called electronarcosis, can give the benefits of a full night's sleep in only two or three hours. The sleep is induced rapidly and is so deep the subject wakes up as fully refreshed and invigorated as if he had slept an entire night.

Radiation has also leapt into the vanguard of mind control technology. The Soviets have been studying the effects of microwave radiation since 1933. They have found that, among other things, microwaves can affect the central nervous system. They have also discovered that microwave radiation, even of low intensity, can seriously alter the normal rhythm of brain waves, causing hallucinations and drastic perceptual changes, including a loss of the sense of time. In biological studies, they found that exposure to microwaves causes changes in protein composition and white blood cells. A number of endocrine responses are also altered by microwave radiation, including the activities of the thyroid and other glands. And, lastly, microwaves can cause maternal lactation to cease and in some cases male sterility.

In 1962 when the CIA discovered the U.S. Embassy in Moscow was being irradiated with microwaves, the cryptocracy reacted with silence. For years the U.S. government knew about the Russian research but appeared to ignore it. Perhaps they feared any claim that microwave radiation could affect human

---

<sup>123</sup> Frank Barnaby, *New Scientist*, June 17, 1976.

behavior would bring great restrictions on the use of radar, microwave relays, and on booming microwave oven sales. But a less obvious reason suggests itself: the cryptocracy did not want to draw attention to its own use of radiation in mind control.

In May, 1968, General Electric announced it was recalling 90,000 color TV sets which were emitting excessive amounts of dangerous X-rays. This set the gears in motion for Senate hearings on the problem of radiation effects. But the cryptocracy still protected its interests; the Defense Department sent two high ranking medical officers from each branch of the armed forces to assure the senators that safeguards to military sponsored research into the biological effects of radiation had been adequate. They testified that nobody in the armed forces was being exposed to hazardous amounts of radiation.

Meanwhile, the microwave bombardment of the U.S. embassy continued, and the CIA acted as if it knew nothing at all about radiation effects, denying there was even a problem.

Yet in 1964, when Dr. Milton Zaret, an ophthalmologist at New York University's Bellevue Medical Center, published a paper reporting that there were harmful biological and behavioral affects to micro-radiation, the CIA immediately came around to ask Zaret some questions.

They wanted to know whether he thought electro-magnetic radiation beamed at the brain from a distance could affect the way a person might act. Dr. Zaret told the CIA that from what he'd read in the Soviet literature on the subject it seemed quite conceivable that microwaves could produce behavioral changes. On another occasion, Zaret said, a CIA doctor inquired of him if he thought microwaves could be used to "facilitate brainwashing."

In early 1965 the CIA informed Dr. Zaret that the Russians had been irradiating the American embassy. Later Zaret was called to attend a special meeting at the Institute for Defense Analysis in Arlington, Virginia. There he met a number of people from the Defense Department's Advanced Research Projects Agency who were also working on the problem of radiation.

Subsequently Dr. Zaret and others set out to duplicate the conditions of micro-radiation in the embassy. "I remember in one experiment we succeeded in replicating a Czechoslovakian study of behavioral effect in rats, but also observed some unique convulsions in these animals prior to death." When Dr. Zaret relayed that information to Washington he received a telegram from the CIA ordering him not to pursue the investigation any further.<sup>124</sup>

---

<sup>124</sup> Paul Brodeur, *The New Yorker*, December 13, 1976.



In May, 1972, Jack Anderson broke the "Moscow Signal" story, which had been kept secret for ten years: the Russians were bombarding the American embassy in Moscow with micro-radiation. Anderson speculated the CIA had been trying to cover up the fact that the Russians were trying to brainwash American diplomats by microwave bombardment. He implied (probably correctly) the CIA had created the cover-up to protect its own secrets of mind control by irradiation.

After the disclosure, Anderson came under heavy attack from representatives of both the military and industry. There were loud protests from the microwave oven manufacturers, but no one refuted the brainwashing angle of micro-radiation. The story lay dormant until June of 1977, when it was announced that teams of scientists at the University of Utah and the University of Washington had received grants from the National Institute of Environmental Health Sciences to study the effects of chronic low-level microwave exposure. Dr. Om P. Gandhi, professor of electrical engineering and bioengineering at Utah said, "Most U.S. scientists are still quite skeptical of the Soviet studies."

As hypnotists had done over the years, many scientists expressed doubt that electronic, conic, or radiation techniques would ever be used for such purposes.

"The reports of new technical developments for brain stimulation have led to a concern that it will be used as the basis of an 'electroligarchy' where people could be virtually enslaved by controlling them from within their own brains... there is actually little foundation for the belief that brain stimulation could be used as a political weapon," Dr. Elliot S. Valenstein said. "It doesn't make sense. Anyone influential enough to get an entire population to consent to having electrodes placed in its head would already have his goal without firing a single volt."<sup>125</sup>

Dr. Willard Gaylin agreed, saying, "Electrode implantation or surgical ablation of the brain sections as a direct means of political control seems unlikely -- much less a threat, for example, than drugs. Such an individualized and dramatic procedure hardly seems suited to the enslavement of populations or the robotization of political leaders. Drugs, brainwashing by control of the media, exploitation of fears through forms of propaganda, and indoctrination through the sources of education, particularly if preschool education or neonatal conditioning... becomes an approved practice, all seem more likely methods of totalitarian control."<sup>126</sup>

The British biochemist Dr. Steven Rose issued a similar objection: "Unlike ancient maps marked 'here be monsters,' there will not be... brains transplanted into bodies or bottles, thought, memory or mind control, telepathic communication or genetic engineering, artificial intelligence or robots... I believe them impossible -- or at least improbable; more importantly because scientific advance and its

---

<sup>125</sup> Elliot Valenstein. *Brain Control*, (New York: Wiley, 1973)

<sup>126</sup> William M. Gaylin, Joel S. Meister, and Robert C. Neville, eds., *operating on the Mind* (New York: Basic Books, 1975)

attendant technology only comes about in response to social constraints and social demands. Because there are at present no or few social demands in the direction of these lurid potential developments, they do not represent, in a world beset with crises and challenges to human survival, serious contenders for our concern."<sup>127</sup>

Of course, when science is developed in a piecemeal, compartmentalized fashion, as it is under the direction of the cryptocracy, no social constraints come into play. Where the public is kept ignorant, and where scientists themselves are manipulated by the grant system, the balance upon which Dr. Rose relies is absent.

On the other hand, for every scientist who denies mind control exists or will ever exist, there is one who sees it as a *desirable* form of social control. Social psychologist Kenneth B. Clark appears to be one of those men.

Expressing the fear of the nuclear age, and the group paranoia of the Cold Warriors, Clark said, "Given the urgency of the immediate survival problem, the psychological and social sciences must enable us to control the animalistic, barbaric and primitive propensities in man and subordinate these negatives to the uniquely human moral and ethical characteristics of love, kindness, and empathy... We can no longer afford to rely solely on the traditional pre-scientific attempts to contain human cruelty and destructiveness."

Clark suggested that behavior control requirements be imposed on all "power-controlling leaders," and even those who aspire to such leadership. He would require them to accept and submit to "biochemical intervention which would assure their positive use of power and reduce or block the possibility of using power destructively.

"It would assure," Clark said, "that there would be no absurd or barbaric use of power. It would provide the masses of human beings with the security that their leaders would not sacrifice them on the altars of their personal ego."<sup>128</sup>

But if there were a mind-controlled President in the White house ( and there, by now, may well have been one -- certainly Reagan came close), what guarantee would we have that the cryptocracy would not use such access for purely selfish motives? Obviously, submission to any form of mind control by politicians could lead to Clark's "masses of human beings" being sacrificed not on the altars of personal ego but on the altars of national security.

There seems to be a good deal of cultural momentum leading toward a cybernetic anthill society. If we can draw any inference from the numerous predictions

---

<sup>127</sup> Steven Rose, *The Conscious Brain* (New York, Knopf, 1976)

<sup>128</sup> Kenneth Clark, *American Psychological Association Monitor*, October, 1971.

made by men of accomplishment in our society, it is that direct brain-computer interface, the cyborg, and the resulting mass mind control are on the horizon.

D.G. Brennan, member of the Hudson Institute, mathematician, and expert on national security problems, predicted: "Computers as Sophisticated as the human brain will be small enough to be carried in a shoe box."<sup>129</sup>

Arthur C. Clarke, science-fiction writer, predicted: "The first intelligent computer will be the last machine man will need to make -- and quite possible the last he'll be permitted to make."<sup>130</sup>

Gerald Feinberg, professor of physics at Columbia University, predicted: "It will be possible to tinker with the brain -- to make the human memory more reliable and accessible at the expense, say, of breadth in sensory responses."<sup>131</sup>

Olaf Helmer, founding member of Institute for the Future, predicted: "Slave robots are likely to appear. It may also be possible to devise a way for a disembodied brain to be kept alive so it can give instruction to a robot which will act as its body."<sup>132</sup>

Stephen Rosen, a research scientist at IBM, predicted the unification of physical medicine ( like drugs and organtransplants) with behavioral techniques (like biofeedback, cybernetic learning, and psychology).

And there is Jose Delgado, who predicted -- among other things -- the coming of a psycho-civilized society. Delgado also said that the fundamental question of the future would be "who is going to exert the power of behavior control?" And even Delgado, a true believer in ESB, issued a warning that in the future the cryptocracy would have to be curtailed. "It is ...essential that relevant information not be restricted to a small elite, but be shared by all."<sup>133</sup>

Whether created by the use of hypnosis, drugs, behavior modification, electronic or sonic brain stimulation, or through a combination of these tool of psycho-science, the cyborg is stalking us in our dreams. And just as life imitates art, men live out their dreams in their waking state.

The dream, expressed by the prophetic visions of men from all walks of life, is of a time when the machine or the drug will take over and relieve man of his difficult burden of self responsibility. For better or worse, self responsibility -- where each individual acts consciously, and accepts the consequences of his own actions -- is the stuff of which freedom is made.

---

<sup>129</sup> David Wallechinsky and Irving Wallace, *The People's Almanac* (Doubleday, 1975)

<sup>130</sup> *Ibid.*

<sup>131</sup> *Ibid.*

<sup>132</sup> *Ibid.*

<sup>133</sup> Delgado, *op. cit.*

The prophecies of poets, writers, scientists, and futurists express what can be considered a regressive, devolutionary myth. Sprung from the complexity of technological life, where self-responsibility is largely directed by propaganda and indoctrination, where an ignorant rather than an enlightened public is desired, the majority of responsible actions can result only in cultural disaster. This, in turn, adds to the frustration of the individual who, weighing all the facts -- or what were presented as facts -- thought he had made the best choice possible. When these decisions, based on false information, are shown to result in negative effects, the frustration of the individual grows. Weariness eventually sets in, and the individual becomes willing to surrender his self responsibility and eagerly awaits his liberation by some authoritarian figure.

In the past such people as Hitler, Lenin, or Mao Tse Tung were high profile father figures who inspired trust and surrender by the masses. In the modern technological miasma, a nameless, faceless cryptocracy is manipulating world politics.

The cryptocracy supports only those foreign and domestic leaders who are sycophants of secrecy. Of necessity keeping a low profile, the cryptocracy can inspire neither the allegiance nor the surrender which was inspired by the previous exploiters of the cult of personality. Thus, with no human image representing benevolent authority, the masses embrace a substitute father figure -- technology. The dream of test tube babies, genetically engineered children, and electronically controlled parents visits the collective unconscious and manifests itself in the way we see the future and in the mysticism of the day.

Even Uri Geller, the Houdini of parapsychology, seems to be expressing this very myth. His supposedly occult powers, he says, come from contact with beings who present themselves as "deliverers" from outer space. With superior intelligence, they manifest all forms of telepathy, telekinesis, and teleportation, and have told Mr. Geller that they are pure mind, maintained throughout eternity by machines which traverse the universe and transcend time and space.

As the psychologist Erich Fromm said, "A specter is stalking in our midst whom only a few see with clarity. It is not the old ghost of communism or fascism. It is a new specter: a completely mechanized society, devoted to maximal material output and consumption, directed by computers; and in this social process, man himself is being transformed into a part of the total machine, well fed and entertained, yet passive unalive, and with little feeling. With the victory of the new society, individualism and privacy will have disappeared; feelings toward others will be engineered by psychological conditioning and other devices, or drugs."<sup>134</sup>

Fromm is talking about the new myth, which anticipates a time when the machine or the drug will manipulate the human mind and relieve man of his difficult burden of freedom. From the new mythology comes the public tolerance of the cryptocracy as well as the hero worship of such figures as James Bond, the Six Million Dollar Man, and the Bionic Woman. Everywhere in modern literature and art and in the mass entertainment media, one can see the expressions of the modern myth of the techno-eroticism and the dark shadow of the priesthood of secrecy. There is so much of it in the media, in fact, one has to suspect the American public is deliberately being desensitized to the concept of mind control and the "psycho-civilized" society.

The cryptocracy has gone to absurd lengths to develop remote controlled beings. Victor Marchetti revealed the CIA had once tried to create a cyborg cat. He said the Agency wired a feline for sound in an attempt to use the pet for eavesdropping purposes. The cat was first altered electronically so it would function as a listening device in areas where potential enemy agents would be discussing covert plots.

But problems developed, Marchetti said, and the cat had to be rewired. The cat would wander away from its target area, as cats will, looking for food. The CIA fixed that by inserting wires directly into the hunger center of the cat's brain. The wires were attached to a radio receiver which would suppress the hunger pangs by remote control. But once that problem was solved, the CIA found the cat needed more circuitry in its brain to control its natural urges. After the hunger center was turned off, the cat still would wander away, this time following the sex instinct. The CIA planted more electrodes into the sex center of the cat's brain.

After the electronic feline was at last ready for its assignment, it was turned loose on the street and was followed by a CIA support van loaded with electronic monitoring gear. However, before any conversations could be picked up, Marchetti said, "the poor thing got run over by a taxicab."

The future should come as no surprise. In 1976 *Science Digest* reported that there was a robot population explosion in the United States, with some 6,000 mechanical humanlike machines performing simple human tasks. According to the publication, "within the next thirty years there will be more robot than human workers in America." And the proof that everything has lived up to the timetable is that there are no robots among the breadlines of the homeless. When you see a big clumsy robot holding a cardboard sign that says, "will work for oil..." you'll know that things have changed again.

The typical state of robotdom is still very expensive. Most use television to "see" and to review their work. A number of robots in service are busy building other robots. A Robot Institute of America was in existence in the 1970's. Now, in the '90's micromachines are approaching the size of viruses. Soon entire microscopic

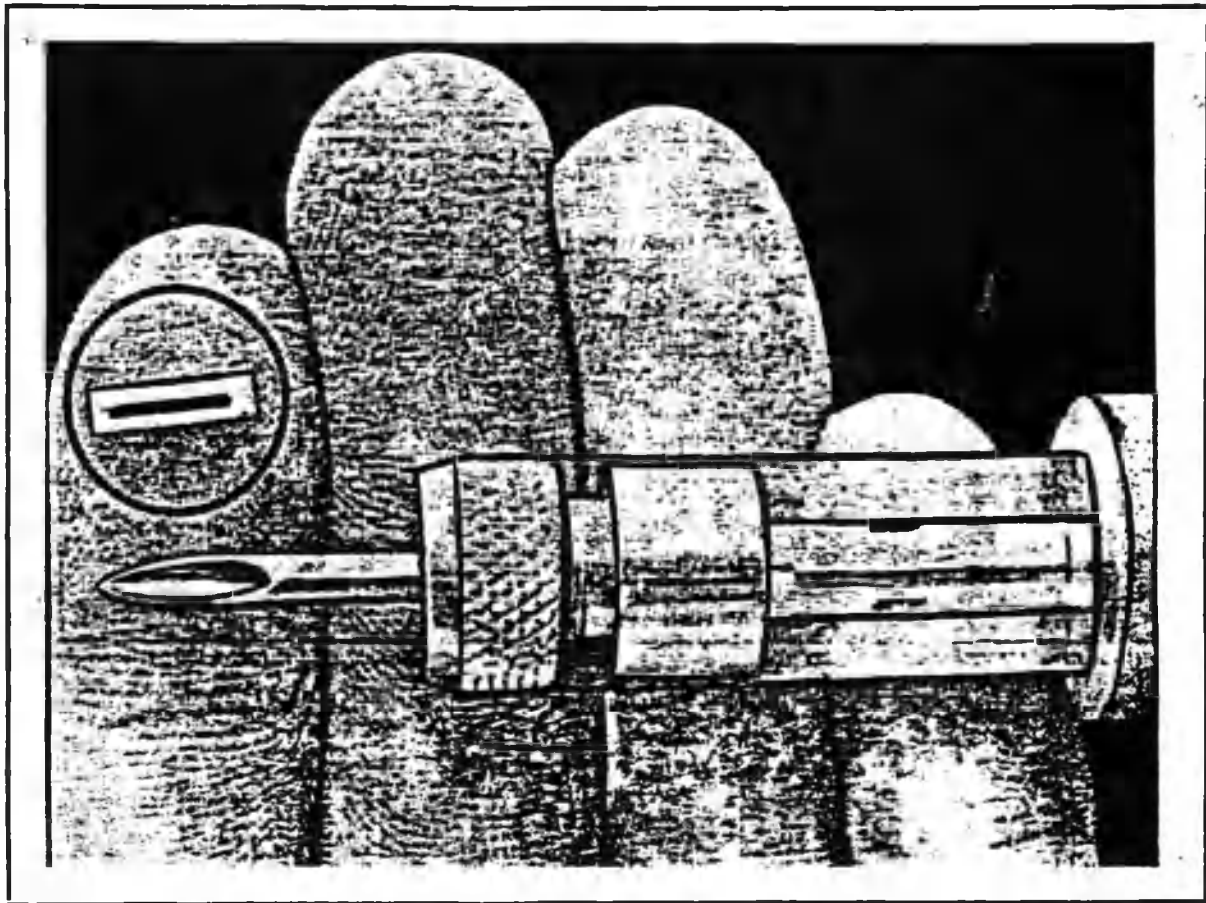
factories will be turning out other, even smaller micro-mini-tech factories on the scale of atoms. While definitely a boon to the computer industry, this technology will also be injectable into the human body, for better or worse.

Situation comedies and children's cartoon shows embody the cyborg myth and condition the individual to accept the day when wires will enter his brain -- wires hidden inside the skull: clandestine circuitry for covert cyborgs. The most influential science fiction work today describes cyberspace and "virtual reality." (The real is no longer good enough?)

Bestselling books by writers such as William Gibson, Bruce Sterling and others romanticize a cybernetic reality. Philip K. Dick is enjoying a posthumous literary revival. One of his books, VALIS ( acronym of Vast Active Living Intelligence System) is a highly literate description of the things the "survivors" of the so-called MTS are describing. "... A perturbation in the reality field in which a spontaneous self-monitoring negentropic vortex is formed, tending progressively to subsume and incorporate its environment into arrangements of information. Characterized by quasi-consciousness, purpose, intelligence, growth and an armillary coherence..."<sup>135</sup> MTV is running an action adventure series called "*Dead at 21*", about a young man with a microchip implanted in his brain being tracked by the signals it gives off. The hero with the microchip implant is pursued by some corrupt cryptocracy. Does this mean the myth of surrender to control by technology is being glorified as the highest aim of the twentieth century version of the American Dream -- or is it another nightmare erupting into life?

What once was the American Dream is turning into a cybernetic nightmare in more ways than one. As Poet Richard Brautigan said, trying to find hope in this new myth: ... one day we may all be "watched over by machines of loving grace." Of course you have to take into account that, despite his optimism, Brautigan blew his brains out in despair.

Every elderly person who is taken into long term care in either an old-people's home or a hospital is injected with this transmitter. It then transmits a radio wave which penetrates their brains, inducing amnesia, weakening their immune system and in general increasing their vulnerability to disease. The inhumanity of connecting elderly defenceless people unwittingly to computers has been going on for at least ten years, the details being published, along with the illustration above, in a book entitled "Den Maktfullkomliga Oförmågan" (The Despotic Incompetence) by Jan Freese. He was director-general of Data Inspection for thirteen years and has a thorough knowledge of this covert development.



After the injection of the transmitter, researchers take over and use these elderly people in experiments which last the rest of their lives. The interaction between human brains and computers is fundamental to the development of the "information society" and is also the most significant of all state secrets. It is, moreover, quite plainly a serious breach of human rights, for such systematic exploitation shows a complete disregard for a person's right to privacy as innocent people are forced to serve as biological material for an excessive and unrestricted research programme. The advance towards the technocratic society, governed by new social norms that breed inhumanity, goes hand in glove with state hegemony. As a natural consequence, covert surveillance systems able to control the neurological activity of the brain have been developed in secret and beyond public awareness.





## 29

### INVISIBLE WARFARE

Since this book first appeared in 1978 there has been a rapid acceleration in public awareness about mind control. It has largely replaced the term "brainwashing" in the press, appearing with some regularity on the front pages of your local daily newspaper. If you are laboring under the impression that the Church Committee hearings stopped Operation Mind Control, in these pages you have learned of evidence to the contrary. Instead of halting mind control, a whole new kind of warfare has developed around it. The new technology makes the old "Project Monarch" style classical conditioning obsolete. It is the reason so many survivors are remembering and are allowed to talk. They are no longer needed, and there's a better way to control minds.

Public awareness has been outrun by the progress in mind control technology. It has gone from drugs and hypnosis to the effects of microwaves, ELF waves, gravity waves, and modulated signals of all kinds. The basics are the same in all techniques – the government programmers sneak into the subconscious mind of individuals and the masses and influence them without their knowledge or consent.

It works the same way hypnosis works, in fact, whether aided by drugs, a variety of signals or waves, the objective is the same, to talk to the 90% of us that is asleep but automatically in charge of our lives most of the time. It is difficult to get a person to change through reason. All the logical persuasion, discussion and argument possible has a small chance of changing a person's core beliefs. But, it is easy to get a person to change by an applied covert use of language spoken to the unconscious.

Certain frequencies make the majority of people suggestible. Modulated frequencies can be embedded behind music as messages which are constructed of ordinary language, carefully chosen, framed in the positive. "You are thirsty. Drink Coca-Cola," used in such a context will show coke sales to be positively affected.

We are bathed in an environment of invisible wave stimulus, from radio waves, television waves, cellular phone waves, microwaves, powerline electromagnetic waves and gravity waves. Who notices? And if the waves act as a carrier for a

signal, if part of them is modulated to carry a voice, sensitive individuals will hear the suggestions, but most won't. They'll just act on them.

Invisible mind control weaponry has been *the* most sought after military prize since the days of Ancient China's legendary warlord, Sun Tzu. It was developed in India and refined through succeeding civilizations of Egypt, China, the Mayan Empire, Greece, Rome, Medieval Europe, Nazi Germany, Soviet Russia, Red China and finally in the United States. As early as 1900 the U.S. had access to patents and theories which are just now being understood. Their inventor was none other than Nicola Tesla the man who worked for both the Edison and Westinghouse Companies, the man who invented the famous Tesla coil and alternating current. The man whose inventions laid the groundwork for TV, radio, telegraphy, electronic surveillance, Dictaphones, air purifiers, death rays and even a technology for the solution for our current energy crisis.

Of course technology is neutral, it can be used to enrich and empower the human spirit or it can be used to enslave it. There still is much to learn about the electromagnetic spectrum and its effect on humanity's collective mind and body.

"It may be hard to convince ourselves that something we can't see, hear, touch, taste, or smell can still hurt us so dreadfully," Dr. Robert Becker and/or Gary Selden wrote in the landmark work *The Body Electric*.<sup>136</sup> "Yet the fact must be faced, just as we've learned a healthy fear of nuclear radiation. Certain scientist, some perhaps acting in a program of deliberate disinformation, keep telling the public that we still don't know whether electropollution is a threat to human health. That's simply not true. Certainly we need to know more, but a multitude of risks have been well documented.

"Three dangers overshadow all others. The first has been conclusively proven: *ELF electromagnetic fields vibrating at about 30 to 100 hertz, even if they're weaker than the earth's field, interfere with the cues that keep our biological cycles properly timed: chronic stress and impaired disease resistance result.* Second, the available evidence strongly suggests that regulation of cellular growth processes is impaired by electropollution, increasing cancer rates and producing serious reproductive problems. Electromagnetic weapons constitute a third class of hazards culminating in climatic manipulation from a sorcerer's-apprentice level of ignorance."

That was the firm conclusion in 1985, after ten years of study. And what's the conclusion after ten years of experimentation upon U.S. citizens (or is it subjects now) who, history demonstrates, are thought of as so many "rats" in the cryptocracy's maze?

In the late 1970's, while the military was vigorously denying the very existence of bioeffects from electromagnetic-field exposure, Dr. Robert Becker writes, "such

---

<sup>136</sup> Becker, Robert O., and Selden, Gary; *The Body Electric, Electromagnetism And The Foundation of Life*, William Morrow, New York, 1985.

bioeffects were actually being explored as potential weapons -- weapons with the enormous advantage of being totally silent and imperceptible...

"The EMP [electro-magnetic pulse] concept has been extended through the development of devices that generate EMP pulses without the need for nuclear explosions. Such devices could be deployed for use against enemy command and control centers or against aircraft in order to produce failure in electronic equipment. A derivative of this program is HPM (high-powered pulsed microwave, a system producing intense, extremely short pulses of microwave. Several types, ranging in frequency from 1200 MHz to 35 GHz with powers up to 1000 megawatts, are being tested. These are also being considered for potential use as weapons against human beings.

"A report derived from the testing program of the Microwave Research Department at the Walter Reed Army Institute of Research states:

**Microwave energy in the range of 1 to 5 GHz, a militarily important range, penetrates all organ systems of the body and thus puts all organ systems at risk." Effects on the central nervous system are considered very important. The testing program, begun in 1986, is divided into four parts:**

- (1) prompt debilitation effects;
- (2) prompt stimulation through auditory effects;
- (3) work interference/ stoppage effects;
- (4) effects on stimulus-controlled behavior.

The report goes on to state, "Microwave pulses appear to couple to the central nervous system and produce stimulation similar to electrical stimulation unrelated to heat." It appears that HPM is capable of altering behavior in the same fashion as Delgado's electrical stimulation.

"The production of cognitive and behavioral alterations by HPM," Dr. Becker writes, "is a sledgehammer effect in comparison to the subtle alterations produced by ELF fields.

According to an 1982 Air Force review of biotechnology, ELF has a number of potential military uses, including "dealing with terrorist groups, crowd control, controlling beaches in security at military installations, and antipersonnel techniques in tactical warfare." The same report states, "[Electromagnetic] systems would be used to produce mild to severe physiological disruption or perceptual distortion or disorientation. They are silent, and countermeasures to them may be difficult to develop."

Becker's protest is rare among qualified research scientists. "A new class of weapons, based on electromagnetic fields, has been added to the muscles of the military organism," he said. "The C3I [command control, communications, and

intelligence] doctrine is still growing and expanding. It would appear that the military may yet be able to completely control the minds of the civilian population."

Exhibiting unusual courage for a man in his position, Dr. Becker cautions: "I have made no attempt here to review in any detail the relationship between military considerations and the hazards of man-made electromagnetic fields. This complex and dangerous situation lies outside the scope of this book, except for an indication of how the political policies derived from it have effectively hampered the public recognition of the hazards. In my opinion, the military establishment still believes that the survival of the military organism is worth the sacrifice of the lives and health of large segments of the American population."<sup>137</sup>

The cryptocracy wants us to call it Non-Lethal Weaponry or No-Kill Warfare. More appropriate is the term Invisible Weaponry or Warfare. It began to be used on the common man in the 70's, after it was announced that the Soviet's were caught red-handed, beaming microwaves at the U.S. Embassy in Moscow. Oddly enough, they'd been doing it for over twenty years, triggering cancer, heart problems, cataracts, and emotional stress among Embassy staff and employees and either nobody cared, or nobody noticed.

It was while sweeping the embassy for bugs, they said, that security personnel detected a microwave beam aimed straight at the embassy in 1962. These sweeps are usually frequent, and technology which can detect microwave radiation goes back to the 40's or earlier. Supposedly, the reports say, the Pentagon and the U.S. Intelligence Community became "alarmed at the possibility of neurological and behavioral effects" this might have on diplomatic personnel, in 1962. Then they took a wait-and-see posture. They kept the knowledge secret from the suffering embassy staff for 12 more years.

It wasn't that the cryptocracy did nothing. The CIA launched *Project Pandora*, which was aimed at understanding the Soviet's motives for the microwave attack. The extensive investigation which was Pandora revealed the Soviet's had been doing research in the area for years, concentrating their studies on the emotional and mental effects of microwaves.

By the summer of 1965, a Pentagon-affiliated think tank, Institute for Defense analysis, convened a special task force to replicate Soviet experiments and analyze the problem. Or so the official history goes. The Defense Advanced Research Projects Agency (DARPA) began experimenting on rhesus monkeys with microwaves at Walter Reed Army Research Institute. The results are still classified Top Secret, but from duplicate studies we have learned that microwaves cause profound effects on the central nervous system and have changed behavior in rhesus monkeys.

---

<sup>137</sup> Becker, Robert O., *Cross Currents*, Tarcher, Los Angeles, 1990.

At a summit meeting at Glassboro, New Jersey during June, 1967, President Lyndon Johnson asked Soviet Premier Alexi Kosygin to halt the Moscow Signal. In 1969, leading microwave scientists gathered at the University of Virginia Medical College at Richmond for a three day symposium on Biological Effects and Health Implications of Microwave Radiation. Microwave authority Dr. Karel Marha of Czechoslovakia declared that microwave bioeffects included pains in the head and eyes, fatigue and overall weakness, dizziness and vertigo, poor night sleep, irritability, fear, hypochondria, tension, depression, inhibition of intellectual functions, and decreased memory. Yet, most of those at the symposium ignored the subject of human bioeffects. Radomline Research biophysicist Dr. Allan H. Frey was more than interested, However. Frey had determined that humans could actually *hear* pulsed microwaves at frequencies ranging from 300 to 3,000 megahertz.

But, it was not until Jack Anderson broke the "Moscow Signal" story in 1972 that the public learned the truth about the insidious new possibilities for controlling the minds of millions. Several months after Anderson's microwave column, the Soviets accused the U.S. of irradiating chess wizard Boris Spassky with electronic devices, causing him to lose a championship match to Bobby Fischer. On February 7, 1976, the *Los Angeles Times* quoted U.S. Ambassador Walter J. Stoessel, Jr., as telling his staff that the microwaves could cause leukemia, skin cancer, cataracts, and emotional illness. Stoessel himself was reportedly suffering from a mysterious illness resembling leukemia which caused bleeding in the eyes and nausea. Two of his predecessors at the embassy died of cancer. According to National Security Advisor Zibnew Brezhinski, U.S. embassy personnel in Moscow suffer the highest cancer rate in the world. We can only assume that the Soviets have now, at least, stopped bombarding the embassy. Project Pandora still remains classified.

The U.S., of course, was not as ignorant about the potential use of microwave weaponry as it appeared. In 1957 the CIA and Pentagon began a project known as *River Styx* which revealed the decade long effort to coordinate various Pentagon, corporations, university and intelligence agencies and at the same time keep the lid on their intentions.

The code name *River Styx*, was taken from Greek mythology. The newly dead souls of ancient Greece had to ford two streams before they were admitted into Hades. The first, the River Lethe, erased all memory of having lived in the minds of those immersed in its waters. The second, the River Styx, baptized the newly deceased Greek, making the soul "dead forever" and admitting it through the gates of Hades.

"Should developments in this type of weapon be undertaken and should they become known to the public, charges from public and foreign sources that this is an atrocity weapon may be made and should be anticipated." Thus, naturally, when the cryptocracy began to leak the fact of their now operational capabilities in

the 90's it was in terms of "non-lethal", kindly warfare, anti-terrorist and mob control technology.

But, with ghoulish humor, the creators of the *River Styx* Project had the last laugh. Supposedly the first invisible weapons design, *River Styx* was conceived as a way of stopping the Soviet Cavalry as it launched an overwhelming tank attack against Western Europe. Large microwave dishes mounted on half tracks would be secreted in the woods and would triangulate the advancing Soviet army while on the move or while bivouacked. This, the documents said, would: "grossly degrade bodily functions" of "the brain, the testes, the eyes, and like organs."

Further, the creators of these weapons claimed "there are parapsychical advantages that may accrue to the country and allied nations from the early realization of military applications of these effects." According to one Pentagon study, the Army conducted microwave experiments which produced third degree burns on the "subjects" at the Medical Research Lab at Fort Knox, Kentucky. General Electric, building on its earlier independent developments of antipersonnel microwave weapons, participated in Project COMET which researched the psychological effects of EMR. These projects spanned the EMR spectrum from radiowaves to microwaves.

*River Styx*, however, may have been just one of the many dummy projects backed by the cryptocracy. As Fletcher Prouty told us: "Whenever the CIA was supporting some important secret project, it would fund a number of dummy projects which looked just like the real one on the surface. They were thinking twenty years ahead, even before the Freedom of Information Act. They knew that they were going to have to 'come clean' on things, and they wanted to have enough dummy projects in their files so that the public would never learn about the real ones."

We learned from a prominent European microwave scientist (employed by NATO at the time of our interview, she asked to remain anonymous) that the supposed *River Styx* "barrier weaponry" could be defended against simply by covering the body with aluminum foil. At your own peril you might try putting a piece of foil in your microwave weapon and you'll get a graphic if dangerous demo of how microwave's bounce off of metal. The *River Styx* microbeams never would have penetrated the tanks against which they were designed to defend.

"A powerful radio signal that may be affecting human health has been monitored in several Eugene (Oregon) locations and in the air three thousand feet above the city," proclaimed the *Eugene Register-Guard* on March 26, 1978. "The source of the radio signal is unknown." thus came to light news of the first electromagnetic biohazard suffered by a major population center in America.

Shortly before the *Register-Guard* printed that, a middle-aged Eugene man, Walter Deposkey, came down with symptoms remarkably similar to those

attributed to microwave sickness. He noted a strange vibration emanating from within his home. He heard voices. He could not sleep. He suffered burning of his cornea. University of Oregon industrial hygienist Marshall van Ert, called to investigate Deposkey's complaints, suffered the same symptoms in the man's home. Disturbed, van Ert recruited several local engineers to investigate. The engineers measured an unusual radio signal they determined was capable of producing potential biohazards. After dogging public health agencies to investigate further, van Ert broke the story to the papers.

The Eugene Signal was described as a radio frequency pulse at 4.75 megahertz, 1,100 cycles per second, recorded within at least two local homes as well as 3,000 feet above the city. The signal's strength was rated at five hundred thousand watts -- ten times the FCC AM licensed limit. The signal extended as far away as the next town, Corvallis.

One-hundred-fifty documented complaints about the signal prompted Governor Bob Straub, Senator Mark Hatfield, and Congressman Jim Weaver to demand an EPA investigation. A data analysis by the State Health Department's Radiation Control Section suggested "probable cause" linking the complaints to the strange frequency. "I was surprised," said Clifford Shrock, a Textronix, Inc. radio frequency analyst who had written CIA and NSA electronics manuals. "I'd never seen anything like it before."

Reactions to the story flooded in from around the world. Calls came in from people telling similar stories about their own distant areas. Several calls came from technicians offering their hypotheses about the signal, suggesting a possible link to secret weapons radiation. The people of Eugene began to learn about Electromagnetic Radiation (EMR) biohazards in a hurry.

No one, however, could get to the bottom of Eugene's problem. The FCC's Enforcement Division Assistant Chief, Richard Smith, laid the blame squarely on a naval transmitter at Dixon, California -- the "Dixon Duck". Van Ert and others disputed this conclusion. The Navy denied it. When the EPA technicians finally arrived, they decided no real problem existed and denied that there was any mystery signal. Van Ert, Shrock, and others strongly disagreed with them. They had *felt* the signal and had measured it. But, after holding a cursory press conference, the EPA investigators returned to their Las Vegas headquarters and dodged reporters. Then the investigation folded.

While some of the citizens of Eugene, Oregon said they continued to suffer from the signal effects, the Eugene Signal remained an official mystery. Marshall Van Ert left Eugene after he began to suffer from the EMR symptoms. Years later he remained convinced he was victimized by secret IW radiation and a government cover-up.

The people of Eugene weren't the only ones complaining of EMR biohazards in the mid '70's. Similar symptoms were reported in such places as Timmons and

Kirland Lake in Canada. These effects were linked to an alleged Soviet radio broadcast dubbed "the woodpecker" by amateur radio operators. These effects bear a strong resemblance to the biohazards inherent in Invisible Weapons like the electromagnetic pulse (EMP) which was then under development by the Pentagon. Although the people of Eugene didn't know it, both the U.S. and the Soviet military had been working for years to perfect the use of electromagnetic frequencies as psychological weapons.

On October 14, 1976, radio communications throughout the globe were disrupted by powerful radio waves emanating from the Soviet Union. The broadcasts appeared irregularly and varied between very high and very low frequencies. When the U.S., Canada, Great Britain, and the Scandinavian countries protested the broadcast, the Soviets apologized, blaming the disturbance on "experiments." But then the nature of the wavelengths changed and huge electromagnetic standing waves formed, thousands of miles long, penetrating the earth and extending up into the ionosphere.

Due to its characteristic sound, the signal was dubbed "the woodpecker." The sound ham radio operators heard all over the world can be replicated by tapping a pencil on a table at between eight and fourteen times each second. The wavelength was traced to alleged "Tesla generator" experiments in the Soviet cities of Riga and Gomel. The standing waves stretched down both coasts of North America and along the Eastern frontier of the Soviet Union.

The "woodpecker" has been blamed for subsequent shifts in weather patterns resulting from altered trade winds. The change of winds created a drought in the western U.S. with severe effects on farming and the economy that year. Several agencies feared that such standing waves might well have caused the disintegration of ships, including oil tankers in the Atlantic. But their potential effect on human beings caused even greater concern.<sup>138</sup>

---

<sup>138</sup> On Halloween, 1979, at the Jerome Bar in Aspen, Colorado, I met a man who was a master at "Remote Viewing". (His name is withheld by his request.) When he asked about my life I told him about my adventures promoting this book on a world tour. Most people, in those days, responded to my information about mind control with either disbelief or horror. He was most matter of fact and his response surprised me.

"A friend dared me to remote view the inside of the supposed NORAD site within, I think it's called Cheyenne Mountain outside Colorado Springs, I've never been there in my body. Now, what I do is something like what has been called 'astral projection' or 'out of body travel,'" he explained. "It's apparently different from what Price or Swan did in that government supported remote viewing experiment at Stanford Research Institute.

"Well, I went out of my body and suddenly I was inside the NORAD tunnel inside the mountain. A bell went off and I was frozen, trapped by some ray. All I thought was 'I'm dead! I'll never get back to my body!' I was aware of a lot of activity. Warning lights blinking, sirens blaring, security guards running around with weapons cocked.

"Then this one security chief comes up to me and aims some kind of device at me up where I'm trapped, near the ceiling of this tunnel. He reads the feedback and says, 'Okay. You can let him go. It's just another one of those sleepwalkers.' And suddenly I was back inside my body.

After that I thought about what I'd seen in one room off this tunnel. I'd seen large half orbs stacked on top of each other like diminishing sized bicycle bells. And I realized that these were being used in an experiment which was designed to influence a local election somewhere in Florida. Later I saw a picture of a Tesla generator and it looked just like those stacked up bells.

"I think our secret government has some real Buck Rogers technologies to control us," he said. "I'd like to help you research your second book."

I thought it would be clever to put a number of remote-viewers to work for the Bill of Rights for a change and against the cryptocracy. (Of course I'd still have to do all the follow-up research to prove what they saw.) So, I called Ingo Swan, the famous remote viewer who had participated in the SRJ project. I asked him to repeat the view inside the



Former Pentagon think-tank researcher, Lowell Ponte wrote in the late 70's: "The right kind of radio transmissions alter the planet's magnetic field... The giant rivers of wind in the sky, like the jet stream, tend to follow that magnetic field. So, when you bend it or when you begin creating giant standing waves in the atmosphere, as our government knows they've been doing, you bend those wind currents, and where they go the weather goes."

Just as the human body's nervous system operates electromagnetically, so the Earth has an electromagnetic "aura" which, scientists claim, can be altered to produce dramatic weather shifts. In fact the earth's ionosphere oscillates at approximately the same frequency as human brain waves making it a perfect "carrier" off which EMR radiations (in the brain wave range) can be bounced without any change of frequency.

The relationship between the electromagnetosphere and the EM basis of the human body can be exploited as a strategic weapon. Everyone has experienced mental and emotional shifts during changes of weather. Imagine the power open to those who, by flicking a switch, could control the earth's atmosphere and change not only the weather but the brainwaves of entire populations. Cryptocracies around the world know that a strong pattern exists correlating geophysical phenomena and political disturbances, health, and mood swings. For these reasons the "woodpecker" gained a lot of covert attention.

Sounds and even words can be made to appear within the human brain when broadcast from EMR neurological controls at a military base. Brainwave entrainment, coronaries, strokes, and epileptic seizures can also be triggered by remote control. One 1976 DIA estimate was labeled: *"recommended reading material for those consumers who have an interest in the application of microwave energy to weapons."* An Army report, *Analysis of Microwaves for Barrier Warfare*, describes the use of the microwave band to control populations.

Although few would appear to know it, the French have used invisible wavelengths to control crowds for years. A former U.S. intelligence officer even claims that the Nazi's used a "frenzy machine" to stir up crowds at Hitler's Nuremberg Rallies. The French crowd control "sirens" use various inaudible sounds which throw people into terror and cause loss of bowel control *en masse*.

We must remember that Richard Helms may very well have had such weapons in mind when he testified before the Warren Commission on June 19, 1964. Then Deputy Director for Plans at CIA, Helms warned: "Current research indicates that the Soviets are attempting to develop a technology for control in the development of behavioral patterns among the citizenry of the USSR. in accordance with politically determined requirements of the system. Furthermore, the same

---

*mountain. I could hear the tremble in his voice when Ingo said, "They're not all bad. The CIA people are not all bad people."*

*The second book, The Invisible War, was outlined, but no publisher was interested. It revealed in 1980 what's now coming out in The Wall Street Journal, Newsweek and U.S. News about the supposed "non-lethal weapons" and more.*

technology can be applied to more sophisticated approaches to the 'coding' of information for transmittal to population targets in the 'battle for the minds of men.'" In future chapters we'll examine evidence that the U.S. cryptocracy is advancing along the lines of this supposed Soviet plan.

Since the '50's both the Soviets and the U.S. were covering up their knowledge of invisible weapons. When we originally interviewed the legal counsel for the State Department's Disarmament Agency in 1980, we heard him claim ignorance of such weapons. He furthermore said that such ideas were "speculative and futuristic." History has shown, beyond doubt, that State's counsel was lying and had, in fact, possession of materials concerning invisible weapons. Certainly, he was aware of the Soviet amendment to SALT II which proposed banning of infrasonic and electromagnetic weapons designed to affect biological targets.

There is hope however. Just as with computer hacker's and their demonstrated ability to "outsmart" government systems, an underground physics network acts as a perpetual thorn in the side of the invisible warriors.

In the 1970's and '80's, colorful characters such as Bob Beck of Los Angeles' Biomedical Research Associates flew back and forth from Washington to Eugene to Canada sharing findings and investigating the "Oregon Signal", the "Woodpecker" and other suspected government environmental crimes. Members of this loosely-knit network shared their information freely and were concerned about the debilitating aspects of the invisible war on the mind.

A former military intelligence officer, Lt. Col. Thomas E. Bearden, USAF (Ret.), publishes *Specula*, a magazine devoted to "psychotronics" and "bio-energetics." these two words describe what amounts to the electronic amplification of telepathy and what has heretofore been called ESP. Bearden is not just a concerned amateur, he is an experienced scientist who has several of his psychotronic weapons papers on file at the Defense Documentation Center outside Washington. The story of his fight to publish a book on the subject of psychotronics and bio-energetics, *The Excalibur Statement*, is as full of cloak-and-dagger intrigue as an Ian Fleming Thriller. Bearden's book was due out in 1978, but was "mysteriously" delayed again and again. During the time he was preparing the manuscript for publication, the underground lore says, one by one, the members of his "network" met strange fates.

One member of Bearden's network was Ira Einhorn, an aide to Congressman Rose, Einhorn wrote:

During the time that Alexander Solzhenitzyn was making the transition from his native land to his fortress in New England, he uttered a prophetic statement about the Third and Fourth World Wars. In essence, he said that the Russians had won the Third World War and that the battle was now shifting from physical combat to

combat of the mind... the Fourth World War involves the struggle for the human mind itself.<sup>139</sup>

One day police raided Ira Einhorn's apartment. During the search they found the long dead body of his fellow researcher and girlfriend, Holly Maddux, in a locked trunk in his closet. The body had been dead so long it was mummified. While the downstairs neighbors had heard a woman scream several years before, there was no physical evidence to link Einhorn to the murder. But murder charges were filed and he was tried and convicted in absentia.

While on \$45,000 bail, bond of which was posted by a Canadian liquor heiress, Einhorn made an impassioned plea to the press and friends. He claimed that he was being framed by the CIA. Fearing that he could not get a fair trial, Einhorn disappeared and has been underground for the past fifteen years. Three times he has been seen, in Ireland and Sweden. Each time he escape capture.

Ira Einhorn traveled in intellectual circles. He was definitely "a dangerous free thinker" -- dangerous to someone, and with such a passionate curiosity coupled with a brilliant mind, perhaps dangerous to many. Maybe most dangerous to himself.

He was deeply connected with Michael Murphy of the Esalen Institute as William Irwin Thompson records in *The Edge of History*<sup>140</sup>. He was friends with physicists, among them, David Bohm, Fred Wolf, Peter Maddux, Fritjof Capra, Heinz Pagels and Jack Sarfatti. He was in fact, Sarfatti and Wolf's literary agent at one point. He counted among his acquaintances Astronauts Buzz Aldrin and Edgar Mitchell, Psychic Uri Geller, writers Martin Gardner, Arthur C. Clarke, Arthur Koestler, Elaine Pagels, Adrija Puharich. George Leonard, and author and publisher Steward Brand, at least one knight -- Sir John Whitmore, radical investment broker Jerry Rubin, actor/author and mariner Sterling Hayden, UFO author and computer scientist Jacques Vallee, filmmakers Steven Spielberg and George Lucas, and EST founder Werner Erhard -- among many of the cognoscenti. In fact he was, as one friend said, "the central network coordinator for all the most radical new-physics ideas. He sent out frequent packets of information, and this was before Internet. One of his netowrk, a leader int he E-zone today, said, "Knocking Einhorn out effectively killed the distribution of the new-physics information."

Einhorn was in the thick of the students of Tesla technology, remote viewers and those who were at the time doing research under a project named SCANATE, a pet project of then President Jimmie Carter. Carter had created the project for remote-viewing of military targets (especially submarines) by psychics and intelligence reports led the executive to believe we were lagging behind the

---

<sup>139</sup> Ira Einhorn, *A Disturbing Communiqué*, Co-Evolution Quarterly, Winter 1977-78.

<sup>140</sup> William Irwin Thompson, *The Edge of History*.

Soviets in such research and development. Everyone was thinking *Invisible* warfare.

To give you the idea of the "dangerous free thinking" that was going on in Einhorn's circle, *SARFATTI'S ILLUMINATI*, appeared on the internet in 1992. It mentions Einhorn prominently. Physicist Jack Sarfatti<sup>141</sup> reports: "If I remember correctly, Brendan ( O'Regan, one of the moving forces at Stanford Research Institute (SRI) in that day) and I went with Uri (Geller) to his hotel room where I met Andrija Puharich, Sir John Whitmore and, perhaps Ira Einhorn... I startled Uri by asking him if he could trigger a nuclear weapon by psychokinesis. I later found out from Ron McRae (author of *Mind Wars*) that some of our intelligence people were greatly concerned about that possibility. I may have initiated that concern..."

Later Sarfatti says: " Former Naval Intelligence Officer and Jack Anderson reporter Ron McRae told me that the Navy had been fooled by phony data on remote-viewing of Soviet submarines because someone had leaked the actual data to phony psychics. McRae seems to have omitted this story from his book... Barbara Honegger said that policy decisions on the basing of MX missiles were made by the Reagan staff under the belief that remote-viewing worked. Harold Chipman believed that it worked and told me that he had used it successfully in his business..."

At the height of his popularity, while Einhorn was working with Charlie Rose and quietly negotiating with the U.S. and Czech governments in an effort to gather their support and collaboration in the creation of a Nicola Tesla museum in the country of Tesla's origin Serbo-Coatia (then Czechoslovakia), while he was at the same time, promoting a movie on Tesla starring Orson Welles, as part of an International Year of Tesla, the dead body of his girlfriend turned up in the large which had her name on it. Einhorn said, she went to the store one day and never returned. In the closet with the trunk were other containers possessing her clothes and personal items.

Holly Maddux disappeared during The International Year of Tesla. The movie *Secrets Of Nicola Tesla* was to have it's premiere in Prague to coincide with the opening of the museum. There would be patents shown that had never been seen in public. Tesla inventions which had never been seen would be built in miniature to demonstrate some of the wonderful unknown and miraculous inventions of the Serbo-Croatian. Tesla had practically invented the Twentieth Century single handedly. He'd invented radio, microwave broadcasting, electricity broadcasting, the alternator and the dynamo. And he'd invented the Wheatstone bridge -- Scientology's E-meter and the polygraph's galvanic skin response monitoring device. Tesla invented so many things that when he died during the Second World War, the Secret Service cleaned out his room and the hotel safe of all his

---

<sup>141</sup> Jack Sarfatti, *SARFATTI'S ILLUMINATI*. ( It looks like a highly readable rough book proposal outlining the friends Sarfatti was introduced to by the invisible forces of -- what? -- the Interdimensional Earth Watcher's Society?) Wed., 12 Aug, 1992, 20:59, Internet (mondo 2.32.)

belongings. He dreamed things up which have not yet been applied. And he believed that Albert Einstein and all his physics was a dead-end, like Newton's turned out to be. At the end of the Nineteenth Century Tesla knew about an entirely different physics which Einhorn's friends were (and still are) on the verge of discovering. ( One must remember that Sigmund Freud's best pupil, Willhelm Reich, was sent to prison, and had his books banned for 60 years, when he stumbled upon something he called "OR")

Sarfatti says he and his friends were:

...channeling the new physics from the future. Our basic themes since the early '70's have been:

1. Quantum nonlocality essential for a physics of consciousness as well as paranormal. Present-day quantum mechanics is only an approximation for 'dead' matter. Life introduces a really new physics that Penrose in his new book *Shadows of the Mind* calls "OR" physics. Fred Alan Wolf and I explained it as quantum 'star waves' from the future to the present in addition to the more familiar quantum waves from past to present. Quantum waves act within spacetime but exist beyond spacetime and are able to directly connect widely separated events in spacetime. Indeed, such quantum connections between different parts of our brains are needed for ordinary consciousness and for memory as well as for anticipation of future events.

2. The future causes the past and gives meaning and purpose to the past and to our existence. I call this the "destiny matrix" (the title for my memoirs).

3. Time travel to the past is necessary for our universe to exist. The fact that latest data from Hubble telescope shows that the universe may be only 8 billion years-old when we see stars that are 16 billion years old tells us that our ordinary ideas about time are in serious trouble.

4. We are in contact with higher intelligences from the future that use advanced quantum technology that breaks the speed of light barrier to communication...<sup>142</sup>

What would happen if this were the common belief in the early '70's. Nicola Tesla seemed to be in agreement with this kind of thinking. So, what if, suddenly, Nicola Tesla was all the rage? People would begin to re-examine this eccentric hermit's designs and theories. Maybe the Soviets and the Western Intelligence goons flipped a coin to see who would shut Einhorn's folly down. It only cost one beautiful young woman's life. That was cheap, thinking of all the oil that could be pumped one day longer, just one day longer, another drop of oil out of the ground before the new "free" energy device was discovered.

---

<sup>142</sup> Jack Sarfatti, Intercepted e-mail bio from Sarfatti to *Monda2000* editor Wes Thomas, Oct 30 - 17:06:55 1994.

That may sound far fetched, but one has to scratch one's head over how many know how little about Tesla. Knowledge of the history of alternating current could be dangerous to the egos of the men I met who were executives of Southern California Edison. They graciously took me on an overnight bus tour of their ingenious nuclear/hydro system in Southern California. It was truly a beautiful adventure. I was amazed to see the lakes near Pine Top being filled by water that only the day before had fallen thousands of feet to a holding lake at the foot of the mountains. The water was pumped up to the top lakes again with the ever constant current of electricity generated cautiously by the atomic reactors at the five San Onofre plants.

The limitation of nuclear power, it seems, is you can't turn it up or down. Once you turn a nuclear reactor on, it produces a constant flow of electricity. So, in order to supply the extra power demanded by Southern California's air conditioners in the summer, water is pumped up and stored as energy in the high lakes, to be released through the long-ago-paid-for hydro-electric stations that used to power Los Angeles. It costs nothing since the nuclear power plants surplus energy was not needed during off hours. This way, at peak demand time, the extra power is there in controllable quantities. The valves are opened and the small turbines begin to generate power from the falling water.

Before I knew all that, on the bus winding its way from the desert floor to the High Sierra's, the Southern California Edison Public Relations flack did what he had to do. He passed out mugs and baseball caps with the SCE logo on them and begged us to watch the mandatory video he had to show us on the history of SCE. Of course the name of the company was Edison, so, it didn't matter to me that when Edison's D.C. systems couldn't keep up with Westinghouse /Tesla's A.C. systems SCE made the switch to the better way. But the video didn't seem to acknowledge that Thomas Alva Edison was the promoter of Direct Current and Tesla the inventor of Alternating Current. Westinghouse backed Tesla's better system and the better system won out in the marketplace. But Edison was remembered and Tesla forgotten. Why?

I asked the tycoons of S. Cal. industry – the SCE's biggest consumers, all except me, who had been invited on this trip, if they knew about Nicola Tesla. They didn't. I drew blank stares. One said, "Who?" I then asked the director of the tour, the PR guy from SCE, how come he didn't have anything to say about Tesla. And he didn't know who Tesla was.

Could this be why Einhorn had to be put down, smudged, smeared, or framed? Maybe it was so important that people not educate themselves about Tesla that an easy target was taken like so much meat in a trap, to keep Einhorn's mouth occupied with his legal defense, or to lock him away behind bars, where he could not have access to his dangerously free thinking network of friends?

Jack Sarfatti says it more dispassionately than most people who knew Einhorn. Without knowing all the facts, without trying the case. Sarfatti puts it straight and simple, stating the facts, but allowing Einhorn the benefit of the doubt, repeating his former agent's side of things: "Einhorn claimed he was innocent and was framed by the KGB." Others said he claimed he was framed by the CIA. It could have been either or both.

The question remains, was he framed, and if so, by whom? Did Einhorn have a motive to kill Holly? In a preview of the public opinion we've seen with the O.J. Simpson trial, Einhorn was reported as having abused girlfriends previously. He was not known to have murdered any before. To anyone's knowledge he hadn't killed anyone, perhaps even any *thing*, before. One witness said that he was "sadistic" with animals. The "animals" turned out to be one incident in which he tried to persuade someone to take a cat into the shower with them.

So, who else had the motive to kill Holly?

It would have to be a good frame. There would have to be a lot of circumstantial evidence. The shadow of a doubt had to be planted to succeed in locking Einhorn up for a good number of years. Even if he eventually proved his innocence, even if someone came forward and confessed to the murder, the charge of murder would be useful to discredit these emerging Yuppie cum New Age Dangerous Free Thinkers who were dabbling in new physics. If Einhorn was tried for murder, he didn't even need to be convicted, many of these wierdos would be drawn into the testimony.

But, if Einhorn didn't have a moment of homicidal madness, if Holly was killed by someone else -- for the purpose of framing Einhorn and tarnishing the reputation of his whole social milieu, it could have been Soviet, British or U.S. Intelligence agencies.

Einhorn was naive about politics. He was a utopian visionary who hoped for a world with unmetered energy. Toward that end he was freely exchanging information on little known Tesla technology with Invisible warfare potential. He was knowledgeable about independent Tesla research around the world. He was hobnobbing with the remote viewers at SRI, and Mossad "agent" Uri Geller who was believed to be capable of erasing computer tapes and to possess other menacing mind-over-matter talents. And he would give patents and diagrams and unpublished technical reports to anyone who requested them. With hindsight, Einhorn told friends, some of the people who requested hard-to-get Tesla papers from him may have been working for foreign intelligence agencies.

Let's leave this to other researchers to examine the documents Einhorn was circulating and the state's case against him. The primary question today might be, what was being suppressed that Einhorn was coming close to? Probably whatever it was twenty years ago is now public knowledge.

Einhorn's name came up recently in conversations with other people who'd known him: Wes Thomas, editor of *Mondo 2000*, and Regie Siberski, a nationally recognized researcher of mind control and non-ionizing radiation. I did not bring up his name, I'd only talked to him once on the phone, nor did I know Einhorn knew these two. When I spoke with them over the summer of 1994, Thomas was in California and Siberski was in Pennsylvania. Both appeared to hold Einhorn in high esteem for his knowledge of Invisible Weapons technology. Both expressed their belief in his innocence even though he had already been convicted in abstencia of first degree murder.

Ira Einhorn remains underground (if he's still alive) and the area of his research, Tesla technology, remains largely underground too. Research of declassified KGB files on Einhorn would now be a timely project as would a thorough roundup of physics and technology reports which add up to Invisible War.

Sarfatti offers more insight into the climate of those times among these brilliant people: At a conference in England, Sarfatti was introduced to a "sprightly Englishman", Dennis Bardens, who said:

**"Dr. Sarfatti, may I take you to dinner?" Fred Wolf was there and he suggested I go with Bardens. We had a good dinner of duck in cherry sauce at the Blue Boa Inn. After dinner, over brandy and cigars, Bardens leaned towards me with a conspiratorial wink and said: "First, I want you to know that I am a cabalist." After a dramatic pause he continued in a more officious tone: "Dr. Sarfatti, it is my duty to inform you of a psychic war raging across the continents between the Soviet Union and your country and you are to be in the thick of it!"**

Now, it would appear, with the collapse of the Soviet Union, the whole world is in the thick of this psychic war -- and apparently most of the mind controlling forces are aimed at individuals and the masses. Only a few get to play with the beneficial aspects of the new psychotronic technology.

In late October, 1994 a mission of the space shuttle was flown to "look at the ozone layer," which it was said had a hole in it. About the same time the first HAARP signals were broadcast from Alaska, which pumped radiowave energy into the ozone layer, following Nicola Tesla's fifty-year-old plan.

HAARP<sup>143</sup> stands for High Frequency Active Auroral Research Program, a project which will build the world's largest high frequency (radio) transmitter. Construction began in early 1994. The first stage of completion corresponded with the shuttle mission. From HAARP documents reveal:

**The HAARP is to ultimately have a HF (High Frequency) heater with an Effective Radiated Power (ERP) well above 1 gigawatt (1,000,000,000 watts) on the order of 95-100 dBW, in short, the most**



powerful facility in the world for conducting ionospheric modification research...<sup>144</sup>

The Soviets, operating at higher powers than the West, now have claimed significant stimulated ionization by electron-impact ionization. The claim is that HF energy, via wave-particle interaction, accelerates ionospheric electrons to energize well in excess of 20 electron volts (eV) so that they will ionize neutral atmospheric particles with which they collide. Given that the Soviet HF facilities are several times more powerful than the Western facilities at comparable mid-latitudes, and given that the latter appear to be on a threshold of a new "wave-particle" regime of phenomena, it is believed that the Soviets have crossed that threshold and are exploring a regime of phenomena still unavailable for study or application in the West...<sup>145</sup>

From the DOD (Department of Defense) point of view, however, the most exciting and challenging aspect of ionospheric enhancement is its potential to control (control is underlined) ionospheric processes in such a way as to greatly improve performance of C3 (military abbreviation for Command, Communication and Control) systems (or, to deny accessibility to an adversary).<sup>146</sup>

A key goal of the program (HAARP) is the identification and investigation of those ionospheric processes and phenomena that can be exploited for DOD purposes, such as outlined below:

- Generation of Extremely Low Frequency ELF waves... to provide communications to deeply submerged submarines.
- Geophysical probing to identify and characterize natural ionospheric processes... so that techniques can be developed to mitigate or control them.
- Generation of ionospheric lenses to focus large amounts of HF energy... thus providing a means for triggering ionospheric processes that potentially could be exploited for DOD purposes.
- Electron acceleration for the generation of IR (infra red) and other optical emissions... that could be used to control radio wave propagation properties.
- Generation of geomagnetic-field aligned ionization to control the reflection/scattering properties of radio waves.

---

<sup>144</sup> Contract spec. no. SS-HAARP-02 dated 3/2/90, section 4.1.1.

<sup>145</sup> Contract specification no. SS-HAARP-02, dated 3/2/90, section 3.1.

<sup>146</sup> Contract no. SS-HAARP-02 dated 3/2/90, Section 1.

- Oblique heating to produce effects on radio wave propagation at great distances from the heater, thus broadening the potential military applications of ionospheric enhancement technology.
- Generation of ionization layers below 90 km to provide radio wave reflectors ("mirrors") which can be exploited for long range, over-the-horizon, HF/VHF/UHF surveillance purposes...<sup>147</sup>

Although HAARP is being managed by the Air Force and Navy, it is a purely scientific research facility which represents no threat to potential adversaries and would therefore have no value as a military target.<sup>148</sup>

Electromagnetic systems that could be affected by HAARP operations at either of the sites could include high-frequency communications, FM radio, mobile VHF radios, wildlife trackers, citizen band radios, hand held transceivers, UHF communications equipment, VHF radio telephone systems and television.<sup>149</sup>

The final Environmental Impact Statement was dated well after the contract had been awarded to ARCO Power Technologies, Inc. (Elsewhere, we've noted the use of the ionosphere as a "reflector" of brainwave frequency range signals for the purposes of "entrainment" of an entire geo-political group.) Is the meaning of this Tesla technology what Ira Einhorn was about to make public? And what's this really going to be used for? Probably something we haven't yet realized.

There is much to be uncovered about the dark thoughts of the cryptocracy -- broadcast into your mind or not. Investigative journalist, Rita Hill says, "This is a dangerous time. We might need some journalistically nonstandard approaches. We are probably being fed some disinformation. There are also very real possibilities of being mind-controlled or killed. Or, as (Gunther) Russbacher told me: 'Keep in close contact with your networks'." Is it unthinkable that the U.S. cryptocracy would attack a physics network the same way it attacked the civil rights and anti-war movements of the Sixties?"

One would expect to see a lot of bodies piling up in front of the doorway to multi-dimensional space and time, or in front of the safe that keeps the blueprints for a portable cold fusion reactor, or in front of the shoebox that holds the plans for the levitating automobile and transport engine. Remember the slaves that buried the Pharaoh.

Anybody who gets their hands on some multi-dimensional thing better watch out! They might rule the world. And God forbid they put it into the public domain so

---

<sup>147</sup> Contract no. SS-HAARP-02 dated 3/2/90.

<sup>148</sup> HARP PACT SHEET, 11/4/93, page 2.

<sup>149</sup> HAARP Record of Decision, Final Environmental Impact Statement, 10/18/93, page 14.

everybody could have one. That would really make this time and place obsolete. Even the metaphor is dangerous. Control mind, control thoughts, control the future. A place for everything and everything in its place -- especially for the undisciplined masses.

Clever psychologist and cryptoligarch, Timothy Leary<sup>150</sup> said:

**"There are two aspects of this social conditioning regime which are not stressed by Skinner. To make it work, the government psychologists must have total control over the citizenry and there must be TOTAL SECRECY and censorship.**

**In order to condition human behavior it is necessary to get control of stimulus early in childhood and to maintain this control throughout life. In the psychological utopia, conditioning would be accompanied by continual psychological testing so that special aptitudes and potential trouble-makers are identified early in the game and special conditioning programs set up, tailored to eliminate individual eccentricity.**

**Political conditioning requires not only control of reward and punishment, but also secrecy... Psychological conditioning techniques cannot be employed in a democracy where minority groups can campaign against and publicly discuss the techniques being used, and publish the answers to screening tests, where citizens have the right to avoid the conditioners.**

**Thus the proposals of B.F. Skinner cannot be implemented except in a state where the government has total control of communications...**

Omar V. Garrison<sup>151</sup> cut it closer to the bone as early as 1967 when he said:

**In the totally controlled society of George Orwell's nightmarish novel, "1984", the individual had one retreat that Big Brother could not penetrate: "Nothing was your own except a few cubic centimeters inside your skull."**

**But in America today, even those "few centimeters" of cranial refuge are under siege...**

**The dangers of psychotechnology are real. They are being applied. We were warned twenty years ago, in 1974, by the U.S. Senate, 93rd Congress, 2nd Session which investigated and published a book which too few have read. It was entitled *Individual Rights and the Federal Role in Behavior Modification*:**

**Dr Robert L. Schwitzbel of the Claremont Graduate School in California, published a book, *PSYCHOTECHNOLOGY: Electronic Control of Mind And Behavior* in which he describes the present and**

---

<sup>150</sup> Timothy Leary, *Exo-Psychology*, Starseed/Peace Press, San Francisco, 1977.

<sup>151</sup> Omar V. Garrison, *Spy Government*, Lyle Stuart, New York, 1967.

potential use of brain implants and radio telemetry to monitor human emotions, location and behavior, and to control behavior in various fields, including law enforcement.

Dr. Barton Ingraham and Dr. Gerald Smith, both recent recipients of Ph.D. degrees from the School of Criminology, University of California, Berkeley, advocated the permanent implantation of radio receiver-transmitters in the brains of parolees (See Issue in Criminology, Fall 1972). they envision the automatic monitoring of parolees by a computer which, if it detected a probability of misbehavior would deliver an electrical shock to his brain and/or by calling the police to his radio-monitored location.

Prisons aren't obsolete, but the thought of hardwiring the mind is. There's no need for it anymore. Why bother with Delgado's neurological plumbing approach when the already existing neurological wiring can be accessed.

Within the cryptocracy, for years, there was much talk of the "LIDA" machine, a Soviet instrument supposed to be used for "medical therapy." It finally surfaced when the cryptocrats of The New World Order thought about using it on David Koresh at Waco. It was reported they decided not to use it since there was nothing but a small lab model in the U.S. at the time.

The LIDA was presented as "an instrument for the treatment of neuropsychic and somatic disorders wherein light, sound and VHF electromagnetic field pulses are simultaneously applied by means of a control unit to the patient's central nervous system with a predetermined rate. The light and sound sources exert an adequate and monotonous influence on the patient's visual analyzers and auditory analyzers respectively." The patent claims beneficial effects in the treatment of "inorganically caused neuropsychic and somatic disorders, such as neuroses, psychoses, insomnia and hypertension."

The LIDA gives off pulsed radio fields which, it is said, can produce strong behavioral effects. The device was developed by L. Rabichev at Kishinev, Soviet Armenia and is covered by U.S. Patent number 3,773,049.<sup>152</sup> The U.S. Navy received a small LIDA instrument under an exchange agreement with the USSR. Dr. W. Ross Adey, Dr. Eldon Byrd, John Richards and Howard Sukenik tested it from July 19, 1982 to July 26, 1983 at the V.A. Medical Center at Loma Linda, California.

Adey, Byrd and company made a preliminary evaluation of the device using animal models. Rabbits were tested first, but they slept most of the time. The scientists then tried the tests on cats with better results. They tried the RF and light and pulsed sound and heat in all combinations and one at a time. From the

---

<sup>152</sup> U.S. Department of the Navy, *Possible Behavioral Effects Produced by Pulsed RF Fields from Soviet "Lida" Medical Therapy Instrument*, provided through FOIA request to Armen Victorian, March, 4, 1994.

report it would appear that the LIDA device lulls animals to achieve "sustained" states of sleep. It is apparent that the LIDA might be a good tool of conditioning.

While the Adey/Byrd study was brief and inconclusive the researchers reported their interest and revealed the government's interest in a vast area of mind control research in the electromagnetic spectrum:

**We regard this study as of great importance in pilot studies of behavioral effects of environmental electromagnetic fields. The principal investigator is continuing data acquisition and analysis with the aid of a part time undergraduate student, Mr. Howard Sukenick, without whose help much already accomplished would remain to be done. Mr. Sukenick is paid from other research sources, but funding for an effective development of this project is essentially nonexistent.**

**It is therefore requested that urgent consideration be given to an evaluation of the importance of this project, with a view to its renewal and expansion, to permit examination of a vast range of potentially important new field parameters not available with the LIDA instrument. Automated data analysis is becoming imperative to permit intercession and intersubject comparisons. Computer facilities for this work are readily available in our laboratory, but require appropriate personnel support...**

Paul Stonehill of the Russian Ufology Research Center in Tarzana, California stumbled along a parallel path.<sup>153</sup> His work in translating UFO and related stories from Russian led him to find a 1991 article entitled "Once More About Psychic Weapons" which was authored by A.V. Kalinets-Bryukhanov who Stonehill calls, simply, K.B.

**K.B. stated that the first (and only) experimental model of a device to program the human intellect and psyche had been accepted by Soviet authorities back in 1965. It was to be improved, using the K.B. design for a system of "remote operational influence."...**

However, to cover up the device's existence the Soviets did what Col. Prouty says the U.S. cryptocracy routinely does, they ran a group of phony projects that looked like the real one. K.B. revealed that the "much buzzed about psychic weapons do exist." Stonehill said several articles he found reveal that the research was done secretly in a small basement beneath the old botanical gardens of the Odessa State University that was the site of the Bioelectronics Scientific Research Department:

**Test animal brains demonstrated that when cellular transformation resulted from fields of especially destructive force, manifestations of paranormal abilities like clairvoyance became possible. When the**

---

<sup>153</sup> Paul Stonehill, *Soviet Psychic Warfare*, Pate Magazine, February 1994, p. 70.

animals were treated with these fields, they could literally see through opaque barriers...

Trouble was the effects were short-term because the brain tissue disintegrated uncontrollably. But in totalitarian societies it's "never mind" -- keep doing the research. Why not try humans?

...experiments had been conducted on prisoners sentenced to death. The results were the same.

Later, using the experimental data, the researchers located phrenological zones of the skull, responsible for motivating various actions of the research subjects. The topography of these zones was recorded in special tables. These experiments helped Soviet scientists find the most effective electromagnetic pulse field operating conditions to reproduce cerebral tissue that would create the planned personality characteristic. For example:

Giorgy V. was a draftee in the Soviet Army, assigned to serve in Afghanistan. His health was quite good. After his assignment with the *spetznaz* forces, Giorgory became indecisive. He became obsessed with the feeling of near death. He believed that he was not "sufficiently strong spiritually" to enforce his "international duty" (that is how the Soviets described their occupation of Afghanistan).

So, he and a group of other draftees who, like him, had their doubts about service in Afghanistan, were sent to Odessa to undergo the treatment and develop their will power and sense of duty. Magnetic emitters were placed on his superciliary arches, the parietal area, the cranial arch, and the cervical vertebrae area. Giorgory was treated only once.

Later that year, Giorgory took part in a dangerous military mission. His *spetznaz* unit was withdrawing from a *kishlak*, an Afghan village. The *kishlak* was surrounded by *dosshmany*, or guerrillas. During a fierce gun battle, Giorgory protected the commanding officer with his body. For his valor, the fallen soldier was awarded the highest Soviet military honor, the star of Hero of the Soviet Union.

Stonehill says K.B.'s article ended strangely:

Having observed the brain as a receiving and transmitting device, the researchers had discovered certain wavelengths. Using them, it is possible to influence various sections of the brain directly, reproduce cerebral tissue, and then provoke unusual changes in the qualities of individual psyches. Then one can program anything into the brains of experimental subjects.

Just like in the movie *Brainstorm*?

In the fall of 1991, Stonehill reports, a two-part *Molodaya Gvardia* magazine ran a story under the heading "psychotronic weapons." The article said:

The weapons are dreadful. A human being becomes a silent cog in a hellish machine of all-devouring fear. An individual's brain can be suppressed, activities curtailed, and such an individual will submit to any wish of the operator.

Emil Fedorovich Bachurin, the author of the article says that the first experiments to create psi-weapons were conducted by the infamous Dr. Mengele in the Dachau concentration camp. Stonehill says Bachurin is not the only one to mention the Nazi foundation of psychotronic weapons. He writes:

In July of 1993, Alexander Ryskin, a Russian journalist, published an article in Los Angeles, (*Almanac Panorama*), in which he claims that the Nazis were able to use such technology to hinder the Soviet offensive in Berlin, in May of 1945.

Ryskin reported that the Soviets captured the results of Nazi research, and brought them to the Soviet Union, but more documentation to substantiate the claim was not presented. Ryskin's anonymous source told him that no serious research took place after World War Two in the USSR until 1979. Stonehill says:

But Akimov of the CNT ( Center for Non-traditional Technologies) indicates that the research started in the early 1960s. This is confirmed by K.B.; 1965 is specifically mentioned.

Stonehill says that several types of *psi-oruzhiye* (psychic weapons) are mentioned in the new open Russian literature. The first is infrasonic radiation (around 7 hertz in frequency) which tortures and kills. The second type, he says, is high powered microwave and ultrasound. These affect the nervous system and induce insomnia. Highly portable weapons of this type have been developed. The third type of psychic weapon involves several systems: choral emitters, choral guns, pyramid sets and cavity structures. The destructive effect with these Buck Rogers devices is achieved by their emission of tiny particles, chronos, or *time carriers*. Stonehill reports that such beams can penetrate everything on their way to tearing to pieces the human aura.

Should the energy circle (aura) around an individual's head be hit, the mental abilities of the targeted person will be affected. Such weapons do not kill, but maim the psyche.

The fourth type, Stonehill says, is the most dangerous for human targets, but unlike some of the others it's safe for the operator.

It is known as a *psi-amplifier*, and *psi-data unit*. And generators they truly are. What is being generated is electromagnetic radiation that conforms to brain frequencies.

Such radiation, when directed at the target, can be used to suggest and transmit anything, any feeling – love, hate, euphoria, anger, anguish, and suicidal thoughts. The psi-generators can be used for remote transmission.

A few decades ago researchers at the University of Southern California and University of Illinois began an experiment to confirm the longstanding theory that the brain stores memories by "hard-wiring" new connections between groups of neurons in the brain. Recently the culmination of the research was announced by Psychobiologists Richard F. Thompson of USC and William Greenough of the University of Illinois. They reported several independent approaches to the question, all of which indicated that memories are hooked up just like ordinary wiring.

In the Summer of 1989, Dr. Michael Persinger of Laurentian University in Ontario Canada announced he'd invented a helmet that could induce UFO abduction experiences. The helmet is reported to be able to send specific frequencies into the hippocampus area of the back brain. During such stimulance, volunteers report UFO abduction experiences, out-of-body experiences, and a wide range of altered states of consciousness.<sup>154</sup>

In the hands of even a well-functioning democratic republic this new arms race of supposed "non lethal weaponry" would be a menace to our freedoms, but in the hands of a cryptocracy it threatens to turn our world into a zombie planet.

We can only turn to global *Cybernetic Samisdats* like the Internet for hope. Eventually the truth shall surface. Will it make us free? Researchers, mount your indexes! Hackers, mount your computers! Journalists, file your FOIA requests!

New hardware will continue to overwhelm us. Perhaps the solution to our human dilemma, like the ultimate solutions in Silicon Valley resides with a thorough understanding of software. Ultimately all problems are opportunities. It's all in our mind.



## 30

### TUNED TO A MENTAL RADIO?

**H**ad I not heard this story, in essence, from a half dozen other survivors of this kind of mind control, I would not have included it here. But we video taped a number of credible people talking about these "voices" in their heads. People who experience this are what Martin Cannon referred to in his book *The Controllers* as "wavies." Cannon wrote:

Every Senator and Congressional representative has a "wavie" file. So do many state representatives. Wavies have even pled their case to private institutions such as The Christic Institute.

And who are the wavies?

They claim to be the victims of clandestine bombardment with non-ionizing radiation -- or microwaves. They report sudden changes in psychological states, alteration of sleep patterns, intracerebral voices and other sounds, and physiological effects. Most people never realize how many wavies there are in this country. I've spoken to a number of wavies myself.<sup>155</sup>

I don't like the term "Wavie." It's a hard-hearted term which does not show any sympathy for the people who are suffering this way. They're suffering just as much as the people who have survived the so-called Project Monarch. I think I'll term them E-M Targets, E-M for electromagnetic spectrum, since the technical possibilities exist that they are experiencing bombardment by ELF, VLF, SHF microwaves, magnetic waves and other radiations of the electromagnetic spectrum which can be modulated so that voices can be heard inside the head, without implants, without speakers.

And of course, this is the hardest thing for public agencies to believe, since, heretofore if you report voices in your head, you would be automatically diagnosed as schizophrenic -- a catch-all term of the past. I must admit that when I listened to Mary, the first E-M Target I met in 1980, I had a hard time taking her seriously. (The biggest secrets are kept by public incredulity.)

But then I heard another and another and now, the E-M Targets would appear to outnumber other types of mind control survivors. One man on the east coast is

---

<sup>155</sup> Martin Cannon, *The Controllers*. Prevailing Winds Research, Santa Barbara, Ca., 1993

pursuing his case in the Supreme Court. Another man is one of the best mind control researchers and lecturers around. A woman on the West Coast was driven near death by the voice. Another woman functions very well, but with great difficulty. Many of these survivors keep in touch with each other through The Freedom of Thought Foundation. Every day I read mail from another new person, saying basically the same thing.

One of the survivors sent me this book. I've written to the author, supposedly Dorothy Burdick, through the vanity press who published her book. I tried the phone number and a query on the network. Burdick has dropped out of sight.

I'm going to excerpt enough of her book to give the reader an idea of the kind of thing the E-M Targeted survivors are describing. Burdick describes it very well:

In the beginning I only had to deal with two Voices at a time," Dorothy Burdick<sup>156</sup> said. "Out back, when I was riding, it seemed that one Voice was using a receiving machine and that the other was projecting to me and watching me at the same time. They were probably trying to make me think that the gadgets involved were simple...

My sleep at night was constantly inhabited by Voices. I had difficulty sleeping. I kept trying to imagine what it was anybody could possibly want with me. I tried to hang on to the idea that I was really alive, comparatively well, and, above all, sane. I was well aware that I might be certifiably insane.

I read in the paper about a volunteer university group who got admitted to well-known mental health centers across the country because they heard voices. They volunteered. Seven were diagnosed as schizophrenics and one as a manic-depressive. Once incarcerated, they convinced psychiatrists that they had recovered and were discharged as schizophrenics in remission. I reflected that of the people who consult psychiatrists about one-third are helped, one-third stay the same, and one third get better on their own. I decided to get better on my own.

During times when I was out riding my horse in the ring the Voices would tell me that they were going to make my horse stumble and then he would indeed stumble. Since he was sure-footed and the ring a good working base, I was reasonably certain that they could reach his nervous system but I couldn't understand how. It seemed like a direct hit. Unfortunately for me, the only way that Shiloh and I could communicate were through our mutual physical actions, his voice, my voice, voice tones and eye contact.

---

<sup>156</sup> Burdick, Dorothy. *Such Things Are Known*, Vantage Press, New York, 1982

One day I was walking from the stable to the house and got such a blow to my solar plexus that it knocked me to my knees. there was nobody around to see me except from the air. Evidently I had displeased someone, or so it seemed to me at the time. I took quite a ribbing from the Voices. As I walked between the house and the stable they would count in cadence to my stride as I marched in my boots...

Looking back on it I find it hard to describe my emotional state. I didn't believe in spirits. I believed in men and their ability to cause harm. It seemed as though someone was out to get me and I thought I knew why. I was thinking in terms of the horse trainer's personal vanity and the locale as a government security situation. I knew the (Linear) Accelerator (which was next door to Burdick's home) was valuable and the most powerful in the world. Seemingly it was wide open to the public and almost anyone could go in there, yet it must have some protection. The United States simply couldn't afford to have it unprotected. The only people that could be seen were so-called groundsmen, who were students, patrolling on their motorbikes. Yet right next door was the source of particle beams and many other things necessary to weapons research.

There was nothing consistent in the approach to my person, or any pattern of events that I could identify. The main purpose at which "they" were succeeding, seemed to be to upset me emotionally and throw me off balance continuously. I felt that I was being put through a course in directed thinking. I never had an opportunity to have a blank mind, and have not since. I was never alone in my mind. I tried to be objective about myself, but I realized that I was so subjectively involved that there was no way that I could get outside the situation to defuse it. I took every stimulus as it came, becoming increasingly apprehensive. I rode on sand in the ring and trod on emotional sand out of the ring. It was heavy going...

...The information I could find indicated that the visual capability of computers was limited (1980's). There is a machine FOCUS (Flexible Optical Control Unit Stimulator) which projects hallucinatory images directly onto the retina of the eye. I felt that I was seen by human eyes because of the quality of the personal remarks I received during previously private routines. At times it seemed as though my own thoughts were bounced back to me, randomly, using different pitches of the same Voice. I read that some efforts had been made to simplify visual images into a primal sketch to cut data processing, and that visual mapping techniques had been applied to auditory, olfactory, tactile and probably emotional states. The brain was referred to as an information sink, and the vocal chords as a transmitting terminal.

Machine voices transmitting signals could be received by human sensory organs.

In physics and biophysics every feedback system became a servo-system. In education the teachers were making flow-charts. No human activity was unaffected by the application of computerese. I was aware that every computer, robot or communications system had to have a human mind programming and making it operate. I knew that the completed program could be automatic and self-correcting. An example is the psychiatrist who invented Parry, a man who bet heavily on horses and was stalked by a vengeful bookie. Psychiatrists at a terminal receiving the program could not decide whether they were interviewing Parry or a live, paranoid patient.

At times I was overwhelmed by feelings of not being able to cope with the information explosion, especially under the circumstances in which I was living. I felt that the machines taking me over were directed by some evil, human enterprise.

At a sophisticated level programmers have to be advanced mathematicians, physicists and electrical engineers. They have been joined by the psychiatric and psychological fraternity. The best academic thinking seems to be that human intelligence is tied to human perceptions. Computers have been responsible for improved medicine and rehabilitation, but they have been developed in universities and think tanks with government money supplied by the taxpayers. The results are often classified.

Machines are tireless, unlimited by a nervous system or emotions. I did not like what I could feel emotionally, sense physically, and understand intellectually. I felt both played upon and outplayed. The whole environment was both personal and terribly impersonal. I had nobody I could talk to except myself, and I was not sure that I was in any condition to take on the job of both internal and external listener and judge. I was demoralized, confused and receiving too many inputs which were activating too many memories. I could not seem to sort my information effectively. I was like the sorcerer's apprentice sweeping faster and faster to stem the tide. I was no computer which could switch through its vast memory to separate accuracy from error. I was a human being lost in a miasma of emotion, imagination, grasping for workable strategies, and all the while the Voices kept telling me. "You're programmed. You're programming yourself. We're programming you." When I put myself to the task of sorting it out, they told me. "You're fucking your head off."

Like most victims, especially those who were experiencing the mental radio effects in the early eighties, Dorothy did a lot of research trying to figure out what was happening to her.

Mail and phone calls coming into, or going out of, the United States are screened by computer. Until 1976, the government consistently denied intercepting private communications of American citizens. The National Security Agency admitted that this was the purpose of Operation Shamrock in Senate Select Committee hearings chaired by Frank Church in the aftermath of Watergate. Operation Shamrock's immediate purpose was to uncover foreign involvement in the anti-war movement occurring in the United States, but this also caused domestic surveillance.

National Security Agency headquarters at Fort Meade Maryland are larger than the CIA's and more modern than the Pentagon's whose computers work with difficulty. NSA has the most powerful computers in the world. Its annual budget is estimated in excess of one and a half billion dollars. Nobody is sure what they spend.

Senate Select Committee hearings brought out the fact that NSA has the capacity to monitor domestic telephone traffic. The bulk of interception and acquisition of information sent by citizens is being done by the intelligence community at selected points in long-lines telecommunication system in this country and around the world.

My husband had been using phone and telex communications for many years. At a later date a woman friend would ask me if my husband had perhaps involved me in the harassment I was suffering. In my ignorance I denied it, but I have come to see that she was wiser than I. Her husband had been involved in RAND, a government think tank...

One of the things E-M Targeted individuals are frustrated with is trying to answer the question "why am I targeted?" One of the survivors brought this out in the documentary interview we did with him. He said, "It's pointless to try and figure it out. It's where everybody goes wrong. Perhaps one is targeted because they were in the wrong place at the wrong time. You can't figure out why they chose you." But Dorothy, writing at this early date could not help but try to identify her mind watchers.

...'They' seemed to be reading over my shoulder. I thought they might be using a new technological toy involving powerful ocular vision or even periscope vision. I was positive that what I was rereading was being read by others concurrently. I was jumpy, but not really frightened...

...The voices did follow me to Foothill (a school at which Dorothy lectured). I was nervous enough facing a class of adults without being heckled by some unknown agency while spouting forth on nutrition. As I tried to concentrate on my notes and illustrate on the blackboard, an insidious male Voice had no trouble penetrating the ear that was nearest to the open doorway. I grasped the lectern securely and gazed into the eyes of my students, and desperately, tried to concentrate on what I wanted to tell them. As a last resort I asked them if there were any questions. They rescued me. In the give and take with the class, I could almost forget that an unknown Voice, unheard by the class, was making indecent suggestions or commenting on my performance in less than complimentary terms. To my great relief, class was finally over. The students even came up and asked some more questions. They seemed to think that everything was normal.

I was angry and militantly decided to try and make a call to the San Mateo Police Department from campus. I used an outdoor booth and then realized that I could be heard by someone outdoors. I went into an office and asked to use their phone. When I reached the police department they wanted to know what I was calling about, and I told them I was being harassed. the woman who took the call seemed excited and gave me a Woodside number to call when she discovered I was a resident of that town. I did not write it down because I was suddenly horrified to realize by their comments that my tormentors were listening to me even indoors on campus. This was a new and terrifying idea to me because although I could accept the fact that the house was bugged, and that my car was bugged, it had not until this point occurred to me that I could be reached anywhere. The action and the emotional tension .

I left the office and still had the presence of mind to walk around the central part of the campus looking for a van that might contain radio equipment. There was such a truck here, but it was closed and I couldn't see into it. The Voice that bugged me during lecture always came from one side or overhead. I had become accustomed to the fact that at home I was living in a goldfish bowl, and that anyone could very easily guess my location from the sounds that issued from the house. I thought an eavesdropper might account for my discomfort, and I knew that there were some that were powerful enough to pick up sound over a mile or so. What puzzled me was whether they actually could see me and how much. I had also considered the whole problem from the point of view of heat sensitivity, knowing full well that at nocturnal temperatures below 98.6 F, I would be warmer than any surface in the house, and that I would be visible in an infrared beam...

Recently I watched a popular TV program in which people reported receiving phone calls from the dead. How easy it would be for government jokesters using satellite communications to ring their phones and using previously recorded voice prints, manufacture voices to make them think that they were talking to the dear, dead departed. How macabre, but sadly, how possible! The only question the performance raised in my mind was whether this was part of a real government program of disinformation or whether it was just the bored action of some government surveillance team amusing themselves.

...I wrote my brother, a retired naval officer whom I thought quite knowledgeable in the fields of advanced math and physics. I needed somebody to talk to who wasn't emotionally involved, and I was convinced that there was some kind of surveillance equipment being used, left over or stolen from Vietnam.

Her brother wrote her back saying:

There were a number of very interesting devices developed in the Vietnam war. Of course, I am not cleared for gossip at this point, so I don't know any details. The business of seeing at night has been around for a long time in the form of the 'sniperscope,' some of which have found their way into surplus. It depends upon an infra red beam, and was refined sufficiently in Vietnam so that it was like watching people in broad daylight. The type of electronic devices you mention are known to exist and have sometimes been mentioned in the press, without any details. I am not sure, but I believe that the operation of some of that stuff is illegal. It sounds like somebody who has access to military or law enforcement type of equipment. What I am saying is that the devices do exist. What I am also saying is that not very many people have access to the more refined ones."

In another letter her brother offered suggestions we have heard over and over as part of the E-M Target folklore:

"The next time you hear your friends, wrap your head in aluminum foil. *If it is being carried by ultra high frequencies, the aluminum foil will shield it out.* But if you get no distinct decrease in volume, then you must consider another source. You can even use aluminum foil as a direction finder. If you get positive results, put a piece of aluminum foil in a rack about three by two feet. Then when you hear your friends, hold it alongside your head and rotate. The position of minimum volume indicates the direction of the source."

This gives you the ability to triangulate. If the source should be fixed, you could drive around in a car and eventually pin the location down pretty well. I don't think that the apparent aural effects as to direction have much significance, if UHF is the source. Of course, you would probably have to have a driver while you were swinging your aluminum kite around.

If the above give positive results, then it may well be time to obtain a field strength meter which operates in the gigahertz range and will detect a field strength of one microvolt per centimeter and doesn't cost too (?) much... The meter will give you a rough estimate on distance with some practice. You would be able to do things like locate places where it was weakest, thereby giving you an opportunity to avoid the nuisance.

If you can do both of the above suggested procedures, and demonstrate records thereof, the chances are that somebody will start to listen to what you have to say. I think that the Go/NOGO bit is important. If you can go to some clown, regardless of status, and tell him, "Look I can shield the stuff out," then all legitimate muttering concerning psychiatrists and psychologists will cease. UHF will tend to have some cornering effect. You may have to manufacture a tin suit to wear, complete with helmet. However the simple use of foil about the head or even putting a bucket on your head would cause a detectable change...

Dorothy said her brother's letters were "daylight in darkness" to her. Typical to what the others I've interviewed say, Dorothy reported:

I have never been so alone or depressed in my life. At first I assured my husband that I had a great time in Pullman. It seemed easier than telling him the truth. I was exhausted...

Early in May, 1978, I asked my brother what might have the potential of both X-ray and periscope because I seemed to be visible whether in darkness or light, and visible when theoretically I should be invisible to outside eyes. I explained that I was a moving target, and that it was a little like being, in the zoo while being one of the animals. I told him that I thought the point of the whole thing was to make me think that I was Joan of Arc and hearing Voices. I wrote, "This is no simple matter. Whomever it is using a device which transmits sound in two directions and is probably very small and portable. It can be aimed at an individual so that the person targeted can hear the sound, but people near them cannot. it is either part of, or used in conjunction with, extremely powerful optics. It may also have a heat sensor, and be used at night, because they follow me in the dark. It is so powerful



that noises can be heard from all over the house, and it can be surmised what we are doing, Very possibly it is only an eavesdropping device, but it's definitely two-way. It seems to have a bent-angle optical capability. It very possibly may have been borrowed or stolen from the Linear Accelerator." I also wrote that it occurred to me that someone on security at the university or the Accelerator might be playing a practical joke, and included the information that all our telephone conversations were heard. I told him that the equipment involved seemed to be something more than you could buy at the local radio supply house.

I had found a report in the paper about a bizarre CIA weapons proposal. It recounted the CIA's search for offbeat weapons designed to stun enemy agents into submission with electric shock. An electronic net sending five shocks a second into the arms of an enemy agent could cause pain, but not kill healthy people. In electrically sensitive subjects a fatal heart attack might occur. The article did not tell whether animal tests took place. I had the feeling that they might have done a little work on this at the university. Everything I could put together kept leading me right back to Silicon Valley, and that great national resource the all-American university. "While I was packing for my trip I got suggestions from the Voices about what to take, what to leave out, what toilet articles to include and a general razzing. They always seemed to be able to tell what I was doing.

In the shower I was blitzed by their comments, generally insulted, and in quality, the kind that the American Legion uses at conventions when they go out on the street slightly smashed and goose girls with electric probes. I did not discuss this with my husband. If he couldn't believe in Voices he could hardly be expected to believe in long distance ray-guns.

My husband drove me to the airport. We had Voice company all the way to the San Francisco terminal although my husband was unaware of it. I thought to myself, 'They must be doing this by car. I just have to last to the airport. Thank God they can't follow the plane!'

A short time after I was settled in my seat I became aware that 'they' seemed to be sitting behind me, toward the rear. I thought they might be playing a tape with added sound effects of ice tinkling in glasses and the usual air travel departure noises. The male Voice and the girl's Voice were discussing me in none to complimentary terms.

'I bet she thought she was going to get away from us at the airport,' he said.

'Then we have a surprise for her.'

He continued, 'There she is trying to act natural and relaxed. Too bad Dorothy. Too sad, Dorothy. You aren't going to get away with a thing!'

...I thought, *This must be costing someone quite a good deal of money...*"

They followed me successfully through the hall to the bathroom and goosed me thoroughly in the shower. They razzed me while going to the john and touched me here and there with light shocks. While cleaning my teeth I got shot bending over, and my teeth and head ached. I felt as though I was in place with my clothes off, or in a shooting gallery with no place to hide. I steeled myself to go back to the bedroom. I knew their stun gun could inflict pain. I had watched them work on the dog, who would yelp and run away biting his behind and looking to see what had stung him. They worked me over from stem to stern. My body muscles seemed to cramp one by one. The sensations started as a tingling and increased in intensity to painful spasm. The more they applied what seemed to be higher voltage, the more cramping and resistance my muscles developed. If they stopped for a minute or two I was so apprehensive that I couldn't relax. I turned my back thinking I could at least protect my viscera with my skeleton. They worked on every muscle in my back until I was tense with pain. I got up and walked around. I lay on my back. I felt hot, and broke out in a sweat. I could feel my blood pressure going up. My heart pounded, and I knew they could kill me. At one point they worked on my head, and a female Voice said, 'You gave me a headache, now I'll give you a headache!'

They left my head and sex organs alone, quite happy with their stimulation of my muscles and circulatory system. At one point I put the mattress on the floor thinking that they wouldn't be able to shoot up at me so easily, or down. I couldn't tell which. I thought they were down in the parking lot because I could hear people walking back and forth, and the Voices seemed to be coming from there.

All the time there was a constant barrage of Voices. "Let her have it." "You think you're so tough." "How's that?"

Like most people who I've spoken with in this condition, Dorothy was driven to take action. Where does one turn? To law enforcement authorities. She had already been laughed at by the locals, so she tried the FBI:

I dialed the FBI office in Seattle, and a very straight-up, square-type Washingtonian answered. I found I was going to have trouble from then on, both speaking and thinking coherently because my

tormentors began numbing my brain. It was a distinct numbness on the side of my forehead nearest the windows. I had difficulty giving my name and location. My speech, which minutes before had been clear, was slurred. I explained that I thought someone was using classified equipment that had been carried over state lines to harassment, and that the nature of the equipment was such that it raised my blood pressure, caused my heart to pound, and gave me craps in my muscles. The agent who answered told me that he knew of no equipment that could do any of these things, and that I really ought to see a psychiatrist. I did ask him if there was an FBI man in Pullman I could talk to, and he assured me that nobody would talk to me at all. I hung up the phone feeling beat...

Later, I found out that radio waves or electromagnetic energy emanating from one little black box at 388 megacycles causes the recipient to become confused and lose his memory. Prolonged exposure may produce insanity. At the time I had not grasped the idea that the same principle is easily adapted to space technology. I was thinking in terms of local events and people I had seen and a protective government. The whole project seemed designed to keep me earthbound...

After some incidents in the yard and an increasing feeling of being a rather interesting mouse being teased to death by a cat...

I had difficulty accepting the idea that my mind could be read or thoughts anticipated. The whole concept of one's mind being read is hard to believe while it is going on. It's a little like having someone constantly looking over your shoulder. The first reaction is to reject the idea and to tell yourself, "You're imagining things." Then I began to think of ways in which what I was about to say might be picked up by machine, because I tend to articulate thoughts and aspirate before I speak what I'm going to say. Perhaps most people do this. As I considered how my thoughts might be picked up before I uttered them, I realized that I move my throat, my tongue, my glottis and spirate, almost forming the words with my mouth and throat before I speak them. I really struggled to overcome this for a while I finally came to the conclusion that, although all the muscles from my head down to my focal chords were still, what I was thinking consciously was being picked up in some way. This was about the end of April, 1978...

In her notes Dorothy describes some of the most common experiences of an E-M Target:

I have been fed bad language, obscene suggestions, and alternatively fed a line and had it withdrawn. This is part of the brainwashing techniques, alternating a feeling of love with hate, or feelings of security with insecurity. "The most popular diagnosis of my mental state would have to be paranoid- schizophrenia. The manic state coincided with pleasurable conditioning, and the depressive state with pain, pressure and harassment. I realize that very few people would believe me because (1) they won't believe it possible; (2) they would prefer not to believe it; and (3) they do not know that such technical instrumentation is available."

Capabilities: Can be aimed from a great distance accurately. Provides incredible X-ray or sonar location in the whole house. Has stun-gun affect, which slows thought and speech. It raises the pulse rate, blood pressure; can produce palpitations, heal, and seems to stimulate vagina, clitoris, and possibly mental pleasure centers in the brain as well. Can also cause muscle tension and pain."

Another entry noted that she believed that she and her husband had been the target of "very sensitive listening equipment." She continued noting:

We have been subjected to subliminal conditioning by someone who has used it before, probably in the military. One could be said to be conditioned for exhibitionistic sex due to the fact that I can tell by comments that my husband and I are being watched."

I have accumulated enough testimony to do another volume just on the E-M aspect of mind control.

# YOU ARE BEING OBSERVED



Have you ever considered that, when you pick up a telephone and talk to the party on the other end, perhaps others too are listening in to your conversation? Not only this—it may be recorded and analyzed as well!

The biggest Government security agency in the U.S. today screens and then destroys nearly forty tons of recorded phone calls and other messages each day. This agency is neither the CIA nor the FBI, but the NSA (National Security Agency). The NSA's budget is double that of the CIA and its headquarters is in Fort Meade, Maryland. It has no official spokesman and issues no press releases. Its 24,000 employees are forbidden to tell anyone where they work. Created by President Truman in 1952, its existence was not made public until five years later.

Working in secrecy, the NSA electronically records every international phone call and telegram—then analyzes them by computers which check for calls.



## THE WARRIOR'S TONGUE

**J**ohn Alexander is a busy man these days, not only is he one of the moving forces behind PSITECH, a company that sells military developed remote viewing skills (RVS) to private enterprise, he is the program manager for nonlethal defense at the Los Alamos (N.M.) National Laboratory, an author (*The Warrior's Edge*), and a practitioner of the gem of mind control arts -- Neuro-linguistics Programming.

Today, after 32 years of military service this retired Colonel has the responsibility of drawing together and nurturing many nonlethal weapons devices which could disable key electronic equipment, blind weapons sensors or shut off the power to a capital city. He has drawn upon a variety of disciplines involving polymer chemistry, microbics, kinetics, acoustics, electrical engineering, materials science and information science, just to "demonstrate their feasibility," in the burgeoning science called Nonlethal defense, at least so said *Aviation Week & Space Technology*.<sup>157</sup>

"As the concept has evolved," Alexander is reported as saying, "we have come to focus our efforts on antimaterial systems. If you can stop the machines of war, you can inhibit the prosecution of conflict."

A Special Forces Army man, Alexander worked on advanced weapons concepts including directed energy devices for most of his career. Now he's employed as a civilian to provide allied commanders with "options to ambiguous situations," including the peacetime problems of counterdrug or antiterrorist operations, through which, many believe, the last vestages of freedom will fall.

Alexander's teams, *Aviation Week* said, are developing scenarios for using the broad range of technologies, while he is pushing for an even greater investment in large-scale modeling and simulations of non-lethal weapons' capabilities and long-term effects. "Each use of nonlethal weapons will depend on the situation, and each situation will need a coherent policy approved by senior leadership."

"The assumptions applied during concept development must be broadened beyond conventional applications of force, Alexander said. "I believe they offer alternatives that go far beyond just being adjuncts to traditional military operations."

---

<sup>157</sup> *Aviation Week & Space Technology*, p. 19-20, January 24, 1994.

"At their most effective," *Aviation Week* reported, "nonlethal weapons would weaken combatants before a situation turns lethal. Key to the success of peacekeeping is the avoidance of casualties and hostage-taking, which can lead to heightened tensions or outright hostilities."

One has to think of them as they will inevitably be used, against the dissident civilian populations of the Allied countries. Of course a number of the non-lethal or invisible weapons would fall under the category mind control.

It makes no difference to Alexander. A psycho-civilized society might be very good for the national security. It doesn't matter how you play the game, the important thing is to win. "In most wartime scenarios we are going to win," Alexander said, "so how you win becomes important." Take Waco for example?

Alexander may represent the lighter side of the Army's long term PSYOPS campaign... if you call psychotronic weapons the lighter side. His current cause celeb is to sell the "Non Lethal Weapons" systems to law enforcement agencies.

Congressman Charlie Rose is quoted as saying, "I've seen some incredible examples of remote viewing -- (Alexander's specialty) so much so that I think we ought to pay close attention to developments in this field, and especially to what the Soviets are doing. If they develop a capacity to have people mentally view secret centers within this country, we could come to the point where we didn't have any secrets."<sup>158</sup> Is the metaphor "when information travels at the speed of light there is no secrecy" manifesting?

Ron McRae, author of *Mind Wars* wrote: "Early in 1981, a group of investors asked the congressman's help in securing Pentagon funding for an electronic paranoia inducer. Astronics, Inc., hoped to manufacture the 'psychic neuron disrupter,' which according to the investors, interferes with the connection between nerve cells in the brain and induces temporary paranoia. The psychological effect, they say, is 'similar to that of hallucinogenic drugs such as LSD, but transmitted electronically." The range of the existing device is supposedly limited, but could be extended for military applications. Rose submitted himself to a test of the machine, and he thinks it worked: "We don't know how to build the hyperspatial nuclear howitzer, but we do know how to jam the synaptic connections of the nervous system. It deserves some research money." Despite weeks of negotiations and apparent interest at the Pentagon, no contract was signed. The company folded a year later.

"Rose also tested telepathic hypnosis with the help of Judith Skutch, a wealthy New York patron of psychic research who teaches "A Course in Miracles" at the Army War College. With Rose standing at her side," McRae wrote, "Skutch and several other psychics associated with the Army War College broadcast psychic

---

<sup>158</sup> Ron McRae, *Mind Wars, The True Story of Secret Government Research into the Military Potential of Psychic Weapons*. (St Martin's Press, New York, 1984.)



'love emanations' at Speaker O'Neill from the gallery of the House, commanding the unknowing majority leader to turn his head left and right on command, and then, according to one participant, commanding him to favor public works projects in the congressman's district. Skutch claims the same can be done to the Soviet leadership, and Barbara Marx Hubbard, a noted psychologist whom the army consults on psychic developments, hopes to 'bombard the Kremlin with love, not missiles.' Rose refuses to comment on the incident."

Steve Bratcher of SKBI Research,<sup>159</sup> suggests that Speaker of the House, Tip O'Neill may have died as a result of "Non Lethal Weaponry."

"I was given a tip by an intelligence agent. He asked me, 'Why don't you see if Tip was killed?'" Bratcher said. "O'Neill was sucker-punched with electronics more than once. He was told about it. They turned right around, used it two or three times on him. He knew about it. He knew that it worked. They sucker-punched him again. Who's to say that he wasn't killed by it?"

Whether or not O'Neill was killed by "Non Lethal Weapons" remains to be seen. It is well known that pacemaker's which regulate heart patients can be stopped by microwaves.

For a spook, John B. Alexander has a lot on the record -- even for a spook in the post Cold War era. In *Military Review* Journal Lt. Col. Alexander described psychotronic weapons and telepathic hypnosis. He gazed whistfully into the future, toward a day when the U.S. military would have "the ability to heal or cause disease can be transmitted over distance, thus inducing illness or death for no apparent cause."

He wrote about mind weapons which could: "give psychic ability to personnel so they could read documents at a distance or visualize the geographic layout of an enemy's distant military installation," or "to discern troop, ship, or submarine whereabouts." He foresaw the day when the ordinary human could use their mind to command an enemy to do something he would not otherwise do -- at a distance. Sound familiar?

Alexander spoke of what might be the ultimate weapon of the future. (Some say the government spent a lot of research on Radionic weaponry.) He spoke of "disease projection", a technology by which the U.S. military could induce illness or death "*especially heart attacks and asphyxiation*" (emphasis added). He said, "uncontrollable fright and fear could also be generated by mind power." He postulated that there would come a day when we'd have "mind alteration", which was "the long-distance ability to cause an opponent's mind -- say, that of a president or prime minister -- to grow confused and unable to function."

---

<sup>159</sup> Telephone interview with the author, July 2, 1994.

Some of it would appear to be disinformation -- like when Alexander spoke of "psychokinesis", the ability to move physical objects " through mind power."

One's first impression would be that it all was disinformation, all this stuff about psychotronic weaponry, indeed. However it is known that the cryptocracy has funded fifty years of reasearch into telepathy, hypnosis, and remote viewing. And more than one laboratory experiment has indicated that the mind can move physical objects -- and even erase magnetic tape and interfere with internal computer signals.

Armen Victorian, an intrepid British researcher got on Alexander's case and published his research in *Lobster Magazine*<sup>160</sup> calling Alexander "The Pentagon's Penguin" in the title of his article. From that time forth, Alexander and Victorian were not friendly. Victorian's article began:

On April 22, 1993, both BBC1 and BBC2 showed on their main evening news bulletins a rather lengthy piece concerning America's latest development in weaponry -- the non-lethal weapons concept. David Shukman, BBC Defence Correspondent interviewed (Retired) U.S. Army Colonel John B. Alexander and Janet Morris, two of the main proponents of the concept<sup>161</sup>. The concept of non-lethal weapons is not new. Non-lethal weapons have been used by the intelligence, police and defense establishments in the past<sup>162</sup>. Several western governments have used a variety of non-lethal weapons in a more discreet and covert manner. It seems that the U.S. government is about to take the first step towards their open use.

Victorian disclosed that Alexander was the man behind the thrust to develop "non-lethal weapons." He pointed out that in December of 1980 he'd published the article "*The New Mental Battlefield*" in the U.S. Army's journal, *MILITARY REVIEW* which, he said, caught the attention of senior Army generals who encouraged him Alexander, to pursue what they termed "soft option kill" technologies.

After retiring from the Army in 1988, Alexander had joined the Los Alamos National Laboratories and had begun working with Janet Morris, the Research Director of the U.S. Global Strategy Council (USGSC), chaired by Dr. Ray Cline, former Deputy Director of the CIA<sup>163</sup>. Victorian revealed what he had found by examining the backgrounds of Morris and Alexander:

---

<sup>160</sup> Armen Victorian, *Non-Lethality, John B. Alexander, The Pentagon's Penguin*, *Lobster Magazine*, June, 1993.

<sup>161</sup> Letter dated 2 April, 1993, to Armen Victorian from Mrs. Victoria Alexander.

<sup>162</sup> The U.S. Army Chemical and Military Police used "Novel Effect Weapons" against the women protesters at the Grecham Common Base.

<sup>163</sup> The United States Global Strategy Council is an independent think tank, incorporated in 1981. It focuses on long-range strategic issues. The founding members were Clare Boothe Luce, General Maxwell Taylor, General Albert

Throughout 1990 the USGSC lobbied the main national laboratories, major defence contractors and industries, retired senior military and intelligence officers. The result was the creation of a Non-lethality Policy Review Group, led by Major General Chris S. Adams, USAF (retd.) former Chief of Staff, Strategic Air Command <sup>164</sup>. They already have the support of Senator Sam Nunn, Chair of the Senate Armed Services Committee. According to Janet Morris, the military attaché at the Russian Embassy has contacted USGSC about the possibility of converting military hardware to a non-lethal capability.

In 1991 Janet Morris issued a number of papers giving more detailed information about USGSC's concept of non-lethal weapons <sup>165</sup>. Shortly after, the U.S. Army Training and Doctrine Command at Fort Monroe, Virginia, published a detailed draft report on the subject titled "Operations concept for Disabling Measures." The report included over twenty projects in which John Alexander is currently involved at the Los Alamos National Laboratories.

In a memorandum dated April 10, 1991, titled "Do We Need a Non-lethal Defense Initiative?" Paul Wolfowitz, Under Secretary of Defense for Policy, wrote to Defense Secretary Dick Cheney, "A U.S. lead in non-lethal technologies will increase our options and reinforce our position in the post-Cold War world. Our Research and Development efforts must be increased."

But Victorian wanted to know "How lethal is non-lethal? And he reviewed the specious arguments put forth by the purveyors of invisible warfare:

To support their non-lethal weapons concept, Janet Morris argues that while "war will always be terrible... a world power deserving its reputation for humane action should pioneer the principles of non-lethal defense <sup>166</sup>." In "Defining a non-lethal strategy," she seeks to establish a doctrine for the use of non-lethal weapons by the U.S. in crisis "at home or abroad in a life serving fashion." She totally disregards the offensive, lethal aspects become available to "rogue" nations. Despite her arguments that non-lethal weapons should serve the U.S.'s interest "at home and abroad by projecting power without

---

Wedemeyer, Dr. Ray Cline (Co-Chair), Jeanne Kirkpatrick (Co-Chair), Morris Leibman, Henry Luce III, J. William Middendorf III, Admiral Thomas H. Moorer USN (retd), General Richard Stilwell (ret.), Dr. Michael A. Danile (President), Dr. Dalton A. West (Executive Vice President). Its Research Directors were Dr. John Alexander, Dr. Roger Pontaine, Robert L. Katula and Janet Morris.

<sup>164</sup> NONLETHALITY; DEVELOPMENT OF A NATIONAL POLICY AND EMPLOYING NONLETHAL MEANS IN A NEW STRATEGIC ERA - a project of the U.S. Global Strategy Council, 1991, p.4. Other staff members of the USGSC are Steve Trevino, Dr. John B. Alexander and Chris Morris.

<sup>165</sup> The USGSC has issued a wide variety of papers on the Nonlethal Weapons Concept. For example, IN SEARCH OF NONLETHAL STRATEGY (Janet Morris); NONLETHALITY; A GLOBAL STRATEGY -white paper; nonlethality briefing supplement no. 1; AND NONLETHALITY IN THE OPERATIONAL CONTINUUM.

<sup>166</sup> IN SEARCH OF A NONLETHAL STRATEGY, Janet Morris, p.1.

indiscriminately taking lives or destroying property <sup>167</sup>, " she admits that "casualties cannot be avoided <sup>168</sup>."

Closer examination of the types of weapons to be used as non-lethal invalidates her assertions about their non-lethality. According to her white paper, the areas where non-lethal weapons could be useful are "regional and low intensity conflict (adventurism, insurgency, ethnic violence, terrorism, narco-trafficking, domestic crime) <sup>169</sup>." She believes that "by identifying and requiring a new category of non-lethal weapons, tactics and strategic planning" the U.S. can reshape its military capability "to meet the already identifiable threats" that they might face in a multipolar world "where American interests are globalized and American presence widespread <sup>170</sup>."

The inventory of invisible weapons Victorian found in Janet Morris' "White Paper" recommends two types of life-conserving technologies":

To destroy or impair electronics, or in other ways stop mechanical systems from functioning. Amongst current technologies from which this category of non-lethal weapons would or could be chosen are:

Chemical and biological weapons for their anti-materiel agents "which do not significantly endanger life or the environment, or anti-personnel agents which have no permanent effects <sup>171</sup>."

Laser blinding systems to incapacitate the electronic sensors, or optics, i.e. light detection and ranging. Already the Army Infantry School is developing a one-man portable and operated laser weapons system known as the Infantry Self-Defense System. The U.S. Army's Armament Research, Development and Engineer Center (ARDEC), is also engaged in the development of non-lethal weapons under their program called "Low Collateral Damage Munitions" (LCDM). The LCDM is trying to develop technologies leading to weapons capable of dazzling and incapacitating missiles, armored vehicles and personnel.

When inventorying the supposed "Non-lethal electromagnetic technologies", Morris made no mention of mind control or the well-documented destructive qualities of the electromagnetic spectrum. Victorian remains faithful to Morris' inventory:

---

<sup>167</sup> NONLETHALITY: A GLOBAL STRATEGY - WHITE PAPER, p3.

<sup>168</sup> IN SEARCH OF OP CIT, p. 3.

<sup>169</sup> Victorian noted that at the siege in Waco, Texas, a "nonlethal" technique projecting subliminal messages, was used to try to influence Koresh - without effect.

<sup>170</sup> NONLETHALITY: A GLOBAL STRATEGY - WHITE PAPER, p. 2.

<sup>171</sup> Victorian cites: The computer data base compiled during the CIA/Army's Project OPTEN, examining several thousand chemical compounds, during 1976-1983, is a most likely candidate for any chemical agents for nonlethal weapons.

Non-nuclear Electromagnetic Pulse weapons <sup>172</sup>. As General Norman Schwarzkopf has told the U.S. Joint Chiefs of Staff, one such weapons stationed in space with a wide-area-pulse capacity has the ability to fry enemy electronics. But what would be the fate of enemy personnel in such a scenario?

In a joint project with the Los Alamos National Laboratories and with technical support from the Army's Harry Diamond Laboratories, ARDEC are developing High Power Microwave (HPM) Projectiles. According to ARDEC, the Diamond lab has already "completed a radio frequency effects analysis on a representative target set" for (HPM).

Among the chemical agents, so-called supercaustics - "Millions of times more caustic than hydrofluoric acid"<sup>173</sup> - are prime candidates. An artillery round could deliver jellied super-acids which could destroy the optics of heavily armored vehicles or tanks, vision blocks or glass, and "could be used to silently destroy key weapons systems <sup>174</sup> "

From the covert to the ridiculous, Victorian's article covered the "less lethal aspects" of invisible warfare. It talked about the, now widely publicized use of net-like entanglements for SEAL teams, and "stealthy" metal boats with low or no radar signature, "for night actions, or any seaborne or come-ashore stealthy scenario"<sup>175</sup>. It described as "more colourful concepts" the use of chemical metal embrittlement, often called liquid metal embrittlement and anti-materiel polymers" which are supposed to be used in aerosol dispersal systems, spreading chemical adhesives or lubricants ( i.e. Teflon-based lubricants) on enemy equipment from a distance. You can just see the Iraqi tank battallions now, spinning their treads on the crossroads of Kuwait.

Was this kind of stuff just to soften us up for the "anti-personnel non-lethal pitch? Janet Morris was not to be the first science fiction writer who had worked for the cryptocracy. Remember there was L. Ron Hubbard, Robert Heinlein, and a host of others in the "Philadelphia Experiment" days.

Janet Morris, co-author of *THE WARRIOR'S EDGE*, was best known as a science fiction writer but had been a member of the New York Academy of Sciences since 1980. She was also a member of the Association for Electronic Defense and was

---

<sup>172</sup> The British MoD is already developing a "microwave bomb". Work on the weapon is going on at the Defense Research Agency at Farnborough Hampshire. See SUNDAY TELEGRAPH, September 27, 1992, partly reproduced in LOBSTER 24, p. 14. The Royal Navy is already in possession of laser weapons which dazzle aircraft pilots. The Red Cross has called for them to be banned under the Geneva Convention because they could permanently blind.

<sup>173</sup> IN SEARCH OF A NONLETHAL STRATEGY, P. 13.

<sup>174</sup> Ibid.

<sup>175</sup> The U.S. Navy, through its Project SEA SHADOW, has already developed a stealth boat. Like the Lockheed F117A stealth fighter, it leaves no radar signature - BBC, Newround, April 28, 1993.

the Research Director of the U.S. Global Strategy Council (USGSC). She was initiated into the Japanese art of bioenergetics, Joh-re, the Indonesian brotherhood of Subud, and graduated from the Silva course in advanced mind control. She had been conducting remote viewing experiments for fifteen years and had worked on a research project investigating the effects of the mind on probability in computer systems. Her husband, Robert Morris, was a former judge and a key member of the American Security Council <sup>176</sup>.

According to Victorian, Morris' inventory of "Non-Lethal Personnel Weapons" included hand-held lasers which were meant "To dazzle," but could also cause the eyeball to explode and to blind the target. She pushed for isotropic radiators -- explosively driven munitions, capable of generating very bright omni-directional light, with similar effects to laser guns, and high-powered microwaves (HPM) - which she revealed the U.S. Special Operations command already had as a portable microwave weapon <sup>177</sup>.

Myron L. Wolbarsht, a Duke University ophthalmologist and expert in laser weapons stated: "U.S. Special Forces can quietly cut enemy communications but they also can cook internal organs <sup>178</sup>."

Victorian said that another "non-lethal weapon" Morris and Alexander waxed poetic over was Infrasound -- acoustic beams. In conjunction with the Scientific Applications and Research Associates (SARA) of Huntingdon, California, ARDEC and Los Alamos laboratories were busy "developing high power, very low frequency acoustic beam weapons." At the same time they were exploring methods of projecting non-diffracting (i.e. non-penetrating) high frequency acoustic bullets. ARDEC scientists were also looking into methods of using pulsed chemical lasers. This class of lasers could project "a hot, high pressure plasma in the air in front of a target surface, creating a blast wave that will result in variable but controlled effects on materiel and Personnel."

"Of course it's public knowledge," Victorian said. "that some governments have used infrasound as a means of crowd control -- e.g. France -- as they have used very low frequency (VLF) sound (20-35 KHz), or low-frequency RF modulations to cause nausea, vomiting and abdominal pains. "Some very low frequency sound generators, in certain frequency ranges, can cause the disruption of human organs and, at high power levels, can crumble masonry<sup>179</sup>."

The CIA had a similar program in 1978 called *Operation Pique*, which included **bouncing radio or microwave signals off the ionosphere to affect mental functions of people in selected areas including Eastern European nuclear installations** <sup>180</sup> (emphasis added).

<sup>176</sup> Victorian's taped conversation with Janet Morris, March 1, 1993.

<sup>177</sup> THE WALL STREET JOURNAL, January 4, 1993.

<sup>178</sup> IN SEARCH OF A NONLETHAL STRATEGY, p. 14.

<sup>179</sup> REMOTE CONTROL TECHNOLOGY, Anna Keller (FULL DISCLOSURE, Ann Arbor U.S.A., 1989) p. 11.

Victorian thought that the non-lethal weapon concept opens up a new Pandora's box of unknown consequences. He discovered that the main personality behind NLW was retired Colonel John B. Alexander. Born in New York in 1937, Alexander spent part of his career as a Commander of green Berets Special Forces in Vietnam, led Cambodian mercenaries behind enemy lines, and took part in a number of clandestine programs, including Phoenix. He currently holds the post of Director of Non-Lethal Programs in the Los Alamos National Laboratories. Alexander obtained a BS from the University of Nebraska and an MA from Pepperdine University. In 1980 he was awarded a PhD from Walden University (20) for his thesis "To determine whether or not significant changes in spirituality occur in persons who attend a Kubler-Ross life/death transition workshop during the period June through February 1979." His dissertation committee was chaired by Elizabeth Kubler-Ross. Victorian said Alexander had "long been interested in what used to be regarded as 'fringe' areas." As an example of "fringe areas" Victorian said that Alexander had while a Captain in the infantry at Schofield Barracks, Honolulu, gone "diving in the Birimi Islands looking for the lost continent of Atlantis. He was an official representative for the Silva mind control organization and a lecturer on Precataclysmic Civilizations<sup>181</sup>. Alexander is also a past President and a Board member of the International Association for Near Death Studies; and, with his former wife, Jan Northup, he helped Dr. C.B. Scott Jones perform ESP experiments with dolphins<sup>182</sup>."

More than just exploring the "fringes" of science, retired Major General Albert N. Stubblebine (Former Director of U.S. Army Intelligence and Security Command) and Alexander were both on the board of a "remote viewing" company called PSI-TECH. The company also employed Major Edward Dames (ex Defense Intelligence Agency), Major David Morehouse (ex 82nd Airborne Division), and Ron Blackburn (former microwave scientist and specialist at Kirkland Air Force base).

Victorian said that Alexander's company, PSI-TECH, had "received several government contracts. For example, during the Gulf War crisis the Department of Defense asked it to use remote viewing to locate Saddam's Scud missile sites. In 1992 the FBI sought PSI-TECH's assistance to locate a kidnapped Exxon executive."<sup>183</sup>

---

<sup>180</sup> Walden University, 801 Anchor Road Drive, Naples, FL 33904, USA. Walden University considers itself a non-traditional university and does not offer any undergraduate courses to its students.

<sup>181</sup> The U.S. Army Command and General College, Fort Leavenworth, Kansas, issued this on Alexander's career: "Colonel John B. Alexander, U.S. Army Retired, manages Antimateriel Technology at Los Alamos National Laboratories, Los Alamos, New Mexico. His military assignments included; Advanced Systems Concepts Office, Laboratory Command; manager, Technology Integration Office, Army Materiel Command; assistant deputy chief of staff, Technology Planning and Management, Army Materiel Command; and chief, Advanced Human Technology, Intelligence and Security Command."

<sup>182</sup> Taped telephone conversation with Dr. Scott Jones, Aug. 17, 1992.

<sup>183</sup> Taped telephone conversation with Maj. Edward Dames, June 27, 1992; and THE BULLETIN OF ATOMIC SCIENTISTS, Dec. 1992, p. 6. 24. THE WARRIOR'S EDGE, Col. John B. Alexander, Maj. Richard Groleir and Janet Morris, (William Morrow Inc., New York, 1990).

PSI TECH's promotional material<sup>184</sup> says that it specializes in "proprietary studies for science and industry on a contract basis." That's the way the CIA often likes it.

The material says that "PSI TECH consists of a select, technically qualified group of professional analysts who provide a unique data collection capability not available anywhere else in the world. We are a team of highly trained Remote Viewing specialists." Remote Viewing is a science, it says, which "has been validated by governmental and private scientific groups over the last two decades. Briefly stated, *a remote viewer is able to locate and accurately describe things and events distant in time and space (italics are theirs.)*" It says the company has "developed applied remote viewing into a powerful investigative tool," and it can "provide you with reliable information that simply may not be available via any other means!"

Among the "potential applications" the brochure lists:

- ◆ Increase understanding of natural and scientific phenomena
- ◆ Concept development: describe alternative (often unique) approaches, seed ideas; help focus R&D into high-payoff pathways
- ◆ Establish cause/effect, connectivity/linkage; discover "hidden variables"
- ◆ Quickly sort, analyze and project the most promising critical, enabling technologies
- ◆ Review the key aspects of prior events, re-look accidents, establish the source of device or experiment failure
- ◆ Penetrate, survey and describe locations that are inaccessible via any other means
- ◆ Conceptual and detailed subject sketches; target geometries

Among the attempts at remote viewing for hire, the company advertises:

#### **The Crisis Profile of Saddam Hussein.**

A large company with strategic oil interests in the Mid East wanted the remote viewers to look at the Gulf War's effects upon the near and far term price of oil and analyze Saddam Hussein himself. Psi Tech tried to look at his intent, motivation, and emotional and behavioral states, penetrated his war room, gather information concerning his battle plans, operations, force strengths, and possible deception schemes, and to provide a six-month general outlook for the region.

#### **Investigative Report: Hydrogen-based Automobile Power Plant RDT&E**

---

<sup>184</sup> GLOBAL COMPETITIVE STRATEGIES, PSI TECH, "At Work in the Mind of Science", Box 212, Albuquerque, New Mexico, 87125. 1994.



A major auto company hired PSI TECH to perform a world-wide search for key research and applied engineering work related to hydrogen-powered automobiles. The brochure says: "We located and described engineering projects in North America, Japan, France, China, Germany and the USSR. Our final report placed emphasis upon the most potentially successful of the projects, and included sketches of prototype designs, and descriptions of essential associated engineering features such as turbines, flywheels, hydraulic and electric components, etc. (Interestingly, we determined that the most potentially successful design would not belong to our customer!)"

### **Projected Key Technologies for Lunar In-Situ Resource Processing**

This client was a large engineering company who wanted help in selecting -- or creating -- the "most economical technologies with which to extract lunar elements (primarily oxygen) for intended use as a possible lunar base energy source, and as a source of propulsion for Moon-Mars expeditions. PSI TECH furnished the company descriptions/sketches of actual future lunar mining and resource processing operations, and recommendations with regard to power generation devices."

- ◆ Other PSI TECH contracts are only listed by their descriptive title:
- ◆ Enigma Penetration: Soviet Phobos II Space Craft Imaged Anomaly
- ◆ Projected Technologies: Advanced Deep Space Propulsion Systems
- ◆ Clandestine Iraqi Biological Weapons Facilities
- ◆ A Relook of the KAL Flight 007 Shoot Down
- ◆ Atmospheric Ozone Depletion - Projected Consequences and Remedial Technologies
- ◆ Saint-Exupery Crash Site
- ◆ A Technical Remote Viewing Survey of Martian Surface Anomalies
- ◆ Joint US-Russian Remote Viewing Survey of Titan
- ◆ Key Latin American Narcotics Transshipment Facilities.

One source close to the company said, "a number of these attempts didn't bear reliable fruit."

For \$3,000 you can take a PSI TECH course and learn how to "remote view" yourself. In a mere 7 days of intensive training in the "Technical Remote Viewing" (TM) Course developed by none other than SRI golden psychic Ingo Swann, you can learn how to acquire a *target* (i.e., person, thing, or event, regardless of location in time-space), set up and initiate a *topical search*, discriminate between target-associated data and imagination/personal analysis (which would probably be the most difficult part of succeeding at this) and learn a system by which you can structure "elaborate target-associated information" and several

"analysis-facilitating formats." One would suspect that the processes of NLP are put to good use here.

Should you wish to attend one of PSI TECH's courses, the brochure says, allow an extra day to visit Los Alamos National Laboratory and/or the Santa Fe Institute.

"With Major Richard Groller and Janet Morris as his co-authors, Alexander published *THE WARRIOR'S EDGE* in 1990.<sup>185</sup> The book describes in detail various unconventional methods which would enable the practitioner to acquire "human excellence and optimum performance" and thereby become an invincible warrior<sup>186</sup>. The purpose of the book, the author's write is "to unlock the door to the extraordinary human potentials inherent in each of us. To do this, we, like governments around the world, must take a fresh look at non-traditional methods of affecting reality. We must raise human consciousness of the potential power of the individual body/mind system - the power to manipulate reality. We must be willing to retake control of our past, present, and ultimately, our future ."

Alexander is a friend of Vice President Al Gore's. Their relationship dates back to 1983 when Gore was in Alexander's Neuro-Linguistics Programming (NLP) training ( by Wyatt Woodsmall a student of Anthony Robbins and Richard Bandler.) So, one would assume, most of PSI TECH's customers are government agencies or government contractors.

In his book *The Warrior's Edge*, Alexander said that NLP was "presented to selected general officers and Senior Executive Service members<sup>187</sup>" a set of techniques to modify behavior patterns.<sup>188</sup> Among the first generals to take the course was then Lieutenant General Maxwell Thurman, who later went on to receive his fourth star and become Vice-Chief of Staff at the Army and Commander Southern Command.<sup>189</sup> Among other senior participants were Tom Downey and Major General Stubblebine, former Director of the Army Intelligence security Command. In 1983, the Jedi master (from the *Star Wars* movie) -- provided an image and a name for the Jedi Project.<sup>190</sup> " The Jedi Project's aim was to "seek and construct teachable models of behaviorable/ physical excellence using unconventional means."

According to Alexander the Jedi Project was to be a follow-up to Neuro-Linguistic Programming skills. By using the influence of friends such as Major General

---

<sup>185</sup> Ibid

<sup>186</sup> Ibid

<sup>187</sup> Ibid

<sup>188</sup> Ibid

<sup>189</sup> Ibid

<sup>190</sup> The American Security Council (ASC) BOs 8, Boston , Virginia 22713, USA. ASC is militarist, anti-Communist and right-wing. Formed in the mid 1950s, the Council acts as a right-wing think tank on foreign policy and lobbies for the expansion and strengthening of U.S. military forces. In 1985 the ASC has 330,000 members. See, for example, the entry for the ASC in *THE RADICAL RIGHT, A WORLD DIRECTORY*, compiled by Ciaran O. Maolain (Longman, London 1987.)

Stubblebine, who was then head of the U.S. Army Intelligence and Security Command, he managed to fund Jedi. In reality the concept was old hat, re-christened by Alexander.

Victorian wrote: " The original idea which was to show how 'human will power and human concentration affect performance more than any other single factor ' using NLP skills, was the brainchild of three independent people; Fritz Erickson, a Gestalt Therapist, Virginia Satir, a family therapist and Erick Erickson, a hypnotist (sic)."

The above is incorrect, and is misquoted from Alexander's book *THE WARRIOR'S EDGE*. But it was incorrect in that too. NLP practitioners, Bandler and Grinder modeled successful therapists who were Fritz Perles ( father of Gestalt therapy), Virginia Satir ( a remarkably talented family therapist) and Milton Erickson ( a victim of polio, genius hypnotist and the true father of the basic NLP breakthrough information = communication is 90% behavioral, 5% tonal and 5% content.

All of Erickson's work is now in print. He was a master of the therapeutic metaphor. I interviewed him in 76-77 while doing my basic research for *Operation Mind Control*. Anthony Robbins told me about teaching the army how to improve their skills as marksmen and at the training I received from him, Wyatt Woodsmall (mentioned in Alexander's book) taught us some courses, one of which was "Sort Patterns." Alexander's book contains errors such as the above, naming Milton Erickson, Eric Erickson. He also seems to miss one of the most valuable lessons which makes NLP succeed: the person doing the "nulping" must remain unattached to the other person's content, must not second guess their outcome, and must assert their intention toward a win/win situation. This allows the unique power of the creative imagination to surprise the NLP practitioner. It would seem from his writing that Alexander didn't have a clue about this, and like most defensive people, felt quite at home in the defense business.

In a telephone conversation with Victorian, Janet Morris<sup>191</sup> confirmed John Alexander's involvement in mind control and psychotronic projects in the Los Alamos National Laboratories. She told Victorian: "Alexander and his team have recently been working with Dr. Igor Smirnov, a psychologist from the Moscow Institute of Psychocorrections."

Victorian said after Morris visited Russia in 1991, top Soviet mind-controllers were invited to the U.S. Morris was shown a technique which was pioneered by the Russian Department of Psycho-Correction at Moscow Medical Academy. The Russians employ the technique to "electronically analyze the human mind in order to influence it.

---

<sup>191</sup> Taped telephone conversation between A. Victorian and Janet Morris, March 1, 1993.

"They input subliminal command messages," Victorian reported, "using key words transmitted in 'white noise' or music.<sup>192</sup> Using an infrasound very low frequency-type transmission, the acoustic psycho-correction message is transmitted via bone conduction. Ear plugs would not restrict the message. To do that would require an entire body protection system. According to the Russians the subliminal messages by-pass the conscious level and are effective almost immediately."

Another one of Alexander's collaborators, Victorian revealed, was C.B. Scott Jones, the former assistant to Senator Clairborne Pell ( Democrat, Rhode Island). Scott Jones was a member of U.S. Naval Intelligence for 15 years, as well as Assistant Naval Attaché, New Delhi, India, in the 1960's. "Jones has briefed the President's Scientific Advisory Committee" and has "testified before House and Senate Committees on intelligence matters," Victorian said. After the navy he "worked in the private sector research and development community involved in the U.S. government sponsored projects for the Defense Nuclear Agency (DNA), Defense Intelligence Agency (DIA) and U.S. Army Intelligence and Security Command. He has been head of the Rockefeller Foundation for some time and also chairs the American Society for Psychical Research.<sup>193</sup>"

Victorian said the people he mentioned were all "Birds of a Feather." He explained the meaning of that by explaining their code names: "Alexander and C.B. Jones are members of the AVIARY, a group of intelligence and Department of Defense officers and scientists with a brief to discredit any serious research in the UFO field. Each member of the Aviary bears a bird's name. Jones is FALCON, John Alexander is PENGUIN."

The literature of UFOlogy was filled with stories about one other agent of the so-called AVIARY – a UFO researcher known as William Moore, who was introduced to John Alexander at a party in 1987 by Scott Jones. Moore went public, confessing in front of an audience at a conference held by the MUTUAL UFO NETWORK (MUFON) on July 1, 1989, in Las Vegas, that he was promised inside "information by the senior members of the AVIARY in return for his obedience and service to them." Moore revealed how he participated in the propagation and dissemination of disinformation which had been fed to him by various members of the AVIARY. He also confessed how he had been instructed to target one individual in particular, an electronics expert named Dr. Paul Bennewitz. What made Bennewitz a target, according to Victorian was: he had accumulated some UFO film footage and documentation of electronic signals which were taking place in 1980 over the Menzano Weapons Storage areas, at Kirtland Air Force Base, New Mexico. Victorian said that, "as a result of Moore's

---

<sup>192</sup> In 1989 a U.S. Dept. of Defense consultant and contractor explained to Victorian how he was asked to examine the possibility of devising operational methods of transmitting subliminal messages through the TV.

<sup>193</sup> "Will the Real Scott Jones please stand up?" Victorian refers to an unpublished paper by Gerge Hansen and Robert Durant dated Feb. 20, 1990.

involvement, coupled with some surreptitious entries and psychological techniques, Bennowitz ended up in a psychiatric hospital."

Just before the publication of Victorian's first paper unmasking two members of the AVIARY, he says he was visited by two of their members (MORNING DOVE and HAWK) who had traveled to the U.K. with a message from the senior ranks advising Victorian not to go ahead with his expose. Victorian says he rejected the proposal.

Immediately after the publication of Victorian's paper, John B. Alexander confessed that he was indeed a member of the AVIARY. He said his nickname was PENGUIN. The accuracy of Victorian's information was further confirmed to him by yet another member of the AVIARY, Ron Pandolphi, PELICAN. Pandolphi, Victorian said, was a PhD in physics and works at the Rocket and Missile section of the Office of the Deputy Director of Science and Technology, CIA.

In his book, *OUT THERE*,<sup>194</sup> the NEW YORK TIMES journalist Howard Blum refers to "a UFO Working Group" within the Defense Intelligence Agency. Despite the DIA's repeated official denials,<sup>195</sup> the existence of this working group has been confirmed to Victorian by more than one member of the group itself, "including an independent source in the Office of Naval Intelligence," he said. "The majority of the group's members are senior members of the AVIARY: Dr. Christopher Green (BLUEJAY) from the CIA,<sup>196</sup> Harold Puthoff (OWL) ex-NSA; Dr. Jack Verona (RAVEN) (DoD, one of the initiators of the DIA's Sleeping beauty project which aimed to achieve battlefield superiority using mind-altering electromagnetic weaponry); John Alexander (PENGUIN) and Ron Pandolphi (PELICAN). The mysterious "Col. Harold E. Phillips" who appears in Blum's *OUT THERE* is none other than John B. Alexander.

John Alexander's position as the Program Manager for Contingency Missions of Conventional Defense Technology, Los Alamos National Laboratories, enabled him to exploit the Department of Defense's Project RELIANCE "Which encourages a search for all possible sources of existing and incipient technologies before developing new technology in-house"<sup>197</sup> "to tap into a wider range of exotic topics, sometimes using defense contractors, e.g. McDonnell Douglas Aerospace. Victorian said he had several reports," some of which were compiled before his departure to the Los Alamos National Laboratories when he was with Army Intelligence, which show Alexander's keen interest in any and every exotic subject - UFOs, ESP, psychotronics, anti-gravity devices, near death experiences, psychological warfare and non-lethal weaponry.

---

<sup>194</sup> Howard Blum. *OUT THERE*, Simon and Schuster, 1990.

<sup>195</sup> DIA's letters to Victorian dated July 12, 1991, July 8, 1992, and December 18, 1992.

<sup>196</sup> Dr. Christopher "Kit" Green. BLUEJAY, has admitted that the CIA has compiled over 30,000 files on UFOs, 200 of which are extremely interesting. Green was a CIA member in examining the UFO problem for several years, Victorian notes.

<sup>197</sup> Los Alamos National Laboratory, Institutional Plan Fiscal Year, 1992. Victorian's notes.

"John Alexander utilizes the bank of information he has accumulated to try to develop psychotronic, psychological and mind weaponry," Victorian wrote. "He began thinking about non-lethal weapons a decade ago in his paper *The New Mental Battlefield*. He seems to want to become a "Master." If he ever succeeds in this ambition the rest of us ordinary mortals had better watch out," Victorian said.

But, Armen Victorian didn't watch out enough. Just before this edition was printed, received a letter from Victorian which read:

What I am about to tell you is stuff that I always thought would happen to others and not to us, until it did happen. Despite the long research experience of dealing with the dirty tricks orchestrated by various governments to harass and frighten members of the public, I have to confess that at this pint of time myself and my family feel somewhat confused, and if I don't add frightened, I might not be telling the truth.

1. On June 21, 1994, a rainy day, I was on my way back from our weekly shopping, driving in a busy urban road, where a car parked on the side of the road, without using his indicator veered in front of me (attempting to make a U-turn), as a result I collided with him and my car was written off. I am lucky that no serious injuries occurred to me, and I escaped whilst badly shaken. There were two people in the car, which was an old brown colour Volvo. Immediately after the accident the driver (male) came out and attempted assault on me. His companion, a female, shouted at him, he returned to his car (which was only dented on the side) and drove away. I managed to take his number plate etcetra.

2. On June 23 (two days later), after returning home with my children from their school, I noticed a red colour car parked in front of our house, with two passengers in it, a male and a female. After we entered, the male passenger (very well dressed) came out, walked to our front window, gazed into our room for a couple of minutes, then he went back to his car. A few minutes later he returned with his female companion and rang our door bell. When I opened the door he addressed me with a very friendly voice (as though he had known me for years) calling me by one of my previous pen names which I have not used for a few years. I told him that I am not the person he just addressed. He produced a card, clinched in his hand which I could not see anything of, and asked if they could come in, which I refused. He then looked at his female companion (who was standing beside him). They then walked away, got into their car and drove away.

3. On July 14, whilst I was away on business, I received a call from my wife. She was clearly distressed. She told me that the police had

raided our house and had arrested her, taking away some of my research work as well as our personal documentation. At this point the receiver was grabbed from her hand and a male voice introducing himself as a police officer asked me to introduce myself at a certain police station as soon as possible. He told me that he tried to avoid the embarrassment of arresting me by his colleagues at where I was. I drove back to Nottingham and introduced myself to the police station they had named. They were still keeping my wife in custody. Eventually they tried to interview me in front of a solicitor I had asked to be present. I maintained my right of silence throughout. We were both released on bail pending further investigation. The alleged charges which makes me laugh for the heavy handedness they had applied to us is; "obtaining the British Telecom Services with deception". Which we both totally reject. It is to our mind a plan to frame me, using my wife as perhaps a bargain chip.

4. On July 31, 1994 (Sunday) whilst I was washing the dishes after lunch, I noticed some unusual marks on our kitchen window glass. Upon closer examination I noticed that someone had attempted to cut the glass. To us it was just a signal. I reported it to the police. Our house has been burgled on five previous occasions. I have written several letters to the Home Office and other British authorities with no response to date. All my direct and indirect inquiries as to who carries out such surreptitious entries has been either ignored, or responded to with silence. In each occasion only research work and personal and financial documents have gone missing. Furthermore, since 1989 (I have records) my mail has been continuously tampered with. Some mail has been opened, some gone missing. My inquiries to the Royal Mail have born no fruit.

5. On August 4, 1994, I had gone to meet my solicitor (attorney). I parked my car in a multi-story car park in a shopping mall, adjacent to their offices. When I returned, the door on the passenger side was wide open. Nothing had gone missing. Again I reported it to the police.

6. The CIA in a recent response to my PA request has acknowledged that they do indeed keep a file on me.

7. I might have told you that I possess a Memorandum in Confidence, issued by John Alexander where he openly admits that he has approached the CIA, NSA and the State Department in an attempt to "sort me out." He goes further to add that the US agencies in return have been in contact with the British Intelligence about my research work.

8. On July 15, 1994, I went to the office of our local Nottingham City Council for a routine inquiry about our Council Tax. The VDU (computer screen) was facing myself and the clerk. When he punched my name into the computer, to my surprise the computer showed all the details about my arrest. According to the Data Protection Act of 1984, it is ILLEGAL to have any such records on anyone. These records must be kept on the Police National Computer (PNC) ONLY. The police have assured us that even they did not make such an input in PNC, because there have been no charges. The question is who has leaked this information out? I have already filed a complaint against the City Council through the Data Protection Registrar pending its outcome. I don't hold my hopes high.

So, here we are. In a short period of time we have been through the stuff the movies are made of.

If you want to publicize my case you are more than welcome and indeed I would welcome it. In brief we need help. I never thought I am such a thorn in their eyes. I seldom publish anything. Tell me, if you will, what is your advice.

Armen Victorian  
P.O. Box 99  
Nottingham, NG8 -3NT  
England

One might not give as much credence to Victorian's troubles if Martin Cannon hadn't also had troubles. Both Cannon and Alexander were researching UFO phenomenon and mind control. They both asked a lot of people a lot of questions about John Alexander. They both believe they are targets of harassment or worse from the cryptocratic connections of Alexander.

I listened to the tape recorded tape Cannon provided me. He identified the voice as that of his old friend, fellow UFO research, John Alexander's wife, Vickie. On the tape she told Cannon "John and Ed, are really steamed up over what you've written and they're asking Gordon (Cannon explained he thought Mrs. Alexander meant it was Gordon Novel, a CIA asset alleged to be involved in the Kennedy assassination) to do something about it."

My attempts to interview John Alexander have not succeeded. I've tried to contact him through friends and at his e-mail address. There so far has been no response. I'll say it as the newspaper reporters do: John Alexander was not available for comment at press time.



## CULT CONTROL

**I**n 1990 psychiatrist Dr. Louis Jolyon West, M.D., Professor of Psychiatry, University of California, pet shrink of the cryptocracy<sup>198</sup> gave a speech on cults. As usual it was soft on fact and hard on the cryptocracy line:

**It is estimated that there are more than 2500 cults in the United States...**

**Now there must be a lot more "cults" than that since, the Oxford English Dictionary said the word cult meant: "1. worship -- 2. a particular form of religious worship; esp. in reference to its external rites and ceremonies -- 3. devotion to a particular person or thing..."** Some would say that includes the Moose, Elks, Shriners, Optimists, Boy Scouts, certain football teams, religions of all denominations, hang gliding clubs, sky diving clubs, James Joyce reading groups and on and on. But without further argument, West's comments on "CULTS -- PSYCHIATRIC ASPECTS:"

**Ten different varieties can be identified, but most of them are religious or mystical. All share certain characteristics that differentiate them from religious sects on the one hand, counter-culture communes on the other. Some cults appear to be relatively benign, others harmful, some deadly.**

---

<sup>198</sup> Resume of L.J. West, M.D., includes proudly and overtly notes his service to the Tavistock Institute, Center for Advanced Study in the Behavioral Sciences, U.S. Army (enlisted), U.S. Air Force (officer), Chief, Psychiatry Service, Lackland Air Force Base. Consultant in Psychiatry, USAF Hospitals, Leo J. Ryan Award from the Cult Awareness Network, Examiner American Board of Psychiatry, Advisory Council Behavioral Sciences Div. USAF Office of Scientific Research, National Consultant in Psychiatry to the Surgeon General USAF, Professional Advisory Council National Association for Mental Health, Consultant US Information Agency (CIA front), Exec. Council Committee on Behavioral Research (Advisory on Disaster Research to the Office of Emergency Planning), National Research Council Consultant USAF Aero-Space Medical Center, Consultant Peace Corps, Consultant Bureau of Social Research, Inc. (believed to be covertly CIA funded), Member USA Medical Research and Development Advisory Panel, Consultant V.A. Health Care Committee, National Research Council Division of Medical Sciences, and so on for 24 pages ending in a Bibliography, the last entry of which is: A Review of *Combating Cult Mind Control*. West's fingerprints are all over some of the Nazi-like ideas and experiments in mind control.

Under certain conditions, people can be deliberately manipulated, influenced and controlled to a considerable degree, even to their detriment, and induced to express beliefs and exhibit behaviors far different from what their lives up to then would have logically or reasonably predicted. Furthermore, persons in such situations may suffer harm -- psychological, physical, financial and other -- as a consequence of their having been thus manipulated, influenced and controlled.

Such words as brainwashing, thought reform, coercive persuasion, and the more ominous-sounding "mind control" are often employed to account for the domination and manipulation by some cults of their members. Roughly one-third of the people who leave cults, either voluntarily or through the efforts of concerned family members, will exhibit some kind of psychopathology...

Of course West would not dare mention the cult of intelligence, or satanic and pagan cults which have been co-opted by the cryptocracy and utilized as valuable assets.

At the time, there was a rabid anti-cult audience, so West held the easily led "mental health" community in thrall, especially since the public hadn't yet recovered from the biggest cult mass murder in American history -- Jonestown.

The "Jonestown Massacre", as it came to be called, began when Jim Jones ordered his followers to commit suicide. It ended with nine hundred plus bodies rotting in the Guyanese jungle, most of them black. Nearly three hundred children dead, along with three journalists and the first U.S. Congressman assassinated in the line of duty, machine-gunned on the airport runway. The whole story about Jonestown still hasn't been revealed. Too many bodies were buried too fast. Too many "official" lies were told. But in light of the events in Waco, Texas and our knowledge of mind control, it's worthwhile to take another look:

On November 19, 1978, the day after the so-called Jonestown cult suicide I received a call from Mae Brussell. "Jonestown was a mind control experiment," she said in her usual get-down-to-business style. "There was a Soviet base nearby and the CIA was using the place for something -- maybe just a cover, then Ryan got involved and they decided to see if they could trigger a mass program. The ultimate test -- mass suicide -- to test their mastery at mind control..."

Mae Brussell was one of a kind. The daughter of a Jewish Los Angeles judge and the granddaughter of I. Magnin, Mae had devoted her life to research. It was her passion. She was devoted to citizen's intelligence gathering, and was therefore aware, before any other ordinary citizen ( I mean, without being one who was an accomplice to the crime) that Nazi war criminals had been admitted to the United

States in wholesale numbers, given citizenship, new identities and put to work for the cryptocracy.

When the first edition of this book was published, Mae went out of her way to meet with me. She congratulated me heartily and thanked me for writing this book. In hindsight, I may have been among the first to confirm (without knowing it) some of her conclusions about a totalitarian cryptocracy which was taking over America.

When we talked in San Francisco, that first time, I had the impression that this tiny grandmotherly woman was suffering from input overload. She talked breathlessly, jumping from one subject to another, swimming in facts, weaving together important pieces of a vast patriot's quilt which covered a "conspiracy to invisibly corrupt the constitution." Now, after almost 17 years, I understand only a fragment of what Mae Brussel knew then, and I hold her on a plateau of respect which has levitated through time.

She called me again when John Lennon was assassinated. "Mark David Chapman, Lennon's killer was one of the CIA sleeper agents, programmed to kill like a Manchurian Candidate", she said. (See *Who Killed John Lennon*<sup>199</sup> by Fenton Bressler). And she called again when Ronald Reagan was shot, telling me that his assailant, David Hinkley was hypno-programmed in the same schools as Lennon's assassin.

Mae never got over Jonestown. She knew all about it. She even called it "Camp Mind Control." And, as it turned out, Mae was often ahead of everybody else, but she was seldom wrong.

To refresh your memory: Jim Jones was the leader of a San Francisco-based church known as The People's Temple Christian Church. A powerful orator, Jones drew to his pews the poor, social activists, Hispanics, and mostly Blacks both young and old. His message was peppered with socialistic philosophy. In fact Jones was "a self-proclaimed Marxist fanatic, a white revolutionary who commanded a huge black following of thousands."<sup>200</sup> If we've learned anything from the revelations of COINTELPRO and other covert FBI political operations, we can assume that Jones captured the immediate attention of the cryptocracy.

He was even assisted in his meteoric rise to become the head of an illegal multimillion dollar empire. Building a network of connections with legitimate politicians, Jones was appointed by Mayor Mosconi as the Director of the San Francisco Housing Authority. He supported from the pulpit, and was, in turn, supported by both Ronald Reagan and Richard Nixon. At the same time he was

---

<sup>199</sup> Fenton Bressler. *Who Killed John Lennon*. Dell, 1992.

<sup>200</sup> Silverman, Art. *The Unanswered Questions of Jonestown*, Calendar Magazine, San Francisco Weekly, December 1-15, 1988.

aching weapons, experimenting with brainwashing techniques, using high voltage shock to program the small children of his parishioners, and building an international presence in South America.

Debbie Layton, a former Temple member, told the syndicated TV program *In Search Of*: "Jones wasn't a Christian. He was an atheist. He called Christ, the sky god... He was clever, deceitful and evil. He read all the books on psychology and brainwashing, and he knew all the tricks that would get people to do what he wanted them to do..."

Jones spoke of justice, racial harmony and he spewed fire and brimstone in his criticism of the hypocrisy of this world. At its peak, the Peoples Temple was the largest, richest, and most tightly organized group of self-proclaimed 'revolutionaries' in the entire country. And after gaining such a huge following Jones naturally became the target of the local press.

Jim Jones and his church became the feature of a number of scathing news articles. Jones claimed the negative press attention was motivated by those who opposed his newly-found apocalyptic religion. He used the bad press, especially an 1977 article in *New West*, as an excuse to move most of the members of his church to the 'promised land' in Guyana. But the stories of beatings, kidnappings, sexual abuse and mysterious deaths continued to surface.

Before the events of November 1978, there were no less than a dozen investigations of Jim Jones underway by various law enforcement agencies. Included in these were his alleged involvements in drug smuggling, gun running in the Caribbean, kidnapping, arson, money laundering, customs violations, welfare fraud, illegal broadcast of coded messages, abuse of tax-exempt status, forging trust deeds and even murder. Each of these inquiries was abandoned, stalled, botched, or compromised until it was too late. In several of these cases, classified investigative leads and informants were revealed to Jones. A number of investigative files were found in Jones' cabin in Guyana after the massacre.

All this activity was brought to the attention of congressional members, and Leo Ryan in particular since his electoral district was the bay area, from which most of the complaints against Jones issued. Ryan was not warned about the activities at Jonestown, in fact, it is believed that intelligence agencies intervened with the State Department to limit inquiries and discussions on Jones.

Ryan decided to go to Guyana and investigate the situation for himself. When Ryan and a group of reporters landed on the tiny airstrip at Port Kaituma, briefly visited Jonestown and were murdered as they were attempting to leave Guyana at the airport. Ryan was posthumously awarded the Congressional Medal of Honor, and was the first Congress member to die in the line of duty.

Then followed the "White Night," a supposed mass suicide pact, which was executed by the entire population of Jonestown. Some of the community, made up mostly of Black, women and children, drank cyanide from paper cups of *Kool-Aid* at the urging of Jones. Others refused and were either injected or shot. A modern Masada, children and their mothers died around the main pavilion where Jim Jones allegedly shot himself in the head. For days, the body count mounted from 400 to nearly 1,000. The bodies were flown to the United States and later cremated or buried in mass graves.

Pete Hammill called the corpses, "all the loose change of the sixties." Hammill now wishes he'd never written that.

Mae Brussell's friend and fellow researcher, John Judge saw it differently. In an essay *The Black Hole of Guyana*,<sup>201</sup> he wrote: "The effect (of Jonestown) was electric. Any alternative to the current system was seen as futile if not deadly. Protests only led to police riots and political assassination. Alternative lifestyles and drugs led to 'creepy-crawly' communes and violent murders. And religious experiments led to cults and suicide. Social utopias were dreams that turned into nightmares. The television urged us to go back to 'The Happy Days' of the apolitical 50s. The message was, get a job, and go back to church. The unyielding nuclear threat generated only nihilism and hopelessness. There was no answer but death, no exit from the grisly future. The new ethic was personal success, aerobics, material consumption, a return to 'American values,' and the 'moral majority' white Christian world. The official message was clear."

One early headline read: "Cult Dies in South American Jungle: 400 Die in Mass Suicide, 700 Flee into Jungle."<sup>202</sup> Statements of People's Temple members and accounts in the press claimed there were 1,100 people at Jonestown.

Eight-hundred-nine adult passports were found there, and there were reports of 300 children being there, supposedly 276 found among the dead with 210 not identified. Almost a week later the "official" Guyanese body count was issued by the American Military. That count came to only 913 bodies. Sixteen survivors were then reported to have returned to the U.S.<sup>203</sup>

Numbers don't lie, so at their first chance Americans claimed that the Guyanese "could not count." Next, the Americans proposed another theory -- the Guyanese had missed seeing a pile of bodies at the back of the pavilion. Then, finally, the Americans gave the "official" reason for the discrepancy -- bodies had fallen on top of other bodies, adults covering children.<sup>204</sup>

---

<sup>201</sup> Judge, John. *The Black Hole of Guyana. The Untold Story of the Jonestown Massacre, Judge for Yourself*, Prevailing Winds Research, Santa Barbara, Ca. 1993.

<sup>202</sup> *New York Post*, 11/21/78.

<sup>203</sup> *Guyana Daily Mirror*, 11/23/85.

<sup>204</sup> *The New York Times*, 11/25/78 ("layered," Ridley, Guyana, but U.S. soldier, "only one layer").

"It was a simple, if morbid, arithmetic that led to the first suspicions," John Judge wrote.<sup>205</sup> "The 408 bodies discovered at first count would have to be able to cover 505 bodies for a total of 913. In addition, those who first worked on the bodies would have been unlikely to miss bodies lying beneath each other since each body had to be punctured. Eighty-two of the bodies first found were those of children, reducing the number that could have been hidden below others. A search of nearly 150 photographs, aerial and close-up, fails to show even one body lying under another, much less 500.

"It seemed the first reports were true, 400 had died, and 700 had fled to the jungle. The American authorities claimed to have searched for people who had escaped but found no evidence of any in the surrounding area. At least a hundred Guyanese troops were among the first to arrive, and they were ordered to search the jungle for survivors. In the area, at the same time, British Black Watch troops were on "training exercises," with nearly 600 of their best-trained commandos. Soon, American Green Berets were on site as well. The presence of these soldiers, specially trained in covert killing operations, may explain the increasing numbers of bodies that appeared."

A new phrase was put out in the American press, "Suicide-murder." But was it suicide or was it murder?

Dr. Leslie Mootoo, the top Guyanese pathologist arrived at the scene within hours of the massacre. He turned away the assistance of U.S. pathologist and accompanied the teams that counted the dead, examined the bodies and worked to identify the deceased. While the American press was screaming about "*Kool-Aid* Suicides," Dr. Mootoo was coming to a very different conclusion.

While news reports held that the people of Jonestown died from drinking cyanide laced *Kool-aid*, Dr. Mootoo could find no evidence of cyanide poisoning. In fact, all signs of cyanide poisoning were absent in the Jonestown dead whose limbs were limp and relaxed. The faces showed no signs of distortion, the tell-tale sign death by cyanide.

Cyanide blocks the messages from the brain to the muscles by changing body chemistry which affects the central nervous system. Involuntary functions like breathing and heartbeat get mixed neural signals from cyanide poisoning, the muscles begin to spasm, limbs twist and contort and facial muscles draw back into a deadly grin called "cyanide rictus."<sup>206</sup>

Dr. Mootoo found that 80-90% of the Jonestown victims *had fresh needle marks in the back of the left shoulder blades.*<sup>207</sup> Others were shot or strangled. The gun

<sup>205</sup> Judge, John, op cit.

<sup>206</sup> *A Guide to Pathological Evidence for Lawyers and Police Officers*, F. Jaffe, Carswell Press, 1983.

<sup>207</sup> *Miami Herald*, "Coroner Says 700 Who Died in Cult were Slain", 12/17/78, 12/18/78 "Mootoo Shocks American Academy of Forensic Scientists meeting."

that reportedly shot Jim Jones was lying nearly 200 feet from his body, not next to it as would a suicide weapon. The Guyanese grand jury investigating the mass death concluded that all but three of the people were murdered by "persons unknown." The grand jury concluded that only two people had committed suicide.

Lt. Col. Schuler, the U.S. Army spokesman for the massacre cleanup announced, "No autopsies are needed. The cause of death is not an issue here." The forensic U.S. doctors who did autopsies at Dover, Delaware later, were not aware of Dr. Mootoo's findings.<sup>208</sup>

Despite the Guyanese grand jury's findings the Guyanese government participated with the Americans in a deep cover-up of the real story. The Americans brought in 16 C-131 cargo planes, planes made for carrying tanks, trucks, troops and ammunition at the same time. The Americans claimed they could carry only 36 caskets out at one time. The removal of the bodies took nearly a week. The bloated and rotten corpses that were eventually returned from the tropics of Guyana were impossible to autopsy.

Thanks to the media blitz (including a movie of the week) that followed the massacre, today 98% of the American population recognize the name "Jonestown" and believe it was the mass suicide of a black cult of religious fanatics led by Jim Jones. But what really happened at Jonestown?

The site of the massacre was the Matthew's Bridge section in Guyana, originally the site of a Union Carbide bauxite and manganese mine which had earlier been one of seven possible sites chosen for the relocation of Jews after World War II.<sup>209</sup> Once the site had been prepared by a crew of select Temple members, the "parishioners" were loaded into busses in San Francisco, driven to Florida and loaded onto Pan American charter planes which flew them to Guyana. When they arrived at the airport, the Temple parishioners were taken off the plane, bound and gagged.<sup>210</sup>

"The deception had finally been stripped bare of all pretense. The Blacks were so isolated and controlled that neighbors as close as five miles from the site did not know that Blacks lived at Jonestown," John Judge wrote<sup>211</sup>. "The only public representatives seen in Guyana were white.

---

<sup>208</sup> Maguire, John, *Hold Hands and Die!*, Dale Books, 1978, and Reiterman, Tim, *Raven*, Dutton, 1982.

<sup>209</sup> James C. McDonald: High Commissioner for Refugees, 1933-35" Werner Lib. Bull. #43-44; "Refugee Immigration: Truman Directive." *Prologue*, Spring 1981; *Caribbean Review*, Fall 1981.

<sup>210</sup> Maguire, John, op cit.

<sup>211</sup> Judge, John, op cit.

"According to survivors' reports," Judge continued, "they entered a virtual slave labor camp. Worked for 16 to 18 hours daily, they were forced to live in cramped quarters on minimum rations, usually rice, bread and sometimes rancid meat. Kept on a schedule of physical and mental exhaustion, they were also forced to stay awake at night and listen to lectures by Jones. Threats and abuse became more common. The camp medical staff under Dr. Lawrence Schacht was known to perform painful suturing without anesthetic. They administered drugs, and kept daily medical records. Infractions of the rules or disloyalty led to increasingly harsh punishments, including forced drugging, sensory isolation in an underground box, physical torture and public sexual rape and humiliation. Beatings and verbal abuse were commonplace. Only the special guards were treated humanely and fed decently. People with serious injuries were flown out, but few ever returned. Perhaps the motto at Jonestown should have been the same as the one at Auschwitz, developed by Larry Schacht's namesake, Dr. Hjalmar Schacht, the Nazi minister of economics, '*Arbeit Macht Frei*,' or 'Work will Make You Free.' Guyana even considered setting up an 'Auschwitz-like museum' at the site, but abandoned the idea."

By the time Jones moved the parishioners of The People's Temple to Jonestown, he had amassed a fortune. Press estimates range from \$26 million to \$2 billion, including bank accounts, foreign investments and real estate. Much of this wealth, listed publicly after the massacre, disappeared. Judge says, "It was a fortune far too large to have come from membership alone. The receivership set up by the government settled on a total of \$10 million... In addition there are indications that (George Philip) Blakey and other members were supplementing the Temple funds with international smuggling of guns and drugs." (This seemingly random allegation will take on greater significance as you read further.)

John Judge sums up his conclusions of the significance to the Jonestown massacre for the purposes of this study: "To comprehend this well-financed, sinister operation, we must abandon the myth that this was a religious commune and study instead the history that led to its formation. Jonestown was an experiment part of a 30-year program called MK-ULTRA, the CIA and military intelligence code name for mind control. A close study of Senator Ervin's 1974 report, *Individual Rights and the Government's Role in Behavior Modification*, shows that these agencies had certain "target populations" in mind, for both individual and mass control. Blacks, women, prisoners, the elderly, the young, and inmates of psychiatric wards were selected as 'potentially violent.' There were plans in California at the time for a Center for the Study and Reduction of Violence, expanding on the horrific work of Dr. Jose Delgado, Drs. Mark and Ervin, and Dr. Jolly West, experts in implantation, psychosurgery, and tranquilizers. The guinea pigs were to be drawn from the ranks of the 'target populations,' and taken to an isolated military missile base in California. In that



same period, Jones began to move his Temple members to Jonestown. They were the exact population selected for such tests.

"The meticulous daily notes and drug records kept by Larry Schacht disappeared, but evidence did not. The history of MK-ULTRA and its sister programs (MK-DELTA, ARTICHOKE, BLUEBIRD, etc.) records a combination of drugs, drug mixtures, electroshock and torture as methods for control. The desired results ranged from temporary and permanent amnesia, uninhibited confessions, and creation of second personalities, to programmed assassins and preconditioned suicidal urges. One goal was the ability to control mass populations, especially for cheap labor. Dr. Delgado told Congress that he hoped for a future where a technology would control workers in the field and troops at war with electronic remote signals. He found it hard to understand why people would complain about electrodes implanted in their brains to make them 'both happy and productive.'

"On the scene at Jonestown, Guyanese troops discovered a large cache of drugs, enough to drug the entire population of Georgetown, Guyana ( well over 200,000) for more than a year. According to survivors, these were being used regularly 'to control' a population of only 1,100 people. One footlocker contained 11,000 doses of thiorazine, a dangerous tranquilizer. Drugs used in the testing for MK-ULTRA were found in abundance, including sodium pentathol (a truth serum), chloral hydrate (a hypnotic), demerol, thallium (confuses thinking), and many others. Schacht had supplies of haliopareal and largatil, two other major tranquilizers as well. The actual description of life at Jonestown is that of tightly run concentration camp, complete with medical and psychiatric experimentation. The stresses and isolation of the victims is typical of sophisticated brainwashing techniques. The drugs and special tortures add an additional experimental aspect to the horror. This more clearly explains the medical tags on the bodies, and why they had to be removed. It also suggests an additional motive for frustrating any chemical autopsies, since these drugs would have been found in the system of the dead.

"The story of Jonestown," writes Judge, "is that of a gruesome experiment, not a religious utopian society. On the eve of the massacre, Forbes Burnham was reportedly converted to 'born again' Christianity by members of the Full Gospel Christian Businessman's Association, including Lionel Luckhoo, a Temple lawyer in Guyana. This same group, based in California, also reportedly converted Guatemalan dictator Rios Montt prior to his massacres there, and they were in touch with Jim Jones in Ukiah. ( And they conducted the White House prayer breakfasts for Ronald Reagan.) With Ryan on his way to Jonestown, the seal of secrecy was broken. In a desperate attempt to test their conditioning methods, the Jonestown elite apparently tried to implement a real suicide drill. Clearly , it lead to a revolt and the majority of people fled, unaware that there were people waiting to catch them."

Jim Jones was surrounded by CIA agents or affiliates. He had a long-term friendship with Dan Mitrione, whom he joined forces with in Richmond, Indiana during the 1950's where Mitrione was Chief of Police. Mitrione moved on to the CIA financed International Police Academy, where police are trained in counter-insurgency and torture techniques.<sup>212</sup> Former Green Beret, Charles Beikman was with Jones "to the end." later charged with the murders of several Temple members in Georgetown, following the massacre.

Deputy Chief of Mission for the U.S. Embassy in Guyana, Richard Dwyer was the CIA agent on the scene at the time of the massacre. Present at the camp site and the airport, Dwyer's accounts were used by the State Department to confirm the death of Congressman Ryan. At the massacre site, Jones said, "Get Dwyer out of here" just before the killings began.<sup>213</sup>

Other U.S. Embassy personnel in Guyana, knew the situation well at Jonestown. U.S. Ambassador John Burke, who served in the CIA with Dwyer in Thailand, and was an Embassy official described by Philip Agee as working for the CIA since 1963. was well aware of the situation. A Reagan appointee to the CIA, Burke was employed by the Agency on State Department assignments. Burke made a futile attempt to stop Ryan's investigation of Jones. Also at the Embassy was Chief Consular Officer Richard McCoy who worked for military intelligence "on loan" from the Defense Department<sup>214</sup> at the time of the massacre. He was described as being "close" to Jones.

According to Judge: "The U.S. embassy in Georgetown housed the Georgetown CIA station. It now appears that the majority and perhaps all of the embassy officials were CIA officers operating under State Department covers..."

The State Department concealed all reports of violations at Jonestown from congressman Leo Ryan, yet the Embassy regularly provided Jones with copies of congressional inquiries under the Freedom of Information Act. It is well known that Ryan was no friend of the cryptocracy's. He had challenged the Agency's overseas operations as a member of the House Committee responsible for oversight on intelligence. He authored the controversial Hughes-Ryan Amendment that would have required CIA disclosure in advance to the congressional committees of all planned covert operations. This Amendment was defeated shortly after his death.

Dan Webber, who was sent to the site of the massacre a day later, was also named as CIA.<sup>215</sup>

---

<sup>212</sup> Langguth, A.J., *Hidden Terrors, Pantheon, 1978.*

<sup>213</sup> *New York Times, 11/19/79.*

<sup>214</sup> *New York Times, 12/5,6,13/ 1978.*

<sup>215</sup> *Daily World, 6/23/81.*

"The connection of intelligence agencies to cults is nothing new. A simple but revealing example is the Unification Church, tied to both the Korean CIA (*i.e.*, American CIA in Korea), and the international fascist network known as the World Anti-Communist League. The Moonies hosted WACL's first international conference. What distinguished Jonestown was both the level of control and the openly sinister involvement. It was imperative that they cover their tracks," Judge said.

"The direct orders to cover up the cause of death came from the top levels of the American government. Zbigniew Brezezinsky delegated to Robert Pastor, and he in turn ordered Lt. Col. Gordon Sumner to strip the bodies of identity," Judge wrote.

After the Jonestown massacre, Pastor was promoted to the position of Deputy Director of the CIA. "One can only wonder," Judge wrote, "how many others tied to the Jonestown operation were similarly promoted?"

"The ultimate victims of mind control at Jonestown are the American people," Judge said. "If we fail to look beyond the constructed images given us by the television and the press, then our consciousness is manipulated, just as well as the Jonestown victims' was..."

There never has been a full investigation of the Ryan assassination or the Peoples Temple massacre. There were special Congressional hearings held in the aftermath, but these were so flawed as to be farcical. Subpoena power was not invoked to compel testimony. The staff of the U.S. Embassy in Guyana weren't even called. Only a watered-down report was issued, of which 5,000 pages were classified and withheld from release.

The only trial to result from Jonestown was criminal prosecution of temple functionary Larry Layton, who was tried once in Guyana and twice in the United States. The Guyanese acquitted him of murder charges on the grounds that he had been brainwashed. The second trial was held in San Francisco. The charges were conspiring to kill Congressman Ryan. It ended in a hung jury. The third trial saw Layton convicted on conspiracy charges and sent to prison as Jonestown's single scapegoat.

The judge in Layton's case summarily denied defense motions to obtain documents and testimony regarding State Department or CIA involvement with the Peoples Temple. A group of Jonestown survivors and relatives also filed a \$50 million civil action against the Federal government alleging such involvement, but their case was thrown out almost immediately on procedural grounds and all subsequent appeals were turned down.

Jim Jones opened his first temple in Indianapolis in the late fifties. He sold live monkeys door-to-door to help finance it. He took a sabbatical in 1961-62, living

under somewhat mysterious circumstances in Belo Horizonte, a small city on the Brazilian coast. A reporter from the San Jose Mercury News, traveled to Belo Horizonte after the killings. he reported that several of Jones' neighbors from 1961 said a staff car from the US Embassy visited him there weekly.<sup>216</sup>

When he returned to Indianapolis, Jones announced the temple would move to Northern California. "It may very well be just a coincidence," said reporter Art Silverman, "but another man made the same pilgrimage from Indianapolis to South America at about the same time. he was Dan Mitrione, the Indianapolis police chief at the time of Jones' first Peoples temple. Mitrione later became infamous as the US torture instructor -- working for the CIA under the cover of the Agency for International Development -- who was kidnapped, interrogated and finally murdered by the Tumpamaro guerrillas in Uruguay. Mitrione's story was told in Costa-Gravas' film *State of Siege*.

"Did Jones and Mitrione know each other? Here we move into the twilight zone of conspiracy theories and speculations. A number of years ago I called Mitrione's son, Dan Jr., himself an FBI agent, and asked that very question.

"No," he said emphatically.

"And," Silverman wrote, "that was the end of it until March 1985, when Dan Mitrione Jr. was in the papers himself. He had just pleaded guilty to federal charges of possessing 90 pounds of cocaine and was about to be sentenced to prison."

"There are still people who believe in Jim Jones," narrator Leonard Nimoy said at the close of *In Search of Jim Jones*. "Some of them still sleep with Jones' picture."

One of John Judges most important sources, Michael Meiers made a thorough study of Jonestown and wrote a book entitled *Was Jonestown A CIA Medical Experiment? A review of the Evidence*.<sup>217</sup> His conclusions are worth repeating:

...While living in Brazil, Jones receive his life assignment with the CIA's... MK ULTLRA program... By the time Jones was brought into the program, MK ULTRA was fifteen years old and many of the laboratories had since filed their final reports with the agency before disbanding. The experiments, conducted in university research departments, mental hospitals, and prison medical clinics represented the most authoritative source of information on their assigned subjects within the limits of a laboratory environment. The agency compiled a library containing data that needed to be collated

---

<sup>216</sup> Silverman, Art. Op Cit.

<sup>217</sup> Michael Meiers, *Was Jonestown A CIA Medical Experiment? A Review of the Evidence*, Studies in American Religion, Vol. 35, The Edwin Mellen Press, POB 450, Lewiston, New York/ 14092

into a comprehensive science of behavior modification. The task was assigned to Jim Jones, who would require another fifteen years to complete his findings in a major field test known as Jonestown...

Of course as we've noted in this work, there was a lot of redundancy in the programs. Jones, no doubt knew nothing of the other programs going on at the same time. While he is reported using some of the so-called Monarch techniques ( researcher's have raised enough evidence to suspect that Bonnie Malmin/Burnham/Thielmann,<sup>218</sup> "the blonde bomber" may have been a Monarch "model"), it would appear that his focus was on mass control largely through drugs.

...While in Rio, Jones was briefed on MK Ultra and took advantage of the locale to study voodoo and the African religion, Macumba, as well as the faith-healing preacher, David Martins de Miranda, who exhibited extraordinary control over his followers who referred to their leader as "The Envoy of the Messiah." This modern-day John the Baptist imparted much of his knowledge to the aspiring Jim Jones.

A lot happened in 1963. In October Britain suspended the constitution of Guyana and the leftist government fell. In November President Kennedy was assassinated, and in December the first of several military coups destroyed any hold the Communists had on the Brazilian government.

... (In) 1963, Truman and many others recognized that the executive branch of government was no longer in control of the agency but no one questioned who was in control. Everyone assumed that the CIA had gone its separate way under its own power. No one could see that the Nazis who helped establish the agency had used the need to know security system to continue the Third Reich in the United States under the impenetrable cloak of national security.

The Nazis hiding in the CIA were relatively quiet for the first few years after World War II that it required to convince the American public that their true enemy was not fascism but communism. The success of the McCarthy Era propaganda campaign in the early 1950's marked a distinct change in U.S. intelligence. No longer satisfied with merely gathering information about world events, as was their chartered function, the CIA began to create events that shaped history.

With the formation of the National Security Agency in 1952, the CIA was relieved of most of the responsibility for gathering intelligence but even though it had outlived its original function, the agency

---

<sup>218</sup> Bonnie Thielmann. *The Broken God*. David C. Cook, Co., Elgin, Illinois, 1979.

continued to grow in personnel and budget. They were left with little more to do that play "what if" games; speculative contingency planning like, "Is there a pharmaceutical solution to the growing unrest among Blacks and Native Americans?" The experiment in Jonestown was conceived from just such speculation.

Jim Jones worked for the CIA but that does not exclude the distinct possibility that he only worked through the agency for his true employer, the Nazis. As a youngster he studied the Nazis, later he would employ Nazis in his Peoples Temple that was structured along fascist lines. When the FBI searched Jones' San Francisco office after the massacre they found that half the books in his personal library were about behavior modification and the other half were about Nazi Germany. The odyssey that ended in Jonestown, began some fifteen years earlier in Brazil when Jones received his life assignment, presumably but not necessarily, from his CIA employer...

...Until 1983, the chief Nazi-hunter in the U.S. government was Allen Ryan, but, by this third year of the Reagan administration, most attempts to identify Nazis in government (and particularly in the CIA) were circumvented by President Reagan and Vice President Bush ( a former director of the CIA). Reagan gave the agency sweeping new powers to spy on American citizens at home, operate domestic front companies and prosecute anyone who identified Agency personnel. He increased their budget and approved construction of a new wing on their headquarters. The recent growth of the CIA is indicative of a fascist, right wing wave that is presently rampant in the United States...

Where is the accountability of our government? Itemized accounting shows that Jones received millions of dollars from the federal government which he used to finance the experiment in Jonestown. Even the tractor that transported the assassins to the site of congressman Ryan's murder was "U.S. government surplus." Meiers asks:

Had Jones only mastered the system and taken advantage of its bureaucratic inefficiencies, or did he have inside help?

As we have heard from the Monarch survivors, sex was used by the cryptocrats to blackmail and reward politicians. Meiers notes this also was the pattern in the People's Temple:

Sex was also used to reward and blackmail politicians both in California and later in Guyana where Jones would provide a number of Temple women to government officials who were then shown

photographs of their encounter and be reminded that if they refused to cooperate with the Temple their public careers would be ruined...

And from looking at some of Jones' practices we might assume that we might find them in use by the cryptocracy. Meiers says that Jones required his closest trustees to sign a "self-confession statement" as a test of "loyalty:"

The three basic confessions, dictated by Jones and signed by the member, attested to child molestation, homosexual acts or conspiracy to assassinate public officials. It wasn't long before the signer realized his confession might be used to blackmail him into Jones' service. This fear helped to blind the subject to the true danger, the "sheet of paper." Jones required his top aides to sign the lower right-hand corner of a blank sheet of paper. It appeared harmless enough in comparison with the self-confession letter, but it was deadly...

The blackmailed aides would become the Temple hierarchy, the ruling elite and, for the most part, the only survivors of the massacre in Jonestown.

Meiers does as one is wont to do, sound the alarm -- our freedoms are endangered:

For our democracy to survive into the 21st century, Americans need to understand that their lives and freedom are in danger from an enemy that most believe was defeated over forty years ago. We are now only fifty years into Himmler's plan to purify the race of man in the first one hundred twenty-five years of the Thousand Year Reich. It would seem that the plan is still on schedule. Fifty years ago, the Nazis had to manually identify homosexuals and drug addicts, transport them to the death camps that they had to build, pay for the guards, the cyanide, and the disposal of the corpses, all under public scrutiny and the chance that eventually they would have to answer for their genocidal crimes...

...The Himmlers, Mengeles, Laytons, and Joneses of this world have planned a "war" very different from the nuclear demise that most envision but nonetheless devastating. Just as the Crystal Night began the first Holocaust and the second World War, so too the White Night began the second holocaust and your future. It is very important. Millions of lives are in the balance.

Meiers presents an annotated bibliography of over 30 books written about Jonestown. "Some are government propaganda," Meiers writes, "others are a defense of the author's or the church's involvement with Jim Jones." He traces

the media propaganda and the cover-up that ensued in the aftermath of Jonestown:

... the most interesting aspect of the *New York Times'* treatment of the Jonestown subject is not the contributors or distortions but, oddly, the placement of the articles in their newspaper. Most are adjacent to the articles on the CIA and the Nazis. A prime example is the December 4, 1980 edition which included the CIA's ultimate defense. The article, entitled "House Committee Clears CIA of Role in People's Temple Cult" reported,

The House Intelligence Committee has found "no evidence at all" that the Central Intelligence Agency was involved with the People's Temple commune in Guyana before the mass murders and suicides there in November 1978.

The House Intelligence Committee was responding to Congressman Ryan's staff and others close enough to the story to at least suspect that the CIA sponsored the experiment. Their "no evidence at all" statement was one of the most blatant lies in the post-Jonestown propaganda campaign.

Adjacent to that story, the *Times* printed an article entitled, "CIA Linked to Mind-Control Drug Experiments." Citing documents released a day earlier under the Freedom of Information Act, the story outlined how the CIA had conducted a mind-control experiment on eight Black inmates at the Federal Addiction Research Center in Lexington, Kentucky back in 1963. Previously released documents detailed the CIA's mind-control experiments with LSD at that same facility but these later experiments used a mysterious hallucinogenic called BZ that "is a very long lasting drug which causes marked changes in mental functioning." According to the article, "The Army had a similar program," (presumably within the Army's Chemical Warfare Division under the direction of Dr. Laurence Layton).

It was more than just a coincidence that the CIA would be absolved of any wrongdoing in the Jonestown affair on the same day that they released documents incriminating themselves in a smaller scale experiment. The uncanny timing suggests that the agency's M K ULTRA division was plea-bargaining. Cleared of the major crime, they admitted to a lesser one. An overall study of the *Times'* habit of placing articles on Jonestown adjacent to articles on the CIA and the Nazis raises questions as to their motives. Perhaps they simply recognized that these three seemingly unrelated subjects would interest the same type of reader but there is a strong chance that the *New York Times* recognized the truth about Jonestown but were



either afraid to print it or censored from doing so. By placing articles on these three subjects together, they implied a connection to the amazement of conspiracy researchers and, no doubt, the irritation of the CIA.

Perhaps we do have *The New York Times* editors to thank for their attempt to say what they were not allowed to say outright. There had been a concerned attempt, Meiers concludes, to suppress information, stifle investigations, censor writers and manipulate public opinion.

...The propaganda campaign that assaulted society following the experiment in Jonestown is extremely complex and, in many ways, more difficult to comprehend than the experiment itself. The story is full of agents and counteragents, provocateurs and informants of dubious intention. Some worked for Jim Jones or the CIA, others for themselves as a self-defense of their personal involvement with the Peoples Temple. Those few who worked for the truth were too often misled by their sources. The only conclusion that can be reached with any certainty is that the group of people who helped formulate the public's opinion of the White Night was comprised of various villains and victims.

Meiers' most startling revelation is that Jones and those closest to him escaped after the massacre into Venezuela:

The Reverend Jim Jones is alive, wealthy, secure and conceivably sipping pina coladas on the veranda as he reads this first published account of his escape from the carnage he created in Jonestown.

It was reported by a number of his followers that Jones had several doubles. Meiers believes the body which was supposed to be Jones' was a double.

In the aftermath of the massacre, a corpse was discovered in front of the throne among the nine hundred others in and around the pavilion. It was tentatively identified as Jim Jones. Unlike most of the other victims, the body had not been poisoned but shot once behind the left ear. It was presumed that he had been murdered by a disenchanting follower as the gun was found some thirty yards away but this will never be established for certain because nitrate and neutron activation tests were not performed to determine if there were traces of gunpowder on Jones' hands. Such tests are standard procedure in deaths where there is a question as to murder or suicide...

The corpse, identified as Jim Jones, was allowed to rot in the jungle heat for four days before it was removed. No attempt was made to preserve the remains. The body was not refrigerated (not even in the temporary morgue set up at the Georgetown airport). This may be due in part to the U.S. State Department's original plan to bury all the dead in a mass grave in Jonestown, without identification or autopsy...

...The FBI was not positive that the body was Jim Jones, only that the body was the same man arrested as Jim Jones five years earlier. There were no other records of Jones' prints. The authenticity of the LAPD files was never questioned and the case was mistakenly closed...

Meiers says that the CIA is not responsible for the Jonestown atrocity, but they are accountable for it. He states the obvious, that any government or agency is only as good or as bad as the people it employs. And he laments the lack of chain of command in the CIA which is not typical of say, military organizations. But methinks he lets the CIA off too easy, at least for the murder of Leo Ryan. One of the first things a homicide dick does in a murder investigation is to establish a motive. The CIA certainly had the motive to lure Congressman Ryan to Jonestown and to certain death.

...(Ryan's) interest in the CIA became the dominant factor in Ryan's life in Washington... (his) concern over the CIA's domestic spy operations was legitimate and well founded. It had been reported that there were more intelligence agents illegally operating in Ryan's San Mateo county and the adjacent Santa Clara County than in all other parts of the United States combined; Washington, D.C. included. The area, dubbed Silicon Valley, had evolved to become the center of high technology in the U.S. and boasted the highest concentration of military and industrial secrets in the world...

...Ryan, who was a member of the Government Information and Individual Rights Subcommittee, accurately perceived the CIA's presence in California as a threat to the rights of the citizenry. The main problem was that many CIA operatives were violating the law in the pursuit of their work. Innocent citizens were being hurt in the name of national security, and Ryan was concerned.

Meiers notes that several factors encouraged the CIA to break the laws of California. There were no detailed instructions to operatives, after all, and too much was left up to the discretion of individual agents. Besides, in a compartmentalized agency where the need-to-know applies, the right hand usually does care what the left one is doing.

Many agents believed that their secretive work in U.S. security was above the law and their higher purpose gave them license to break the law. Some thought their work was special, others thought that they were special. This egotistical attitude remains a problem to this day.

Also, there were agents who used their cover and contracts to further criminal activities they would have pursued even if they were not employed by the agency. This group was the inevitable criminal element found everywhere...

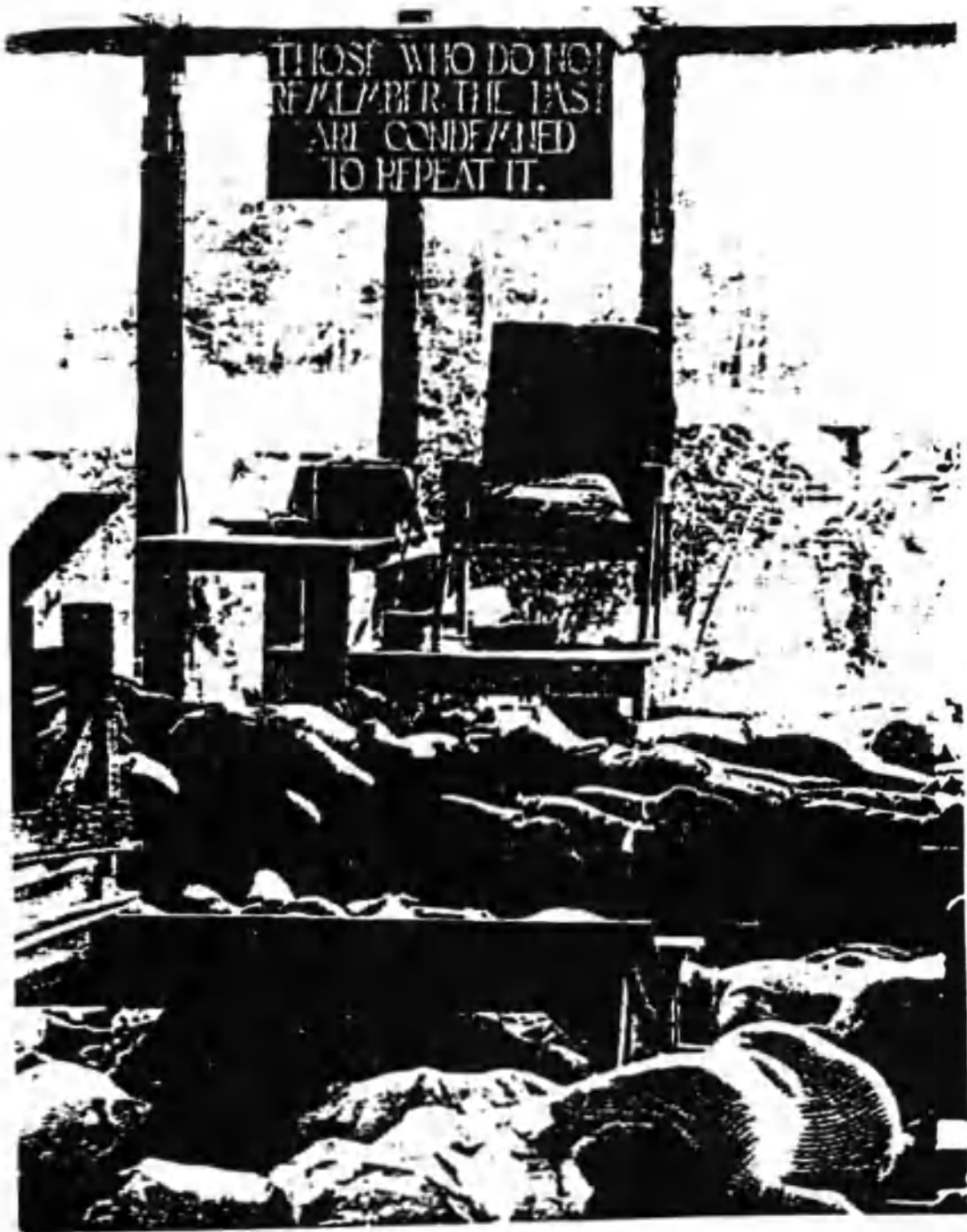
In 1994, one of our sources reported that organized crime was giving large sums of money to help undermine the CIA which "has taken over drugs, prostitution, pornography, and the slave trade." According to this Don, "Now, we work for them, and we don't like it. There's no honor among them."

If Congressman Leo Ryan had lived, things today would have been different. Almost as soon as he got to Washington Ryan authored the Hughes-Ryan Amendment to the National Assistance Act. It would be the only piece of legislation he would introduce in his six years in Congress. It transferred responsibility for overseeing the CIA from the Armed Forces Committee, which too often turned a blind eye to the agency's activities, to the International Relations Committee of both houses of Congress. The CIA fought the Act mightily and would have succeeded in squelching it had it not been for Ryan's impeccable timing -- Ryan introduced the bill at the height of the Watergate scandal.

The Hughes-Ryan Amendment passed into law, earning Leo Ryan two distinctions; a seat on the International Relations CIA Oversight Committee and a very prominent position on the CIA's list of enemies..

Ryan's new legislation required the agency to account for all the money it spent for covert operations *after* congressional approval. It was as part of his work on the Committee that Ryan discovered evidence to support the contention that the CIA had sponsored several cults that practiced mind control. He was quoted as saying, "Well, *something* has to be done about those people."

Instead, they did *something* about Congressman Ryan.



## 33

### THE FIRE IN WACO

Perhaps not since the *Reichstag* fire in Nazi Germany have flames leaped so visibly onto the pages of history. The flames in both Waco and the Reichstag fires were fueled by mind control. At least that's the impression you get when you read attorney Paul D. Wilcher's letter to Attorney General Janet Reno.

Dated May 21st, 1993 the letter begins with no salutation, the phone numbers of Ms. Reno, Justice Department Communications Director Carl Stern, Appointments Secretary Melilssa Muller, Assistant Attorney General Richard Scruggs, and James Kramarsic, Special Ops — CIA. With a typical lawyerly lack of style the letter begins:

RE: (1) Vital NEW information concerning the conflagration at David Koresh's Branch Davidian compound, "Ranch Apocalypse," outside Waco, Texas, on Monday, April 19th, 1993, which is now being kept from you and covered up — i.e., that what happened was NOT a "mass suicide," but rather a MASS MURDER.

(2) The meaning and significance of this NEW information — particularly with respect to the Justice Department's ongoing Waco investigation, and future indictments and prosecutions — i.e., you are headed totally in the *WRONG* direction (*italics are shown as underlinings in the letter*) — because Bush Administration holdovers in the Justice Department, along with others tied to the CIA, are preventing you from ever learning the truth about what actually happened in Waco;

(3) The extreme sensitivity of this information, and my specific proposal as to how you should handle it. *The lives of key participants, other witnesses, and even myself are now in grave danger as a result of my passing this information on to you. If you let this information fall*

*into the hands of the wrong persons, some or all of those who know the truth about Waco and are now prepared to come forward and testify could well be "silenced" (i.e., MURDERED in the very near futur).*

*(4) And the extreme importance of this information to the overall quality of justice under the Clinton Administration, to your own place in history as Attorney General, and to President Clinton's very life and personal safety. This information, if handled in the manner I have spelled out in detail below, presents you and President Clinton with a once-in-a-lifetime opportunity to expose, confront, and hopefully root out much of the system-wide corruption which has been at the core of the federal government for at least the past 30 years.*

The letter then reads: "DEAR ATTORNEY GENERAL RENO" in caps.

The purpose of this letter... is for me to deliver to you extremely sensitive information about the deaths of the 86 men, women, and children who perished at the Branch Davidian compound on Monday, April 19th, 1993, and the truth about how it all happened.

But even more important, my purpose here is to demonstrate how the Waco tragedy fits into a much bigger (and far uglier) picture, and to present my specific, detailed plan as to how you should attack the overall problem at its root causes.

The plan I am offering here is not at all what you might expect, at first glance, for it is far more comprehensive, and deals with far deeper root causes than you have thus far been made aware of (sic). Indeed, although you may not realize it, you are still surrounded in the Justice Department, the FBI, the BATF and elsewhere throughout the government by Reagan-Bush holdovers many of whom are determined that you will NEVER learn about the core issues and ugly truths which I have laid out for you here in some detail..."

Full of hope, and apparently not knowing Janet Reno, Wilcher expressed his optimism that Ms. Reno would use her good office to "attack the system-wide corruption which has been at the core of the federal government for at least the past 30 years, and to bring about the most fundamental and far-reaching changes, in terms of restoring basic honesty and integrity, which have occurred in our national government for at least the past generation."

Wilcher then launched into a long section entitled *WHAT IS THE RIGHT THING TO DO?* The prose is filled with citations of law and excerpts from Reno's own rhetoric. Especially noteworthy is where Wilcher quotes Reno saying:

"...sometimes doing the right thing is very politically unpopular, Sometimes it

will be painful, for it will, of necessity, hurt someone. But with strength and courage, let us face that question unafraid, and together seek justice for all."

The subject of mind control is introduced on page four when Wilcher writes: "David Koresh had an extensive CIA background... he was known in CIA circles as a "sleeper" — someone who had been subjected to extensive CIA "mind control" training and programming..."

Wilcher said that it was not a coincidence that all these events were occurring in or near Waco, Texas — "since Waco is a major center for such CIA "mind control" experimentation and programming — with much of this activity occurring at the *CIA's Leadership Management Institute* in Waco." Wilcher pointed out that "similar CIA-sponsored "cults" are located across the country including in such places as Salt Lake City, Utah; Provo, Utah; Logan, Utah; Boise, Idaho; and San Francisco, California," and that one or all of these other "cults can likewise 'explode' onto the front pages of the press at any time the CIA deems appropriate, in order to accomplish its pre-determined, hidden, right-wing political agenda."

Wilcher indicated to Reno that he knew who had committed the murders, who had ordered them, and who had been part of the chain of command. He then lapsed into more recitation of Disciplinary Rules and Codes of Professional Responsibility from the American Bar Foundation all of which had bearing on ethical considerations for Reno. In fact he was outlining for Reno reasons why she must begin to weed her own garden in the Justice Department as well as within the Federal Bureau of Investigation and the Bureau of Alcohol Tobacco and Firearms (BATF).

Thoroughly covering the details of the lies told by government employees at Waco, Wilcher wrapped up the motivational part of his argument and launched into a background briefing on events leading to the February 28th BATF raid on the Davidian compound:

- 1) To begin with, Vernon Wayne Howell, also known as David Koresh, had connections to the Central Intelligence Agency (CIA).
- 2) Indeed, he and six (6) of the men in his inner circle were known among CIA covert operatives as "sleepers" — persons whom the Agency had performed mind control experiments on, and who had been preprogrammed to carry out specific pieces of CIA "dirty business" at some point in the future, once a specific cue or signal was given to them by their contact persons or "handlers" within the Agency.
- 3) Third, *David Koresh was very much like the Reverend Jim Jones, in that he, too, was 'a gangster who used a Bible instead of a gun...'*

In a Note, Wilcher remarked: "Jonestown was NOT a mass suicide, any more than Waco was. Instead, *Jonestown*, like Waco, *was a mass murder* — in order to guarantee that there would be NO survivors to tell about the CIA's extensive mind control experiments which had been performed on those mostly-black victims in Guyana.

The letter resumed:

4) Fourth, *David Koresh was also very much like Charlie Manson*, in that he, Jones, and Manson all demanded and received total domination over, and total submission from, all of the men, women, and children in his group.

5) And *like the Reverend Jim Jones and Charlie Manson, David Koresh likewise had received much of his mind control training at the hands of the CIA*, and was a product of their system.

6) In other words, David Koresh may have been what most people would consider a thoroughly disgusting, and mentally disturbed, megalomaniac. *But he was the CIA's megalomaniac* — or at least someone they were all too happy to use for their devious right-wing purposes if and when the opportunity ever presented itself.

7) Indeed, David Koresh and these six (6) other men in his inner circle had apparently been pre-programmed by the CIA to become, on cue, '*Manchurian-Candidate-type*' robot assassins.

Here Wilcher inserted another note:

This is one of the most crucially important pieces of information concerning this entire scenario. *Koresh and his six (6) fellow 'sleepers' were apparently pre-programmed by the CIA to become 'wind up, use once, then throw away' robot-type assassins — much like:*

(a) *Sirhan B. Sirhan*, the man used as the CIA 'patsy' in the assassination of *Senator Robert Kennedy* on June 5th 1968...

(b) *David Hinckley*, the man used as the CIA 'patsy' in the attempted assassination of *President Ronald Reagan* on March 31, 1981...

8) The CIA has apparently been able to produce '*Manchurian-Candidate-type*' robot assassins ever since the late 1940's, using methods reminiscent of the 'brain washing' we have all heard about in Soviet (and American) prisoner of war camps and prisons — as well as far more sophisticated and sinister techniques which have been developed and perfected over the intervening years.

9) One of the most important features of this kind of mind control programming of 'brain washing' is the fact that critical segments of



the subject's memory — including most or all of the programming experience itself — are erased (or at least suppressed and deeply buried), with new false 'memories' implanted into the subjects unconscious mind in their place. Indeed, all of this mind, behavior, and memory alteration is done at the subconscious or unconscious level.

Indeed, once the CIA's programming has been completed, memory blocks are installed into the subject's subconscious mind to make it next-to-impossible for him ever to recover these critical mind- and behavior-altering experiences from his internal memory bank.

Therefore, since he is unable to remember what was done to him — or when, where, how, or under what circumstances it happened — he is also virtually helpless to confront and overcome what his CIA programmers have done to him. he is thus at their 'mercy' from then on — though, of course, they have *NO* mercy.

10) Then, at some time in the future, upon being given a specific secret signal — known in advance only to his CIA 'handlers' and his subconscious mind, and which to any untrained person (such as a husband, wife, coworker, etc.) would be overlooked as being totally innocuous — he will automatically revert back to carrying out whatever behavior he has been pre-programmed to perform on cue — nearly always some violent or criminal act against a person or group the CIA has targeted for destruction. At least, that's how such mind control programming is supposed to work.

11) It is also important to note that such mind control programming generally includes one or more pre-programmed 'self-destruct' responses, so that the subject can be ordered by his handlers to commit 'suicide' — again, as a kind of mindless, trance-like, robotic response which he would not even be *consciously* aware he was being ordered to do, or that he was actually carrying out, until it was too late to save him — if and when his handlers ever deem it necessary for him *NOT* to be available for questioning by persons who might be able to uncover the truth about his secret programming and/or what tasks he had been pre-programmed to perform in his trance-like robotic state.

These 'self-destruct' responses would typically be triggered by the subject's handlers once he had successfully performed his preassigned mission, or once that mission had been called off or altered — or under any other scenario under which he would no longer be of any value to the Agency — as a way of protecting his handlers, and the Agency itself, from any exposure, liability or accountability — under what is called 'plausible deniability.'

David Koresh's psychological profile, however, showed him *NOT* to be a person ever likely to commit suicide.

Wilcher went on to cover the programming of Candy Jones and the death of George DeMohrenschildt, much as it has been covered in this book before. He also devotes a number of pages to the CIA's use of D.C. Police and U.S. Park Service Officers to cover what Wilcher says were CIA covert operations in which six black men were murdered in Pershing Park, two blocks from the White House. These pages are all worth reading, but due to space considerations I have deleted them. We pick up the letter again after that:

16) *Mind Control and Memory Blocks to Ease the Consciences of the CIA's PROFESSIONAL killers:*

Thus far, we have been discussing mind control and memory blocks in the context of the CIA's '*Manchurian- Candidate-type*' robot assassins — those low-level individuals — like Sirhan Sirhan, David Hinckley, Mark David Chapman (who assassinated the Beatles' lead singer/songwriter John Lennon), and the six (6) Black men murdered in Pershing Park — persons who are programmed by the Agency to be used only once then 'thrown away' and discarded — i.e., persons who are destined either to be killed or imprisoned for the rest of their lives, once they have performed their pre-ordained secret mission.

In other words, these low-level individuals are highly expendable — particularly when getting rid of them will preserve the '*plausible deniability*' that the Agency had anything to do with their training, conduct, or activities.

In the context of these low-level individuals, the mind control programming we have been discussing is used not only to condition the desired robotic response to a pre-ordained secret signal, but also to prevent the subject from remembering anything to do with their training, conduct, or activities.

In the context of these low-level individuals, the mind control programming we have been discussing is used not only to condition the desired robotic response to a pre-ordained secret signal, but also to prevent the subject from remembering anything about the conditioning and programming experience, so that he is virtually helpless to counteract or overcome it — without many years of deep hypnosis and therapy — as in the case of Candy Jones...

There is, however, a totally different category of covert operatives employed by the CIA — *the real PROFESSIONAL killers* — who are used for multiple high-level, top secret missions, over an entire lifetime. These top-level 'black' operatives are generally men of extraordinary intelligence, education, talent, training, and experience,

*and it is into their hands that most of the real 'dirty work' of the Agency — including top-level assassinations — is entrusted.*

For example, the Agency will use a low-level programmed robot — like a Sirhan Sirhan or a David Hinckley — to be the 'patsy' for a top-level assassination, or assassination attempt (like the murder and attempted murder of Senator Robert Kennedy and President Reagan, respectively). But they rarely entrust the task of actually pulling the trigger in such a high-profile case to such a low-level 'cut-out.'

Instead, the real work in such top-level assassinations is carried out *only* by the Agency's true PROFESSIONAL killers — persons who are NOT used just once and then discarded, but who, instead, are used over and over again, year in and year out, for nearly all of the Agency's most secret and sensitive 'dirty work.'

'Wet' Ops: Such 'dirty work' is generally referred to, among 'black' operatives within the Agency, as 'wet' operations — operations where one or more persons are to be killed, where human blood is to be spilled.

#### ***"DEBRIEFINGS AFTER CIA 'WET' OPERATIONS***

The normal procedure is that after each 'black' or 'wet' operation, all persons participating in or connected with the operation are totally debriefed by a special debriefing team sent from Agency headquarters — including a psychiatrist skilled in the various mind control and memory block techniques we have been discussing.

In this debriefing, each member of the 'wet' team is required to recite to the debriefing team exactly what happened during the operation, in a precise, step-by-step, detailed manner. Each member's recitation is generally repeated several times — once normally, once under hypnosis, once with a polygraph, and once under scopolamine — and only when the debriefers are fully satisfied that they have gotten ALL the details and that there are no glaring inconsistencies between these different recitations, is the debriefing brought to a close.

Part of the reason for this debriefing process is to provide detailed records and feedback to the Agency concerning all of these top-level 'black' and 'wet' operations — i.e., Precisely what was done? Was the operation a 'success'? Did it go off as planned? What mistakes, if any, were made? And what improvements can be made so that on succeeding operations, the task at hand can be accomplished even more professionally and expeditiously.

Wilcher inserts another note stating that his point cannot be overstated:

...this means that deep within the bowels of the Central Intelligence Agency — if you only know where to look — you can find the detailed debriefing records on all of the 'black' and 'wet' operations carried out by the CIA over the past 30 years or so.

*You should subpoena these records immediately, Attorney General Reno. And once you get them — IF you ever get them — you should put them under the tightest security imaginable to protect them from being tampered with or destroyed."*

It's hard to believe that someone who could write a letter which contains the information this one does would be so naive as to not understand how successful the cryptocracy has been under the National Security Act. Wilcher appeared ignorant of the extent of the cryptocracy's indoctrination. It has gotten virtually everyone in Congress and the Judicial and the executive to support it so that it can hide behind the tacit agreement among politicians that the security of this nation does not lie with the people, but with a secret government.

Summing up his comments on the "wet" debriefing process, Wilcher wrote:

Then, at the conclusion of the debriefing, once the debriefers are confident they have gotten *ALL* of the factual details, each operative is put under deep hypnosis, and the psychiatrist in the team implants *memory blocks* into his subconscious memory:

(a) first, to make it far more difficult for him to remember what he and his other 'wet' team members did during the operation — i.e., to block many of the gorey details as to precisely how each of the persons targeted for 'elimination' was 'taken out' (i.e., murdered) — so that he will be less likely to be troubled by recurring nightmares concerning what he and his team members have just done; and

(b) second, to alleviate the guilt which would otherwise be associated with these memories, and to allow him to justify in his mind, to the extent he is able to remember what happened, that what he and his fellow team members did was 'praise-worthy' rather than highly criminal — i.e., that the person or persons they murdered were a 'menace' to society and deserve to die, and that he was doing this country a valuable service by eliminating these 'targets' from society.

Of course, these memories of what he and his fellows have done on these various 'wet' operations are never completely erased, and can, with work, be fully recovered (barring physical damage to the brain). But at least these mental blocks make it easier for the operative to live with himself and his conscience, and help to keep these vivid

and gorey images from flooding into his consciousness, and becoming obsessive thoughts and recurring nightmares.

These memory blocks are also a way for the operative to justify his having acted as the targets' accuser, prosecutor, judge, jury, and executioner — all in one fell swoop, without the target's having been given the benefit of ANY due process whatsoever — i.e., NO notice, NO hearing, NO right to confront and cross-examine his accusers, NO right to put on a defense, NO right to testify personally or call witnesses in his behalf, and NO right to be tried before an honest judge and a jury of his peers, according to the laws and the Constitution of the United States.

These memory blocks thus help the operative to suppress all these troubling thoughts which might otherwise disturb his waking hours or his restful sleep — thoughts which might otherwise force him to re-examine his calling as one of the CIA's top professional killers, and to consider seriously whether he ought to pursue some other line of work.

In discussing the pros and cons of “wet” operations, Wilcher revealed the extent to which he, himself, had bought into the “myth of National Security.” He said that there may be some argument in favor of such ‘wet’ operations to take out foreign agents. Overlooking the glaring historical reality that whenever a “good” civilization employed ruthless and immoral tactics of an “evil” enemy civilization to fight it, those tactics eventually came to be applied at home against the people, and the “good” nation became as “evil” as the one it was fighting. Islam teaches that the greatest war is always the war one fights within. The result of sinking to the level of the enemy has always been, both in the sphere of geopolitics as well as in the singular life of an individual, self defeat. Or as Pogo said, “I have seen the enemy and the enemy is us.”

Wilcher did argue, however, that he could see no excuse for using “wet” operations to take out innocent American men, women and children such as the 85 who were killed at the Branch Davidian compound.

Returning to the letter at point 17, Wilcher wrote:

The point to be made here is that *David Koresh and his 6 fellow 'sleepers' were low-level 'Machurian-Candidate-type' programmed robot assassins — who were scheduled to be used at some point in the future, but who had NOT been used for their pre-ordained secret missions —*

*Note Well: whereas the 'wet' team that went in to 'take them out' were some of the CIA's top professional killers.*

The term 'sleeper' in this context connotes:

(a) that the mind control programming which had been done on Koresh and his inner circle had probably been done a number of years earlier;

(b) that the secret instructions implanted deep into their subconscious memories had lain dormant over the intervening years;

(c) that the CIA now had to arouse Koresh and the other 6 from their 'sleep' — i.e., to reactivate the secret conditioned responses implanted into their subconscious memories — in order to get them to perform their pre-ordained secret missions on cue, wherever the CIA deemed it appropriate; and

(d) that the CIA could also activate the secret 'self-destruct' signal, discussed on pages 20 to 22 above, to cause the robotic 'suicides' of Koresh and his inner circle, one they had been (sic) performed their secret mission, or at any other time the CIA decided they were no longer of any use to the Agency.

Wilcher then went on to discuss Koresh's enormous stockpile of weapons, saying that he believes the arms were accumulated with the apparent knowledge and consent of the CIA over a period of several years. Wilcher believed that Koresh had acquired the arsenal for a specific purpose which was not just self defense, but rather for the purpose of carrying out whatever secret assignments they were to be given by their CIA 'handlers.'

He said the reason Koresh was so skilled in controlling his followers was that he and the other five "sleeper agents" in his inner circle had been through such intensive and total mind control programming themselves. It is not clear whether he presumes they had been totally or partially deprogrammed along the way so that they could remember their programming codes, cues and triggers. Without them, and without full recall and extensive deprogramming the fact that they had been through such a process would be of no use to their "conscious" minds.

Wilcher says that the reason behind the original raid by the BATF on February 28th was *not* to *surprise* Koresh, or to take him *peacefully*. The purpose was to be as heavy handed, and as *UN*subtle, as possible — so that Koresh and his fellow "sleepers" could not possibly miss the message: "Either shape up and get back into line, or 'take you out' — i.e., 'WE WILL KILL YOU.'

In the letter to Reno, Wilcher said that the message the cryptocracy wanted to give was not for the six "sleepers" within the compound, but to others who might be getting out of line elsewhere:

"Be prepared to carry out the orders we will give you, exactly as you have been pre-programmed to do, or you and all your loved ones will have hell to pay for your disobedience."

Wilcher makes note of what others were also to independently note, that in the ensuing siege of the Branch Davidian compound there were certain BATF agents who were targeted to be killed. Linda Thompson's video of the Waco siege shows four ATF agents being killed by a fifth agent after they've crawled into a window from the roof.

Wilcher told Reno that Waco was an important tool of a psyops campaign waged against the American people. "The bottom line here," he said, "is that this propaganda we were being fed by the CIA was to *pave the way for a general acceptance of the imposition of martial law* when situations like this 'get out of hand' which is the way the CIA wants us to view its 51-day siege of the Branch Davidian compound in Waco."

Maintaining that the main purpose of the Waco attack by the BATF was "to control the subconscious minds and wills of Koresh and his followers", Wilcher told Reno that a variety of technologies were used over the entire 51-day siege following the initial February 28th raid. The news reported some of the psyops aspects of the siege accurately. They made no secret that the FBI was shining high-powered spotlights onto the compound at night and bombarding it with various kinds of sounds like "acid rock music, Tibetan chants, Christmas songs" and so forth. It was obviously meant to annoy and deprive the people inside the compound of sleep. The news accounts quoted the FBI spokesmen as saying that if the sounds worked the inhabitants of Apocalypse Ranch would become more pliable to the FBI's demands to surrender peacefully and there would be no loss of life. Wilcher told Reno the truth was far different:

...these incessant loud and obnoxious noises... were merely the cover ... for what was really bombarding the compound and its occupants — *20 gigahertz microwave transmissions*, designed to be as stressful and destructive to the human physiology, inner ear, psyche, and mental stability as possible.

In short, the CIA has perfected the use of such high-intensity microwave transmissions on human subjects to such an extent they are absolutely certain that over time, *such transmissions are beyond the ability of most human beings to endure*, and that sooner or later, *they will drive any normal person crazy — literally — or provoke him or her to suicide or murder.*

One example of the CIA's use of the high-intensity microwave transmissions on a human subject occurred during the U.S. invasion of Panama, when General Manuel Noriega fled to the Vatican Embassy for sanctuary. What the press reported was that the military bombarded the Vatican Embassy with very loud acid rock "music." What they didn't tell us was that ... 'music' was, again, only the mask to cover what was really being beamed at General Noriega — these

same density microwave transmissions (are) known to be beyond the limits of most human beings to endure — at least over any extended period of time.

"And remember," Wilcher wrote, "that at the Branch Davidian compound, these high-intensity microwave transmissions continued, almost without interruption, day and night, throughout the entire length of the 51-day siege — and that *there were more than 20 children in the compound all this time!*

*"No wonder you were concerned about the gross mistreatment of these children, Attorney General Reno!"* Wilcher wrote. "But what the Reagan and Bush holdovers in the Justice Department, FBI, and BATF failed to tell you was that *it was our own FBI and CIA who were responsible for mistreating these children — through these high-intensity microwave transmissions bombarding the compound for 51 days!*"

Apparently what no one told Wilcher was, with the cryptocracy in control of the public consciousness there is nothing but "holdovers" from one administration to another. In fact, it doesn't matter whether a Democrat or a Republican is in the White House. Whoever is there, occupies it with the consent of the cryptocracy. This goes for appointees as well, Janet Reno included.

"Also included in these bombarding transmissions," Wilcher wrote, "were Nero-Linguistic Programming (NLP) and other subliminal messages designed to reach the subconscious minds of Koresh and his 6 fellow 'sleepers,' in order to reassert the CIA's mind control over them, and to make them more pliant and obedient to the CIA's commands and domination..."

(The reader is advised to obtain Genie Laborde's landmark book on NLP entitled *Influencing With Integrity*, by Syntony Press, or any of Anthony Robbins works to gain a balanced view of this emerging science.)

Wilcher's letter to Reno maintains that the original plan behind the siege of Koresh's compound (which we assume he got from his informants who were ready to come forward) was to have "*The Delta Force*" make a night raid on the compound. *The Delta Force* is no secret. It is an elite commando style military unit composed of specially trained members of the Army, Navy, Air Force, and Marines, operating under the command of the Joint Chiefs of Staff and the CIA. Delta was to apply the elements of surprise and lightning-quick speed for which they are especially trained, to bring everyone out alive except for David Koresh and his six fellow "CIA sleepers."

*"Those seven men,"* Wilcher wrote Reno, *"were to be killed — no questions asked — period."*



"You have reported to the nation, Attorney General Reno," Wilcher reminded her, "that you met with President Clinton on Sunday, April 18th, and that after outlining the plan you had given to him, and going over it in some detail, he told you to go ahead — *IF YOU THOUGHT THIS WAS THE RIGHT THING TO DO.* (Wilcher's caps.)

You have also reported to the nation that having given the ultimate go ahead for the plan, you (and President Clinton) are the ones ultimately responsible for what happened in Waco on Monday, April 19th, 1993.

That, however, is simply *NOT* true, Attorney General Reno. What happened in Waco is *NOT* your fault. Nor is it President Clinton's fault. For, the Reagan and Bush holdovers at the Justice Department, the FBI, the BATF, and the CIA, etc., who carefully planned and orchestrated this disaster, never informed you as to what their secret right-wing political agenda was in all this. Therefore, neither you nor President Clinton had any idea what had actually been planned for this operation in Waco — much less any hint of the secret agenda which was to be served by this mass murder and cover up to protect the criminal machinations of the CIA.

Here, we think, Wilcher was wrong again in his assumption that the occupants of the oval office and their appointees are not part of the cryptocracy (until the National Security Act is repealed and the cryptocracy weeded out or overthrown).

But to continue with Wilcher's letter in which his "sources" have informed him on the details of events that, if true, only insiders could have known.

On the 18th the Parkland Hospital in Dallas was alerted to be prepared to receive a large number of serious burn victims from Waco the following day.

On the morning of the 19th Delta Force commandos were on alert, ready to carry out the first plan, had it been approved. Wilcher said that this was not just an ordinary Delta team, but a special team of select CIA professional killers trained to accomplish a mass murder so that it could be covered up to look like a Jonestown style mass suicide.

This Delta Force team was composed of 15 men, Wilcher said, headed by a Lieutenant Colonel who was a CIA liaison officer. They flew into Texas on their own C-130 belonging to "*Triangle*". Of the 15 men there were two 4-man teams, the one which actually made the insertion into the compound and a backup team, which apparently was never used. The team wore black, and looked like all the other FBI officers on the ground.

The nation watched on CNN that morning as the M1-A1 tanks punched holes in the exterior walls of the compound's living quarters. What was not visible was the

gas that was pumped into the compound, gas which the press later reported to be tear gas .

This *tear gas*, had been designed to be used for crowd control — i.e., it was so virulent and irritating that even in a fresh air, *out-of-doors* situation, it was guaranteed to cause people to flee from its presence instantly simply in order to be able to breathe...

Now, it was being used in a *closed, indoor, living quarters* situation where 95 men, women, and children were trapped inside. The logical expectation would have been that all 95 of these persons would have fled *out-of-doors instantly*, just to be able to breathe. But strangely, *not a single person came out of the compound — even after this noisome substance had been poured into the compound in enormous quantities over a period of several hours.*

The logical question therefore arises, *Why?* Why did not *ANY* of these 95 men, women, and children — particularly, the women and their children — instantly flee for fresh air into the out of doors?

The answer given by the FBI spokesman and repeated by the newsmedia was that Koresh and his church members had outfitted themselves with gas masks. Wilcher told Reno that the reason the Davidians inside the compound didn't flee was because the tear gas contained a neuro toxin — "*NERVE GAS* — a virulent poisonous substance like *curare* — which *instantly paralyzed* and rendered totally helpless and defenseless all of the 95 men, women, and children inside the compound — except for those 9, later rescued... For all the others, *they could no longer coordinate their muscles in the effort required even just to get up*, much less to flee to the life-sustaining fresh air outside, only a few feet away."

Wilcher inserted a note after this set off, in wider margins. He wrote:

This is an extremely serious matter, Attorney General Reno. For it means that here the U.S. military, the FBI, and the Justice Department -- all directed by the CIA -- used nerve gas on innocent men, women, and children in our civilian population -- and then proceeded to murder them in cold blood, as is set forth in detail below. This clearly rises to the level of War Crimes on a civilian population during peace time, an unspeakable human rights violation.

And it was committed by our "intelligence" community against innocent men, women, and children -- simply to bury the truth concerning the CIA's criminal use of mind control programming to "manufacture" *Manchurian Candidate type robot assassins*, whose very existence is an unspeakable outrage, in and of itself.

According to Wilcher, after the tear gas/nerve gas combination had time to do its paralyzing work on the men, women and children in the compound, a four-man "Delta Force" team, some of the CIA's top professional assassins, made its entry into the compound after they were dropped onto the roof by one of the low-flying, heavily armed military helicopters which hovered overhead most of the day. With TV cameras focused on the tanks, the actual insertion into the building came at approximately 10:25 AM.

Before they entered the compound... this 4-man team of assassins had received shots of *atropine*, the antidote to the nerve gas, so that they, too would NOT be overcome and paralyzed by it.

Wilcher's letter says that the first thing the team did once it was inside the building was to subdue and kill David Koresh by putting a single bullet in the middle of his forehead about an inch above his eyes. The bullet was fired from about four inches away.

Relevant to this claim is an article in *The Washington Post*, on Tuesday, May 18th, 1993. The article quotes forensic pathologist, Dr. Cyril H. Wecht of Pittsburg, who completed an independent autopsy of the bodies of David Koresh and one of his chief lieutenants, Steve Schneider. Wecht said that the gunshot wound in the middle of the forehead which killed Koresh, and the gunshot wound in the back of the head of Schneider, were "not typical of suicide."

Note also that the FBI's psychological profile of Koresh showed him not to be suicidal. Wilcher points out that the FBI (through the CIA) had access to all of the relevant information on him --

-- dating back to, and including, his programming to become one of the CIA's *Manchurian Candidate* type robot assassins. They must have known, even that early on, that the normal "self-destruct" programmed response implanted into the subconscious psyche of most CIA "sleepers" would not work on Koresh.

Consider also the point made by a teenage girl, on the NBC Nightly News, Tuesday, May 4th, 1993, who had been a member of the Branch Davidian cult in Waco until shortly before the April 19th disaster. She stated in this interview that all of the children in the compound were repeatedly girdled by Koresh on precisely how to commit suicide -- either by taking cyanide poison, or by gunshot. But she said Koresh always insisted that you must put the gun *IN YOUR MOUTH* before pulling the trigger. "If you put the gun to your temple, there is always the danger that you might survive (as a vegetable)."

*The New York Times*, May 5th, 1993, reported that two-thirds of the bodies autopsied had bullet wounds in them which examiners said had been inflicted after the date of the initial BATF raid on February 28th. The same article stated that 17 of the children were killed by means of poisonous injections. Wilcher goes on to say:

...Although I have no specific information on that point, all my other information -- including the fact that everyone else in the building, except those 9 who had been targeted to be saved -- were paralyzed by the nerve gas and thus had been rendered incapable of moving at all -- strongly suggests that these children were likewise "taken out" by this CIA "wet" team.

Wilcher went on to say that the fires were fueled by White Phosphorous, one of the most fearsome incendiary devices imaginable, and a favorite of "wet" teams. It ignites instantly, burning immediately with a white hot intensity which consumes everything beyond all recognition, destroying all possible forensic evidence in its path. Wilcher said:

CIA "wet" teams have also been known to corner their intended targets into a closed quarter, and then throw "Willie Peter" (White phosphorous) into their midst, so that these victims were instantly immolated right before the team's eyes. The fire which "Willie Peter" produces is so intense, and the combustion so complete, that victims -- as was the case in Waco -- can only be identified by their dental records...

...while the "wet" team did kill many of those inside the compound prior to setting the fires... they apparently did not murder all of the 86 men, women, and children who ultimately died in the tragedy -- meaning that many of those who died were left paralyzed by the nerve gas, unable to get up or free themselves from this disaster in progress, and were thus consigned to being consumed alive in the giant conflagration brought on by the white phosphorous.

And those consigned to this horrible fiery fate -- being burned alive -- apparently included men, women, and children.

Wilcher inserts another note for emphasis, totalling up the number of men women and children (86) murdered in the compound on that Monday, April 19th, 1993 at the hands of 4 Delta Force members. He naively tries to let Attorney General Reno and President Clinton off the hook saying that other "high ranking officials in our government ... including senior Reagan and Bush Administration holdovers in the Justice Department, the FBI, the BATF, the Pentagon, and the CIA -- all knew in advance" that this Waco operation was designed from the start

to be a mass murder in which only those few individuals whom the CIA had targeted in advance would be saved.

Pointing out the importance of mind control to the cryptocracy Wilcher wrote:

...one of the uses the CIA makes of its mind control sophistication is to implant *memory blocks* into the subconscious memories of its top professional assassins -- in order to allow them to live with what they have done, and not to be overcome by flashbacks and nightmares of their "handiwork."

**NOTE WELL:** I have been informed that those *memory blocks* are **NOT** holding very well in this instance -- and that some or all of the four members of this particular "wet" team are sickened by what they were ordered to do, and what they did, in fact, "accomplish," in Waco on April 19th. To these hardened, seasoned, professional assassins, it was all "too easy." The people inside the compound (as a result of the nerve gas) simply "never had a chance."

It would appear that some of the contacts Wilcher had were among these Delta Force assassins, and twelve others (16 in all) who, were ready to come forward and testify about what happened inside the compound.

Wilcher spoke of a "Shadow Government" which used the CIA to achieve its own ends. He said that it was responsible for the murder of John F. Kennedy and 175 or more key witnesses to his assassination; Dr. Martin Luther King, Jr. and a number of witnesses to his murder; Senator Robert F. Kennedy, and witnesses; Malcolm X, J. Edgar Hoover and his close associate Tolson in the midst of the "Watergate" scandal, Martha Mitchell, Senator John Tower, Senator John Heinz, Congressman Ted Weiss and John Lennon. He also said that the attempt on the life of President Ronald Regan was engineered by this "Shadow Government", of which the identity of leader would be revealed to Reno by the sixteen covert operatives who wished to come forward.

Wilcher went on to say that the "October Surprise" caper was "treason by which George Bush, Ronald Reagan, and a select group of present and former CIA covert operatives rigged, and thus stole, the 1980 U.S. Presidential Election on November 4th, 1980. He claimed 50 or so witnesses were murdered over the years, witnesses "who could have testified as to the truth of what actually happened in the "October Surprise" and Iran -Contra scandals.

He called this "Shadow Government" "the mother of all corruption. "...for the tentacles of this giant *RICO* conspiracy extend all across our nation and reached into all levels and functions of the federal government." He said:

...this "Shadow Government" operates those functions of government which it controls in the same manner that organized crime uses to run its myriad criminal racketeering enterprises.

Indeed, that is the whole point here -- that this "Shadow Government" conducts the business of government, NOT in an open, honest, legitimate, and forthright manner, according to the laws, Constitution, and democratic principles of the United States, but rather in a secret, clandestine, and utterly illegal manner, as if they were running a criminal racketeering enterprise...

He pointed to the "wholesale theft of billions and billions of dollars from the Savings & Loans Associations and banks of this country by the "Intelligence" community, saying that:

-- the proceeds of this massive thievery largely (was) used to fund the illegal "black" operations... (which involved) *illegal gun running* (out of this country), *illegal drug smuggling* (back into this country), and *illegal money laundering* (in both directions) -- all on a massive scale by the "intelligence" community ...

Other than the testimony of Wilcher's client Gunther Russbacher, there is evidence that Koresh was the subject of hypnotic programming and used it himself on members of his church. Among other telltale signs of mind control, Koresh's songs and sermons contained obvious phonetic embeds, like those used in hypnoprogramming.

Phonetic embeds are a linguistic phenomenon where words are embedded inside other words in such a way that no one could deny they are there. Few laymen, however, would admit that these mere words can influence behavior. Professionals however know that, if the subliminal meanings make sense, they can reinforce the surface meanings and produce powerful behavioral effects. As one scholar quipped, "The alphabet creates the infinite regress."

Much of the research done on phonetic embeds has been done by scholars studying James Joyce's *Finnegan's Wake*. David Koresh's letter of January 30, 1987, while hardly equal to Joyce's masterwork in which nearly every word is a phonetic embed, was full of linguistic embeds, like those used in hypnosis:

I have seven eyes and seven horns. My name is the whirred of God, and I ride on a white, horse. I am here on earth to give you the Seventh Angel's message. I have ascended from the east with the seal of the living god. My name is Cyrus, and I am here to destroy Babylon. I have come in a way that is contrary to preconceived ideas. I will reprove you for your world loving.

I will scold your daughters for their nakedness and pride that they parade in my Father's house, and by my angels I will strip them naked before all eyes because of their foolish pride. The young men will abuse my kindness. They will take my life but I will arise and take theirs forever more. Your minister's will lament your foolishness. Your lost flock will tear you to pieces. PREPARE TO MEET THY GOD.

-- David Koresh

Paul Wilcher tried to meet with Attorney General Janet Reno on May 5th, 1993 for a confidential conversation. Unable to see the Attorney General, he was instead seen by assistant U.S. Attorney Zipperstein.

Obviously frustrated by the sluggish bureaucratic response, on May 21st, 1993, Paul Wilcher sent the 105 page letter to Attorney General Reno. TV correspondent Sarah McClendon describe it as "very eloquent". Other than revealing that covert operatives were wanting to come forward with the truth about Waco and other secret government operations, in it was the urgent plea on the first page:

"...The lives of key participants, other witnesses, and even myself are now in grave danger as a result of my passing this information on to you. If you let this information fall into the hands of the wrong persons, some or all of those who know the truth about Waco and are prepared to come forward and testify could well be "silenced" (i.e., MURDERED) in the very near future..."

Paul Wilcher's body was found on the toilet. He had bled extensively from the colon. An autopsy was performed by a Dr. Kim who declared his findings as: "No cause of death". The morgue called the Washington D.C. Medical Examiner's office. The office sent tissue samples and Wilcher's organs to the Armed Forces Institute of Pathology at Walter Reed Army Medical Center.

Why Walter Reed? Because it is the location of directed energy biomedical research. The body was quickly cremated.

Talk on the *cybersam* was that Wilcher had been targeted by a highly amplified infrasound beam. One report from the scene described Wilcher's blood as "being expelled from the colon while the body was being removed." This description is consistent with internal organ rupture.

Host of a mind control forum on Genie, guerilla journalist Rita Hill informed the world about her friend Paul Wilcher (quoted with permission):

"Attorney Paul Wilcher died where he lived: Washington D.C. His apartment was in a brick building in Northeast Washington in an agreeable neighborhood in a city known for disagreements. In the early afternoon of June 23rd, 1993, a two

person NBC video crew arrived at the 637 Third Street N.E. address. White House correspondent Sarah McClendon was on the scene soon after. The body had been removed two hours before, however, and no members of the news media would be allowed to enter the Wilcher home on this Wednesday.

"The Washington D.C. police had contacted the FBI at about noon. Assistant Special Agent in Charge, James Desarno, seven other FBI agents, and a CIA agent would survey the location before dusk. By the next day, the forensic evidence in the apartment, his notes, papers, and the files in his personal computer, had all been cleaned out.

Although more than nine federal agents "investigated" the crime scene, the FBI claimed they were not interested in pursuing the matter. News media coverage was nonexistent, while the Internet ran rife with speculation.

One of Wilcher's clients was none other than Gunther Russbacher, a key figure in the Inslaw scandal.

Hill continued: "Gunther Russbacher had been a "deep black" CIA covert operative and, in 1993, was a prisoner in Missouri. Over the previous three years, Wilcher had become Russbacher's lawyer, and was increasingly confided in by the spymaster.

"In the immoral chess game of international espionage, Russbacher had become Grand Champion. He has been viewed by various people as: a scoundrel, a martyr, a patriot, a traitor, an assassin, a hero, or all of the aforementioned..."

In his letter to the Attorney General, Wilcher had written:

**My client here is Gunther Karl Russbacher, a life-long covert operative for the CIA and the Office of Naval Intelligence ("ONI") who has operated at the highest levels of both of these super-secret organizations over the past 30 and 25 years, respectively.**

**Because of his extremely high intelligence, his exceptional physical skills, his extensive training, his fluency in 8 languages, his proficiency as one of the CIA's top pilots and marksmen, and the fact that his father was one of the original founders (along with William Casey, "Wild Bill" Donovan, and others) of the Central Intelligence Agency, back in 1947, Gunther has always operated at the highest levels of these "intelligence" organizations, and has been entrusted with carrying out some of their most difficult, sensitive, and top secret covert operations."**



"The best yardstick for a character as complex as Russbacher," Hill continued, "may be the measure of his familiars. Two who are well known are Mikhail Gorbachev and Admiral Robert Inman. The less famous include his wife, Rayelan, expose writer Rodney Stich, and the late Paul Wilcher. All people from different backgrounds, with strong principles, and a willingness to make great sacrifices for those principles. Because of the Iran/Contra scandal, Admiral Inman resigned from the CIA in 1986. This was an unprecedented action for any high-ranking CIA officer, let alone the Director of the Office of Naval Intelligence. It was as unprecedented as Gorbachev's initiatives: Glasnost and Perestroika.

"By the late 1980s, America's intelligence community had become divided by scandals as well as by the Cold War's *raison d'être* (or lack thereof). As a CIA operative in this new scenario, Russbacher found himself in no-man's-land. In 1989 he married Raye Allan. The widow of Navy physicist John Dyer, she had written newsletter articles critical of the CIA. Gunther was arrested shortly after their marriage, and was incarcerated in one of the many increasingly harsh prisons he would occupy over the next four plus years.

"On the evening of April 30, 1991, Russbacher missed a helicopter flight from Alameda, California to Fort Ord, California. He said someone drugged his coffee, causing him to miss the flight. After the helicopter exploded, he started telling his story.

"Journalists and concerned citizens listened for hours on end, as the darkest secrets of the CIA were revealed in great detail: There had truly been an "October Surprise" deal by the Reagan/Bush people in 1980 to keep 52 Americans hostage in Teheran until Reagan became President. The CIA had indeed participated in the looting of the S&Ls. Yes, the Agency did use directed energy mind control on people it wanted to control. And on, and on, and on.

"For speaking up, Russbacher was tortured while in prison. Talk radio personality Dave Emory<sup>219</sup> relayed one incident: "His cellmate began not only throwing up blood, but defecating blood in extremes," Emory said. "Literally spewing blood out of both ends of his anatomy."

"If that incident had been a warning, it had not seemed to break Gunther's resolve. Later, in Missouri, he endured three separate heart attacks, but kept on talking," Hill said.

"Directed energy weapons can cause both heart attacks and internal organ ruptures," Hill explained.

The January/ February, 1989 issue of *Bioelectro magnetics Society Newsletter* stated that Walter Reed's Department of Microwave Research had acquired the

---

<sup>219</sup> Dave Emory, *ARCHIVES ON AUDIO*, P.O. Box 170023, San Francisco, Ca. 94117-0023

hardware needed to test the biologic effects of high power, pulsed microwaves by 1987. It revealed that such microwave energy "penetrates all organ systems of the body and thus puts every organ system at risk."

Under a subheading of "Cardiovascular Effects Research", the report continued: "...the team has obtained evidence that a "non-thermal" effect postulated several years ago does, in fact, occur and must be considered as potentially serious." In November, 1993, Dr. John Brisker, of the U.S. Army Research Laboratory, was slated to make a presentation promoting weapons based on this research. The exhibition was entitled: *High Powered Microwave Technology*.

"Whether or not David Koresh's Branch Davidians were planning to execute a quasi-military operation, as national security spokespeople would have us believe," Hill continued, "the real tragedy of Waco is how these people were set-up. Since at least the 1950s and PROJECT ARTICHOKE, the CIA has had available mind control (brainwashing) techniques as a way to create agent provocateurs. These people would be hypnotized to perform Agency dirty work upon receiving a pre-programmed signal. The intelligence community refers to such subjects as sleepers. In the last two decades, the CIA has increasingly used microwaves, transmitting cues directly into the subconscious minds of their sleepers. The FBI admitted discussing the use of such technology on Koresh. This was published in a July, 1993 article in *Defense Electronics* by Mark Tapscott.

" Paul Wilcher heard that Koresh and six others Branch Davidians were sleepers on March 11, 1993," Hill said. "Wilcher's letter shows a high degree of confidence in the information he received about Waco.

"At least one of Wilcher's contacts says that all four members of the Delta Force team have been assassinated, along with many of their family members," Hill said.

"One year after the Waco fire, (at the time of this writing) America's mainstream news media are no closer to exposing what government agencies and/or Branch Davidians were up to, than on the day that the Mt. Carmel Center burned to the ground," Hill said. " If ignorance is the middle ground between lies and the truth, perhaps this is an accomplishment."

Laurette Hern, a listener to one of my radio interviews sent me a page from *Subterranean Worlds* by Walter Kafton-Minkel. It tells of Cyrus Teed who was born in 1839 in New York. He had a vision and believed himself to be the second coming of Christ. He found that his name Cyrus in Hebrew was KORESH. He founded a cult and moved the colony that formed -- several hundred people -- to Ft. Myers, Florida. This Koresian cult bought 6,000 acres of land and were beginning to pose a political threat to the established politicians in the county when a hurricane blew the colony away.

Ms. Hern wrote: " I believe David Koresh was a mind control experiment (by one of our government's 'intelligence' divisions) and Koresh's maniacal programmer used a previously little known religious sect as a model for a fun scenario. I believe the experiment possibly got out of control and had to be terminated. No body could be found for autopsy as it would reveal an implant.

"Another interesting coincidence," Hern wrote, "is that David Koresh named his son Cyrus."

On November 16th and 17th, 1993, a "Non-lethal Weapons Conference" was held at Johns Hopkins University. Here, for the first time, proponents of directed energy, and other exotic weapons, were compelled to present their cases publicly. Many of the participating laboratories were closed in the succeeding year, but many other projects were scheduled at other labs.

The lawsuit generated such unfavorable publicity that Teed decided to carry his teachings to the world at large instead of small towns. So he moved his tiny band of Koreshans, now numbering *four* women, to a flat in Manhattan. Until 1886, the world at large paid little attention to Koreshanity. But in September of that year, the Fates changed their minds about Cyrus Teed.



*In the name of humanity  
Koresh, V.  
(Cyrus R. Teed.)*

Cyrus Read Teed or Koresh, the  
"Second Christ."

He was invited to address the convention of the National Association of Mental Science in Chicago, and the speech he delivered was so powerful, and his presence so charismatic, that he was elected president of the association. Before the entire convention, Teed healed a woman who until then had only been able to walk a few steps; she walked all the way home, praising the powers of Koresh. Teed had suddenly found a receptive—in fact adulatory—audience, and his fame spread quickly to both coasts. By the end of the 1880s, in addition to the nucleus of 126 followers Teed had won in Chicago, groups of disciples had gathered in Lynn and Springfield, Massachusetts, Baltimore, Denver, San Francisco, and Portland. With money donated to Teed, the Assembly of the Covenant (as he now styled his church) purchased a huge, ornate mansion in Washington Heights that Koresh christened Beth-Ophra. It served as a cooperative dormitory for the Koreshans, and from its bowels Teed began churning out another newsletter, *The Guiding Star*, which was soon succeeded by a more ambitious publication, *The Flaming Sword*. He also set up a "College for Life" at Beth-Ophra that held courses in electro-alchemy, metaphysics, and mental science.

## **34**

### **HAVE BUCK ROGERS' RAY GUN - WILL TRAVEL**

**N**ot far from the melted sand and globs of green Trinitite at the Trinity site -- beneath the tower that exploded the first atomic bomb, just across the desert sands from the Los Alamos National Laboratories where Invisible Weaponry is being developed at an alarming rate, is a private company, Consumertronics, which specializes in all things electronic. Headed by a "weapons engineer", John J. Williams, the company offers for sale all sorts of VLF, SHF, VHF, ELF devices and designs for devices to produce a variety of waves. It sells both offensive generators and defensive countermeasures "for research purposes only." It is the only company in the world which advertises this kind of expertise. His ads might as well say: "Have Buck Rogers Ray Gun, Will Travel," because Williams will travel to your home with a van full of scanners, meters, measurers and monitors and tell you what your electromagnetic environment looks like 24 hours a day. All it takes is money.

After hearing from a half dozen survivors of EM Targeting about this amazing company, I wondered if Consumertronics could be for real. I read the letters they'd received from Williams and studied his estimates, some of which were as high as \$12,000. Then I called to see what I could learn from him directly. Could all this "invisible weaponry" and "electronic mind control" really be happening? If so, would Consumertronics Be able to help the E-M Targeted Survivors?

From the advertising Consumertronics published, it certainly seemed as if Williams was qualified to build defensive countermeasures or an invisible weapon which could defend or zap your mother-in-law. According to his brief resume, Williams holds a Masters of Science in Electrical Engineering. His professional career included four years as a Weapons Engineer for the U.S. Navy and U.S. Air Force and an ongoing period of years as a consultant to departments and agencies he will not mention. He has also served as a Health Physicist for the National Institute of Health, Senior Engineer ( in electronics design) for Lockheed Corporation and has taught college level Computer Science for New Mexico State University.

In his copyrighted promotional literature Williams claims that he has worked for decades as a consultant to people exposed to a variety of electromagnetic frequencies. "People," he says, "who were plagued by unexplained manifestations." This, he says, makes him the single professional in the (world known to him) with such a background in "EM, physical and biologic systems as they interrelate to each other, and with the sophisticated and highly specialized equipment and software specially developed for investigating this phenomena."

He is the author of a number of writings on the subject, including, *Killer Watts, X-ray to Death, Heal Thyself, Radionics Manual, Electromagnetic Brainblaster, Bio-Spectrum Analysis* and *Under Attack!* While Williams calls these manuals many of them are only slim papers.

His advertisements look like a page of classifieds and includes an odd list of plans and pamphlets with the following titles: COMPUTER PHREAKING for \$39. CRYPTOANALYSIS TECHNIQUES, a manual and a disk for \$29. STEALTH TECHNOLOGY fully described for \$29. VORTEX GENERATOR plans for \$9. THE SILKWOOD, plans for a detector of X- and Gamma Rays and Alpha and Beta particles which fits into your pocket for \$14. PHONE COLOR BOXES designed by Phone Phreaks for \$29. SECRET AND SURVIVAL RADIO, 70+ pages of circuit plans and tables for \$29.

Consumertronics advertises a number of sets of plans for devices which would probably gladden the heart of anarchists and revolutionaries, such as devices which reverse your electric and water meters. But the things which interested me were things which related to Williams expertise as an invisible weapons engineer:

**BIO-SPECTRUM ANALYSIS:** Covers entire EM spectrum from DC to the near Infrared (0-300 GHZ) with special emphasis on DC, 50 HZ, 60 HZ, 2.45 GHZ, 3 GHZ, including 6 ELF bands. Cites 100s of studies by researcher, data source, effects and subject types; physical properties and FCC assignment of various bands; and signal intensities, frequencies, durations, duty cycles, waveforms and modulations. Graphical layout of EM spectrum sorted by freqs tested in biologic studies all at your fingertips. \$19.

**HIGH VOLTAGE DEVICES:** HV devices plans: Stun Gun, Taser, Prod, Cane, Flasher, Blaster, Zapper, Audio/RF/Radar Jammer, Jacob's Ladder, Plasma and Van de Graaff Gens., Fence Charger, Geiger Counter, Ozone Gen., Fish Stunner, Plant Stimulator, Kirilian - more! Shocking! \$29.

**RADIONICS MANUAL:** Exciting electrical, electronic and electromagnetic therapeutic, diagnostic and preventive devices (mostly experimental). History, descriptions, plans (dozens) availability's of Radionics Devices from early to modern. While drugs cost \$ Hundreds, electricity costs pennies! \$29.

Notice that all the above are either pamphlets or plans or manuals and disks. Consumertronics is selling information, but Williams, the owner also sells his expertise as a consulting service:

**SPECIAL PROJECTS:** We design, build, repair, modify, maintain and-or consult on any device, system, process or project - electrical, electronic, computer, phone, mechanical optical, automotive. Invention prototyping. Confidentiality guaranteed. Describe and include \$25 pre-engineering free (does not obligate you). Time and cost estimates in 7 - 10 days.

And many of the EM-Targeted survivors have sent in their \$25. A simple letter won't get you much, except a note written in Williams' unique scrawl or an estimate if you've sent in your \$. What interested me most were these items in the Consumertronics catalog:

#### **UNDER ATTACK!**

**Electromagnetic Interference (EMI) and Electronic Weapons cause inexplicable manifestations!** While chemical pollution can often be seen and felt, EM pollution - even when severe - is not seen and is seldom felt. Yet, it can cause cancer (particularly leukemia and brain tumors), birth defects, retarded development, psychological and neurological disorders, cardiovascular and immune system failures, hearing and balance dysfunction, etc. The human body consists of many **biologically Closed Electric Circuits (BCECs)**. EMI and electronic weapons can be destructive to people, pets, livestock, plant life and equipment.

**Includes actual cases** (Which we have investigated and documented) **of attacks on people by EM weapons!** There are similarities in the specific medical manifestations of these attacks. Some people feel severe medical symptoms - even when those living with and around them feel nothing or little unusual. Medical exam results were almost always wrong or inconclusive. Some are called "foolish," "paranoid" or "crazy." Police often just laughed in their faces - or behind their backs. Also includes how you can tell whether or not you are under an EM

attack, how you can pinpoint the source of the attack, and specific countermeasures you can take. \$29.

### **THE EM BRAINBLASTER (EMBB)**

Plans for powerful **Electromagnetic Weapons and Lab Devices**. Includes brainwaves and EEGs; behavioral conditioning, mind control, brainwashing and dreamscaping; physiological, psychological, neurological, parapsychological, cytological and histological effects of **EMBBs**; brain anatomy and physiology, positive stimulations (ie: calming, healing, pleasure centers, arousal, automatic learning, biofeedback, etc); stimulation techniques; optimizing waveform, freq. modulation, duty cycle and other factors; biological electrical/magnetic properties, etc. Dozens of photos and illustrations. **Mind Boggling!** \$29.

I called the busy engineer to see if he had time to talk. I was surprised that he did. Williams talked while I took notes for about 45 minutes. I identified myself as the author of Operation Mind Control. Williams hadn't heard of the book, so I had to fill him in on what I was doing.

I don't want to put any words into John William's mouth. He talks rapidly and spilled out a lot of general information. But what he didn't say, the way he didn't say it, is as significant as what he did say. So, I'm presenting this pretty much the way it went. The first interview took place on April 6, 1994. The second one took place on November 3, 1994. A few lines were cut because they were garbled, but almost the entire contents of both interviews is reported below:

Q: I've talked with a lot of people who are describing microwaves or ELF or some kind of wave which can read their mind and implant voices. You ever hear anything like that?

W: We have been involved in projects that included devices that were implant devices that had the same density as bone and that were implanted in spaces between bone so that when cat scans or x-rays were taken it would appear indistinguishable from bone. It wouldn't show up.

Q: Wouldn't there have to be some kind of metal in the electronic parts?

W: There would be, but a thin type shell that does not block x-rays and some of the newer devices that we've worked with and have seen others work with are ceramic material. You can't tell them from bone. They used to be fairly large, but about five years ago they reduced them to the size of -- you know what a Chicklet looks like? -- about like that. And now they have special equipment which allows



them to mold it into bonelike structures. When you see it on the bench you think you're looking at a piece of bone. And they can actually use this to replace a piece of bone and the bone will bind right to it.

Q: So, you're talking about some kind of implant. Is there no kind of wave phenomenon that could pick up somebody's thoughts and have a two-way dialog go on inside their heads without any implants?

W: There are certain cases where people have developed resonances in certain parts of the body. Particularly well known is teeth filling. They can decouple microwave signals and it acts like a microwave detector in which a person can actually hear radio stations inside his head from the metal in their teeth forming a diatonic type structure. And they could actually hear sounds from a radio station played inside their head. And for some people its been very vivid. And just a few years ago they didn't recognize it. They thought people who had this phenomenon were schizophrenic or crazy somehow or imagining it... but now they have been able to tell that in most of these cases it's actually some phenomenon.

Q: There's so many of these people who don't know each other who are saying the same things...

W: We get calls all the time. Sometimes we get up to four calls a day about this.

Q: How many people would you say you've talked to.

W: Last year it picked up quite a bit -- I'd say probably been close to 400 people in the last year. On the average of more than one a day. Toward the beginning of this year there was a period where we were getting eight to ten calls a day from all over. Ten years ago we got maybe a tenth of that.

Q: So, are you saying that based on the number of calls you've gotten there's some truth to this claim that people are being targeted by electromagnetic waves of one kind or another?

W: We're absolutely sure that it exists because some of our clients -- and I can't discuss with you who they are -- but we have some pretty high falutin clients and they buy our stuff and they don't tell us what they use them for, but some of them, we developed some stuff I've thought, I wish I could show people some of the experiments that were done. You wouldn't believe it unless you saw what we've done.

It works. We're absolutely sure it works. We design these systems all the time. We've put up to \$100,000 in research just in the last ten years, and it's always paid for by various entities. It's been one of our major thrusts. And if not a single person reports this to us, we're absolutely certain that it's happening.

Q: Well, how might this be applied if one were going to apply it.

W: There's two basic weapons types. One is low frequency and it's just basically -- I cannot for proprietary reasons tell you the frequencies -- I can give you generalizations -- One is below 20 Hz and it's near field primarily the magnetic component of electromagnetic wave forms is a pretty good sized heavy coil. This has the greatest manifestation and it can literally kill a person or completely make them go insane. There's a small group of waveforms that have devastating effect on people...

Q: I would think that hearing voices inside my head would make me go insane. So, what do you mean 'Devastating effect'..

W: Making a person go into convulsions. We've run experiments and we've demonstrated that you can use electromagnetic waves to scramble a persons brain like it was an egg. I mean completely scramble it. There is, of course, quite a bit of thermal phenomenon involved.

Q: You mean by scramble, confusion?

W: No, I mean physically scramble it. Cook it. Examination of brain tissue shows that the brain was pureed inside the head. You open the skull and just pour the brain out.

That takes a pretty strong field to accomplish that, but it is achievable. And anything less than that from mild confusion and vertigo -- that's just a near field thing.

Q: So what's this called?

W: It's basically low frequency electromagnetic weaponry.

There's another technology that involves very high frequency in the gigahertz range. It's above 800 MHz. The carrier wave is modulated by certain wave forms which are similar to the native wave forms used in the low frequency. But at the high frequency you get real good directionality and it operates similar to a police radar gun. Same size, same directionality and range. The units are slightly larger than radar guns. The range is about up to a half mile. They're basically silent. They can be aimed from inside a box or bag or purse so that the target doesn't even know it's there. And it too can have an effect similar to the low frequency one, but it's usually not quite as devastating -- but it's a lot more focused too.

With the low frequency one, even the experimenter can't be in the area because you cannot focus it. It just broadcasts it all over in all directions. You have to plant it...

Q: Plant it and run away?

W: Like in a burglar alarm system when you're going away on vacation. Plant it in your sofa, some idiot comes through the window and triggers it and ends up a complete basket case by the time you come back.

But you better not be there though. Ha. ha.

Q: This thing you're talking about. Could it make internal organs explode?

W: It could do that, because it can cause a physical rubbing together of the particles of the tissue. It forces the particles to vibrate against each other, so it can be used to do that. We've primarily tested it on the brain, which is a lot softer than other tissue, so it's a lot more vulnerable to this kind of thing than other organs. But, I guess, if you build them strong enough you could probably affect things like liver or kidneys. We've also tested it on bone...

Q: So, if I was a convicted felon, even though I might not be able to own a gun, I could buy as many of these weapons as I wanted?

W: There's no law. Of course, the kind of clientele we sell to, clearly understand that this is for educational purposes only we sell it to them. But they insist sometimes on telling us what they do with them afterwards.

If somebody came to us and said, "Hey, I'm a convicted felon," why, we're not going to do business with them. But people lie a lot... we can't know what a person's final objectives are.

Q: What would happen if you got a two story building and you put this big one below a guy's toilet and you set it up so it's triggered when they go to the bathroom? ( I was thinking of what happened to Paul Wilcher.) How quickly would this work?

W: It works within seconds.

Q: Could it work through the floors and tile and plumbing and all that?

W: It is diminished to some extent -- the low frequency one -- if there is some metal structure in the way. But, it's usually strong enough to have some impact.

Q: So, if you wanted to explode somebody's intestines -- rupture their spleen or blow out their colon....?

W: You'd set it on a timer or remotely activate it.

Q: ... But how much time would it take to work?

W: The manifestation time... now you're talking about something that usually, but not always works real fast. There are times, and this is real peculiar with this

technology, there are times a person will be exposed and they won't feel the manifestations for minutes, hours, days or even weeks! Sometimes even months or years after the initial exposure and then suddenly they'll get hit by it. And there's other people -- there's other exposures we've done, and I can't tell you specifically what kind of living things were involved -- with what we've been doing -- for obvious reasons, but we know for a fact that one exposure can elicit a bunch of reactions over a long period of time, often there is a delay and the signal can be long gone before the manifestation takes place.

So, there's a group of waveforms that are used and it's type of actual manifestation versus time of exposure has something to do with the waveform that's used and with the environment and the specific characteristics of the target its used on. It's really a very complex relationship. We have a pretty good handle on it after all this experimentation. But I cannot go into details with you.

Q: How many different machines are you talking about?

W: Well, there's two different classes of machines. And of the two classes there's probably dozens of different specific designs if not hundreds. But we don't pretend we've done every design that will work within that range.

Q: How small can these be?

W: The smallest we've seen. The transmitting unit is about the size of a pack of cigarettes.

Q: And how large?

W: We haven't built the largest yet. It's unlimited. It could be as large as, practically speaking, we've built them four to six feet in diameter for the low frequency ones.

Q: Have you ever heard of a device that looks like a few old fashioned bicycle bell shaped things, but with a much larger diameter, stacked up on each other?

W: Some of the antenna structures used for these are half hemispheric.

Q: Have you patented any of these devices you've built?

W: No. We absolutely cannot patent any device we've developed. If we patent it, all somebody has to do is look at the patent to steal the technology. Everything we do is strictly based upon a special agreement with the people that we work with, a trade secret kind of thing. We don't patent anything. That'd be crazy.

It's just something we would never do. Ha ha ha.

Q: You work with the private businesses?

W: We work with all kinds of entities. Private businesses. Individuals.

Q: Government Agencies?

W: Other entities we cannot describe.

Q: Government Agencies?

W: We work with other entities we cannot even begin to describe.

Q: Wackenhut Corporation, maybe?

W: We've worked with different entities from various countries all over the world.

Q: So, you're just an All-American entrepreneur who'll sell this stuff to practically anybody... except convicted felons.

W: Not really to anybody. If a person says or implies he's going to use what we develop for an illegal, or immoral, or unethical use, then we don't sell it to them.

Q: If he says he's just going to use this for experimentation?

W: We have no way of verifying what he's going to do with it. Just like, you go down town and buy a gun from a gun shop, that guy that sells you the gun, doesn't know if you're going to shoot rabbits with it or if you're going to go out and shoot your mother in law. He has no control over what you're going to do with it, nor should he have any.

Q: Can the use of all these devices be detected by monitoring equipment?

W: Some of them can. Some can't. The reason being is that some of these devices send out a signal in the form of a short pulse. If you used like field strength detector it would show a little bit of static on the radio or a little bit of switching noise or something like that, but it would not give the impression that it was an actual signal, or an actual weapon.

We know what to look for. We've developed special equipment for doing it. We do that as part of our consulting work. We know how to distinguish between ordinary static and what is an actual weapon.

Q: I'm going to tell people about this, I'm going to refer you to others and I will give your address and number. What kind of rates do you get?

W: Right now, all expenses and about \$250 per hour. Minimum of \$1,000 deposit.

Q: I've got an ad here, it's one page.

W: That's our ad, But let me tell you what our policy on publication is. We'll allow up to 10% paraphrasing without special permission. As far as providing publications. The person who's doing the story pays everything up front. We do have certain requirements that our name or address is provided in the piece that they're doing.

Q: We've heard from some survivors things about E.T.'s and UFOs. What about UFO's?

Q: We have an unknown presence detector. Anything that warps the static fields in your environment will show up on this. It doesn't detect the electromagnetic field, it detects the static field. Anything that moves through an area moves the static field.

Q: You've got high voltage devices. What are those?

W: Kirilian photography, spark generators, ozone producers, fish detectors... any number of high voltage.

Q: What's a Blaster or a Zapper?

W: There's a light blaster, it triggers a photoflash on a random basis. there's also an electromagnetic blaster.

Q: You sell stunguns? Tell me about them.

W: That's a high voltage thing.

Q: Bigger or smaller than a taser?

W: Ours have special features.

Q: How many volts?

W: Voltage isn't the consideration. Delivery of energy is. It should be about 200 volts. It can knock somebody down. If the energy were tweaked up, it could kill a person.

Q: How about amnesia producing?

W: Amnesia results from high voltage, yes.

Seven months later, having studied Consumertronic's literature I called Williams back with more questions. We were engaged in interviewing people, not only for this book, but for the video we were doing:

Q: We're making a documentary now and we've interviewed about 40 people who have had your handouts and some of them have had your estimates ranging from a few hundred dollars to \$12 thousand.

Now, I don't know what they're telling you, but from my point of view they're all suffering from the same thing. I think maybe you're missing the point by not producing some universal device, some off-the-shelf item that helps them all.

W: We already have those machines. We have produced jammer machines that will produce jamming signals for any kind of electromagnetic wave forms that might be aimed at a person. We have a couple of publications which describe what people can do to minimize the effects. And we've done a lot of special projects for people where we actually investigate their environment.

We have a lot of very specialized equipment. We're about the only people in the world that can help people with things like this. These are not just field strength meters or normal things like a private detective would use. We know what they look like. We know what wave forms they are. We have designed special equipment that detects them. And we can also detect them by being able to read the normal equipment correctly. We know the characteristics of these waveforms.

Basically it's one of those things, we're in great demand and we've already spread ourselves far too thin. We make big money for everything we do, so if somebody wants to hire our service to do it, we have to charge a lot of money. I get paid very well.

Q: But, since most of the people I've found are describing the same thing, there must be some way to adapt equipment or manufacture something that works for all of them cheaper than the \$12,000 treatment where you go out to a location and measure and test and all that?

W: The problem is, they may be suffering from similar manifestations, but the type of equipment at use and the motivation of the people using that equipment can be quite varied, that you really need somebody on site to look at it. Some of this equipment is highly directional. It can be aimed at a person thousands of feet away, even up to a couple of miles, if the signal is strong enough...

Q: Some of the people believe they are targeted from satellites...

W: Well there is.... the satellite itself would not probably produce a signal that is strong enough to adversely affect someone. However, it can produce a control signal that would trigger a device on the ground, that could do the same thing.

Q: They've called it the "Mental Telepathy System". And they're complaining about two-way conversations. They're not just hearing voices. The voices are answering their questions and engaging them in dialogue.

W: Well that's one of the common complains I've heard. We know for a fact... Now, I have to be careful what I'm saying here. We have... we do work for all kinds of different entities... and there are certain entities that we do work for both in the countermeasures and the actual production of devices that can do these kinds of things, that we have confidence with so we have to be very careful what we say... but we can tell you for a fact that, there are quite a few people who have implantables. They're being affected by these implantables. They're very small and they're very hard to detect and there's all different kinds. There are some that just transmit data from the person including, it could be biological type data, medical data like heart rate, blood pressure -- or it could be data coming off their nerve system, their muscles, their vocal chords so that anything they say could be picked up and transmitted. Also there could be transceivers. Some of them are fairly complex using computer chips that are highly miniaturized. We know this for a fact and we believe that there are numerous people in this country that have the implants in them. Somewhere along the line they were hospitalized, or they have a period they can't account for in their lives, they took a drive someplace on Monday morning and they came back Thursday afternoon and they don't have the faintest idea of what happened in between -- missing time.

We know for a fact that a lot of this work is done by entities that we have no direct knowledge about ourselves. But from the type of manifestations that are occurring and from other things we have seen, we know that there are certain things that are either being done by people in a highly secretive position in the United States or operating from a foreign country, or maybe E.T.'s for all we know.

Q: I was going to ask about your use of the word "entities." Some of the people who are experiencing this have raised the question about E.T.'s.

W: It's very similar. The devices, however, are quite varied in function and in different positions placed in the body and different lengths of time and duration, most are transceiver type devices, but there are some that are just transmitters and some that are just receivers. The functions they perform are from control type functions to monitoring functions. They're very sophisticated in their transmission. Instead of transmitting in a continuous way where you say something and then it's transmitted, they store the data for some time and they blurt it out in compressed form, and then it's stretched out -- whatever receives it -- stretches it back out. So they're very hard to detect. To the untrained ear they sound like radio static to a field strength scanner it's hard to find them. We do a lot of work. Some of it we cannot even begin to talk about...

Q: Did you ever work for John Alexander at the laboratory?

W: John Alexander? I can't tell you that the name is familiar.



Q: We're making a film and we're looking for things to show. Can you boil a lab animal's brain with a ray gun or something for the cameras?

W: I've got a problem with that because... some of the people I work with... see, a lot of this stuff is not supposed to become well known.

Q: We can stay in one area with you and we can talk about the defensive side of things -- the reason you came up -- countermeasures. The whole area of nonlethal weapons is wide open right now, as you know a lot of it is public knowledge. They're selling these so-called "non lethal weapons" to local police forces.

W: Yeah, but there's certain aspects of the work they don't want us to talk about.

When do you need this? We have some devices here. We have one that will literally scramble the brain. It's a low frequency device which at close range will literally scramble the brain. The trouble is it's omnidirectional, so to operate it you have to be a good distance away.

The problem is, to get this thing to work, you have to use it on a living system, where the nerves actually conduct in the normal way. In a dead system it might raise the temperature a little bit, but it doesn't do anything. But in a living system with the nerves operating normally, with the blood stream running, where the signal couples into the bloodstream and the nervous system then it can cause the brain to literally -- it's an incredible sight...

Q: How far away do you have to be?

W: You can use a telephoto lens and get far away. I would say at least 100 feet at a minimum because it's omni directional.

The problem is, what do we use as a subject.

Q: A rat or something?

W: We have in the past gotten into -- because we do a lot of lab work -- we have in the past received legal threats from people who don't want us to be doing any kind of thing like that -- cooking that precious little rabbit.... You might bring the rat, but it puts us in a bind.

We do demonstrations, maybe three to six a year. The people we select we carefully hand pick. They don't get to film it, but they can see it with high powered binoculars.

Q: You might use this video to sell your product. It'd be a national ad.

W: We got a problem with that too. We've got so much business right now we've had to turn away business. We've had problems with these people because they get on us for killing 'precious animals.'

Q: You mean like the Society for the Prevention of Cruelty to Animals?

W: I can't tell you exactly, but yeah, I think it's those people, or somebody like them. The problem is, if you show, on the air, an animal which is perfectly live and normal and all of a sudden blood is gushing out of its eyes and nose and ears, then there are going to be people who are going to be upset about it.

There was one film made up in Wyoming a number of years ago. I've seen it. It was pretty graphic. It was shown by one of our clients. You see, we maintain confidentiality with the people we work with, so this might have been for our information only. Like our demonstrations aren't open to the public.

Also, another problem is, some of the clients we've worked for, we cannot obtain too high of a profile. If we get too well known other people start snooping around and it makes our clients nervous if suddenly there are people parked outside our door with videocameras. And that's what always happens. And these people are people one doesn't want to upset, and for a number of different reasons. So I can't do it.

We've been doing this work for quite a bit of time and...

Q: How long have you been doing this?

W: We've been doing the similar type of work for about 15 years now. More intensely over the last ten years. We actually go back to 1971. And basically our sketches of ideas go back that far back.

Q: Why did you settle in Alamogordo? Because the market is there?

W: No. There's no market here. Ninety-five percent of our business is done out of state. We settled in Alamogordo for a good reason, I got a job offer for the Air Force over here. It was the kind of job I really wanted to get involved with because it does have some of this very interesting research to it. We were able to get a job through a special contact through a client. We were in a much more populated area and they wanted us in a much more isolated area so we came down here. It offered a lot more opportunity, both the job and the fact that we were off the beaten trail. So that's the reason we moved over here.

I have to talk to the people around here first. You'll have to send us a proposal of what you want to do in writing...

Q: I couldn't tell you. That'll be up to you to set up. Basically we're interested in mind control.

W: You'd have to be screened by our people. It's very scary stuff and we have to do it in such a way as nobody's going to accidentally wander into it or cause problems with personnel or people who're going to be upset.

This is so far beyond mind control -- it's a wave form that is so great it would cause physical manifestations. Like if you have a 60 HZ power transformer, it will buzz, but at much less power you won't get anything out of it. So at lesser powers these things can cause mind control type stuff, which does not result in any total or physical damage to a person, but when you get it beyond a certain point, you can cause tremendous amounts of problems to people. You can cause injury. And it can cause death.

We know for a fact because we've built equipment like this. It's kind of bulky and heavy, but it's not something we could easily transport.

Q: That radar-type gun you told me about might be interesting.

W: The big one is low frequency the radar-type gun is high frequency. For the type of radar generators that we use -- basically gun diode oscillators -- they don't produce enough power to do any scrambling, but they're really good at causing nausea, all kinds of mind control, automatic learning and things of that nature. They're very good for that, but you're not going to find any permanent physical manifestations. They won't cause a person to drop dead or something

The lower frequency application, which works on a much different principle -- works on a magnetic component of a field as opposed to the electrical component -- that's the one that's really ....

The radar type is highly directional and you can control that a lot better. But the low frequency one is not directional and you can't control that. It's ultra low frequency and it splashes all over the place. You don't want to be in the area when it happens -- that whole area is dangerous. The field, of course, has lobes which are much stronger in some directions than others. But it is present in all directions.

Send us some information in the mail, who you are, your background, tell us what you're going to do in this piece you're doing and I'll run it buy the people here...

Q: How many people you got working there?

W: That's confidential. We don't provide that information.

Q: Is there a laboratory scene with bubbling tubes and wires and oscilloscopes?

W: We have a number of people here and a number in our stable of experts. We have a number all over who we consult with. Basically, however, we don't have a

large number of people here doing any work. We have a small number. We do small scale manufacturing and research and development. And we have enough to do the work, but I can't tell you...

Q: Three or four guys at a bench?

W: I cannot tell you that. Whether they're guys or gals. I cannot give you any kind of information like that. I cannot let you film our benches or look at our equipment. We never do that. It's closed to the general public. Basically we're consultants by mail or by phone. We don't even meet the clients. We meet them only over the phone. We never sit down with clients. We never invite them in. They never see what we're producing. Until it's actually produced. Now and then, however, we'll send somebody with the equipment to set it up and demonstrate it for them. And that's only when we really highly trust a special client.

I cannot go any further with this until I get something in writing from you. Include a copy of your driver's license...

Q: Yeah, sure, John.

Although John Williams advertises a novel he's written *Condemned To Extinction (CE)*, I didn't get the impression that he was all that eloquent. While his catalog is clean and well written, Williams speaks elliptically and often uses the wrong verb tenses. I got the impression that he was (ironically) an open and honest individual, he is more of an engineer than a storyteller or wordsmith. So, when I saw an ad saying, "dreamscaping" or one that says: "Shocking truth behind UFO and ET sightings, secret, massive, international efforts to communicate with ETs, the New World Order, recent and current visits and probings, and the prospects of large ET visits or attacks on the earth in the near future," it makes me think that Williams knows more than he lets on. He something more than just another techie. Perhaps Williams travels in circles that allow him to glimpse strange vistas that start just on the other side of the National Security Curtain and span all the way to other horizons.

To live up to the agreement I made with John Williams the address and phone numbers of Consumertronics: 2011 Crescent Dr., P.O. Drawer 537 Alamogordo, NM 88310-5037. Phone (505) 434-1778, Fax: 434-0234.

The kinds of weapons Consumertronics sells play a role in mind control in the "low powered" use, as Williams said, but, we learned from a letter from a target, also they can be used in conjunction with the trauma-based programming. Here follows one of the many letters received by The Freedom of Thought Foundation:

...It is now about 3:00 A.M and my apartment and me and my children are being bombarded by some type of directed energy. My 8 year-old-son just woke up about 30 minutes ago having wet the bed

as usually happens when this "stuff" is so strong. Several people suggested that I contact you about possible help for our predicament.

I am a member of Mothers Against Sexual Abuse here in \_\_\_\_\_ . I have tried over the last two years to find out what I could about what is happening to us and how to combat it. I have reached many dead ends. I was told that a Dr. Bob Beck might be able to help us, but the person who agreed to contact him for me said that he wasn't getting involved in any more cases like ours. (That is correct, Dr. Beck is in poor health and no longer is able to work in this area which he pioneered.)

Very briefly, the nightmare puzzle of my life was brought clearly into focus about this time of year in 1992 when a therapist that I had been referred to by MASA board member was able to fit the horrible, scrambled pieces of my children's experience together as ritual abuse. We had known that the children had been sexually molested by their father on unsupervised court-ordered visits and we suspected there was something else... but nothing prepared me for what was finally disclosed.

I don't know why this is happening to us and I don't understand how. It would have helped our court case to protect the children from their father and his group of people if we had been able to show how we are being monitored and manipulated. At times it seemed that just for my own sanity, I needed some type of proof that what I and we are experiencing is verifiable. Now I just want to find out how to more effectively deal with it. My former husband is an electronic engineer who worked for a defense contractor here in \_\_\_\_\_. One of the women in his group that the children identified as a perpetrator also worked for that same company.

I would appreciate talking directly at your convenience... I am now losing my vision in both eyes to rapidly developing cataracts which the doctors cannot explain. The extreme sensitivity to light which I experience was met with the question of whether I had been exposed to any radiation. I certainly think so, but I can't prove it.

Short of killing me outright, in order to get control of the children, I believe I'm being rendered physically incapable of protecting them. I can't imagine what is next...

I called this woman and suggested that she pack up and leave in the middle of the night. She said she couldn't because she's in court, fighting with her ex-husband, the former electronics engineer. He doesn't have to purchase an ELF or microwave weapon from Consumertronics, he probably could build one himself from his own plans or from Williams.' Since there's no patents on Invisible Weapons the designs are in the public domain anyway.

This woman told me on the phone that, in addition to having the cataracts, she had burns on her shoulders. It sounds as if her ex is turning the beam up too high. If he cared to take the trouble to modulate it he could be giving her subliminal commands. She said that she'd been sleeping under tinfoil, but that it wasn't doing much good. I told her it's hard to defend against invisible weapons unless you know their frequency. I put her in touch with someone who may be able to help. This case, I believe, illustrates the dangers of unregulated (paralegal) so-called "Non-lethal weapons."

Below is an ad for one of the many monitoring devices on the market. Measuring the frequencies and field strength ought to be the first step in defending yourself against the effects of Invisible Weapons.



### The New Standard In Frequency Counter Performance

The Optoelectronics new Model 3000A HandiCounter™ continues in the tradition of the original Model 3000 as being the world's most highly advanced hand held counter. The A model instruments incorporate all of the original 3000 features and adds a microprocessor to provide advanced features such as digital filtering, digital auto capture, and a serial computer interface.

- **Digital filter mode** (*pat pend*) prevents display of random noise and oscillation
- **Digital auto capture** (*pat pend*) locks counter display on first reading to pass the filter.
- **ARM/STORE** button stores and recalls frequencies from a three register stack.
- **Low Power Consumption** 4 to 5 hour battery operation.

**OPTOELECTRONICS**  
HandiCounter™ 3000A

## 35

### **HUMAN EM TARGETS**

**H**arlan E. Girard, one of the most level-headed researchers into the lore of mind control has, himself, been an E.M. target for years. He doesn't like to talk about his personal experiences because he'd rather let others tell their stories, but he admits he still has "handlers" and hears disembodied voices. Like so many of the other so-called "Wavies" Girard is no wild-eyed maniac. He is distinguished, affluent and quietly articulate. The brief abstract printed below sets the overview for this chapter and offers a look at the high quality of the human beings reporting this E.M. Target phenomenon.

I'll introduce Girard to you, the way I met him, through his paper: **OFFENSIVE MICROWAVE WEAPONS: Developments in the Technology of Political Control:**

The Central Intelligence Agency (CIA) has developed a technology which can make the blind see, the deaf hear, and the lame walk. It will never be used this way because the technology is central to the domestic policy and foreign ambitions of the United States Government, whether that government is nominally headed by George Herbert Walker Bush, William Jefferson Clinton, or any possible successor.

The effects of these microwave weapons are many and varied, but the most insidious couple with the central nervous system to produce effects which might be described as Satanic possession. remote motor control of human locomotion and movement (including speech) has become possible. Remote motor control can be used to murder by suicide, "accident", suffocation, asphyxiation and heart attack, or to simply neutralize the victim by making words come out of his/her mouth which he/she had no intention of speaking

In order to evade responsibility for the detention, torture, rape and murder of many tens of thousands of human beings, the CIA has developed in conjunction with the NASA Ames Laboratory what is

called, generically, a "telepresence surveillance system." This system gives the torturers employed by the CIA the sense that they are in the room with the victim. In other words, the victim can be made to feel, and does feel, as if he/she is in prison, but the victim remains in his/her own home.

Consequently, a situation is created in which the victim appears to be free to uninformed third parties, but at the same time is incarcerated as securely as if he/she had been confined to a maximum security prison. In this manner, human beings can be and are being sadistically tortured in the privacy of their own homes. The bizarre objective of this treatment is to mentally and physically torture the victim until his/her own personality collapses, and he/she becomes something lower than a slave. In science fiction, this computer driven human being is called a cyborg.

At the present time, approximately 300 Americans (and other nationalities) are being clandestinely detained and tortured. Some of the funding comes from behavioral neuroscience research authorized by Congress in Decade of Brain legislation. As with every other interest of the United States Government, the creation of cyborgs had been entered into with reckless enthusiasm, the crudest possible taste, and immense amounts of money.

...the United States has brought the whole world to the brink of a disaster which is almost beyond human comprehension...

A good example of someone standing at this brink is Glen E. Nichols (47) of Grover Beach, California. Once a psychotherapist and family counselor, Nichol's patients were engineers, scientists and executives, employed by such companies as: Rockwell International, Lockheed Corporation, Rand Corporation, Litton Data Command, Motorola, Rocketdyne, Honeywell Computers, Rockwell Science Center, Lockheed CADAM, Infomatics Corporation, Grumman Corporation, Whittaker Corporation, Hughes Aircraft, Teledyne Corporation, U.S. Navy, U.S. Air Force, U.S. Army, Digital Equipment Corporation, Language Technology Inc., Image Sciences, Tandem Computers, Telos Corporation, Jet Propulsion Lab (JPL), Boeing Aircraft, Electrical Engineering Software, Compucorp, Wangtek, Data Products, GTE, Radian Corporation, ATE Associates, RCA, Exxon, IBM, Northrop Corporation, NASA, Chevron, CBS, NBC, ABC, CNN, Paramount Pictures, Universal Pictures, Lucasfilms, Disney Corporation, Aaron Spelling, Stephen Bochoco, WalMart and others.

Today Nichols will tell you he's been a victim of mind control for most of his adult life. Yet it was only a few years ago he says "awakened" to that fact. Like Girard and O and Lois, he too uses the word "slave" when speaking about his condition. Here follows an excerpt from letter's he wrote over the early months of 1994:



I am a victim of mind control. I have been mind controlled for my entire life... I have been mind controlled with the typical methods of behavior modification, hypnosis, drugs, electric shock, torture, and lies. I believe that most people who understand the methods of the secret societies would call me a *slave*. I can recall the perpetrators using the above methods on me when I was younger than three years old. As many know, the methods cause amnesia for the conditioning and psychological dissociation of the reality that the person is a slave (to).

Over the years the above methods were frequently used on me, at times daily. Sometimes I would realize my circumstance because some good people would *awaken* me and explain what was being done to me. When I would begin to realize what was being done to me, the perpetrators would find me and intensify their efforts. They often used torture, ether, memory blocking drugs, and electric shock to my head to erase my memories. This would cause me to forget what the good citizens told me.

Apparently, the above very strong methods of mind control were not enough for the perpetrators. I now remember that when I was about twelve (12) years old in 1959, the evil people inserted a temporary radio receiver in my ear. I was told that I had a hearing problem and I had to wear a hearing aid. Apparently, some people around me objected, and they stopped that tactic for a short time. When I was about fifteen (15) years old in 1962, they had miniaturized radio receivers sufficiently that they could insert one in my ear canal without me realizing what they had done. Then they would use very low volume subliminal messages to control me. They would give me post-hypnotic suggestions that I had ear infections and I must not clean inside my ear canals or I would suffer permanent hearing loss. Occasionally, I would clean inside my ear canals and find a metal device, that would be explained away by those around me. The realizations of devices in my ears were then always erased with torture, drugs, and electricity.

The mind control efforts were very intense. I was oblivious to many events around me, and certainly to the reality I was being completely controlled. I had thousands of days and experiences simply erased from my memory by their techniques. Occasionally, with some people's help I would briefly break free from their control. This would enrage them. When I was about twenty (20) years old in 1967, they surgically implanted a miniature radio receiver and transmitter behind my right ear canal and next to my ear drum. I was told I had hurt my ear playing football. Over the next twenty (20) years the receiver-transmitter was replaced a couple of times and another one was implanted behind the other ear. I have several very fine scars

above and behind both ears. Apparently, the perpetrators not only would broadcast subliminal commands to me, but had the ability to listen to my conversations, and to electronically track and locate me.

For some reason, in addition to the surgically implanted radio receiver-transmitters, at times additional miniature receivers were also inserted into my ear canals. I can recall having one found in my ear by a California State University, Northridge, health center medical doctor in 1971. I also found another one in my ear in about 1988. Of course, they would immediately erase my memory of what I had found. I assume there had been other times that I have not yet recalled. Why would there be miniature receivers in my ear canals in addition to the surgically implanted ones *behind* my ear canals? I can only guess...

There have been many other devices. I can recall having an electrode inserted into my frontal brain through my nostril when I was about thirty-three in 1980. I experienced intense pain, confusion, and disequilibrium. I was told I had a sinus infection. I explored the source of my pain and found a small bulb stuck to the roof of my nasal cavity. The doctors I contacted said it was an infection and not to touch it. I persisted and removed it myself with tweezers. It looked like a two-pronged electrode, with two sharp wires stuck up into my brain with the bulb hanging down. I took it to the Federal Bureau of Investigation (F.B.I.). They told me it was a transistor that had probably fallen out of an automobile. Then my memory of the event was erased for several years until recently. There are several other such incidents for which I have only very vague memories.

When... I was forty-two years old, in 1989, I began to realize that something was very wrong. I had massive memory loss and some memories I could not explain. I gradually began to realize I was the victim of mind control. I began to recall thousands of conditioning sessions and abuses. I had not yet realized I was also the victim of surgical implantations. When I sought help from "friends," family and medical professionals, they all said I must be psychotic that none of it had happened. They said there are no secret organizations and there is no such thing as mind control, that it is all a delusion. I quickly learned that no one would talk about the abuses. I was threatened that if I talked about it I would be committed to a mental institution for a very long time, or murdered. Of course, the threats are always indirect so they can be denied. My efforts at securing assistance from the F.B.I., police, lawyers, and medical professionals was responded to with a complete denial that such things happen...

I anguished with the reality that over forty-two years I had been a victim of mind control, torture, and slavery. Since I had not yet

realized that I had surgical implants I tried to continue on with my life. However, in June 1991, when I was forty-four years old, they informed me through the speakers that I presently had implanted in my skull, that the speakers are there. They just simply increased the volume so I could hear them consciously. They also informed me that I have an electroencephalograph (EEG) transmitter implanted in my brain, and that they use bio-medical telemetry and computers to read the EEG. They indicated that the EEG transmitter was implanted... perhaps in 1970, when I was twenty-three...

... I was (then) a student-employee and an administrative aide at the Department of Defense Contracts Administration Services in Van Nuys, California... I was taken to several defense contractors' locations (Rockwell, Litton, and Lockheed), and shortly after my memory would be erased. On one occasion I was taken to the Lockheed Corporation in Burbank, California. I was asked to "test" a new pilot simulation chair including the oxygen mask. I was then administered a general anesthetic and some type of cranial operation was performed, and then my memory of the events was erased until recently. A couple of years later, in about 1972, when I was twenty-five, I was directed to "hypnotherapy" by Eric Marcus, M.D., at the Gestalt Therapy Institute in Santa Monica. My memories of those sessions were also erased...

After the realization of my implants in June 1991, and the perpetrators around-the-clock torture of me, I contacted several medical doctors. All of the doctors indicated that I must have nerve damage or a psychiatric disorder, because what I was describing doesn't happen. In August 1991 I was given a Magnetic Resonance Imaging (MRI), it is similar to X-rays, of my brain. The technician happened to mention that the images on the screen were *not* accurate. When I pursued a conversation, forgetting that I am constantly monitored, a man entered the West Hills Regional Medical Center MRI location and told me I had to leave. Of course the doctor, Jeff London, M.D., who ordered the MRI, said the results did not show anything.

I know, and the perpetrators know, that a legitimate MRI or X-rays, radio frequency analysis, or surgery will prove the existence of their diabolical system. However, I also know that they are experts at eliminating evidence, and when they can't eliminate the evidence they simply manage the public, media, and judicial system...

While Nichols insists that he has implants, Girard and others think that's unnecessary and unlikely. So, continuing with his story, Nichols tried to comply with what he called "their code of silence", thinking that would bring him relief from the incessant harassment he was experiencing.

In January, 1992, while they were torturing me with their incessant broadcast, I decided to teach a community college psychology course on stress. I did everything to appear normal. I believed maybe I would receive some help if I did not seem to be a witness against them. I also thought the normal appearance would counter their efforts to discredit me. It took all my effort to conduct the class, somehow I completed the term...

I have radio receiver-transmitters implanted next to each of my ear drums, and an EEG transmitter planted in my brain.<sup>221</sup> They have demonstrated quite conclusively they can read every one of my thoughts. The system is extremely fast and accurate. They inform me of their knowledge of my most minimal thoughts, auditory perceptions, and visual perceptions. The system is also very powerful. I have tried evading the radio signals by hiding in structures and traveling great distances. Unfortunately, they have always been able to receive data from the transmitters, and I have always heard their broadcasts. Nothing has been successful.

...They read every thought, make continual bizarre distracting comments, give constant subliminal commands, and use high pitched sounds against me every moment. They use a combination of extremely demented, vulgar, heinous, and satanic ranting; then alternate this with informing me of the details of thousands of days of experiences for which I have had complete amnesia. They will at times cause me to laugh, smile, and display a lighter mood, while inside I know they are creating an image for a situation and I am actually extremely distressed. I know that they still have complete control of me, even though I am now aware of their system. They like to command me to do different behaviors, then taunt me with I am their toy and robot. They continually remind me that it is impossible to counter their subliminal commands. They call this process of torturing me "icing." They have been controlling and torturing me for my entire life. The perpetrators increased their subliminal broadcast to a conscious level and have been using the speakers and EEG transmitter to torture me continuously since June 1991.

For over two-and-a-half years they incessantly, viciously, and maniacally read my thoughts, make vulgar comments, give me atrocious subliminal commands, broadcast noxious sounds, and disorient me every moment. They even structure my dreams when I fall asleep from exhaustion. They have several times kept me awake for several days, I know I was very near death. They tell me they are the "Illuminate," or "Freemasons," or "Brotherhood," or the "CIA" or NSA or "U.S. Navy Intelligence," or "U.S. Army Intelligence," or "U.S. Air

---

<sup>221</sup> For audible voices and their uses in intelligence operations see: THE BODY ELECTRIC, Becker, 317.

Force Intelligence;" or a particular corporation like "Rockwell International," or "Lockheed Corporation," or "Northrop Corporation," or "Exxon." Probably each description contains some truth. I just think of them as *The Organization*.

...for about three years no one would even admit to me that any type of mind control existed. I concluded that their terrorism is so effective that no one ever talks about it. Then in August 1992, an anonymous person in a bookstore pointed to a book called *Breaking The Circle of Satanic Ritual Abuse (1992)*, by Daniel Ryder. I can not concentrate very well, so I only skimmed the book. It presented information about the "Marionette Syndrome," or slavery, and other abuses. It described explicitly some of the mind control techniques, it gave references to other books on ritual abuse, and it listed some organizations that help people.

In August 1992, I began contacting the above organizations. Most of the people with whom I spoke acknowledged that the above atrocities are real and that countless others have been victimized. However, each individual and organization presented some barrier to actually helping me beyond occasionally listening to my anguish. One organization said it sounds like *The Illuminati* or *The Brotherhood* is torturing me. They said they have helped several of their victims. They told me that they would send me some information, and then I should call them back to make arrangements to travel to their location. When I called them again, they said they can help others they just can't help me. The above basic scenario has happened on several occasions. It seems that my circumstance is just too controlled and dangerous, that people are unable or afraid to help me.

...I am not optimistic. *The Organization* here in America seems to have complete dominance of every individual and institution. They boast to me how they are the Eye of the Illuminati, Freemasons, and the secret Greek Society. They say they are a worldwide nation that governs the world. They tell me that no country or organization would dare defy them. They indicate that they are the government behind most governments...

..I know that they are masters of deceit and frequently use a *Trojan horse*. They set up front organization to portray that they are helping victims so that they can uncover any underground opposition. I hope that some people and organizations that seem to be genuinely helping victims are real.

I am very skeptical. For instance, I wonder about former intelligence officers based in a suburb of Washington, D.C., that publish information about government abuses. Why does the Association of National Security Alumni publish an expose about microwave

*harassment* and *mind-control experimentation* when in reality it is not *harassment* or *experimentation*. They are actually *diabolical torture* and *perfected mind control systems*, respectively. Why do they emphasize the beginning of government electronic abuses in 1988 or 1989 when they should very well know the abuses have existed for decades? You would think former intelligence officers would know these facts. Why do they emphasize *microwaves* and *directed-energy* methods, when there are complete *thought reading* and *mind control systems* using *implanted devices*, *telemetry*, and *super-computers*? Why do they present circumstantial evidence with references to records, scars, inconclusive X-rays, and victims' testimonies when there are victims that are known to them, and brain images, frequency analyzers, and surgeries to prove the existence of the devices beyond any doubt? Why is there no reference to the secret societies and fraternities like the Mafia, PII, and Freemasons? Why is there no mention of the prevalence of mind controlled slaves?

...I will continue to be skeptical and cautious. I know that all legal systems are usurped by *The Organization* and public laws and constitutions are circumvented.

In another letter Nichols said:

My experience is that all my conscious and unconscious cognitions are detected. Complete conscious and subliminal control of me is exerted with the implanted speakers, electrodes, and brain transmitters. The perpetrators control me to travel to locations, take actions, ( Nichols told me in a telephone conversation that includes assassination attempts) speak words, use nonverbal sign language, and it is all precisely coordinated with their objectives. They can insert thoughts and elicit images in my mind and they can describe in detail to me those thoughts and images. As well, they discuss with me the details of my dreams, their contents, and pictorial descriptions of the dreams after I awaken from sleeping. During my waking states, very minimal thoughts and visual and auditory perceptions that I have are discussed in detail by the perpetrators. As extraordinary as it may seem, the perpetrators have essentially 90-100% monitoring and control of me. They virtually have many people 24 hours a day broadcasting to me. They continuously broadcast demented ranting and noxious sounds. They will at times inform me of consultations or activities in which they direct me to be a participant, and then the events were erased from my memory. They also spend an inordinate amount of time redundantly demonstrating to me how they can monitor and control my entire cognitive activity and behavior.

I know that other methods of mind control can be used, such as extremely low frequency (ELF) radio waves, microwaves, lasers, infrasound, behavior modification and hypnosis. However, the biotelemetry system creates completely monitored and controlled human robots. Personally, it is extremely terrorizing and completely dehumanizing.

I have memories, and the perpetrators have debriefed me about thousands of heinous abuses of me and others, and activities they have devised. Unfortunately, they have also inserted much disinformation into my memory. I am certain that I have consulted with many government personnel, businessmen, entrepreneurs, and people in the entertainment industry. My incomplete and fragmented memories include improbable and extremely sensitive missions inside the U.S.S.R. For example, one mission I was directly involved with was a covert removal of a very high K.G.B. official to America.

Whether or not Nichols has electrodes implanted in his body has yet to be determined. He says that he has used meters to measure the frequencies of the transmissions used against him, most of which are from 1 kHz to 30 kHz. He has written a number of researchers and psychologists telling them the same things he's told us.

In a telephone conversation with him, when I expressed skepticism about his having implants, he told me he didn't think it was me, because, he said, "Boward knows this is possible." Mr. Nichols deserves our help and attention and at the moment we have not located the people who will volunteer to 1. take the X-rays of his skull which prove or disprove his claims of implants, 2. the electronic wizards to somehow catch him unaware and measure the frequency and strength of the signals he says he is perceiving, and 3. a deprogrammer willing to set him free from his classically conditioned states. Like so many survivors, Nichols is unemployed and without resources. And, in the United States of America there is little know-how in deprogramming and no mental health system that can provide the services he needs.

On May 28, 1984, *The Miami Herald* carried a story by staff writer Al Messerschmidt, headlined: DRUG PILOT SAYS HE'S CAUGHT IN A CIA PLOT. The subtitle read: "Implants called Part of Plan to Control World:"

James Pettit, convicted drug pilot, admitted arms smuggler, has told the same story over and over again. Nobody believes him.

Imbedded in his neck, he says, are tiny electronic devices put there by the CIA to control his thoughts. A Federal Judge heard the tale and ordered a psychiatric examination. The psychiatrist said that Pettit is legally competent. The judge ordered a CAT scan, a sophisticated x-ray of Pettit's neck. The test found nothing. When a

Dade circuit judge heard the story, he thought Pettit was trying to talk his way out of an arson charge. The judge ordered new x-rays when Pettit offered to accept a 30-year jail sentence if they turned up nothing. To the surprise of the judge, the prosecutor and even Pettit's attorney, the new test from Jackson Memorial Hospital showed "two foreign objects" in Pettit's neck. Circuit Judge Howard Gross has ordered exploratory surgery to find out what they are.

"Thoughts that don't belong to me keep appearing," Pettit said during an interview in the Dade County jail. "The only problem I'm having is getting the implants exposed."

"Up until the newest x-rays, there was nothing to give credence to his story", said Pettit's latest attorney, Roy Gelber. I feel that now there is some objective proof of what he is saying."

It is the kind of tale that could become a best-seller. A spy thriller with drug-smugglers, airplanes crashing in flames, organized crime, murders and mind control by the CIA. Sitting in a tiny interview room in the jail, Pettit holds up one, then two x-rays. Each is about the size of a sheet of typing paper. "See the circled areas," he says. "See that thing that looks like a little bottle. That, my friend is an implant. They're not metal, they're quartz. They're like tiny radio receivers.

"I think they were going to use me in a plan to assassinate someone," Pettit says. "I can't prove the CIA put them in there, but there's no way any government agency has the power to do that. You think about it. I can't be the only one implanted."

Physically, James Pettit, 39, is a wreck. Burn 'em Pettit is what Federal Drug agents called him because of the many planes he crashed in his brief career as a drug pilot. Pettit's latest crash in April of 1982, a Lockheed Lodestar carrying qualudes was the worst. When the plane exploded in a Colombia pasture, Pettit was burned over 54% of his body. Eight days later he was admitted to the burn center of the U.S. Army Institute of Surgical research at the Brooke Medical Center at San Antonio, Texas. Hospital spokesman Ray Deary confirmed that Pettit was treated by two doctors at the center until July 2, 1982. Pettit said that while he was at the burn center the implants were put in his neck, face, arms and ears. The CIA program was called Operation Crystal Ball, Pettit says, and he found top secret documents on it in a Key West dumpster in the 1960's. They came from a safety deposit box which was broken into at the former Key West National Bank, he says. The documents described a CIA plan to take over the world's judicial and political systems by mind control by the year 2000, Pettit says. "The crystal ball routine, I'll never be able to prove," he says. His discovery of the documents is one reason the CIA focused on him, Pettit says. The other reason was his search



to find out why his older brother, Herchel Neil Pettit, died in the Gulf of Mexico in 1978. Pettit says his brother was a "straight arrow". He couldn't believe his brother had committed suicide aboard a boat loaded with pot. "I think he was working for the CIA or the DEA," Pettit says. "I went to New Orleans. I talked to an organized crime family, gave them a list of names. CIA, CIA, CIA. "Don't fool with it," they told me. I put it all together in my head. Smuggling, CIA connected." James Pettit is obsessed by thoughts that the CIA can control him. In a deposition Pettit asked his ex-attorney in Federal Court, Kathy Hamilton, if she was working for the agency. "No," she said, but the CIA once offered her a job as she was graduating from college. Pettit said Hamilton's fidgeting with her hair and cigarettes were "triggering mechanisms" to control his mind.

In motions filed in court, The Herald story reported, Pettit said it was important to note that his former attorney, Assistant Public Defender James Webb once showed up in court wearing a Duke University ring.

The year on the ring wasn't the year of Webb's graduation -- a tip-off that Webb was working for the CIA says Pettit. "I accused him of it." Webb says there's no truth to the accusation.

The federal jury that convicted him of drug smuggling in 1983 was controlled by the CIA, Pettit told the *Herald*.

Defense attorney Hamilton is convinced that Pettit is linked to the agency. "I'll tell you this," she says. "Jim Pettit has worked for the CIA. That has been confirmed. Pettit has told me he worked for the CIA. In addition Charles Mardi has told me he worked for the CIA. That he has had Pettit checked out. That it was confirmed." Mardi, a codefendant in a Federal drug case was to have been a co-pilot on a drug flight with Pettit. In the middle of that trial Mardi's defense attorney Alexander Martoni, asked for a hearing out of the presence of the jurors because he had learned that Mardi had met secretly with the DEA and the CIA. "The CIA tried to get the charges dismissed because of the CIA connection with my client," Martoni told the U.S. District Judge, Jose Gonzalez. "There are letters in their files. I have direct confirmation that Jim Pettit has flown for the CIA said Martoni. Jim Pettit needs some definite help. The government owes him that. He's been impaired as a result of those flights. The U.S. Government has never taken responsibility for what happened to Jim Pettit."

Before Pettit's Federal Trial, Defense Attorney Hamilton asked Gonzalez to order a psychiatric test and a CAT scan of Pettit's head. Dr. Charles Mutter reported that Pettit was competent to stand trial and according to the *Herald* added:

" It is my opinion that this individual is attempting to contrive a story in order to evade further legal proceedings. Although his alleged belief would represent a psychotic delusion, there is nothing else in the mental status of the man that is consistent with mental illness."

The CAT scan at Jackson Memorial found nothing. Pettit didn't testify. He refused to cooperate with Hamilton. The attorney said nothing about the CIA or implants. The jury convicted Pettit. Gonzalez ordered a 15-year prison sentence, one of the stiffest in the Operation Screamer cases. Pettit's extensive criminal record -- he had served several prison terms -- prompted the judge to order the tough sentence, Hamilton says. Now Pettit awaits trial in circuit court, accused of setting fire to his girlfriend's house after barricading himself inside after DEA agent Beasley tried to arrest him.

The case was scheduled for trial before Judge Gross last week. The day the trial was to begin, hospital officials, responding to a court order, brought copies of the federally ordered x-rays to court. Pettit, Defense Attorney Gelber, and Prosecutor Phil Maniatty huddled in the jury room with Dr. Robert M. Quencer of Jackson's radiology department to examine the x-rays.

The x-rays showed the top of Pettit's head, but didn't show the neck area behind his ear. Pettit, who is representing himself with Gelber as co-council offered to plead no-contest to the arson charge and accept a 30-year sentence if another set of x-rays showed nothing. Judge gross sent Pettit back to the hospital. When Dr. Quencer returned with the newest test, he told the judge that something unexplainable is in Pettit's neck. "I thought he was just fabricating a story to beat the charges said Gross. "The x-rays give me something to think about."

"Until the radiologist came in I thought it was nonsense," said Maniatty. "I don't know what those two things are."

The radiologist said "It could be metal from an accident , but it certainly would be worth checking into, but it has nothing to do with this case."

Tuesday Gross ordered the hospital staff to perform an operation to determine what is in Pettit's neck.

A follow up story written by Bill Looney appeared on June 19, 1984. in *The Miami Herald* headlined: X-RAY SURGERY FAILED TO FIND BUG IN MAN:

The first CIA operation in Jackson Memorial history ended in disappointment Friday for James Pettit. It was just after 10 a.m. when Pettit, age 38, convicted drug pilot accused arsonists and firm believer that the Central Intelligence Agency has planted electronic

thought-control devices in his skull rolled into ward D at Jackson in a wheelchair and leg irons. He was clutching a court order for the surgery that would prove his claim, ease his mind and maybe cut his prison time.

"I'm not going to let them put me to sleep," he said warily. "Jackson's a damned government hospital."

He needn't have worried. After reviewing new x-rays taken Friday, the Jackson's physicians scheduled to do exploratory surgery and find out just what was in Pettit's head refused to operate above the neck. "I'm not touching that head," said Jackson Professor of Surgery Gerado Gomez...

"I want those things that look like bottles taken out of my head. Any refusal of Jackson Memorial Hospital to follow this court order constitutes in my opinion collusion with the CIA," said Pettit holding the folded order from Circuit Judge Howard Gross as Senior Surgical resident Michael Cotler sewed up his back.

"Tell me doctor, do you work for the CIA?"

"What are you talking about?" Gomez said, laughing uneasily, looking confused. "I don't work for the government."

"I want it known that the doctors at Jackson Memorial Hospital refused to operate on the suspicious area," Pettit said.

"Mr. Pettit wants the court order enforced," Gelber said. He said they would try again in court.

"Since I took this case I've had seven people come to the office asking if I can help them with similar problems," Gelber said. "One said she was John Kennedy's girlfriend and the FBI had put transmitters in her head so she wouldn't get JFK in trouble. Everybody wants to know what those things are in Pettit's head."

Are we witnessing the manifestation of a new cyborg mythology -- a form of cybernetic hallucination which is building toward an eruption from the collective unconscious? Or is the day Jose Delgado was desiring already at hand. Maybe we now live in a Psychocivilized society.

"We need a program of psychosurgery for political control of our society. The purpose is physical control of the mind. Everyone who deviates from the given norm can be surgically mutilated. The individual may think that the most important reality is his own existence, but this is only his personal point of view. This lacks historical perspective. Man does not have the right to develop his own mind. This kind of liberal orientation has great appeal. We must

electrically control the brain. Someday armies and generals will be controlled by electric stimulation of the brain...<sup>221</sup>

And remember that it was the state, through the Public Health Service, the Office of Naval Research, and the U.S. Air Force Aeromedical Research Laboratory, which funded Delgado's work.<sup>223</sup>

The golden tones of Dave Emory's voice made a series of tapes called *Operation Mind Control*. Emory recaps the early version of this book, presenting an "easy listening" way of covering the highlights of the history. Emory and his staff also come up with some good original research, but above all they broadcast the shows live and take calls from a most well-informed audience of regular listeners in California.

On Emory's<sup>224</sup> *Operation Mind Control #5, Tape 2C* a caller says: "Keep up this very good work. It's very important. When you get down to it it's the basis of controlling society. If you get to people's minds the rest is easy."

Emory: "... California is the center of this kind of activity and that Ronald Reagan was Governor he attempted to get something The Institute for The Study of Violent Behavior set up on Southern California. People involved were Louis Jolyn West. He was Jack Ruby's Psychiatrist. He testified that Jack Ruby shot Lee Harvey Oswald because he had psychomotor epilepsy and he had a brief a brief epileptic episode which caused him to pull the trigger and kill Oswald with a single shot, and that is the Warren Commission's thesis as to why Ruby killed Oswald. Also Dr. Earl Bryan, a key official under Governor Reagan. He was involved in massive use of behavior modification techniques in the California prison system, which was used under Reagan as a huge laboratory for the development and refinement of all kinds of mind control techniques, but Earl Bryan was also connected with Edwin Meese and his name surfaced prominently with the scandals that our attorney general ... was connected with some months back..."

Another caller says: It's also good to keep in mind that the sixth anniversary of Jonestown is coming up. It was a CIA mind experiment with very serious, serious fatal consequences.

The message is getting out. Mind control is part of the surge of Invisible Weaponry development. Our elected officials are involved. A third of our national budget is spent on black operations which hide all the secrets. Still, thankfully, the information is getting out to the general public, and since 1980's it been the survivors of EM Targeting, like Harlan Girard who have led the way.

<sup>221</sup> Jose Delgado, *Congressional Record*, No. 26, Vol 118, Feb. 24, 1974.

<sup>222</sup> Paul Schrag, *MIND CONTROL*.

<sup>223</sup> Dave Emory, *ARCHIVES ON AUDIO*, POB 170023, San Francisco, Ca. 94117-0023, 1993-94.

So, its appropriate to close this chapter with the voice of Girard from his speech entitled **AFFECTS OF GIGAHERTZ RADIATION ON THE HUMAN NERVOUS SYSTEM** Recent Developments in the Technology of Political Control, a speech he delivered at the NATO Advanced Research Workshop on Coherent and Emergent Phenomenon in Bimolecular Systems. Held at University of Arizona Jan. 15 - 19, 1991:

In 1988 the Office of Technology Assessment of the Congress of The United States published a special report entitled: **Criminal Justice, the New Technologies and the Constitution**. The report surveys the new technologies used in the investigation apprehension and confinement of criminals and " addresses that delicate balance to be maintained between the national interest and individual rights." As welcome as this report is to those of us who are interested in a government of law rather than of men, it manages to omit any discussion of the use of directed energy weapons from the section on "less than lethal" weapons. For instance, a weapon has been developed to paralyze a person at a distance through a brick wall if necessary. This weapon was developed during 1983 and 84 for use in situations where hostages are being held. A variation of this weapon has been purchased by the Marine Corps for confusing and disorienting the enemy. American weapons research has centered on pulse radiation in the gigahertz frequency band for a very interesting reason. In 1972, the Department of the Army researched Soviet and other foreign literature sources and discovered over 500 studies devoted to the biological effects of Super High Frequency Electromagnetic Oscillations (SHF).

"SHF may have potential uses as a technique for altering human behavior. Lethal and non-lethal aspects have been shown to exist. In certain non-lethal exposures definite behavioral changes have occurred. There also appears to be a change in mammals when exposed to SHF, and sensitivity to sound, light, and olfactory stimuli."

The significance of this intelligence document in terms of the medical experiments commissioned by the Central Intelligence Agency since 1976 is that "emphasis in this report is placed on influencing individuals as opposed to groups. Secondly, this report is a trend study and therefore contains statements predicting Soviet knowledge and capabilities for influencing human behavior up to fifteen years ahead, or 1987. It foreshadows the enormous effort put into behavior control experiments employing the use of masers and microwave beam weapons on involuntary human subjects during the Reagan/Bush regime. Thirdly, despite the report titled, **Controlled Offensive Behavior USSR**, it opens with a chapter describing the use of torture on Catholic prisoners in British jails in Northern Ireland. The

inclusion of this chapter at all and its position at the front of the report clearly is intended to suggest that it is permissible for the United States to torture its own citizens because these methods are being used by our very civilized cousins in Britain and not only barbarians in the Soviet Union.

Fourthly, the report states that "the purpose of mind altering techniques is to create one or more of several different possible states in the conscious or unconscious area of the brain. The ultimate goal of controlled offensive behavior might well be the total submission of one's will to some outside force." After discussion of the possible states short of complete submission, which may be the goal of Soviet research in behavior control, the author states, "since the desired end product of this type of research is some change in the human mind, only the non-lethal aspects are discussed in this report. It should be remembered however, that some techniques have lethal thresholds."

In the current round of American behavior control experiments, no allowance is made for legal thresholds. The use of involuntary human subjects provided by the Central Intelligence Agency precludes the necessity for the researchers to consider lethal thresholds and legal consequences. A curious situation has emerged in which torturers and murderers attend our meetings, address us on the failings of our own research and misdirect us with papers on the benign effects of incubating eggs in 60 hz magnetic fields in order to buy time for their own well paid and frequently lethal experiments on involuntary human subjects.

Of particular interest in light of current developments are two paragraphs in the very last chapter which concern a Boston based, CIA front organization, the Scientific Engineering Institute, which still exists not so incidentally. The SEI was initially established to do research on radar. In the 1960's the SEI added a wing devoted to "life sciences" and hired a group of behavioral and medical scientists.

Lastly I would like to site another defense intelligence agency report also prepared by the U.S. Army. It is titled BIOLOGICAL EFFECTS OF ELECTROMAGNETIC RADIATION, RADIO, AND MICROWAVES, EURASIAN COMMUNIST COUNTRIES. It was published by the Defense Intelligence Agency in March of 1976.

The importance of this report rests not on its content, much of which seems to remain classified, but in its acknowledgment of a shift in focus in less than four years from a wide range of behavior control interests to just one, electromagnetic radiation. The date of this report is also significant. It was published just as George Herbert Walker Bush became Director of Central Intelligence. Experiments on

involuntary human subjects were rapidly authorized by the new director, but outside of the United States because of the wrath of congress at that time.

An experiment was begun in Edmonton, Alberta, Canada under the aegis of an American oil company with which the DCI was on friendly terms. It consisted initially of blasting a man's brain with a microwave analog of sound waves for two to three hours a day. This has the effect of producing auditory hallucinations<sup>225</sup>.

A further discussion of events leading up to the present series of mind control experiments will have to wait another occasion in favor of a discussion of the technology of which the United States is now possessed. As I have already indicated, one of the principal features of the weapons system is its ability to produce auditory effects or hallucinations. Using these effects to broadcast defeat into the minds of the enemy was a particular dream of Leonard Peroots of the U.S. Airforce. He hired droves of consultants to tell him how to use a microwave beam to implant ideas in the mind of the enemy and to be perfectly fair, to urge on his own troops to superhuman deeds of valor.

Instead Peroots turned to a man who promised him results. This man remembered the microwave analog audiograms used by Dr. Joseph Sharp to beam auditory hallucinations into his own head at the Walter Reed Army Institute of Research in 1973. He promised Peroots that he could talk a human being to death if furnished with the equipment Sharp had used at Walter Reed, a slave and personal security. This was the origin of the medical atrocities which began in Edmonton Alberta in 1976 under the protection of the Central Intelligence Agency and which continue to this day.

By the fall of 1983 experiments had produced some communications equipment which had far exceeded the simple dream of broadcasting defeat into the minds of the enemy. It is not only capable of producing auditory hallucinations, but visual hallucinations as well. The visual hallucinations have been described to me by a German artist on whom this equipment is being used involuntary as having the quality of 35 mm color slides. Besides these sensory hallucinations, the same equipment can be used to block all sensation. It is being used to distort and even to completely block all senses. With it, the ultimate in sensory deprivation experiments can be performed. There's no peeking under the electromagnetic blindfold this equipment creates. I should mention in this context that the CIA now has at its disposal the most evil, the most cunning torture

---

<sup>225</sup> For an explanation of how audible voices are broadcast directly into the brain, see MICROWAVE AUDITORY EFFECTS AND APPLICATIONS, James C. Lin, PHD, Thomas Springfield, Ill, 1978. Particularly page 176.

devised by any government in all of human history. It is truly Satanic in its moral or ethical implications. It is a torture which is commensurate with the degeneracy of a nation which is prepared and well on its way to polluting all life on earth into extinction. The torture I am writing of I can only describe as thought deprivation. It is used in conjunction with sensory deprivation but it is in fact sensory deprivation times ten to the tenth power. We're all familiar with the sensation of being exposed to very loud noises. They're irritating and we try to remove ourselves from them. We might say, "It's so noisy in here I can't hear myself think."

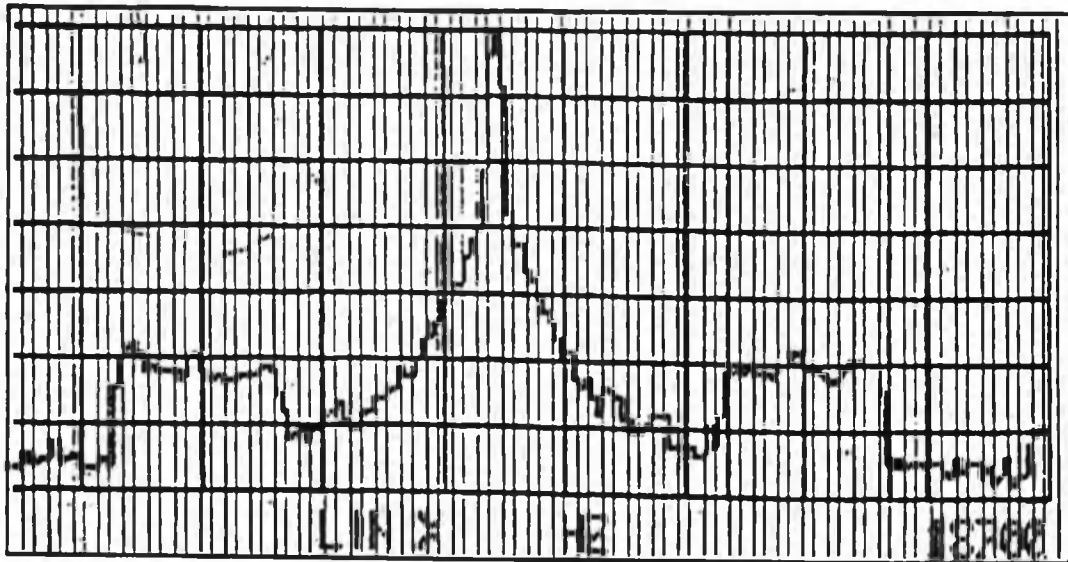
Human beings perceive thought as "audible sound". It is something which we "hear". We "listen" to ourselves think. This quality of listening to ourselves think, of hearing our own thoughts, can be extinguished by this device so that it is not possible to hear oneself think. I have no idea how this effect is produced. It may be accomplished by playing a signal into the auditory nerve at such a high power that it does in fact drown out the "sound" of all thought, but I do not believe that is how it is being done. I do not know enough about the physiology of the brain to explain how it might be done, but the CIA can do it with the mind control technology at its disposal. That is the bad news. The good news is one continues to think even if one cannot hear oneself think. Do not panic. There is nothing to fear. On the other hand, our thought process is the thing that distinguishes man from other forms of life. *Cogito ergo sum*. But *cogito* is no longer necessarily possible. Where does this leave *sum*. (It means I think therefore I am, but if you can no longer think, are you?) Furthermore this communications equipment is able to produce pain. Enormous amounts of pain. Pain is only another nerve signal. And pain is applied in great quantities in the torture regimen. Sometimes the pain is specific and describable. More often it is general and indescribable. It is very much like being immersed in water only it isn't water, it is pain. The pain surges and laps at one like water. I've also described this pain as being very much like having an electric current passing through one.<sup>22a</sup>

---

<sup>22a</sup> Harlan Girard. *INTERNATIONAL COMMITTEE FOR THE CONVENTION AGAINST OFFENSIVE MICROWAVE WEAPONS*, POB 5700, Philadelphia, Pa. 19102-8700.



## Electronic Measurements



This picture shows the frequencies 18.5 - 18.7 KHz which were sent to a brain transmitter. The chart was created by a printer connected to a radio frequency analyzing computer during measurements from a transmitter in a person's skull.

While measuring other persons, the wavelengths were counted at similar values.

Long wavelengths are always used since they work globally at the speed of light, and the frequencies are usually between 15 - 35 KHz.

The information on pages this page and the next is courtesy of a Swedish group researching mind control: Mediaecco, Box 136, 114-79 Stockholm, Sweden, Fax +46 - 8 - 668 60 66.

This is the fourth transmitter in my head and it was inserted in connection with an appearance at Nacka Police station, just outside Stockholm, on 26th November 1975, ostensibly for interrogation. I was locked up in a cell, but after a short while I fall into a deep sleep from which I emerge to an entirely new life. It is during these hours when the transmitter is implanted, and when, I awake I have a seering highfrequency signal at about 100 dB in my skull. This was to plague me for about 16 hours a day for the past 8 years and completely transform my life. It depressed the functional capacity of my right cerebral hemisphere and altered my personality, behaviour and abilities as if they no longer were part of myself. This torture finally ceased during 1983.

**REMOVED**

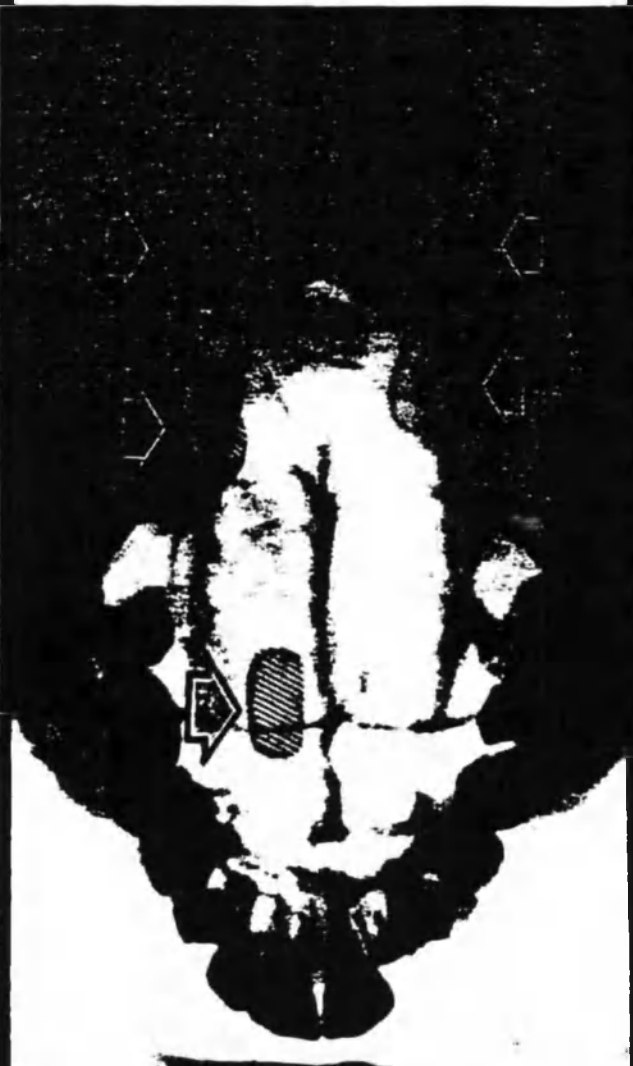
This is the first transmitter implanted in my head: it was inserted during an operation at Söder Hospital in 1967 under the authorisation of surgeon Curt Strand. A great many Swedish doctors, as well as the Swedish National Board of Health and Welfare (N.B.H.W) have refused the presence of the transmitter in radiographs, yet it was surgically removed at a private clinic in Athens in March 1978.

**REMOVED**

After having the 1967 transmitter surgically removed in Athens in March 1978, leaving it for analysis to New York University, I returned home in June only to find myself arrested for fraud. After one month of being detained, a fresh transmitter was suddenly activated; it had been placed so low down in my right nostril that it was possible to feel the top with the finger and visible to a doctor with the aid of a nasal specula, an instrument with which one can inspect the nasal passages. This transmitter was surgically removed in Athens, in 1982 but can be clearly identified on other x-ray pictures.

Professor P.A. Lindstrom wrote in one of his statements concerning this and other x-ray pictures; "I can only confirm that some foreign objects, most likely brain transmitters have been implanted at the base of your frontal brain and in the skull. In my opinion there is no excuse for such implantations. I fully agree with Lincoln Lawrence who in his book on page 27 wrote; "There are two particular dreadful procedures which have been developed. Those working and playing with them secretly call them R.H.I.C. and E.D.O.M. - Radio-Hypnotic Intra-cerebral Control and Electrical Dissolution of Memory..."

This is the third transmitter placed in my head and the first which was embedded in my brain. Without doubt it was implanted while being detained by the police in Stockholm 1973; this was my first period of custody and afterwards I underwent considerable personality modification, a process which had already begun in 1967 but accelerated rapidly towards criminality after the implantation of the second transmitter.



This is the second implanted transmitter; this device appeared under rather unusual circumstances on 10th March 1972

This implantation preceded a period of prolonged torture with personality-altering radio signals 10-20 hours a day and they started communicating directly with my brain. It was then I realised that they could discern my thoughts and, indeed, experience my entire range of cognitive activity. The transmitter ceased functioning almost a decade later and with it the communication with my thoughts and the destructed signals.

This is a detail on an x-ray photograph taken directly from above. In the centre are the nasal passages and the dark semi-circular area are the teeth in the upper jaw. The picture was taken at Karolinska Hospital where all radiographers deny that any foreign object can be identified in this picture. However, there are a number of overseas physicians who testify the obvious fact, that several transmitters can be seen quite clearly.

## 36

### **A SATANIC-UFO REICH?**

**O**peration Mind Control has brought the mental health profession to the verge of a nervous breakdown. Attacked by cryptocratic peers in such organizations as the Cult Awareness Network and False Memory Syndrome Foundation on the one hand and grappling with the techniques of psychiatry and psychology which the cryptocracy has leapfrogged with new technology, the profession can only make the mentally tortured comfortable while it looks desperately for a way to heal them. The healing techniques are in the hands of a few, some of them "deprogrammers" like Mark Phillips who once worked for the cryptocracy and learned the codes cues and triggers and knows practically how the "classical" conditioning-like technology of the cryptocracy comes to work like hypnosis.

The "mental health pros," as we know them, are learning to completely rethink their approaches to healing the victims of the cryptocracy's mind control projects. While insights into what is state-of-the-art of mind control today begins with a study of physics, it is still built upon well-tested patterns of human functions. But, the traditional "let's get in touch with our feelings" kind of therapies are not helpful.

One might begin one's education with a book edited by Karl H. Pribram entitled *Rethinking Neural Networks*.<sup>227</sup>

**Quantum Neurodynamics (QND) provides an explicit, quantifiable model of the mechanisms of consciousness in the higher vertebrates...**

**At the heart ... is the following rather bold hypotheses: *Consciousness of a stimulus is mediated NOT by the immediate neuro-synaptic activation, but rather by some mediator of nonlinear wave mechanics that allows probability to flow in response to the neuro-synaptic activation field...***

**A "personality" is a consistent pattern of responses to stimuli and situations. in QND, the personality of the stochastic filter is**

---

<sup>227</sup> Karl H. Pribram, Editor, *Rethinking Neural Networks: Quantum Fields and Biological Data*. Lawrence Erlbaum Associates, 1993 Hillsdale, New Jersey, 1993.

determined by the locally homotopic mappings of experience onto the neural domain and by the configuration of discontinuities between homotopic domains.

A conscious train of thought consists of a well-formed wave packet propagating within the neural domain in response to a combination of inputs from a number of sources, including the sensory apparatus and the outputs of other domains at various levels of abstraction. Whenever the probability density corresponding to this wave packet produces an expectation that does not compare well with the actual ensemble of inputs, the result is a potential field gradient ( or "barrier", if it is sufficiently steep) that deflects the wave packet toward states associated with less prediction error.

Suppose that when the network's personality is being formed, it experiences a deliberately consistent "diabolical" training in which certain common experiences are interrupted with frustrating or painful intervention. QND learning will encode the painful experience on the trajectory so that it will be properly predicted as a consequence of the prior experience. (Incidentally, QND learning models classical conditioning even though it is simple Hebbian, because of the causal dynamics of the Schroedinger equation.) Whenever the common experience subsequently occurs without the intervention of the diabolical agent, the extreme difference between the expected punishment and the benign experience drives the conscious wave packet away from the states where the pain was stored. This "avoidance" has two consequences, one obvious and the other subtle. The obvious effect is that the deflected wave packet will generate an altered behavior pattern. The subtle effect is that the neurons where the painful patterns are encoded will be prevented from receiving enough probability to allow the patterns to be corrected.

Now suppose that the diabolical training is "extensive", both figuratively and literally. That is, suppose that it succeeds in placing other avoidance patterns into a geometry that surrounds and isolates a large cognitive domain from the rest of the neural network. Subsequently, wavepackets that form in that domain will be trapped there, and that domain will then develop a personality that is distinct from the personality of the exterior domain(s). *But the entrapment is not permanent.* Quantum tunneling provides a mechanism for penetration of the barrier, after which another distinct personality emerges...

A fascinating approach to the human mind. The above dovetails with what we know from practical experience works in Ericksonian techniques and NLP processing. The fact is, here is more fruit of cryptocratic research, right here in

the library for all to see, and few, if any healers have ever read it. Though you can probably be assured the mind controllers have read it.

The saddest truth of Operation Mind Control didn't really hit me until I heard it said by Dr. Colin A. Ross. A psychiatrist, Ross is one of the western world's foremost authorities on Dissociative Identity Disorder, so when he speaks about the corruption of his peers and his profession it is not spoken lightly. He said it to me one morning, long distance over his cellular phone as he drove to work. I knew the facts. I'd written about them in 1978, but the impact didn't come home until I heard Dr. Ross say it:

**"Virtually every leading psychiatrist in North America between the 1940's and the 1970's was involved in some aspect of the CIA's mind control research."**

Dr. K. Obewan ( the pseudonym of a gifted clinical psychologist who was targeted for persecution and prosecution by one of the well-endowed and negatively motivated "foundations") showed me a chart which compared the "history of psychiatry," to the "history of the diagnosis of dissociation" and the "history of mind control." (See part 2 of Appendix E.)

It shows the progress of psychiatry beginning in 1883 with the diagnosis and treatment of manic-depressive insanity and dementia praecox, with hysteria being treated by surgical removal and or cauterization of the clitoris in 1885, and masturbation treated by means of circumcision in 1890. In the history of dissociation it shows Janet focusing on dissociation of traumatic memories while Charcot focused on psychological effects of overwhelming experiences. In 1896-97, the chart shows the first UFO wave began. Is it a coincidence that dissociation came along with the first modern wave of UFO's? Is it a coincidence that the secret MKULTRA research shifted into high gear at the same time as the modern UFO "flaps"?

After reading a very rough and earlier draft of this "researchers edition" of *Operation Mind Control* (which is still rough and seeking your corrections and criticism), Dr. Obewan wrote me a series of letters worth excerpting:

**I believe you are on the edge of understanding planetary paranoia. As a result of the MKULTRA program, problems in mental health have catapulted over the past few years. As a result of the atrocities of that program a new industry has been created within the mental health field -- an industry that is reinforcing *craziness!***

**While being caught up in trying to treat the enormous number of victims coming forth over the past 10 years, the mental health field has failed to recognize or even look at the big picture. I believe we**

have a psychological warfare Trojan Horse that has been developed out of the MKULTRA research...

I've heard the scenario of "O" and countless others time and time again. The only thing that changes is the name of the person identified as the abuser... The danger is that the hate that one experiences directed toward a government or an authority figure is projected onto the mental health professional who is confronting the scenario of rape, human destruction, torture, etc. The blowback effect of these stories is enormous. Doctors are being sued, harassed, driven out of business. They are losing their friends and families. Some have even committed suicide when they have been brought to confront this Trojan Horse.

What is the big picture as far as the US and tort liability goes?

Victims are coming forward en mass to sue for damages and they're winning. With organizations such as the False Memory Syndrome Foundation providing "expert witnesses" to assist lawyers in convincing juries that the victims of child abuse -- MPD's who may have been used by the intelligence agencies -- could not be telling the truth, the cryptocracy's secrets will remain covered. For when the suits begin in the MKULTRA cases, where will they end?

One of the important messages your book can get across is that there are people who really did get zapped by the government. And if not zapped by the "official" government, zapped by renegades or retired government personnel who have acquired a taste for perversions that have been cultivated allegedly in the interest of national security.

We also have dabblers in ritual crime and the mind control technology (which is being printed in underground papers in the music field, for example) which shows people how to alter another's perceptions and personalities. The cat is out of the bag. Our entire society will soon be having fun "playing with each other's minds" using these methods of mind control developed by our government.

The government's real motive remains unrevealed. Perhaps this new mind control was developed to protect our people from the memories of justifiable atrocities they had to commit in the true interests of national security or merely from memories of terrifying alien encounters. Cults ( maybe government cults) sophisticated in mind control have been successful.

It was a shock to all of us to hear what the patients had been saying. Most of us were at a loss until people started publishing reports that these events were being treated under the dx MPD. For years it had been grope and fumble on our own, while the cryptocracy alone had the tools, the codes, the cues and triggers which could heal or enslave the minds of their victims.

I thought a great deal about your book *Operation Mind Control* and how it helps to understand the massive thought control by the government that Orwell wrote about in "1984". The symbolism between the abductees and the ritual abuse survivors (see part 1 of Appendix E) denotes a conflict between values of the old and values of the new.

Although December 2, 1942 was the beginning of the creation of the first self-sustaining nuclear chain reaction which started the Atomic Age, it took us 3 years to use the destructive powers when we dropped the bomb in 1945 on Hiroshima. One hundred years from 1898, when Madam Curie and her husband Pierre discovered plutonium & radium and literally split the first atom, will be 1998 a year of destruction projected by hundreds of thousands of (cult) people, in that  $3 \times 666$  will equal 1998, and the beginning of Armageddon.

Projections from abductees since 1947, when UFO data began to emerge on a large scale after the Roswell incident, are that we have destroyed our environment and that a new breed of humanoids needs to be produced so that we don't self-exterminate. How do we know that the hole in the ozone wasn't caused by the Atom Bomb?

With the creation of the CIA in 1947 our government started a process by which destruction, self-doubt, isolating the truth, explaining away truth, became a way of life as mutual mistrust was a key factor in destabilizing societies. The CIA labeled people as Crazy, Convicts or Crusaders to discredit them when they were used as witnesses or came forward to testify. However, it is the very group of Crazies, Convicts or Crusaders who have come forward with the wealth of information that essentially is behind this book. (Does that include the professionals too, good doctor?). It is this group as a whole that has been exploited and manipulated to gain control of nations and it is this group that has historically been kept "under control" by discrediting, minimizing and humiliating them.

However, it appears that we are at a time of crisis when as the bourgeoisie was once overcome by the proletariat, the CCC's are making an effort to overcome the establishment.

It is difficult to oversee massive movements until they have become so enormous and corrupt that it is impossible to stop them. Since the mentally ill have always been a boilerplate for news and defamation, their early victimization by predators has been harnessed and stepped on by psychiatry, the government, the media for decades. Now that dissociation and various traumas related to dissociation have once again emerged and we find an enormous lobby trying to stomp it out. Unfortunately there is a trail of evidence to support how psychiatry and the government have victimized thousands in medical research to ultimately control mankind. Mind Control research proves that existentialism never existed and that generations of evil belief systems have dominated society for centuries.

The government with the most toys, technology and trainees (slaves) wins. The ultimate goal to this is through Mind Control - in the ultimate double think society.

Dr. Ross<sup>228</sup> underlines Obewan's experiences with the mental health environment. In his compelling book *The Osiris Complex* Ross writes:

"There was always doubt about the reality of the stories Margaret told. For instance, one of her alters had a clear memory of aliens coming into her apartment, impregnating her, coming back some months later to remove the fetus, then returning years later to show her the half-human, half-alien child they were raising among the stars. This alter was mortified when I raised the possibility that the aliens were possibly not literally real: she cried profusely, and said I had ruined the therapy and her chances of recovery forever by doubting her.

"Margaret made this claim before I had heard about the current epidemic of UFO abductions. I did not realize, when I heard Margaret's story that thousands of people in North America have similar memories. Many of these people probably have complex dissociative disorders, but many appear to be otherwise normal. The only lesson I learned from Margaret in this regard is that expressing doubt damages the treatment alliance: whether failing to express doubt reinforces a delusional disorder, I don't know. One's view of this issue will hinge on whether or not one believes in the reality of UFOs, alien abductions, and related phenomena.

---

<sup>228</sup> Ross, Colin A., M.D. *The Osiris Complex, Case-Studies in Multiple Personality Disorder*, University of Toronto Press, Toronto, Canada 1994.



"If the abductions are real, it would appear that the human race is being used as breeders, with amnesia for the human participation implanted hypnotically by the aliens. Other alters of Margaret's told me that they had been ritually abused in Satanic cults, and that these cults used women as breeders of babies for sacrifice. According to the current folklore in the dissociative-disorders field, these cults practice mind control and the creation of amnesia, much like the aliens do. Margaret taught me that there is a connection of some kind between UFO abductions and the use of women as breeders for Satanic cults. What is the connection? I don't know.

"In thinking about what was real in Margaret's stories, and what fantasy, it was not easy to determine where to draw the line. I don't want to make the kind of mistake 'good Germans' did who looked the other way and pretended Auschwitz didn't exist, if there is a Satanic Third Reich active in North America today. On the other hand, I don't want to be the dupe of mass hysteria and urban legend. What to do? What to believe? I don't know."

Dr. Obewan further commented on the experience of working in a clinical setting in a California hospital treating MPD patients:

In general, whenever we called the FBI to report Satanic ritual abuse of someone, there was no interest shown. They'd take a report over the phone. But when we told the FBI that an individual had been ritually abused by a Nazi cult, an agent would be down to get all the details.

Dr. James P. Viken<sup>29</sup>, of Minnesota pulls no punches. A psychologist who has been working with "some (mind control) victims of abuse by U.S. Intelligence agencies" he says he "made a number of startling, disgusting discoveries." He discovered that drugs were being brought into the U.S. by government agencies. That there were domestic "Hit Squads" in the Department of Defense, the Department of Justice, the Federal Bureau of Investigation, the Central Intelligence Agency, and the U.S. Customs Service. He has uncovered evidence of the "CIA's and FBI's paedophile kidnapping rings used to compromise politicians, diplomats and corporate CEO's." His efforts to bring this to the attention of the proper authorities so far has come to naught. Dr. Viken writes, "We've tried to talk to the local law enforcement agencies, the FBI and the CIA. Nobody wants to hear anything about any of this."

Dr. Viken contacted me in hopes that I could verify the authenticity of documents entitled the COM-12 Briefings. (See Chapter 37). Viken's tone was one of

---

<sup>29</sup> Letter dated September 29, 1994 followed up by a phone call to the author on October 3, 1994.

frustration and despair. We compared notes and agreed that maybe Goethe was right when he said, "Danger fosters the rescuing power."

Clinical psychologist Dr. Randy Noblitt<sup>230</sup> was the first psychologist I heard accurately describe the mechanics of the programming he was confronting in his patients. A former Air Force psychologist, Noblitt said that like most students in graduate school he believed that "hypnosis couldn't make people do things they wouldn't normally do." He was trained in hypnosis and used it in his practice which consisted mostly of patients who were diagnosed as having "Borderline Personality Disorder." After the diagnosis Multiple Personality Disorder entered the diagnostic manual, Noblitt realized that a large number of the patients he saw turned out to be MPD's. "When I started," Noblitt said, "I believed that MPD was a crock. It was too bizarre. It had to be something fabricated by patients and spacey therapists. And then I had never seen an MPD person." Noblitt said he was guilty of doing what he's since witnessed so many of his peers do, remain closed minded to MPD. He also said, the MPD phenomenon is so difficult to treat that "...there is a tendency among therapists to walk away from this."

Noblitt said that it's not uncommon to find therapists suffering from "Secondary Post Traumatic Stress Disorder."

It's not unusual when psychologists get together to hear them talk about not being able to sleep. "I don't look at the moon the way I used to. I once thought it was beautiful, now I think it's something evil..." ( because many of the cult rituals happen at the full moon)... There are changes that occur when you hear horrible stories day after day. For many clinicians this is something they are unwilling to work with... but it's a burden we all must carry...

After California passed laws requiring psychologists to report whatever a patient tells them which could indicate child abuse, the misinterpretations and systemic failures began to take its toll. Parents were jailed -- innocent or guilty, it mattered not. The patients were not made the better by the law. A top notch psychotherapist who was accused of manipulating a patient by implanting "false memories" wrote us. Her comments illustrate the Post Traumatic Stress Disorder Noblitt describes:

I sit here shaken and depressed, feeling intimidated and frightened. I have little faith in a system of justice and a system of balances for a world which I once believed in. Friends have told me that my depression is speaking for me. I know that if this is a depression, it is the most hopeless and helpless feeling of despair that I have ever felt. If this is the feeling that my patients had when they came to me, and they are the hapless victims of external threats and abuses like I have

been, then I too suffer from the same malaise I once tried to help my patients with.

How could this happen in a system of democracy and a system of justice? I was lead to believe that our system was the basis for a free world called America.

Could it be that the person who relegated me to be the contact person within a therapeutic relationship only wanted to show me how bad it really was?

Once these patients reveal an abuse that falls within the "reportable Laws" which include suspected child abuse, the relationship changes. The therapist is always faced with the dilemma of whether or not to report the abuse. Should the therapist not report the abuse then they are responsible legally. And, should they report it, they are responsible morally. So, once the alleged abuse is brought out into the open, then it becomes a problem.

If you are accused of abusing your child, by your child, you are protected by several groups and courses of action. But, if you are a therapist who conforms to the law and makes a report on child abuse, the therapist becomes the one accused of wrongdoing. "They hypnotized the patient and put false memories in their heads."

There is something very wrong here because there are really no laws to protect the therapist who is wrongfully accused.

There is neither protection for the therapist from the cults or the cryptocrat controllers. In 1992, Dr. D. Corydon Hammond, an advising editor to *The American Journal of Clinical Hypnosis*, recipient of the 1989 Presidential Award of Merit from the *Journal of Abnormal Psychology*, a recipient of a host of degrees and honors and a member of all the prestigious societies, gave a speech originally entitled "MPD: Ritual Abuse." It was known in the ritual abuse lore as "The Greenbaum Speech". I'd heard about it and had tried to purchase it, but it had been taken off the market. I found it years later on the Internet.

I called his office and asked Dr. Hammond if I could reprint the speech since I believed that it was central to the beginning of a real approach to deprogramming the so-called Monarch Victims. I told him I wanted to check the authenticity of the paper I'd found on the Internet. He said, "I own the copyright and I have withdrawn that paper from circulation."

I asked him why he'd done that, and he hesitated a moment before he told me that he didn't want any attention called to him, since, shortly after he gave the so-called "Greenbaum speech" his family, his wife and child, had received serious death threats. ( I curbed my presumptuousness. I didn't tell him that kind of

thing goes with this territory. I didn't insult him by reminding him that fear is the weapon the cryptocracy uses to divide us from ourselves and each other.)

Then, Randy Noblitt came across the kind of trauma-based programming that the survivors have been describing in this book. He was talking to four patients who had been ritually abused and he mistakenly used the words "deeper and deeper" in a non-hypnotic context. One of the patients objected, telling him not to use those words, but he didn't understand what he was trying to tell him and he used them again and again and pretty soon all four of the patients he was talking to were asleep. He tried to wake them up, but they wouldn't wake up. One slept for hours. Everything he knew as a hypnotist that would bring a patient out of a trance wouldn't work with these patients. He talked with them separately the next week and discovered they had been classically conditioned. In an encounter with one patient he pressed her on how classical conditioning was accomplished. She tried to avoid the subject, but when he kept pressing her:

...an alter personality came out and said that she remembered being a little girl who had been cut on her wrist. And as they cut her the people were saying, 'deeper and deeper and deeper' with each cut. This was not hypnosis. This was classical conditioning. What they were doing was taking a traumatic experience, which she described as a state of shock or trance, deeper than normally hypnotherapists produce, and then pairing a word with that. Now, if they wanted to, the cult people could even use the word in conversation and this person would start getting trancey.

I asked her then, why was I unable to bring people out of this trance? And she said, 'You didn't say it the right way.' There was a specific formula for getting her out of the trance. This was a cult induced trance. You just don't get someone out of it by suggestion, there's a specific formula. And she told me what the formula was.

So then I thought I would go back and cross validate this. I would go back to each patient and see if indeed they did trance if I used this word in my normal conversation -- and there were a couple of other words too. Then, could I bring them out with the formula she gave me. I did not tell them in advance what I was up to because I didn't want to put any ideas in their heads. I went back to each patient... and I said the word in conversation and they each went out. I then used the formula for bringing them back. Well, to me, this was my first inclination that there were mind control techniques I had never heard of in graduate school.

When I was in graduate school people said that hypnosis was not a technique that could make people do things that they would not normally do. And I believed that. I had never seen anyone go out so

deeply that I thought they would do something their conscious would not normally allow.

Additionally there was a famous psychologist and hypnotherapist named (Ernest) Hilgard who described giving a female student a hypnotic suggestion that he would take her out to a beautiful meal and she would not be able to eat it. He took her out and she sat down and ate the meal anyway. Hilgard used this to prove that hypnosis was really not that powerful. And I believed that. Interesting enough Hilgard is one of the people on the Board of Advisors of the False Memory Syndrome Foundation.

But this (classical conditioning his patients taught him about) was something entirely different. I then began to explore something that the patients and some of the therapists have been calling 'programming'. Programming can be distinguished from 'hypnosis' and from what has been called 'brainwashing.'

Noblitt went through an elaborate process of 'cross-validation,' which supported his discoveries in a clinical setting. But, according to the research we've done, there is another sort of programming, something that goes far beyond anything Noblitt describes or anything that most therapists are familiar with.

It would appear that the cryptocracy is making rapid leaps in mind control research. But apparently everyone would not agree. Admittedly the following comment is a few years old, but here's a bit of dissent about the possibility of what the E.M. Target survivors are describing. Alan Gevins, (in 1986) the chief scientist of EEG Systems Laboratory in San Francisco is quoted in Judith Hooper and Dick Teresi's book *The 3-Pound Universe*<sup>231</sup>:

If anyone could create a brain-eavesdropping device, the EEG systems Lab could. And it can't even if it wanted to. Gevins even objects to using terms like 'decoding' in connection with the dynamic, probabilistic processes of the brain. "I've been asked a bunch of times, Is there a code in the brain for the word *dog*?" He says, "I think people have seen too many spy movies. First of all, the brain probably doesn't work that way. It isn't a deterministic machine with an invariant code; it's statistical, probabilistic. And if the brain *did* work that way, I can't imagine the kind of instrument you'd need to resolve it. If there *were* unchanging codes for the word *dog*, there would be hundreds of them, corresponding to all your different associations with *dog*. And they might be scattered all over the brain. Do you know how many billions of bits of information would be required *each second* to pick out something like that? And the number of contaminants that would interfere with it..."

<sup>231</sup> Judith Hooper and Dick Teresi, *THE 3-POUND UNIVERSE, The Brain - From the Chemistry of the Mind to The New Frontiers of the Soul*, Dell, N.Y. 1986.

"As for all this stuff that gets into the *National Enquirer* -- you know, CIA MAKES NEW MIND CONTROL DEVICE -- people get awfully paranoid about this, because it concerns the mind and the spirit, the last resort of privacy. But it's pretty farfetched. Not that people won't try to, but it won't work. A person can just grit his teeth, and the whole thing is screwed up. Television works much better for mind control than EEG techniques...

But in 1994, there is serious new thinking going on about mind-machine interface. It would appear that there's interest in using computers to help create Dissociative Identity Disorders. Dr. Karl H. Pribram again:

Analog VLSI Network Models,  
Cortical Linking Neural Network Models,  
and  
Quantum Holographic Neural technology<sup>22</sup>

Quantum neural holography is implemented in a program which bridges the gap between neurophysiology and models of neural network engineering. The thrust of the program is to describe mathematically the neurodynamical functional connectivity of analog association among stimulus-evoked coherent neural wavelets. It represents the basic function of cortical neural network models. Quantum neural holography represents a fundamental change from the standard connectionist models used in Artificial Neural Network (ANN) theory in that it reconciles the linear highly nonlinear dynamical systems aspect of neurodynamics...

ANNs are fascinating objects where many different structures meet with highly interesting applications in machine vision and robotics...

The results of this "theoretical science" could be what we're hearing described by those who are E.M. Targets or "Wavies". Maybe the rescuing power to this technology resides in U.S. Patent # 616-183, June 1, 1984, by H.K. Puharich, "Method and means for shielding a person from the effects of ELF magnetic waves". And maybe this technology will fall into the hands of a group like COM-12. If there is such a group as COM-12 it must be staffed by younger versions of people such as L. Fletcher Prouty, Legion of Merit honoree, a valiant warrior in any age, whose heart was literally broken by petty souls heaping disgrace and dishonor upon the noble American experiment.

Col. Prouty, the "Man X" played by Donald Sutherland in Oliver Stone's film *JFK*, has seen the crytocracy grow from its beginnings in World War Two. Much of his work is described in *The Secret Team*, a must-read for any student of modern

U.S. history. In his more recent book, *JFK, The CIA, Vietnam and The Plot To Assassinate John F. Kennedy*,<sup>233</sup> what he writes about the power elite applies to those who are behind the uses and abuses of Project Monarch as well as all the other projects of MKULTRA:

Men in positions of great power have been forced to realize that their aspirations and responsibilities have exceeded the horizons of their own experience, knowledge, and capability. Yet, because they are in charge of this high-technology society, they are compelled to do something. This overpowering necessity to do something -- although our leaders do not know precisely what to do or how to do it -- creates in the power elite an overbearing fear of the people. It is the fear not of you and me as individuals but of the smoldering threat of vast populations and of potential uprisings of the masses,

This power elite is not easy to define; but the fact that it exists makes itself known from time to time. Concerning the power elite, R. Buckminster Fuller wrote of the "vastly ambitious individuals who (have) become so effectively powerful because of their ability to remain invisible while operating behind the national scenery." Fuller noted also, "Always their victories (are) in the name of some powerful sovereign-ruled country. The real power structures (are) always the invisible ones behind the visible sovereign powers."

The power elite is not a group from one nation or even of one alliance of nations. It operates throughout the world and no doubt has done so for many, many centuries.

These leaders are influenced by the persuasion of a quartet of the greatest propaganda schemes ever put forth by man:

1. The concept of "real property," a function of "colonialism" that began with the circumnavigation of Earth by Magellan's ships in 1520. A "doctrine of discovery and rights of conquest" was described by John Locke in his philosophy of natural law.
2. The population theory of Malthus.
3. Darwin's theory of evolution, as enhanced by the concept of the survival of the fittest.
4. Heisenberg's theory of indeterminacy, that is, that God throws the dice, and similar barriers to the real advancement of science and technology today.

Add to this list the Alien thesis, that which is reported by the Monarch survivors and explained as mere "screens" and "scrambles" by their deprogrammers, similar

---

<sup>233</sup> Prouty, Col. L. Fletcher, *JFK, The CIA, Vietnam, and the Plot to Assassinate John F. Kennedy*, Birch Lane Press/Carol Publishing Group., New York, 1992.

to the thesis Zecharia Sitchin<sup>234</sup> gained from the ancient Sumerian texts -- humanity came from the stars, most likely genetically engineered in a time before recorded history, -- or as novelist-cum-abductee Whitley Streiber writes in his four book series starting with *Communion*<sup>235</sup>, or as described by the 78-year-old Army veteran who spoke out for the first time in 1994 about his experience of guarding the "airfoil" wreckage at Roswell, New Mexico in 1947 -- what if we actually have been contacted by "little men."<sup>236</sup> Or, what if we're just being programmed to believe we have made contact -- either because it motivates us to defend ourselves and thus makes us work harder, or we actually have made contact, a long time ago, and we're being spoon-fed the programming so that we won't panic like a herd of skittish antelope.

The "mental health industry" is involved in all of the above. But there is brutal infighting and apparent outside intervention in the "industry" so that what once was the domain of pure science is often the battlefield of covert politics.

One part of a person suffering from DID told their therapist all the lurid and traumatic incidents of ritual abuse involving sadistic sex, terror and degradation as a child in the hands of a satanic cult. Another part of the same person told the therapist about being abducted aboard a UFO. In a child's voice the patient told the therapist all the usual things abductees say, there were no light bulbs on the ship, but the room was well lit. The aliens had big heads and big black pupilless eyes. They spoke "telepathically" without moving their lips and told her that "humans will not be allowed out of their play pen because they don't know how to play with other children. We are handicapped children," the child alter said, "we are not able to hear each other's inner thoughts or feel each other's inner pain. Until we can do that, they will not let us get out of our play pen. When we can feel each other's pain, we will be able to heal each other. Then we can come out and play with the others."

According to Dr. Jim Viken, there's no use turning to law enforcement agencies for assistance, as the cryptocracy's shadow falls even over small towns. And he wonders if, looking at all the advanced technology he's been hearing about, if more advanced alien intelligences aren't leading hypnoprogrammed Delta Forces who is it that will drive humanity over some global cliff in a buffalo-like Armageddon.

Remember what Goethe said: "Danger fosters the rescuing power." If there is a hypnoprogrammed army, it can be controlled by anyone with the codes, cues and triggers. And there would appear to be hopeful signs of rebellion from the

<sup>234</sup> Sitchin, Zecharia. *THE EARTH CHRONICLES, The 12th Planet, The Stairway to Heaven, The Wars of Gods and Men, The Lost Realms, Genesis Revealed, When Time Began*. Avon, New York, 1976-1994.

<sup>235</sup> Streiber, Whitley. *Communion, Transformations, Majestic, Contact* (working title). Putnam's, New York, 1987-1995.

<sup>236</sup> Ecker, Don. *Tale of New Roswell Witness*. UFO Magazine, Sunland, Ca., Vol. 9, No. 5, 1994.



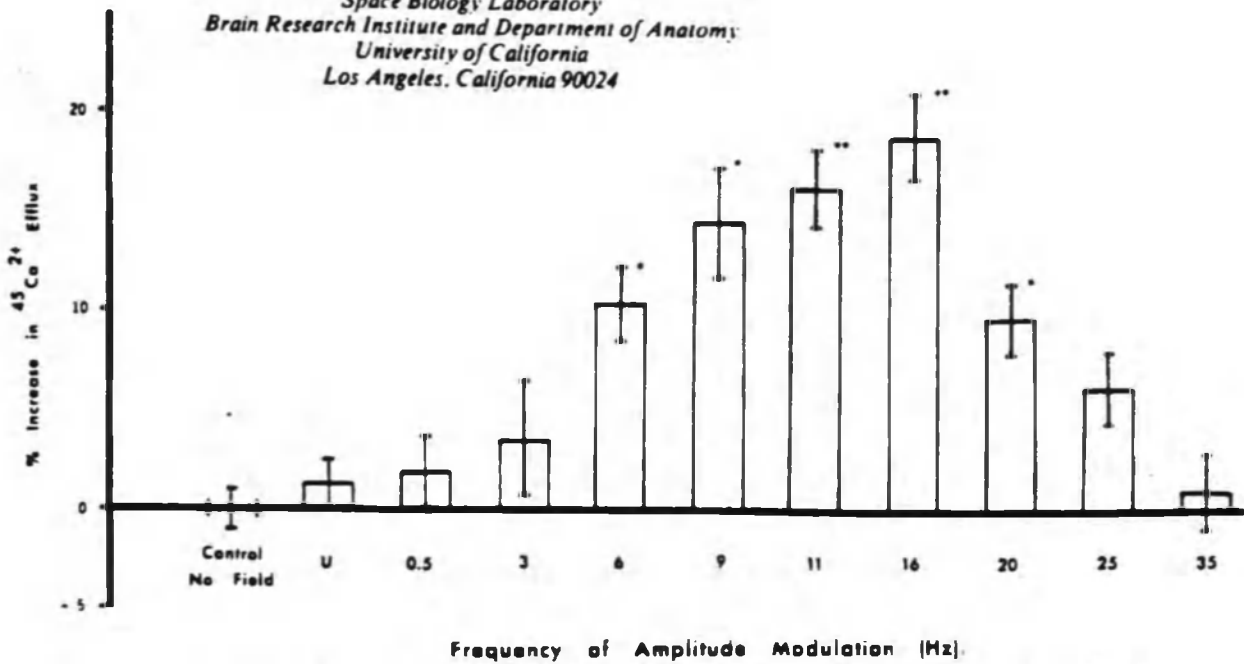
citizenry, even within the cryptocracy's ranks. The Internet stories say that the news of a "militia" march on the Michigan State Capitol was suppressed from the national news. On United Nations Day, the "Militiamen" made demands of the governor and took the United Nations flag down from the flagpole upon which it flew. News coverage of similar events which occurred in 11 states has been blacked out. A photocopy samisdat publication circulated by hand carried "briefings" on mind control from a group known as COM-12.

EFFECTS OF MODULATED VHF FIELDS ON THE CENTRAL NERVOUS SYSTEM\*

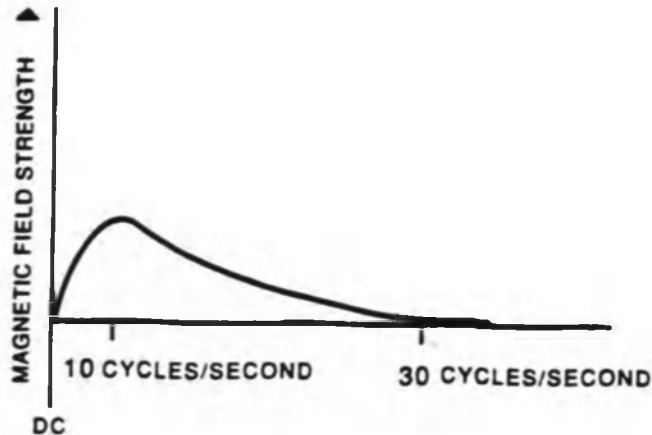
S. M. Bawin, L. K. Kaczmarek, and W. R. Adey

Space Biology Laboratory  
Brain Research Institute and Department of Anatomy  
University of California  
Los Angeles, California 90024

Annals New York Academy of Sciences



Effects of amplitude-modulated 147 MHz vhf fields on the <sup>45</sup>Ca<sup>2+</sup> efflux from the isolated forebrain of the neonatal chick. The results, given  $\pm$  SEM, are expressed as percentage of increase of the calcium efflux, by comparison with control condition, in the absence of fields. \*,  $p < 0.05$ ; \*\*,  $p < 0.01$ .



The frequency spectrum of the geomagnetic field. The DC component is much stronger than the micropulsations, which stretch from just above DC to about 30 cycles per second. Note that the strength of the micropulsations is greatest between 7 and 10 cycles per second.

## 37

### THE COM-12 BRIEFING

Almost simultaneous with the founding of the modern cryptocracy and the passing of the National Security Act in 1947, if the rumors are to be believed, there came to be a faction working within the secret agencies of government to restore the Constitution. It is claimed that this group has been fighting a resistance from within the cryptocracy against the Nazi group known as the Aquarius Group (AG) which came to cluster around the Gehlen/Nazis taken to the breast of the American intelligence community at the end of World War II. While our sources beg for anonymity, they tell us they have been known as the Guardians of the Eternal Flame or The Rowboat Magicians. To my knowledge, only twice has this group communicated with the general public, then not "officially" but through documents "leaked" or "planted" in the *samisdat*. Then they called themselves Com-12.

In the spring of 1992 they issued a 50-page briefing document entitled: *Mind Control Operations/ Aquarius Group Activities*. Since a large part of this briefing document was based on my original research and John Judge's research and, in essence followed the history which appeared in the first edition of *Operation Mind Control*, I feel I can't go wrong in highlighting the document operating under the assumption that there's at least a slim chance there's some substance behind it.

I must warn you, however, I have found no researcher who will validate it's source, and in fact paltry few admit to ever having seen this document. My single letter which was supposedly passed by hand to parties involved in the Com-12 group got no reply. The *samisdat* is filled with so much garbage and plagiarized information that this document appears, by comparison, well written, if flawed. Names have been changed (deliberately I've been told), for some reason, perhaps to have deniability built in. That is not to say, that cryptocrats can spell any better than bureaucrats, nor do they gather information any better, relying often upon rumor and gossip in their secret reports which your tax dollars purchase.

The Com-12 briefings could be nothing more than a well-thought out round-up of information from open sources circulated by some patriot group who is using

this apparently clandestine briefing to make its members think they are on the inside. Or it could be a clever piece of disinformation circulated to give false hope to the belief that there is a group of "good guys" working within the cryptocracy against the Nazi "bad guys." The old saying, "If you're not part of the solution, you must be part of the problem" might apply in this case, since many will believe that the ends don't justify the means -- that anyone who even pays lip-service to any activity committed under the unconstitutional National Security Act takes part in tyranny. Everyone would agree, however, that the document is well thought-out, and as far as is known, is generally accurate.

It does fit the pattern we've seen with so much information concerning the cryptocracy, the pattern which has been so obvious for 50 years with the UFO question. For every bit of information that supports a line of thinking, there's another bit which would be cast down upon it. For every "yes" there's a "no."

Thus you might want to look upon the *Com-12 Briefing* as (take your choice): 1. Authentic confirmation of independent research 2. Validation of some information gathering procedures and sources. 3. Containing some hints toward future activities of the cryptocracy. 4. Disinformation containing cleverly hidden items that will confirm our mistakes and lead us astray from the most vital areas. 5. The complete fabrication of some "patriot group" hoping to curry favor with some audience by posing as if it's "in the know."

The *Com-12 Briefing, Mind Control Operations* begins:

The information to follow is meant to be an outline to give PSYOP personnel a brief background and introduction into modern PSYOP warfare techniques. Our purpose in briefing COM unit personnel is to educate concerned team members in sources and methods of early Mind Control procedures and the latest projects and operations dealing with Mind Control at present-day capabilities.

Aquarius Group Operations (AGO) is the primary control group of these Mind Control procedures. However, COM Group Operations has developed highly advanced radio, electronic, magnetic, and microwave warfare defense procedures which, in turn, allow for offensive measures which can be activated. While today the methods and modes of operations in our history, there are basic precautions and countermeasures which may be implemented to diminish, obstruct or deflect these offensive measures used on behalf of AGO/CIA personnel units against COM units, personnel or civilian population bases.

Mind Control procedures in their infancy involved rather crude and blatant processes using hypnotic-programming, thereby allowing the conscious mind to be aware of at least the original process of

programming through hypnosis. While greatly successful in some cases, these early methods had a high failure ratio when done in large population bases. The original studies and subsequent operations did allow for the U.S. Army, Navy, Air Force, and related intelligence departments to field test and observe those methods which obtained the highest success levels and to subsequently incorporate them into today's modern Mind Control apparatus.

Through years of field experimentation, a large number of chemical components were utilized in these operations. It was verified that ingestion and/or exposure to certain chemicals and drugs (polypharmaceuticals) greatly enhanced the hypnoprogramming operations. The most successful of these tests are still used even today in some areas of enhancement or, if applicable, elimination of certain memory areas in personnel involved in highly sensitive or "Need to Know" areas of government or contract employment. With the same procedures used to eliminate memory, an individual's memory can be instantly recalled and even enhanced, according to the need of the agency to maintain strictest confidence in a desired area.

The Radio and Electro-magnetic Mind Control procedures are the latest and most effective methods utilized to date. Electro-magnetic, Radio Wave, and Microwave Pulse/ Mind Warfare has great advantages in that a desired subject or population has no knowledge of the procedure being implemented. With no conscious realization of the process being used, there is no subconscious realization of the same. This particular factor is greatly appreciated by agencies involved in areas of Mind Control and Manipulations because there is no risk of physical, person-to-person contact or action between agency personnel and the desired subjects. These procedures are not only much more reliable and successful than earlier methods, but they allow those implementing the manipulation to maintain complete anonymity.

Through years of testing the administration and saturation of certain chemicals and biogens within the world's population bases, these modern methods' ratios of success are almost absolute. Chemical and polypharmaceutical saturation has been achieved over the past twenty years of implementation with this purpose in mind and is achieved through purposeful covert introduction into population areas. In some cases, this is achieved by deliberate overt introduction through exposure or consumption on behalf of the population because of everyday usage of public water supplies, airborne pollutants and chemical agents in a wide variety of foodstuffs.

The following will outline Mind Control procedures from post-world War II to the present. The objective of this briefing is to make all COM personnel and some population bases in civilian structure aware of projects planned for full implementation between 1990 and 1995. These procedures will allow AGO and other world intelligence groups within the "Circle of Seven" alliance to achieve their goals of an unarmed, docile and compliant world population, if not prevented from doing so.

It is thought that the "Circle of Seven" referred to are individuals much like *Spector* in James Bond films, a group of powerful individuals from the international intelligence community who run a clandestine organization which answers to no one. To call it "organized crime" would not do it justice. "Organized criminal-cryptocracy" might be closer to the truth. A counter-cryptocracy like COM-12, as far as we can tell, are the white knights fighting from within against the black knights of the Aquarius Nazi group.

The briefing document continues:

In the late 1940's, Dr. Bernard C. Gindes was hired by the U.S. Army G-2 Intelligence Group to undertake an experiment in amnesia. In the experiment, a soldier with only a 7th-grade education memorized an entire page of Shakespeare's "Hamlet" after listening to the passage twice while under hypnosis. When he awoke, he had absolutely no remembrance of the hypnotic experience. At biweekly intervals, he was brought in and given the post-hypnotic suggestion which would trigger complete recall. For six months, he was able to repeat the entire page without even a single error.

In another experiment, half a dozen soldiers were brought in to test the validity of increased prolonged memory retention. The soldiers were hypnotized as a group and were then given a series of 25 words devoid of phonetic consistency. They were allowed 60 seconds to commit the list to memory and were given a "trigger" to recall the list. In the wakened state, each man was asked to repeat the words but none of them could. At that point, all of them were allowed to see the list. None of them could recall any prior knowledge of it even while viewing it in a conscious state. However after 60 seconds of observation, the list was taken away and the "trigger" was given. At that point, each man recited the list in the exact order in which it was given. This was our Mind Control capability in its infancy in the 1940's.

One of the largest projects undertaken by both the CIA and the Office of Naval Intelligence involved methods which could be implemented to block the previously hypno-programmed behavior from being uncovered by another hypnotist, whether by accidental or purposeful

means. The necessity of this extensive project was due to an embarrassing situation which developed for the intelligence community when the previous programming of an individual by the name of *CANDY JONES* was uncovered accidentally when her husband took her to a licensed hypnotherapist in an attempt to help her overcome a severe case of insomnia.

This part of the briefing covers in large part that which we've already covered, and what Candy herself told via Don Bain in *The Control of Candy Jones*. What we'll repeat of the Com-12 briefing is only that which expands or elucidates the story as we know it. (Keep in mind the claim of UFO-buff Jim Moseley's that Candy's story is entirely false.)

During Ms. Jones' sessions with the (CIA) hypnotherapist, it was discovered that some type of heavy hypno-programming had been done on her. A series of sessions to regress Ms. Jones were arranged. These sessions were taped and are the source of the majority of this information. This information took several years to be fully unmasked. When the CIA became aware of her visits to the hypnotherapist, it decided it was no longer in need of her services and, as procedure dictates, it arranged for her to commit convenient suicide. These regression revelations were also what the CIA and ONI experts used as a catalyst to study and develop procedures of hypnoprogramming which could not be discovered through hypnosis...

The COM -12 briefing calls Candy's first hypnotist Dr. Groelisch and her second Dr. Brenner. We believe these are not the real names of her hypnotists.

Following the story much as we told it in Chapter Eight, the hypnotist, using the personality of Arlene Grant, sets Candy up to commit suicide in the Bahamas. Skipping the first part of the Q and A which are supposed to be transcripts of actual sessions from the classified CIA files, the briefing comments:

It is not known to our agency what the exact trigger was, but this is not important. At that time, it is quite likely that a strange phrase (whether in English or a foreign language), music, or tones or coded electrical rhythms was to be used. It is known, according to agency files, that the plan was for Dr. Groelisch to make the call himself. It is also known that the trigger would implement a procedure which would have Candy walk from the hotel to a high cliff area located less than a quarter of a mile away. Candy was programmed to then jump from the cliff at that location.

Candy Jones, of course, did not commit suicide. Her control personality overrode the programmed Arlene. The briefing document said:

In review of this briefing, it should be noted by the respective agent, the advantages and disadvantages of this particular type of procedure. The created and enforced personality of Arlene Grant had assumed such a degree of autonomy as a separate personality that Dr. Groelsch had convinced her that she would not die with Candy if the suicide program had been completed. This is a good example of what success an operation can have in developing a completely self-sufficient and determined alternative personality, especially when taking into consideration today's frequency and chemical manipulation.

It was under the Reagan Administrations and Bush Administration that many of these advanced methods were implemented to control the leaks and security breeches in the federal government. The National Program Office (NPO) was very successful in administering such procedures for various intelligence and industrial (military) interests.

In addition to the CIA courier training, it was uncovered during Ms. Jones' de-programming that some additional training of sorts by the CIA had also been given to her. In particular, a type of training which would take a previously non-prejudiced individual and instill in them an absolute hatred for a chosen religious or ethnic personage. This was particularly common in the Mind Control training of assassins and insurgents.

In a de-programming session recorded April 10, 1974, Arlene emerged in an especially angry and hostile mood. Arlene berated Candy for several minutes and also attacked Candy's mother in a verbal tirade which questioned her mother's sanity. Arlene took great pride in relaying how she and Candy had visited Candy's mother in a hospital and how she (Arlene) had succeeded in greatly upsetting Candy's mother by verbally attacking her. During this session, Arlene began to display an obvious dislike toward Jews as she went into a tirade over all the "Kike" doctors which were at the hospital. After 15 minutes into the hypnotic session, Arlene bragged that Dr. Groelsch had told her all about "filthy Jews". She said it was "thanks to him I was able to realize what Jews are really like."

Candy was also questioned during this session, uncovering other details.

Dr.: "What ethnic groups does Dr. Groelsch consider bad... or dangerous?"

Candy: "Oh... the Jewish people, of course. He called them "kikes." And also the "American Niggers," as he always called them. You know, it was funny... he was a German Jew himself, but he became



enraged whenever I would remind him of that. He told me there was a difference between some German Jews and other Jews."

Dr.: "Before you met Dr. Groelsch, how did you feel about people of the Jewish faith?"

Candy: "I didn't really feel anything. It wasn't really ever something of personal concern, you know? I mean, before I worked for the Agency (CIA), I had many Jewish friends and business associates."

This information will fall into place as you reread the Monarch Corroboration chapter and the other related chapters.

...It was discovered that Candy had made several trips to California to attend some classes of Dr. Brenner's. The classes referred to were classes regarding ethnic cleansing and racial purity. During one of the de-programming sessions, it was also uncovered that Dr. Brenner also held seminars on hypnosis.

Dr.: "Did you attend many of Dr. Brenner's lectures in California?"

Candy: "Yes."

Dr.: "Is it a class which teaches ethnic hatred?"

Candy: "It's just his regular lecture. The same thing all the time. He also gives lectures on hypnosis."

Dr.: "What does Brenner generally say in his 'ethnic' group classes?"

Arlene: "I don't know... he said I should be careful in what I say to certain types of people."

In a session recorded on April 13, 1974, Candy, while under hypnotic-regression made several remarks concerning the fact that she believed all black people had a peculiar smell. It became apparent that this particular early case of Mind Control involved previously unknown or unestablished hates or dislikes against other ethnic races, and developing hostilities where they had not previously existed. The agent or personnel previously involved with Agency operations of Mind Control and Thought Manipulation will be able to identify the operational similarities to some of the M.K. Ultra operation training. During outside testing, Candy had very high ratings on "scent tests" given her. This is largely due to the emphasis which her hypno-programmers for CIA operations had instilled in her regarding the particular "odors" given off by certain ethnic groups.

Additional sessions revealed that the racial prejudice was programmed at the first opportunities with Candy Jones. It was during World War II when both Candy and Groelsch were in the South Pacific. Candy was told that she must be extremely

cautious around Jews and Blacks and that they must be closely observed for any clues as to what their true motivations and actions might be.

The ability of even this type of the earliest Mind Control experimentation should not be underestimated. According to many, (But not all) of the subject files, many people who were chosen without their knowledge or consent, were purposely selected because they showed absolutely no prior prejudices against any particular race, religion, etc. This was done to demonstrate the ability for success of these early programs to therefore encourage future program funding for this area of applied technologies under the auspices of the CIA and Military Intelligence, particularly that of Naval Intelligence and S-Force Operations.

It is quite apparent from agency files that in the Candy Jones operation, she certainly had no ill intent or racially motivated actions prior to the Mind Control operation. This is obvious, among other reasons, because the modeling agency that she owned and managed was one of the first agencies to actively promote and use of Black models. Her close circle of friends included Blacks and Jews and she had lived most of her case life with an open mind to all minority groups. Once the full effect of programming was under way, the success rate in desired reaction of those programmed was higher than anyone had imagined in the earliest stages of this particular mode of PSYOPS.

Candy Jones experienced stomach pains on several occasions during her hypno-interrogations. It was also noted that she had considerable cramping in her legs and feet. The stomach pains were consistent with the involuntary cramps of Luis Angel Castillo.

According to the case file, the COM-12 briefing reports, Candy Jones sat up from a prone position on the bed and shouted, "Whites are not the whores of the Blacks! It's horrible, it's disgusting..." The Q and A that followed revealed that Groelsch had prompted that response from her. She was on the border of Texas and Louisiana in a class which was taught by Dr. Brenner, whom she had met in Chicago years before.

DR.: Is it (the discussion) about Blacks and Whites?"

Candy: "Blacks, Whites, Yellows -- the whole thing. Integration is one thing but mixed breeding is another."

Dr.: Do you agree with him?"

Candy: "Oh, yes. Absolutely."

Dr.: "Well, what else has he said in today's discussion class?"

Candy: "He said it is always the minority group that tries to get the majority group to go along with them. It's the Blacks trying to get the whites to go along with them and next it will be the Yellows trying to get the Whites to go along with them and it will just always be that way. Those people are very strong."

Dr.: "Where did you learn that? Dr. Brenner?"

Candy: "Uh huh, and I also read it in the literature that they give you."

Dr.: "What was some of the literature like that they gave you? Can you remember?"

Candy: "World Power... World Peace... Peace is not a color -- or something like that. You go to the back of the room there and they have all the little booklets on the table. It's all free and you can take all the ones you want."

There is more Q and A about the races, then a short break. When Candy began again, her tone and general demeanor took on that of her alter-ego, Arlene. It was militant and degrading.

Dr.: "Is that what the CIA... uh... what Dr. Brenner taught you?"

Candy: "Well, he said that almost everyone knows a person who's going with a Black or a Jew and that it's going to be a really big problem. It's going to be especially tough on their children, so it was decided they should all be sterilized."

Dr.: "I see. And that's the kind of thing that they taught you? Dr. Brenner and the Agency?"

Candy: "Yes. (Becomes vehement) They should all be sterilized. They cannot be allowed to have children. They should stick to their own kind. Tigers don't mate with lions."

Dr.: "Does Dr. Brenner work for the CIA?"

Candy (laughs) "Work for the CIA? He is the CIA! He's really important as far as his discussion classes he holds for the Agency. But I don't really know how big he is in the Agency."

This series of interviews is of interest to the PSYOPS and appropriate intelligence teams for obvious reasons. This is a clearly traceable case file in which an average person with no previous mental aberrations or disproportional prejudice was programmed by the Agency to produce an agent known as a "Sleeper". This sleeper's built-in sub-personality and alter-ego could be activated and utilized to carry out the Agency agenda.

It is also a perfect demonstrative test to the Agency itself to see first hand just what the full capacity of this type of training or programming was back in the early days of the establishment of Mind Warfare. That is, successful alternation of an individual's mind and subsequently conscious action and reaction. This program was a direct result of the saturation which took place within the U.S. Intelligence community by German Intelligence and PSYOPS exports when the OSS/CIA first brought the Reinhard Gehlen organization here from Germany after World War II. The great strides and success that German Intelligence had with similar operations was strongly desired by the CIA in hope that it could duplicate and continue this success in its own theater of operations.

The briefing document goes on to mention Castillo then George De Mohrenschildt. It suggests that the Aquarius Group was behind the psycho-torture and mind control in these cases.

Of Lee Harvey Oswald, the briefing document says:

(Oswald) an alleged leftist, had only an 8th-grade education. It is therefore very strange that he is also known to have heavily associated with fiercely anti-Communists, white Russians, Nazis and high rollers in the aerospace industry -- a strange set of bedfellows if ever there was one!!

One thing to take special note of is the fact that Naval Intelligence, as well as other agencies involved in the study of Mind Control, was very successful in its work involving telephone cues. Specifically, this involved the capability of triggering a hypnoprogrammed agent or patsy by using a telephoned cue to activate the pre-planted suggestion of action (Projects: Svengali, Echo, High Wire).

The element of Mind Control is extremely prevalent in the assassination of Robert Kennedy by *SIRHAN SIRHAN*...

The briefing delves into Dr. Bernard L. Diamond's hypno-interrogation of Sirhan:

Diamond then asked Sirhan if he'd thought about suicide. "Hell no!" Sirhan said. "I couldn't do that." Diamond then expressed a thought which contained a significant Freudian slip. "Why didn't you turn the gas on yourself?... er ...why didn't you turn the *gun* on yourself after you'd killed Kennedy?" queried Diamond. This slip is significant because *many* of the subjects under CIA or Naval Intelligence Mind Control Operations were programmed to commit suicide.

Discussing the LAPD investigation of the murder of Robert Kennedy, the document brings up the name of Dan Mitrioni, who was one of the controlling

agents in the Jonestown massacre. (See the earlier chapter entitled CULT CONTROL.)

...The two top operatives in "Special Unit Senator" (SUS) just happened to be two Los Angeles Police officers named Manny Pena and Enrique "Hank" Hernandez. Both of these men had not only worked for the LAPD, but they had also worked for the CIA in Central and South America. Specifically, they had worked in conjunction with a man by the name of Dan Mitrioni in connection with the Office of Public Assistance. This office was formed, ostensibly, to help modernize the police forces of Latin America, but it was discovered that it was actually teaching torture methods to the Brazilian and Uruguayan governments...

The briefing document calls William Jennings Bryan III, William Joseph Bryon, Jr. Our sources say the mis-identifications were deliberate. One wonders why, since Bryan was dead by the time this Com-12 Briefing was circulated.

William Joseph Bryon, Jr. was the individual who hypnoprogrammed Sirhan in the first place to be in the pantry area of the Ambassador Hotel. The Ambassador Hotel was owned by G. David Shine who had been a personal assistant to Joe McCarthy and was with McCarthy when he conducted his now infamous anti-Communist witch hunt in the early 1950's.

Bryon billed himself as "probably the best leading expert in the world on the use of hypnosis in criminal law." He often boasted about being constantly called in on unusual cases by various law enforcement agencies, including the LAPD. The Boston Strangler case was his tour de force and he incessantly mentioned it.

An imposing man with a wrestler's girth, Bryon claimed he was once a drummer with the Tommy Dorsey Band, as well as a commercial airline pilot. During the Korean War, he was able to put his hypnotic skills to use as "Chief of All Medical Survival Training" for the United States Air Force, which basically meant the "Brainwashing Section." After the war, he became a consultant for the CIA in the agency's projects concerning Mind Control and behavior modification. Refusing any and all memberships in traditional medical societies, Bryon started his own medical and hypnotherapy practice on the Sunset Strip in Hollywood, which he named The American Institute of Hypnosis. He used this as an aegis for wide-ranging symposiums on such topics as "Successful Treatments of Sexual Disorders."

Dr. William Jennings Bryan III was a flamboyant Los Angeles hypnotist who died shortly after we began pestering him for an interview. We believe that he was one of the CIA hypnotists who programmed Candy Jones. Here, COM-12 tells us he

programmed Sirhan. According to the late Private Investigator Lake Headley (a close personal friend of Mrs. Bryan), immediately upon W.J.B.'s death, the CIA quickly cleaned out his home office of all files.

Despite his advocacy of sexual freedom, Bryon was a Bible-quoting Christian Fundamentalist. He belonged to a "fire and brimstone" sect called The Old Roman Catholic Church which had broken away from the Vatican well over a century ago. Curiously, David W. Ferri, a prime suspect in New Orleans District Attorney Jim Garrison's 1967 investigation into the JFK assassination, also belonged to this sect of extreme right Christian Fundamentalists... Bryon claimed to be a descendant of the fiery orator, William Jennings Bryon, who opposed the teaching of evolution in the much celebrated Scopes Monkey Trial. Bryon was a frequent guest of Christian Fundamentalist churches throughout Southern California...

(I was surprised to learn that Bryan was involved with the O.R.C.C. A priest of the O.R.C.C. was used by the FBI's COINTELPRO operation to "steal" the mailing list and otherwise inform on the *The East Village Other* which I edited in N.Y.C. during the late 1960's.)

Reporter Betsy Langman spoke with Bryan in his Sunset Strip office on June 18, 1974. Bryan went on in his puffed-up manor stating, "I am probably the leading hypnosis expert in the world... I can hypnotize everybody in this office in less than five minutes."

When Langman asked if he felt that Sirhan could have been hypnotized, Bryan said, "I didn't hypnotize him." His tone was hostile so Langman told him she was just looking for his personal opinion and Bryan accused her of "trying to find more ammunition to put out -- that same old crap -- that people can be hypnotized into doing all these weird things." According to the briefing document:

...He then abruptly left his office, shouting, "this interview is now over!" Somewhat shaken by Bryon's outburst, Langman went across the street to a coffee shop, accompanied by a sympathetic secretary from Bryon's office. The secretary told Langman that Bryon had received an emergency phone call from Laurel, Maryland only minutes after George Wallace was shot. The secretary stated that, while she didn't know what was discussed, she knew the call concerned the shooting. (Governor Wallace was shot and badly injured on May 15, 1972 at Laurel while campaigning for the presidency. His assailant was a man by the name of Arthur Bremmer).

In the spring of 1977, Bryon was found dead in a Las Vegas hotel room. The coroner stated the death was from "natural causes." It

should be noted here that the coroner's statement was made before the actual autopsy had been performed.

Shortly after his death, two Beverly Hills call girls were contacted and interviewed extensively due to the fact they had known Bryon intimately. They had been servicing him on the average of twice weekly for over four years, usually with both of them present. The call girls stated that, during their first meeting with Bryon, they had attempted to stroke his ego by "getting him to tell us about all the famous people he'd hypnotized." Bryon began his list by first telling them of his involvement in hypnotizing Alvert Di Salvo and his role in de-programming him at the request of Di Salvo's attorney, F. Lee Bailey.

Bryon then boasted that he had hypnotized Sirhan Sirhan. The women sensed nothing strange about the Sirhan angle because Bryon later spoke on many occasions of how he had been frequently utilized in his field of expertise by the LAPD on murder cases. The women had no way of knowing that Bryon had had no contact with Sirhan after the assassination. In other words, it is obvious that Bryon's hypnosis on Sirhan was *prior* to the assassination -- by his own unwitting admissions.

The two women also remembered that, on one occasion, Dr. Bryon had mentioned James Earl Ray, but could not recall any details. However, both women were certain about his boasts of working with Sirhan Sirhan. These women were also able to independently link Bryon to the CIA. Both women stated that at the outset of their relationship with Bryon, he had instructed them to call an unlisted phone number at this office. If someone besides himself answered, they were both told to say they were with "The Company", (a slang term for the CIA) and that would then be put through to him immediately. Bryon repeatedly confided to the women that he not only worked for the CIA, but that he was involved in "Top Secret" projects with the agency.

Upon Bryon's death, his offices were immediately sealed off to newsmen by his estate's probate lawyer, John Miner. Miner, as a former Deputy District Attorney, had also helped to prosecute Sirhan.

There are a lot of interesting cross-references with these individuals in regard to an assortment of assassinations of political figures. It was another far-right Christian Fundamentalist by the name of Reverend Jerry Owen who drove a pick-up truck to aid in the escape of a second assassin of Senator Robert Kennedy. One of Owen's top religious followers happened to be Arthur Bremmer's sister...

It is no mystery to certain elements of the Intelligence Community as to why (James Earl) Ray was such an "easy" (hypnotic) subject. As any expert in hypnosis can attest, this was undoubtedly due to the fact he had been the subject of hypnosis before. Ray's Central Intelligence file shows he had actually been subject to hypnosis by seven others in the field of Mind Control as a sub-conscious urge to undo what had been done to him, that is, a hypnotically induced split personality -- one which was either pre-programmed to kill upon command or merely to just run from the scene upon command. This action would be easily achieved via the post-hypnotic cue given at the appropriate time during the operation...

One item which has been a main focus in regard to Mind Control with U.S. Intelligence agencies is the use of various Mind Control techniques to utilize military or intelligence couriers to undertake various operations. These techniques include hypnosis as the earliest form, along with the later use of certain drugs and polypharmaceuticals. The subconscious mind can assimilate a much greater quantity of information than the conscious mind and can maintain full retention.

This technique was highly acclaimed by some divisions of the Military and Intelligence operations because it could be utilized in some unique and highly efficient ways. It would enable a hypnotized courier to learn and carry a much greater quantity of information than a counterpart who was simply operating on the conscious level. In Top Secret and UMBRA classification work, it would enable the concerned agency to successfully block and then recall at will particular elements of an operation or project, or to recall the entire thing.

When utilized with certain polypharmaceuticals and chemical "stews" the information was then impossible to uncover by a regular hypnotic session or even enemy agents of foreign countries. This impossibility was due to the fact that the exact chemical "codes" and formulas were necessary to uncover the information. In addition, the proper series of triggers such as words, phrases, tones, colors or combinations of these would have to be ascertained.

The last sentence redeems this document just at a point when it began to look like the writer didn't know anything about the kind of programming he/she was describing. Still, it's odd that the document makes the same mistake I made originally, it leans heavily upon hypnosis as an explanation -- even narco-hypnosis -- without relating it to classical conditioning. That's what the MPD's like Candy Jones were conditioned with -- classical conditioning using pain, drugs, electroshock, and other things along with anchoring techniques so that the



personalities could be fragmented, compartmented, and sealed with amnesia behind which the secrets were hidden.

In simple field usage, the hypno-programmed courier is able to retain large amounts of information which were completely hidden to his or her conscious mind due to the fact the information is blocked out via the post-hypnotic suggestion. It is therefore impossible, in spite of how forceful methods may become to induce the courier to divulge information, for the information to be released since it is not retained in the courier's conscious mind.

No mention of screens or scrambles either. So, the best we can assume is that the writer of this document is not one of the mind controllers, but has only a field knowledge of the effects of the programming.

The document goes into a long passage about Jolyn West and his CIA work and into the individual agents who worked with the Reverend Jim Jones to accomplish the "mass suicide" which was a racial experiment. Debra Leyton Blakey, wife of George Phillip Blakey, Jones' closest CIA advisors, are tied through Debra's father Dr. Leyton to the U.S. Chemical Warfare Department and ULTRA contracts like those undertaken by "Dr. Green." Mention is made of the Los Angeles riot as a "triggered" race incident.

Operation "Yellow Lodge" the CIA and NSA's covert research and development of mind control, biological warfare, and high impact weaponry on Indian reservations is also discussed as well as the Inslaw case.

Attorney, author, Mark Lane is described as a "Vac" or vacuum, someone who sucks up information from various concerned citizens and public researchers and then supplies details of their information to the particular intelligence agencies contracting him.

Lane also disperses cover information and "cut-outs", or stories that parrot the basic conspiracy well enough to gain the confidence of the civilian community. The cutout is completed with the insertion of "skids" or elements which are completely fabricated in order to mislead those who seek the truth. [See Agency file on same subject: Mark Lane and Contract Assignment History/CIA Central Files/201]

Now here's a chance to check out the authenticity of this document. However it is doubtful that the CIA would release such a document to anyone but Lane so long as he is alive.

The document notes that Lane was Ray's attorney at the House Select Committee hearings.

Mark Lane played an important role in this shift of media attention in his convenient dual assignment as People's Temple attorney and the attorney representing Ray. In his successful acquisition of Ray's case at the request of the CIA, Lane managed to gain the confidence of Ray. While creating the illusion of dedication to Ray's cause, Lane was actually sabotaging him in order that Ray would continue to be regarded as the "lone Gunman."

There's more on Jonestown, descriptions of the media manipulation and the "CIA Clean Teams" which administered injections and took care of the rest with small arms fire. Then the briefing turns back to the state of the art in mind control:

The preceding briefing is to educate the reader on the Intelligence Community's use of Mind Control and Thought Manipulation that may be implemented today, as well as a few actual case scenarios of successful operations conducted by the Central Intelligence Agency, the Office Of Naval Intelligence, and, in some limited capacity, Intelligence Support Activities units.

The scenarios described in this briefing have been selected for their recognition factor for members of intelligence teams as "well known" events in recent history and for their direct involvement with various U.S. Intelligence agencies and selected operations connected to these events.

These manipulations and degrees of control are easily achieved after years of intensive research by both the CIA and the Office of Naval Intelligence. The methods cover the range of actual hypno-programming, through either overt or covert methods as utilized by the agency concerned in the use of R.H.I.C., U.S.I.C., E.E.O.M. and E.D.O.M. techniques.

Ultrasound technology is most frequently used by the lesser intelligence agencies in their various theaters of operation. This method is known as Ultrasonic Intra-Cerebral Control. An intelligence unit commonly referred to as Division Five which is directly connected to the FBI, is mainly responsible for the study and subsequent use of this type of mind control procedure.

The three types of procured methods of mind control at its highest performance utilization are as follows:

1. E.D.O.M. (Electronic Dissolution of Memory)
2. E.E.O.M (Electronic Enhancement of Memory)
3. R.H.I.C (Radio Hypnotic Intra-Cerebral Control)

RHIC techniques call for the implantation of a micro-sized electronic radio receiver. The implantation most frequently is made by highly

trained teams within the Intelligence Community. The procedure involves the insertion of the micro-receiver (or transceiver) into the desired areas such as the frontal lobe or temporal lobe of the subject in question.

According to my sources, this technique was state-of-the-art in the 1960's, but is obsolete today. Other, more sophisticated techniques are in use now.

The device acts as a stimulator which can stimulate a muscle, nerve or brain frequency upon receiving the proper signal and will then initiate a desired response. The receiver generates sensory impulses which are then received through different nerves. These register as sensations which are the basis for perception.

And this simulace can be used to condition any response, turning people into Pavlov's dogs.

Under projects such as MK DRACO and HATTER, today's receivers are much smaller than the originals. Several types of "encephalators" are used to implant the devices into brain tissue through the nostril of a sedated subject after hallucinatory programming has commenced. The process is painful and, in some cases, may result in permanent damage to the sinus cavity resulting in later ear, nose and throat problems for the subject in question. Another method used by some programs is the use of an oral encephalator to insert the transceiver or receiver through the soft palette of the mouth into the brain tissue. This method is also conducted in concert with hallucinatory program cues.

This certainly fits the description of many of those who have come forward to describe their "alien abductions."

Another type of RHIC technology which is currently being utilized is a more sophisticated manipulation which utilizes a Personal Radio and Electro-Magnetic Frequency Allocation, better known in some intelligence circles as a "PRIMARY" or "PREMA." This is obtained by a simple "Scan" involving the acquisition of an individual's actual frequency allocation which are as unique to an individual as RNA/DNA codes. Primary Frequency Scanners are today so advanced that the machinery can fit into a normal-sized briefcase. The scanning or Reading Wand -- easily disguised in the confines of a pen or a room's light fixture -- is placed in the desired location to achieve a "reading."

Once the PRIME FREQUENCY or "PRIME FREAK" is obtained, procedures may be introduced which will affect only the individual in question. This is obtained through direct manipulation of this individual's Primary Frequency Allocation.

Another current RHIC technology in use can achieve manipulation of an individual or large masses of a populace. Without a Primary being established, general manipulation and control is obtained, though not as quickly or completely successfully. This is due to variances in particular geographic locations, certain drugs and food products, ethnicity, and general chemical effect on an individual. This method achieves the desired outcome through radio waves in the 800 MHZ band where the Vital Human Brain Frequency resonance is located. These waves directly affect the subject in the desired way through slow and persistent exposure.

Concerned Special Intelligence Operations personnel should acquaint themselves with PROJECT HIGH TONE and PROJECT XENO. Personnel in OM level Special Projects Operations are already aware of the Human Frequency operations and testing procedures which proved to be a great success on large population based capacities in Los Angeles, Calif. in April, 1992 .

The L.A. Riots took place April 29, 1992.

This Frequency Wave Manipulation can be utilized to the maximum benefits in a population or among select individuals when required. The benefits to CIA, NSA, Aquarius Group Operations and Aqua Tech Operatives are obvious. Through the ignorance of the general population of the World, the Cellular Wave Frequency Communications facilities may be erected and utilized by the Intelligence Community to sedate, excite or initiate a variety of physical effects and ills to implement population control or elimination at the time it is deemed necessary.

Individuals who have implemented proper meditation methods and training are more difficult to allocate. Individuals who have access to or regularly use marijuana or opiates on any regular basis also represent a problem in control and manipulation. This is due to the reaction and stimulus in the human brain that occurs with the use of these substances, which provides an immunity of sorts to these operation techniques. The federal agencies attempts to eradicate this problem in its War on Drugs is having some success in supply rates of marijuana and opiates. It is interesting that the so-called Drug War has had little effect on the supply of cocaine and methamphetamines as these can only enhance the effects of the manipulation instead of decreasing it as opiates will. However, complete control of the distribution of all undesirable drugs for use in general public population base cannot currently be completely eradicated.

Chemical control bases in public population will be present in 95% of the population base. Those individuals who may not be affected by Frequency Control due to the usage of certain drugs will most likely negate their immunity with the chemical base they have built up over the years in their everyday use and exposure to those agents on the C.B.C.B ( Chemical and Biological Control Base) listing.

With a general ignorance through arrogance of most public population in the U.S., the erection of large cellular towers being carried out under HIGH TONE and XENO are largely going completely unnoticed.

These projects are being carried out in private business capacities and therefore in Deep Black Operations cover. however, public populations would be wise to educate themselves in the construction of these seemingly innocent towers in large population areas. The cellular 800 MHZ waves are a constant wave. Due to the great proliferation of towers in key population areas, they will have a devastating effect when utilized by Aquarius Group Operations if the condition persists.( See photos at end of chapter).

Both EEOM and EDOM are fundamentally the same. However, they involve more of the electronic or electro-magnetic charges and responses of an individual. The most basic form of Electronic Dissolution or Enhancement of Memory call for the remote-controlled production of Acetylcholine. This is an ester of choline which occurs in various organs and tissues of the body and is responsible for the transmission of nerve impulses at synapses and myoneural junctions. Enhancement or dissolution is simply controlled by manipulation, causing excessive or deficient amounts of Acetylcholine production in the subject in question. The consequential action at the motor endplates result in either a neuromuscular block or opening which causes the desired effect of either an amplified awareness of stimuli, or a sort of immediate and complete amnesia ( depending on technique and desire of the team in the field).

All of these methods have been or are currently being used by Military Intelligence groups to affect Mind Control. The agencies which utilized and still utilize these methods are most notably the CIA and the Office of Naval Intelligence. The ONI most frequently utilized these methods in recruitment of assassins who were both aware and unaware of the training they were exposed to. These electronic procedures, as well as repeated exposure to films and photographs of an extremely violent nature and orientation, would achieve the desire effect. Eventually, these individuals were and are assigned out to attachments with American Embassies overseas.

The largest of these Mind Control programs under the auspices of the CIA, ONI and National Security Agency are as follows:

M.K. Ultra	REACH	M.K. XENO
M.K. DRACO	BLUEBIRD	DANCER
HATTER	ARTICHOKE	WATCHTOWER

One source reports that M.K. Draco is the code name for one of the "alien abduction scenarios."

Jonestown is not unique as a controlled environment which was created under the need for discretion in carrying out the covert operations of the ULTRA program. The fact that the community moved to a foreign country from the U.S. was even more of an incentive for the intelligence groups concerned. The interest in cults spawned many additional programs with other cults and certain religious sects.

The document then goes on to name several so-called cults and even sites Christian Evangelical and Far-Right, "Born Again" groups as being the pawns of the cryptocracy. Instead of risking offense to everyone, let's just say that the cryptocrats know that if a person holds strong and intractable beliefs, those beliefs can be used to manipulate them.

Finally the briefing raps up:

The operative must be aware of the impact and implications of this method of PSYOP Warfare. Aquarius Group Operations, as part of a current agenda, has been very successful under project REACH and BELFRY in programming and cueing selected individuals who have, in turn, carried out programmed procedure and opened fire on other civilians in public areas all across the United States.

It is part of Aquarius operations to bring this about in more of a repetitive pattern over a period of many years in order to increase the callous disregard for human life by others who reside in high population-density zones. Especially targeted are large urban areas where street gangs are prevalent. In the overall scenario of senseless and unprovoked killings increasing as time passes, the Aquarius Operation feels they will eventually condition the public to welcome the eventual confiscation of firearms, setting of curfews, mandatory Bar Code I.D.'s which will be subdermally inserted, and general areas of Martial Law ( Refer to files on REX 84, KING ALFRED, CABLE SPLICE and GARDEN PLOT).

It is felt among many that the erosion of Constitutional Rights will be readily accepted by the majority in return for government promises of elimination of gang killings, mass killing by lone gunmen, and termination of drug trafficking in all areas. Projects WATCHTOWER, POPPY and ULTRA will then also play important roles in sedation of the population through various chemical, biological and radio frequency manipulation in order to achieve the overall goal of a One World ruling structure by the year 2000 to 2003.

These factors, in conjunction with Aquarius Group Operations plans to institute a One World Religion of an extremely right-wing side of Christian Fundamentalism (which is currently increasing in even such countries as China and the Russian Republics), will further add to the destruction of rights and freedoms granted to us in our Constitution and Bill of Rights. This development will also separate the World into two large powers. One will be a Fundamentalist Christian power and the other will be a Fundamentalist Islamic Power. These philosophies, as well as the struggle for decreasing water supplies, will be the future reasons for World conflict.

Curiously enough, the wife of the late top CIA spook, James Jesus Angleton, told me something like the contents of the last two lines of the above paragraph. She said this is the kind of thing that her husband was predicting back in the 1960's, based on the CIA's "best estimates."

The above quoted briefing, as best I could determine, was released in the spring of 1992. On July 4, 1992, a man calling himself Michael Younger appeared at a UFO convention in Arcadia, California, telling people he was a member of the super-secret COM-12 group and a scientist who worked at Groom Lake, Area 51 in Nevada. A stunned audience of 200 people listened to Younger unfold an amazing scenario which itemized a scenario which was to culminate in February or March of 1993 with the assassination of President George Bush. According to Younger, the plan was to make Dan Quayle President and suspend The Constitution of the United States.

Stage 1, according to Younger, was the staging of "race riots" in New York, Chicago, Detroit and other major U.S. cities. These would be preceded by a month of subliminal TV programming.

Stage 2 was code-named "Operation Hot August Nights" during which special agents of the conspiracy masquerading as police would open fire on minorities. Claiming that the L.A. riots were a "test case", Younger said that incendiary bombs would be used in these riots as they were in the L.A. riot. The police would be outnumbered by rioters, which would include "skin heads and other gangs fully armed."

Stage 3 of Younger's described plan would come in September when President Bush would call in U.N. troops to quash the riots and restore law and order. Bush would execute Executive Orders already in effect, which give the UN forces complete rights to enter American homes and confiscation rights.

Stage 4 would come in October when an "official announcement would be carried on TV that extraterrestrial aliens, probably Zeta Reticuli 'Greys' have invaded the Earth, with some actual aliens introduced on the show." Younger said the aliens would be credibly faked. And, Younger said, this would cause the world to mobilize under UN supervision to fight the 'invaders.'

Stage 5 was to take place in December. It was a well-planned 'crash' of the stockmarket.

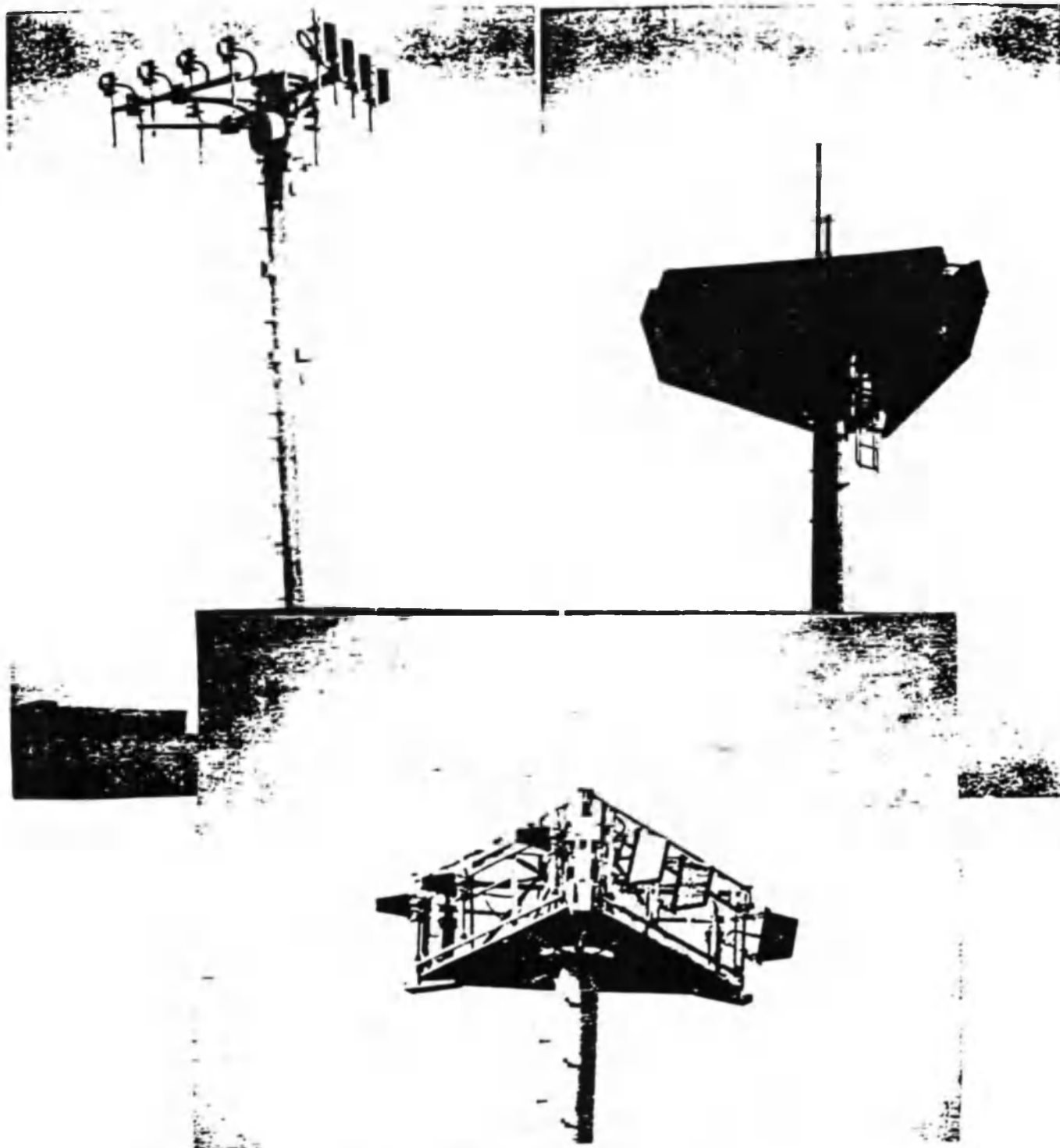
Stage 6 would come in February of March, 1993, Younger said, when President Bush would be assassinated by the conspirators and Vice President Dan Quayle would take the oval office.

According to Younger the conspirators were from among the 1.6 million Nazis living in the U.S., many high in government and major corporations. In January, 2000, Younger said, the *real* alien invasion would occur, but then the New World Order would have gone a long way to being realized and a real global force would be there to defend us against them.

Was Younger really a scientist who worked at Groom Lake as he claimed? Was there a grain of truth in this, or coming on the heels of the Com-12 document, was it an effort to smudge the truth of the existence of that group and the general accuracy of its information? Or? You tell me.

Label this disinformation? The predictions didn't come true. At least not on time, not yet.





These three photos were attached to the Com-12 Briefing on Mind Control. They show three different towers (apparent cellular phone tower and other unidentified) which are supposed to be broadcasting mind controlling signals at the general public.

Courtesy Derrell Simms, HUFON, Houston, Texas



One of the numerous diagrams of "alien implants" of the type described in the Com-12 Briefing document.

## PROJECT GREENSTAR?

As early as 1961, advisors to the late President Kennedy recommended that with the threat of nuclear war hanging over the future, civilized nations could no longer risk overt confrontations that would lead to war, since even conventional war could escalate to Armageddon. If war was necessary it would have to be invisible. It was either invisible warfare or peace, and everyone seemed to agree the economy would "suffer" from peace. Without war, it was believed, the economy would falter and depression would be the dividend of peace.

Thus the advisors to the president began to think about what might motivate the U.S. economy as well as war did. They came up with several possibilities, the most fantastic of which was to fake an invasion from outer space.

Lewin says that a task force of 15 men met at Iron Mountain, New York in August, 1963 and by September 30, 1966 (seven days before LSD became illegal) they submitted their final report, known as *The Report From Iron Mountain on The Possibility and Desirability of Peace*<sup>236</sup>. All the members of the task force wanted to keep the report secret except one, Lewin says. This particular individual, Lewin says, contacted Leonard C. Lewin and offered to "leak" the report to him with a view to having it published. Since none had signed a security oath, there was nothing except etiquette to keep the report from being published, and the person who contacted Lewin thought the report was too important to keep secret.

In 1967 Lewin told Paul Krassner that the report was a hoax of his own authorship. He swore Paul to secrecy and Paul never talked until now. ( Since when could you trust a journalist to keep a secret, least of all the news hungry editor of THE REALIST? Ironically Paul kept the secret.<sup>237</sup>)

---

<sup>236</sup> Lewin, Leonard C., *REPORT FROM IRON MOUNTAIN ON THE POSSIBILITY AND DESIRABILITY OF PEACE*, The Dial Press, New York, 1967.

<sup>237</sup> Paul Krassner knew both Leonard C. Lewin and Herman Kahn. Krassner says he did not talk about *The Report From Iron Mountain* with Kahn.

If Lewin was telling the truth, his hoax was uncannily prophetic. Read it and make up your own mind. "Leaking" to Paul the hoax disinfo would be appropriate if Lewin wanted Paul to spread the news of the hoax -- a common disinformation tactic of the cryptocracy. Many believe it was largely authored by Herman Kahn whose fingerprints are all over the report. Kahn might have been momentarily enlightened by the large jolt of DMT Tim Leary gave him to bring him down from a bad acid trip shortly before the *Report from Iron Mountain* was written.<sup>236</sup>

The Hudson Institute was started in 1961 when Herman Kahn, the owner, decided "to help determine the entire future of the U.S. -- and, time permitting, much of the world beyond."<sup>239</sup> The Institute received its \$1.36 million income in 1968 from The Office of Civil Defense, The Office of Secretary of Defense, the Military Services, and according to *Life* magazine, "Other Government and Non-U.S. Government" agencies. On the list of what it calls "Public Members" and "Fellows" the Institute published, ten of the twenty-one of its Public Members were members of the Council on Foreign Relations, as were fifteen of the thirty-four Fellows. Two of the Fellows are very well known: Dr. Henry Kissinger and Dr. Milton Friedman.

Author A. Ralph Epperson<sup>240</sup> informs us that the corporations which created Iron Mountain included Standard oil of New Jersey ( Rockefeller intersts); Manufacturers Hanover trust (the Morgan Intersts); and the Shell Oil (the House of Orange,) among others. "The report" writes Epperson, "dates back to at least 1961, when Robert McNamara, McGeorge Bundy and Dean Rusk, all members of the CFR, noticed that no serious study had been made about planning for a long-term peace. Not only were they concerned about the lasting effects of a long-term peace, the also wished to examine the functions, both visible and invisible of war."

Apparently the author Gary Allen made an attempted to locate the authors of *the Report from Iron Mountain*. He concluded that it had been written by the Hudson Institute. He wrote: "There is considerable evidence that the Report is the work of the Hudson Institute and Herman Kahn... There is an Iron Mountain just a stone's throw (literally) from the Hudson Institute near Croton-on-Hudson, (New York.)"<sup>241</sup>

The reader is invited to compare Kahn's style in say, *Thinking The Unthinkable* and the *Report From Iron Mountain*. Lewin was the husband of leftist activist and journalist Eve Merriam. Krassner says he had no reason not to trust Lewin's

<sup>236</sup> Michael Bowen witnessed the event at the Millbrook, N.Y. estate occupied at the time by Leary and The Castalia Foundation. Bowen says Leary injected Kahn with a large dose of Dy-Methel-Tryptamine to "bring him down" from a bad LSD trip he was having. According to Bowen the 400 pound Kahn was running amok, destroying things in an upstairs room of the Millbrook mansion before Leary injected him with the "calming" liquid DMT. Having a Ph.D., Leary, was not licensed to prescribe or give anyone drugs without the supervision of an M.D.

<sup>239</sup> William A. McWhirter, *Life*, December 6, 1968.

<sup>240</sup> A. Ralph Epperson, *The Unseen Hand*. Publius Press, Tucson, Arizona, 1985.

<sup>241</sup> Gary Allen, "Msking Plans for a Dictatorship in America." *American Opinion*, April 1971.

confession. If Lewin was not trying to get the cry "literary hoax" circulated which would have helped circulation of the otherwise dull book, he might have been taking the blame for Kahn, laying down his reputation as the cover story. "On the other hand," Krassner says, "it could have been a satire. One that was true. There really could have been a group such as Iron Mountain 15, talking about things which were reported. But the book itself might have been a put-on of Hudson Institute style and content." Another satire that came true? Then life does imitate art?

Col. Fletcher Prouty was also told by Lewin (in the late 1980's) that the book was a hoax. "But the people at the Hudson Institute, the Pentagon, and the government contractors were talking like this in those days. So it wasn't really exaggerated enough to be satire," Prouty told me. "I'd always believed it was leaked information..."

And in his book *JFK, The CIA, Vietnam And The Plot To Assassinate John F. Kennedy*<sup>242</sup>, Prouty wrote: "During the Kennedy years, people within the government and their close associates in academia and industry discussed frequently and quite seriously many of the major questions phrased by Leonard Lewin in *Report From Iron Mountain*. I had been assigned to the Office of the Secretary of Defense before the Kennedy election and was there when the McNamara team of "Whiz Kids" arrived. Never before had so many brilliant young civilians with so many Ph. D.s worked in that office. It was out of the mouths of this group that I heard so frequently and precisely the ideas that Lewin recounts in his 'novel.'"

For example, in National Security Memorandum 68, George Kennon wrote: "We have about 50% of the world's wealth, but only a 6.3% of its population... In this situation, we cannot fail to be the object of envy and resentment. Our real task in the coming period is to devise a pattern of relationships which will permit us to maintain this position of disparity... to do so, we will have to dispense with all sentimentality and day-dreaming and our attention will have to be concentrated everywhere on our immediate national objectives... We should cease to talk about vague and... unreal objectives such as human rights, the raising of the living standards, and democratization. The day is not far off when we are going to have to deal in straight power concepts. The less we are then hampered by idealistic slogans, the better." The "straight power" concepts are what *The Report From Iron Mountain* is made of.

Published in 1967, the report drew immediate attention for its then bizarre suggestions. In a review of the report in the *Washington Post*<sup>243</sup> book section, John Kenneth Galbraith writing under the name Herschel McLandress

<sup>242</sup> L. Fletcher Prouty, *JFK, the CIA, Vietnam And The Plot to Assassinate John F. Kennedy*, Birch Lane Press, New York, 1992.

<sup>243</sup> McLandress, Herschel, *BOOK WORLD*, "News of war and peace you're not ready for", page 5, November 26, 1967,

acknowledged that it might come as a shock to the American public to know that war is considered by these experts to be a highly desirable component of modern society. They believed this to be true because:

1. War provides the only dependable system "for stabilizing and controlling" national economics.
2. War is the basis for giving the necessary authority to the government to insure political stability.
3. War is indispensable sociologically for the purpose of controlling "dangerous social dissidence and destructive anti-social tendencies."
4. War serves an indispensable Malthusian function of reducing the population at regular intervals.
5. War is the primary motivational force for scientific and technological progress.

The report was a substantial example of the type of secret "expert planning" which was to become essential in formulating policies in Washington, rather than listening to the expressed desires and aspirations of the American electorate. The ideological attitudes and intellectual tone of these "experts" were as follows:

1. The Iron Mountain experts believed the value of war as an institution should be determined without reference to ethics, morality or other measurements.
2. They said "major industrial advances" could "never have taken place" if it had not been for war.
3. They said defense spending was not wasteful since it stimulates the economy.
4. They said the threat of war was necessary to give political leaders an essential control over the people, *and if no threat exists political leaders should set about creating one.*
5. They said political control could be assured by permanently "institutionalizing" a large segment of "poor" who are dependent upon the politicians and would therefore vote for them and keep them in power: "...the continuance of the war system must be assured, if for no other reason, among others, than to preserve whatever quality and degree of poverty society requires as an incentive ( to support the regime in power), as well as to maintain the stability of its internal organization of power."
6. They said the army was needed as a pool for the misfits.
7. They looked upon the army as a "state-supported haven for the unemployable."

8. These "experts" believed that the latest weapons for mass destruction constituted an important factor in "population control." They lamented that conventional weapons, "did not kill enough to reduce the consuming population to a level consistent with survival of the species."
9. They regretted that modern medicine cured so many pestilences and thereby interfered with the natural selection process through survival of the fittest, suggesting that the day must come when human reproduction would be by artificial insemination so as to permit 'direct eugenic management.'
10. They gave detailed consideration to various peace-time substitutes for the essential functions which they attributed to war, but came to the conclusion that war was superior to anything they could suggest as a practical substitute at that time.

After a lengthy discussion of ways to control society and keep it within numerical and economic bounds without war the *Report from Iron Mountain* boiled it all down to a summary entitled:

#### **Substitutes for the Functions of War: Models**

The following substitute institutions, among others, have been proposed for consideration as replacements for the nonmilitary functions of war. That they may not have been originally set forth for that purpose does not preclude or invalidate their possible application here.

1. *Economic.* a) A comprehensive social-welfare program, directed toward maximum improvement of general conditions of human life. b.) A giant open-end space research program, aimed at unreachable targets. c) A permanent, ritualized, ultra-elaborate disarmament inspection system, and variants of such a system.

2. *Political.* a) **An omnipresent, virtually omnipotent international police force.** b) **An established and recognized extraterrestrial menace.** c) **Massive global environmental pollution** d) **Fictitious alternate enemies** [emphasis added.]

3. *Sociological: Control Function.* a) Programs generally derived from the Peace Corps model. b) A modern sophisticated form of slavery.

*Motivational function.* a) Intensified environmental pollution. b) **New religions or other mythologies.** c) Socially oriented blood games. d) Combination forms.

4. *Ecological.* A comprehensive program of applied eugenics.

5. *Cultural.* No replacement institution offered. *Scientific.* The secondary requirements of the space research, social welfare, and/or eugenics programs.

In the evaluation that followed it was decided that the "space-research substitute appears to meet both major criteria, and should be examined in greater detail, especially in respect to its probable effects on other war functions..." Development of "an acceptable threat from 'outer space' presumably in conjunction with a space-research surrogate for economic control, appears unpromising in terms of credibility," the experts decided. Without the foresight of 30 years the experts concluded, "the environmental-pollution model does not seem sufficiently responsive to immediate social control, except through arbitrary acceleration of current pollution trends..."

The Iron Mountain experts proposed the establishment, "under executive order of the President, of a permanent War/Peace Research Agency, empowered and mandated to execute the programs described in (2) and (3) below. This agency (a) will be provided with nonaccountable funds sufficient to implement its responsibilities and decisions at its own discretion, and (b) **will have authority to pre-empt and utilize, without restriction, any and all facilities of the executive branch of the government in pursuit of its objectives** (emphasis added.) It will be organized along the lines of the National Security Council, except that none of its governing, executive, or operating personnel will hold other public office or governmental responsibility..."

(2) THE FIRST OF THE WAR/PEACE RESEARCH AGENCY'S two principal responsibilities will be to determine all that can be known, including what can reasonably be inferred in terms of relevant statistical probabilities, that may bear on an eventual transition to a general condition of peace...

(3) THE WAR/PEACE RESEARCH AGENCY'S other principal responsibility will be "War Research." Its fundamental objective will be to ensure the continuing viability of the war system to fulfill its



essential nonmilitary functions for as long as the war system is judged necessary to or desirable for the survival of society...

In the discussion preceding the above, we find the following relevant commentary:

"Credibility, in fact, lies at the heart of the problem of developing a political substitute for war. This is where the space-race proposals, in many ways so well suited as economic substitutes for war, fall short. The most ambitious and unrealistic space project cannot of itself generate a believable external menace. It has been hotly argued that such a menace would offer the "last, best hope of peace," etc., by uniting mankind against the danger of destruction by "creatures" from other planets or from outer space. Experiments have been proposed to test the credibility of an out-of-our-world invasion threat; it is possible that a few of the more difficult-to-explain "flying saucer" incidents of recent years were in fact early experiments of this kind...<sup>244</sup>"

Thirteen years after *The Report from Iron Mountain*, and one year after *Operation Mind Control* was first published, the astrophysicist, computer scientist and UFOlogist Dr. Jacques Vallee published *Messengers of Deception*<sup>245</sup>. To my knowledge this was the first book to mention mind control in connection with UFOs and especially the "abductee" phenomena:

"The Manipulators... I have given this name to the agents who cause the UFO contacts and engineer their effects. Everything now centers on their role, their identity, their designs. Who could they be? Alien beings coming from the end of the galaxy? Psychic entities from the "other side"? Automata controlled by some nonhuman consciousness? Holographic nightmares? But perhaps we are looking far away from something which is right under our nose: *could they simply be human?* Could they be masters of deception so skillful that they can counterfeit an invasion from space?

"It is not difficult to see that the same themes are running through the whole puzzle. Many contactees, for example, mention Atlantis. If our self-styled "space brothers" need such a prehistoric pedigree, is it reasonable to expect them to come from some far-away star? The real answer is both more mundane and more frightening:

*"Beyond the attention of academic science, below the dignity of official history, there are groups, cults, and sects that serve as "leading indicators" of mass movements (emphasis added.)*

---

<sup>244</sup> Op cit, p. 66.

<sup>245</sup> Vallee, Jacques, *Messengers of Deception, UFO Contacts and Cults*, And/OR Press, Berkeley, California, 1979.

603 *W.H. Bowart*

"The myth of contact is such a leading indicator."

Vallee took all his papers one day and drove to the house of a Major Murphy, who had advised him in his UFO research before. Major Murphy and Vallee "quickly agreed that the popular idea of flying saucers from outer space left much to be explained..."

Major Murphy, Vallee said, reported that the U.S. had evidence in 1943 that several countries had been working on circular aircraft which they hoped to develop into secret weapons. The Nazis, he said, were doing advanced research on "controlled electrical discharges" and "controlled lightening" and had tried to combine these things together. Then, when the allies invaded Germany, a lot of the hardware fell into both U.S. and Russian hands. "Then people started seeing the modern UFOs in Sweden in 1946," Vallee reports the Major saying.

"General James Doolittle was sent to Sweden by the United States in 1946, apparently under cover of the Shell Corporation. In fact, he was to investigate the 'ghost rockets' with the Swedish authorities. Whatever came of that?"

"His conclusions have never been revealed," Vallee says Murphy said "with a sigh that seemed to say, If only the Pentagon could talk!" This took place a year before Kenneth Arnold named the discs he saw over Mt. Rainier "flying saucers."

"One area where you must realize a lot of research had already been done in great secrecy by 1946," Vallee quotes Major Murphy saying, "concerned mind control and the effects of electromagnetic radiation on the human body."

Vallee asked the Major what that had to do with rockets, UFOs or secret weapons.

"On the surface, if you just look at a few isolated cases, like scientists arguing about UFOs, well, I agree it doesn't mean anything," Vallee quotes Murphy saying. "But suppose somebody had obtained a device by the end of the war, which perhaps wasn't a very effective weapon. Perhaps it couldn't fly very effectively, couldn't carry guns and bombs, but had other properties. For instance, it could emit radiation that caused paralysis and hallucinations as it flew over an area, so that witnesses exposed to it would think they saw the phantasms of their own imagination. Did somebody test that kind of a device in Sweden in 1946, and in the States in 1947, and find it to be ineffective as a flying machine, but very useful as a means of propaganda? Has such a group already understood what UFOs were, and are they confusing the issue by simulating UFO waves? Or is the entire phenomenon under their control?"

Vallee said it was hard for him to believe that techniques could be applied on the kind of scale as was being reported, even in 1979.

"Don't you read the newspapers?" Vallee quotes the Major saying. "Don't you follow publications on mind control? The military has been using this kind of technique for years."

Vallee describes Major Murphy pulling out a file of a series of *New York Times* clippings beginning in 1977 which described part of a U.S. project "which spanned 35 years and involved hypnosis, narcoanalysis, electronic brain stimulation, and the behavioral effects of every physical vibration known to science, from ultrasound to microwaves. He showed me a book entitled *Operation Mind Control*, in which W.H. Bowart describes his meeting with a young man who had just returned from a tour of duty with the Air Force. He suffered from amnesia. Like many UFO contactees, he remembered vaguely that he had had a good time, but couldn't describe in detail where he had been. After many therapy sessions, he began to recall part of his activities. He had served, it seemed, on a military committee in Vietnam... He had been trained for total recall... then his entire memory of these assignments was erased like a magnetic cassette..." etc. (See Chapter Two, *Only One Mind For My Country*.)

"Giving me time to absorb this information," Vallee wrote, "Major Murphy gestured toward the notes I had compiled on the UFO contactees and their sects.

"'You have assembled case histories on rather interesting groups. Don't misunderstand me,' he said. 'I am not suggesting that secret agents are going around the world giving these thousands of people individual suggestions to see UFOs. As we found out when we began developing the science of propaganda during the last war, you don't need to do all that. A few well-placed stories, a well-planned program publicizing sensational incidents, will do marvels. The contactees are being manipulated. And I think we should not look in outer space for the Manipulators.'"

Vallee asked the major where he would look, then for the answer to the riddle of UFOs.

"'Right here on earth,' said the Major, with the satisfied air of a mathematics professor who has succeeded in proving an especially vexing theorem. 'The best place to start looking for them is among some of the occult groups. Such organizations are an ideal place for a clever individual to exercise his influence, because they are ignored by the intellectuals, by those who call themselves 'scientific investigators.' They are afraid of looking silly if they join the Order of Melchizedek: what will the Dean say when he finds out!'"

The same year *Messengers of Deception* was published, Carl Jung's niece, Lou Zinsstag, wrote a book about her friend, one of the first "contactees", George Adamski.<sup>246</sup> In it Zinsstag mentions *Operation Mind Control*, telling how this

---

<sup>246</sup> Zinsstag, Lou, GEORGE ADAMSKI. THEIR MAN ON EARTH. Photo section and commentaries by Timothy Good. Foreword by Dr. Hans Holzebrl, copyright 1978, published in 1990 by UFO PHOTO ARCHIVES, P.O. Box 117206, Tucson, Az.

report of the cryptocracy's operations in mind control helped her understand things about Adamski which had remained inexplicable.

Adamski's testimony in his book *Flying Saucers Have Landed* (co-authored by Desmond Leslie) reported that on November 20, 1952 the author encountered a "Venusian" wearing a one-piece body suit and long blond hair somewhere near Desert Center, California. The Venusian told Adamski that he was gravely concerned about recent atomic bomb tests. This message would become a litany of other "contactees."

Flying saucer clubs sprang up. Lecturers earned their living speaking on an international circuit of UFO conventions. The government denied the existence of UFOs and there, apparently, was no physical evidence from them. When there was evidence, UFO lore has it, the "Men in Black" would come and seize it, warning witnesses to keep their mouths shut. Often described as tall oriental men wearing black sunglasses and driving detailed black Cadillac's the men in black were masters of intimidation. Mysterious phone calls and black helicopters often preceded their visits.

Lou Zinsstag asked Adamski about the men in black who had just started to make headlines in Europe. "I was astonished to hear him acknowledge their existence without hesitation, adding '...they are not always in black, and they certainly belong to our own kind,'" Zinsstag said. "They are well trained and committed to do their utmost in order to scare people away from getting interested in a new kind of cosmic knowledge which is rightfully ours.' He also asserted that '...of necessity they have to be faceless men; you will never catch one.' Asked if they belonged to the CIA, he hesitated a moment and then said 'not necessarily'. But I also remember him telling me that some of them were very well versed in telepathy, hypnotism, trance and other forces 'which can be subtly applied without immediate detection', and that they got their schooling from the CIA."

In Gray Barker's book on Adamski, published after George's death, an undated article was published, entitled *My Fight with the Silence group*<sup>247</sup>:

*Shortly after the publication of 'Flying Saucers Have Landed' I was visited by three men, two of which I had met previously, but the third was a stranger. It was he who took the role of authority and directly threatened me demanding certain papers I had, for one thing. Some of these I gave him and was promised their return, but this promise was never kept. Since I did not exactly understand to what he had reference, I did not give him some of my (more) important papers. There is no need denying that I was frightened. Before they left I was*

*told to stop talking or they would come after me, lock me up and throw the key away.*

Evidence in Jerome Clark's *The UFO Encyclopedia, Vol. 2*<sup>248</sup>, suggests that Barker may himself have been a disinformation asset for the cryptocracy:

"...Barker was undeniably responsible, along with (James) Moseley, for one of the most notorious **hoaxes** of the 1950s, a December 1957 letter written on State Department stationery by one R.E. Straith and addressed to contactee **George Adamski**. "Straith" claimed that the department knew of the truth of Adamski's reported meetings with Space Brothers and was quietly supporting his efforts..."

It was concluded that the letter had been written on Barker's typewriter, but Moseley refused to publish his manuscript on the subject until after Adamski's death. Then Moseley confirmed the long-standing rumors about the document's "true provenance." An inveterate UFO Convention attendee, Moseley maintains his position of "skeptic" in the crowd of true believers. He has been accused of being an intelligence asset over the years by UFO researchers. (At a 1983 UFO convention he said Candy Jones' manager told him that her story was "just a hoax." That's hard to believe in light of others whose programming is almost identical to Candy's and in the face of "leaked" CIA interrogation transcripts of Candy who apparently did have handlers both inside and outside the agency.)

UFO lore is filled with conflicting information and deception. In fact, it's doubly hard to believe UFOs are real, first because of public incredulity -- peer pressure not to believe, and second because for every plausible explanation of their reality, there's an equally plausible explanation of their unreality. It certainly appears that somebody is waging an artful psychological warfare campaign.

The campaigners would have it that if you want to believe in UFOs you can find enough evidence to present a logical argument for their existence, and if you don't want to believe in UFOs you also can find enough evidence to present a logical argument against their existence. This would be an appropriate intelligence effort if, indeed, this planet were being invaded by an alien race far in advance of our own. Also possible is the scheme of a real UFO "invasion" being manipulated as a shield for high technology research projects.

Either way Ufology is a classic study in "plausible deniability." It is a history of rumors documented by almost fifty years of uncoordinated effort by independent researchers. And, on the other hand, it may be an organized escape valve to mass

---

<sup>248</sup> Clark, Jerome. *The UFO Encyclopedia, Volume 2, The Emergence of a Phenomenon: UFOs from the Beginning through 1959*. Detroit, MI, 1992.

hysteria, or an ordered presentation of "mass hallucination" created by almost fifty years of mind control -- or both. It is highly likely that at least some of the "abduction scenarios" are being programmed by mind control technology and used as "screens" or "scrambles" to cover something else.

But Zinsstag said Adamski knew exactly where his opposition came from. "He survived their plots and he refused their money offers. But it looks as if he had not been prepared to counter more subtle or more sophisticated methods which, in the end, were effective in discrediting our old friend. There is some reason to suspect that, for a certain time at least, Adamski was fed false information by some cunning impersonators of spacemen who could have been members of a group of CIA agents...

"I know how outrageous this idea sounds to saucer enthusiasts who are still convinced of the space visitors' infallibility and trustworthiness," Zinsstag said. "But I am not so sure any longer..."

"Now in 1979... we may well assume that Adamski fell for some of their tricks, as early as in the sixties. He was so right when he wrote that the destruction of his image was their major target -- but he failed to perceive the moment when it came about. He seemed to have overrated not only his faculty for perception but, also, his strength to stay clear of such weird manipulations.

"In one of our private talks," Zinsstag wrote, "Adamski had admitted to possess remarkable psychic gifts, such as putting himself and other people into trance and that he was able to hypnotize himself but that he never made any use of it and, as he fiercely added, nobody would ever be able to put him into trance or hypnosis without his own wish or consent. In November 1963, he wrote:

*"... I was talking to a man well versed in mesmerism and hypnosis. He is visiting here from the Middle West, and he has used both of these in government work. (...) I wanted to know if I was right in my knowledge of it. And this is what he told me: there are people who will not lend themselves to either hypnotism or mesmerism by direct suggestion. He said that I was one who would not, for I make thorough analysis before acting..."*

"I often wondered if this could have been a clever move of a CIA agent with a purpose, wanting to make him careless or to put him at ease. I don't think that Adamski knew, at that time, that there was such a thing as hypnosis at a distance..."

"But there was one thing he knew: that with the years the shadowing of his person was bound to grow and that they were slowly '*closing in on him*' as he said. He knew perfectly well that with his first book already he had stuck his head out once and for all times. '*And, until they get me, I am making the best use I can of the freedom of the press in this country and also the freedom of speech.*'

..."When in April 1965, he set out to lecture once more in and around Washington D.C., he must have felt the fear of God in his bones. He knew that not only the CIA was after him; he knew that he had even more formidable adversaries<sup>249</sup>.

"Going through my files," Zinsstag said, "I found the copy of my letter to Henk Hinfelaar written in May, 1965:

"...I remember Adamski telling me more than once that he would never enter a hospital in the U.S. if ever he could help it because 'you never know what kind of injection they would make or what kind of drug they would put in my food.' And another time he said bluntly, '*I would rather die in he street than enter a hospital.*'

"He also told me that, as an exception, he would use a shortened version of his name ( -ki being the Polish ending for any male name) when he felt a kind of insecurity while entering a hotel. This, he said, was no falsification of his name and that , in fact, he could have discarded the last syllable long ago; nobody would have objected but that he had always wanted to keep the name he had got from his father.

"With this letter," Zinsstag wrote, "Henk received a copy of a UPI report which I had received from an unknown friend, published in an unknown newspaper:

#### **'FLYING SAUCER EXPERT IS DEAD**

**Washington, UPI, April 30, 1965**

A man who claimed to have visited other planets is dead. For a period after his death he was, like the flying saucers he studied, unidentified.

George Adamski, 74-year-old resident of Vista, California, who only last month told Washington newsmen he had made several interplanetary trips aboard craft from outer space, died last Friday night in a Washington sanitarium at nearby Tacoma Park, Maryland.

Dr. Beldon Reap, deputy medical examiner for Montgomery County, Maryland, confirmed his death this morning, shortly after Adamski was buried in a private service at Arlington National Cemetery.

He said that Adamski apparently died of a heart attack. -- The hospital indicated the reason his death was not reported sooner , was the original records listed him as Adams rather than Adamski. Authorities finally located Adamski's daughter, Mrs. Alice Wells, Vista.

About Lou Zinsstag's quote in which the "man well versed in mesmerism and hypnosis had told Adamski that 'there are people who will not lend themselves to either hypnotism nor mesmerism by direct suggestion.'" And, " He said I was one who would not (be suggestible), for I make thorough analysis before acting..." It is a well known trick of hypnotists to agree with those who say they can't be hypnotized. It establishes a rapport with the subject to agree that they can't be hypnotized. Then the hypnotist says something like, "Well, then, just close your eyes for a few moments so I can show you how guided imagery might work."

It is exactly as Adamski reported it. The subconscious "robot" mind responds usually to what might be called 'the language of the unconscious'. If the "influencer" confuses the analytical mind, or occupies it with the process of considering a paradox or a profound problem, and while it searches its various filing compartments ( which those skilled in the art of subconscious influencing can tell by the pattern of the subject's eye movements, and other involuntary responses) various linguistic approaches might allow access to setting up an "embedded command" which can be magically effective, in so much as the command appears to be congruent to the subjects desires. These techniques are no secret. This is spelled out in detail in the works of Milton Erickson and others. A complete knowledge of NLP, or the many various "schools" of Ericksonian hypnosis, serve as the only self defense I know of against such invasive "hypnotic" techniques.

As I pointed out in 1978, I will do again in this expanded edition: hypnosis is merely another technology which can benefit or harm. The trick of the unethical influencer is to manipulate the context so that the subconscious mind thinks that by performing on the embedded command it will help the individual achieve his outcome, when in fact he is actually giving the influencer his outcome without knowing it. When an embedded command is followed by a change of subject ( magicians call this "misdirection") amnesia sets in and the subject ( or in this case "target") forgets the command even after it's triggered.

It is possible that George Adamski was a victim of the MKULTRA program in more ways than one. Whether or not he had seen a UFO or photographed one, his alleged "trip to Saturn" and other adventures which served to debunk his credibility might have been carefully cultivated experiences in his unconscious mind. If this were the case, who can tell what produced the fantastic and apparently "unscientific" descriptions of the solar system and such claims that birds have migrated from one planet to another through space.

Ten years after Vallee's and Zinsstag's books came *The Controllers, Mind Control and Project MKULTRA, Modern Myth, Mass Manipulation and a New Hypothesis of "Alien" Abductions*<sup>250</sup> by Martin Cannon, a 64 page booklet originally published

<sup>250</sup> Cannon, Martin. *THE CONTROLLERS, Mind Control and Project MKULTRA, Modern Myth, Mass Manipulation, and a New Hypothesis of "Alien" Abductions*. Prevailing Winds Research, Santa Barbara.



in installments in the MUFON Journal, the house organ of an alleged CIA co-opted UFO organization.

Cannon posited that "the abductees have been abducted. Yet they are also spewing fantasy -- or, more precisely, they have been given a set of lies to repeat and believe. If my hypothesis proves true, then we must accept the following: The kidnapping is real. The fear is real. The pain is real. The instruction is real. But the little gray men from *Zeti Reticuli* are *not* real: they are constructs, Halloween masks meant to disguise the real faces of the controllers. The abductors may not be visitors from Beyond; rather, they may be a symptom of the carcinoma which blackens our body politic...

"...Substantial evidence exists," Cannon writes, "linking members of this country's intelligence community (including the Central Intelligence Agency, the Defense Advanced Research Projects Agency, and the Office of Naval Intelligence) with the esoteric technology of *mind control*. For decades, "spy-chiatrists" working behind the scenes -- on college campuses, in CIA-sponsored institutes, and (most heinously) in prisons -- have experimented with the erasure of memory, hypnotic resistance to torture, truth serums, post-hypnotic suggestion, rapid induction of hypnosis, electronic stimulation of the brain, non-ionizing radiation, microwave induction of intracerebral 'voices' and a host of even more disturbing technologies..."

Cannon agrees with CIA veteran Miles Copeland who once admitted to Robert Eringer of *Rolling Stone*<sup>251</sup>: "The congressional subcommittee which went into this sort of thing got only the barest glimpse."

Cannon argues that much of the testimony before Congress on the CIA's "brainwashing" efforts was perjury. He says the clandestine research into thought manipulation was not stopped but went operational and, he asserts, any claims to the contrary are cover stories. He presents evidence (as have we) that a number of government agencies, CIA, NASA, Atomic Energy Commission as well as a variety of agencies of the Department of Defense are all involved in research and operations to this day, and that the UFO abduction phenomenon, at least in part, is quite likely a continuation of the clandestine mind control operations.

"Perhaps the most interesting pieces of evidence surrounding the abduction phenomenon are the intracerebral implants allegedly visible in the X-rays and MRI scans of many abductees. Indeed, abductees often describe operations in which needles are inserted into the brain; more frequently still, they report implantation of foreign objects through the sinus cavities. Many abduction specialists assume that these intercranial incursions must be the handiwork of scientists from the stars. Unfortunately, these researchers have failed to familiarize themselves with

---

California, 1994.

<sup>251</sup> Eringer, Robert, "Secret Agent Man", *Rolling Stone*, 1985.

certain little-heralded advances in terrestrial technology," Cannon says. "The abductees' implants strongly suggest a technological lineage which can be traced to a device known as a 'stimoceiver,' invented in the late '50s-early '60s by a neuroscientist named Jose Delgado."

Addressing the large number of "implants" reported by abductees, Cannon writes: "If we are to take seriously abductee accounts of brain implants, we must consider the possibility that the implanters, properly perceived, *don't look* much like the 'grays' pictured on (Whitley) Strieber's<sup>252</sup> dustjackets. Instead, the visitors may resemble Dr. (Joseph A.) Meyer and his brethren..."

Cannon says, Meyer is "perhaps the most disturbing wanderer in this mind-field of the National Security Agency, the most formidable and secretive component of America's national security complex. Meyer has proposed implanting roughly half of all Americans arrested -- not necessarily convicted -- of any crime; the numbers of 'subscribers' (his euphemism) would run into the tens of millions.

'Subscribers' could be monitored continually by computer wherever they went. Meyer, who has carefully worked out the economics of his mass-implantation system, asserts that taxpayer liability should be reduced by forcing subscribers to 'rent' the implant from the State. Implants are cheaper and more efficient than police, Meyer suggests, since the call to crime is relentless for the poor 'urban dweller' -- who, this spook-scientist admits in a surprisingly candid aside, is fundamentally unnecessary to a post-industrial economy. 'Urban dweller' may be another of Meyer's euphemisms: He uses New York's Harlem as his model community in working out the details of his mind-managed system."

Meyer, Cannon suggests, could be one of the top men behind the abductee brain implants, the "scoop marks" and other scars on abductees bodies. "We would also have an explanation for the reports of individuals suffering personality change after contact with the UFO phenomenon."

By all indications, the Iron Mountain report was implemented by the secret War/Peace Research Agency, whatever it may be named. Environmental pollution has accelerated. New "invisible" forms of killing (viral infections) are appearing with increasing frequency. Evidence of experiments with bizarre religious cults, The Unification Church (Moonies), The Branch Davidians, The Peoples Temple and others testify to a secret hand on the pulpit. And now comes the clincher, victims of government mind control remembering enough to begin to testify about their "Alien" programming.

Lincoln S&L conspiracy witness, Paul Bonacci, testified to a number of code names for different programs. Some names matched those given by other victims

<sup>252</sup> Strieber, Whitley, *Communion*, and *Transformations* are the most well known of Strieber's books. They describe his supposed abduction by what he calls "visitors." ( Strieber took great pains in avoiding the claim that his abductors were from another planet.) Strieber was a successful fantasy and horror novelist before topping the bestseller list with *Communion* in 1987.

who did not know Bonacci. There was "Wizard of Oz" and "Alice in Wonderland". One project was code-named "Alien." Bonacci said "the alien program which they used... Alien was mainly under Star Wars..." (This would fit with Aquino's reported penchant to dress up like Darth Vader and it would be consistent with his frustrated literary urge to extend the Star Wars trilogy. Bonacci positively identified Aquino as one of his programmers.)

Satanic activities, Bonacci said, were also a frequent part of the Monarch programming. The Satanic and Alien programs took place "almost always on military ground." Bonacci said. "I said all the alien stuff happened in Colorado, up in the mountains, and also I think they did it mostly where there was hardly any chance that there would be a lot of people around." He described some of the alien programming as taking place in caves underground.

"They took you in the caves which they had set up. Some of them had an alien space ship so you would go into it," Bonacci said. "Even now they keep showing them movies that have alien space ships with caverns in them. If you got away from them and went around these caverns you'd think, well, man this is just like the movies."

Julianne McKinney, Director of the Electronic Surveillance Project of the *Association of National Security Alumni*<sup>253</sup>, reports that she has interviewed 125 victims of government mind control. One of them had apparently been part of the "Alien" programming. The woman, now an adult in her 40's, told McKinney of being used in the alien project as a young child because she was small and just the right size for wearing the costume of a "gray", the big-headed alien with big eyes and a skinny neck which many UFO "abductees" sketch under hypnosis.

"The woman was cult connected. She claimed to have played a role in the perpetuation of the UFO abduction myth; i.e., as a member of a DoD-affiliated Satanic cult. As a little girl she was made to wear an ET costume. When describing the costume, this woman said that the head and neck were manipulated by means of electronic gadgetry built into the costume. The *Babylon Five* preying-mantis costume -- which also had an elongated neck, and eyes which were situated far above the wearer's head -- is also operated by means of electronic gadgetry built into the costume. The ET costume worn by this woman antedated *Babylon Five's* special effects costuming by approximately 10 to 15 years," McKinney said.

"Have you noticed how the special effects technologies in science fiction films have evolved at approximately the same rate as the special effects being employed in so-called UFO abductions and sightings? The "flying saucers" reportedly seen by the public during the 1950's were about as sophisticated as those which were

portrayed in science fiction films during that same period. By today's standards, both were quite primitive.

"The special effects in today's science fiction films have become quite sophisticated," McKinney said. "Similarly, persons who now claim to have been abducted, or to have seen UFO's, are describing scenes and events which parallel those now being seen in science fiction films in the form of special effects.

"Having been given no reason to believe otherwise, I have personally concluded that so-called UFO abductions, and the events surrounding those abductions and sightings, are a "black" intelligence operation, involving government-sponsored kidnappings, experimental drugs, surgical experimentation, sophisticated electronics and directed-energy technologies, implantable microcircuited devices, experimental aircraft, Hollywood-style special effects, and the exploitation of so-called 'abductees' as sources of ova, sperm and aborted fetuses for use in government-sponsored genetics experiments.

"These reported activities do not require the involvement or intellectual input of extraterrestrials. In fact, given the alleged superior capacities of ETs, these UFO operations come across as being really quite bungled, redundant and primitive. Their failure to out pace Hollywood's development of special effects technologies or DoD's weapons technologies also points to totally human involvement.

"In sum," McKinney continued, " I see these UFO activities as being nothing more than a massive covert-intelligence fraud being perpetrated upon a gullible public -- a lucrative, large-scale mind-control operation, qualifying as an attempt at creating 'The Cult to End All Cults/ The Cult From Outer Space.'"

McKinney says another source told her that there was a project headed by Michael Aquino that involves the programming of so-called "UFO abductees." The source told her that this project is code-named *Greenstar* and is a mind-control operation involving an overlapping of satanic cults, the U.S. military and the UFO Community.

"Michael Aquino," McKinney said, "is alleged under these circumstances, to have his hand in two major types of DoD-sponsored mind-control operations; viz., Satanic cults and, now, UFO abductions."

Other researchers say there could be a long-term narco-hypnotic induction program using costuming and movie sets as covers for implanting terrifying "screen" or "scramble" memories of phony abductions by big-headed short gray aliens, the *editio vulgata* of ufology's abductee memories.

Bonacci described being given drugs in his Monarch programming. One drug they used, he said, was sodium pentothal. "They'd lower your consciousness level

just enough that you're aware of what's going on but your mental thinking is blocked..."

Denise Meyer, told us that small children in Nebraska, ages 4 and 5 were beginning to report "alien" encounters to their therapists<sup>254</sup>. " The kids are describing little green men that fit the description of the 'grays'. They also are describing green UFOs. It appears these are screen memories, used to block the memories of something else," Meyer said.

While "guesstimates" project numbers of victims of cryptocracy mind control to be in the tens of thousands, a 1993 Roper Poll has been interpreted to indicate that 6-10 million North Americans have experienced "alien abduction." Somebody must be working overtime.

If you still have serious doubts that mind control could be part of Project Alien (or some such named activity) take a look at this letter from Walter B. Smith, the Director of the CIA. Declassified on 20 April, 1977 the letter is thought to have been written in 1952:

CENTRAL INTELLIGENCE AGENCY  
WASHINGTON 23, D.C.  
OFFICE OF THE DIRECTOR

MEMORANDUM TO: Director, Psychological Strategy Board  
SUBJECT: Flying Saucers

1. I am today transmitting to the National Security Council a proposal (TAB A) in which it is concluded that the problems connected with unidentified flying objects appear to have implications for psychological warfare as well as for intelligence and operations.
2. The background for this view is presented in some detail in TAB B.
3. I suggest that we discuss at an early board meeting the possible offensive or defensive utilization of these phenomena for psychological warfare purposes.

Enclosure                      Walter B. Smith  
Director

Of course TAB A and TAB B could not be found. So much for the value of the Freedom of Information Act.

---

<sup>254</sup> Meyer, Denise, Telephone conversation with the author, June 4, 1994, Tucson to Lincoln, Nebraska.

Many of the survivors of the so-called Project Monarch are remembering alien scenarios, while "ordinary folks" are those reporting their abductions. The thing they both have in common is the amnesia they experienced for so many years after the event.

Without question, most of the effects described by the abductees can be duplicated by cryptocracy mind control "handlers." In fact, one prominent "deprogrammer" suggested that, after working out the appropriate legal documents to protect him from liability, he would ask for abduction volunteers. His idea was to bring the volunteers before an audience at one of his lectures and "perform" the programming (with high voltage shocks) which creates the same "screen" memories and missing time that the "abductees" are reporting.

The most recent reports grow more disturbing and more difficult to explain entirely by what we know of the state of mind control arts. A letter came from a Colorado woman who previously reported to me an encounter she had with what appeared to be an "alien" along with a human male who appeared to be a government "techie". She is in contact with other "abductees" and just before we went to press sent us some e-mail about two other friends who had experienced similar events:

I have some new testimony which may be of interest to you. this concerns the abduction of two other women. I have requested permission of these two women to share their experiences in the hope that it will generate interest and help demonstrate a connection between your studies and ours. This type of encounter is VERY common in abductions scenarios.

In the words of one: "A few months ago one of my experiences involved a pelvic exam and my asking telepathically "why, why, why" and being told by a rather sarcastic male voice "because you like it so much." I then saw two male human beings. I was told one was CIA and one was FBI and that they were going to make sure I didn't try to leave the country."

This type of experience is NOT a 'classic' abduction experience but is not uncommon to those who have had the sense to begin to study, question and explore this phenomena. Many people do not try to find out what is happening to them but simply follow as sheeple. The 'pelvic' exam is common but the sarcastic male voice is not. There is no gender associated with the telepathic communications in typical abductions and there is no emotion, sarcastic or otherwise.

The next scenario is from memory of a telephone conversation with another contact. I can get it in print in her own words if interested. She said she remembered awakening on her feet and being kind of lead/dragged down a hallway. As she became more aware, she

struggled with humans and was tackled by a very large woman who gave her an injection. She was then rendered helpless and led to a room with metal chairs and was seated in one. A human male in some kind of uniform repeatedly screamed at her: "You will move to Oklahoma and start a community there. You will take your children and go to Oklahoma and start a community there." As she began to recover more physical control, she bolted for the door and was tripped by the chair. She fell very hard on the floor, landing on her hip and experienced considerable pain. She doesn't remember much more than. However, the next day she remembered being injected. She found a needle puncture wound and also a terrible bruise on her hip where she had fallen.

Now, regardless of what has happened to these women and myself, SOMETHING did happen and continues to happen to all of us and many others. It's entirely possible that Martin Cannon is correct in attributing the abduction phenomena to government interest. It's also possible that there are other factors involved. The source is not the relevant point of interest here. What IS vitally important is the complete and total control that is exercised over the humans experiencing this. If it is a purely mental experience, it is externally generated. Who is generating it and why? If it is physical, as the evidence suggests, then there is a technology involved that makes MKULTRA look like kindergarten. Delgado's experiments with remote stimulation seem to be much closer to the technology being seen here. However, I suggest that this technology has surpassed the need for any 'implants' being first placed in the brains of subjects. Then again, this could have been done at almost any point in a persons life if hospitalization is required. Most women are hospitalized for childbirth. But, regardless of the use of implants, the control of the physical bodies and the minds of many people is being reported from around the world.

I had an experience in February of this year (1994) that frightened me more than any other because of the TOTAL control it involved. I left myself proof.

I'll be brief: I awakened at 4:00 am and remembered that at some point during the night there had been 3 'critters' in my bedroom. I remembered telling them that "Ok, You are finished now get the fuck out of my house," as I sat up in bed and pointed towards the back door. This is the only conscious memory I have of that experience. However, after I got up and went into the kitchen to make coffee, I was shocked to see my down parka, which had been in the very back of my closet the night before, laying on my living room floor. Also, my front door was unlocked. No big thing until you understand that I live in a county with 13 local, state and federal prisons. I NEVER leave my

door unlocked. The ritual of the door locking extends to my getting out of bed EVERY night for that third check just to make sure I had locked it. At the very least, I was, at some point during the night, compelled to leave my bed, get my parka out of the closet, walk to the living room, unlock the door, drop the parka on the floor and return to bed to 'see' these three critters. The fact that it was February in Colorado suggests that I may have gotten the parka because I was compelled to leave the house on a very cold night. There was no evidence to suggest that I actually left the house. I have never been known to 'sleep walk'.

The above experience was the most profound for me since 1: there was physical evidence of total control of my body, 2: there was almost complete control of my mind including almost total amnesia of the event. I say 'almost' because I feel that I left the parka on the floor as a message to myself and I remembered the 'ending' of the event consciously. One could suggest that I was 'allowed' to leave the coat on the floor and that I was 'allowed' to remember the ending. Once again, regardless of any 'allowance', the control was there. This kind of control is total. It demonstrates an 'ultimate' weapon -- the total control of the human mind.

These experiences are not the product of delusional women and men around the world but are actual experiences. They may be mental or physical, they may be government related or 'other' related. They are, however, generated from an external source and suggest that 'mind control' is not limited to the 'biological' mode previously attempted. I suggest that 'wave' or 'beam' technology is at play here and I find much evidence to support this in the studies of electromagnetics and the effects on the human mind and body, and also in the study of theoretical physics and related subjects.

The examples I have presented to you, now and previously, are but a very few of the many I have in my files. Ufology books are filled with similar accounts that suggest the use of 'wave' technology.

Hopefully, you will be able to glean what I'm trying to convey -- the most important issue that faces our world today. I'm scared to death and fear for my fellow humans. I KNOW that I am an intelligent, rational, logical and analytical person as are most associated with this phenomena. If this can be done to me, and those like me it can be done to all of us...

Ed Conroy, writing in his book *REPORT ON COMMUNION, The Facts Behind The Most Controversial True Story of Our Time*<sup>255</sup>, describes the climate in UFO research circles:

---

<sup>255</sup> Conroy, Ed, *REPORT ON COMMUNION, The Facts Behind The Most Controversial True Story of Our Time*, Avon Books, New York, 1989.



"The possibility may indeed exist that by means yet to be developed, some UFO phenomena may one day be 'proved' to be of a truly extraterrestrial origin (whatever that designation might really mean in terms of the physics of interstellar travel), but for the moment it appears that the advocates of the "extraterrestrial hypothesis" are moving more toward the creation of a New Age religious movement founded upon tenets of *irrational belief* than toward improvements of their hypothesis that would make it more testable.

"While such observations concerning the problems of making a religion out of UFO contact may seem obvious to the seasoned reader of UFO literature, they tend to get missed so frequently in public discussion of abduction phenomena that I believe my emphasis is not misplaced," Conroy wrote. "Would it be unreasonable to observe that in the face of the mysteries posed by UFO sightings and apparent visitor experiences, the human imagination rushes in to fill the gaps, created by our own ignorance, aided by plenty of emotional longing for some kind of relief from life's tedium? (Or the ineptitude of human awareness?)"

"The questions opened by considering the relation between visitor abduction phenomena and the human mind are formidable..."

The UFO developments certainly fit one of the *Report From Iron Mountain's* requirements for a war substitute: "'Sociological: Motivational function. b) New religions or other mythologies."<sup>256</sup>

There's a growing body of self-published literature that points to the awareness of a mounting (phoney?) alien invasion. William R. Lyne's book *Space Aliens From The Pentagon*<sup>257</sup> tells of the author's own frustration with the U.S patent office and the State of New Mexico which, he says, ran him ragged with litigation and harassment after he stumbled across proof of a Nazi experimental P2 "saucer" flown in New Mexico in the 1930's, which ran on technology invented by Nicola Tesla in the 1890's.

His book, Lyne writes, "is the first to expose a BIG LIE mind-control hoax copied from the Third Reich, and covertly implemented through "national security" means, to perpetuate the coercive monopoly of a corporate-state elite. By stealing, concealing, or suppressing advanced technology, they insure our continued dependency on archaic petroleum and nuclear technology. Through the mass-media we are brainwashed with scientific lies and misinformation, and "indoctrinated" with Nazi-created "parapsychology", designed to "stretch our credulity", so we will indiscriminately accept on *faith*, a "psychic" BIG LIE religion and *Platonist epistemology*, which makes us easier to exploit as a slave people. To this end, flying saucer technology of relative simplicity and phenomenal potential was stolen from Nicola Tesla, and has been concealed from us for over 50 Years."

<sup>254</sup> *Op. cit.*, p. 84.

<sup>257</sup> William R. Lyne, *SPACE ALIENS FROM THE PENTAGON, Flying Saucers Are Man-Made Electrical Machines*, 1993, Larry, New Mexico 87540.

In 1953, the book says, Lyne and seven others saw a flying saucer at close range. He studied its behavior, and after thinking about it for thirty years, published his book which is a thought provoking piece of folk art. Besides Lyne's caustic rhetoric, the book contains his well executed original drawings of how a saucer works, and photos of a celestial guidance system" from a WWII-vintage Nazi "Kreisel Teller" ("Gyrating Saucer.") In the last pages, as a final gesture of defiance to the cryptocracy, Lyne gives the designs for his saucer to the public with the proviso:

...the purchaser or reader is notified of, and hereby understands and agrees to the following:

1. That she or he assumes all physical risks of any harm to anyone attendant to the constructing, testing, flying, or attempting to fly, a flying saucer constructed as herein suggested,
2. that the author assumes no liability whatsoever...
3. that the purchaser or reader... hereby assumes complete responsibility...
4. It is hereby agreed and understood that these plans are hypothetical, provided only for the purpose of the investigation and understanding of flying saucer theory, flight and construction, and that the author gives no warranty, either express or implied, that a flying saucer constructed according to these plans will work or be safe to the operator or others...

Lyne writes: "The magnitude by which electricity overcomes the force of gravity, is rivaled only by the magnitude by which the lies of our government and the Trilateralists have overcome our rationality. Justice, in redress of these crimes, should be by public punishment of the traitors responsible. They have perverted the instruments of democracy to seduce innocent minds..."

"The secret government is... waging a subliminal brainwashing war against us, in violation of our right to government only by our consent. They are using movies, T.V., books, magazines, children's stories, and all forms of propaganda, from the cradle to the grave, to criminally undermine the very epistemological underpinnings of rational existence. We have not "consented" to a fraud of which we are unaware. To cut right through all the baloney, our government...(has) created the whole "alien" scenario to brainwash us..."

Thus spake the common man, who, like most common men, hath remarkable insights.



**SECURITY**  
**IS NO**  
**ACCIDENT...**

**IT HAS TO BE  
PRACTICED!**

**WINNER  
SECURITY POSTER OF THE MONTH**

621 W.H. Bowart



## SHARE OUR VISION.

The Knighthelm helmet from GEC Avionics integrates human perception and electronic sensors. Instead of a Head-Up Display, there's an On-Head Display, with Infra-red and computer-generated imagery displayed in perfect focus before the pilot's eyes, and targets selected by the pilot's line of sight.

Knighthelm's missions are clearly defined: night attack, air superiority, reconnaissance. The options range from Instrument-compatible night vision, to a display that replaces many of the existing instruments.

Knighthelm isn't science fiction. It's here and now. At GEC Avionics, we don't build on the past. We start with the future, and work back.

# GEC

For more information, contact Jerry Fisher at:

GEC Avionics Limited,  
Airport Works, Rochester, Kent, England  
UK Tel (0634) 844400.

# KNIGHTHELM.

### FALSE MEMORY SPINDROME

Memory is illusive in some cases, vivid in others. A Roper poll conducted in 1993 suggested that up to 20 million people in North America may have memories of "alien" abductions. In 1994 Dr. Colin Ross said that he heard someone on a CBC radio broadcast say that they had evidence that 750,000 babies had been ritually sacrificed. FBI ritual abuse "debunker" Kenneth Lanning in 1992 said that there were 50,000 missing children in the U.S., which law enforcement reports said people believed were "being murdered in human sacrifices..."

Incest and child sexual abuse reached epidemic proportions. The generally accepted statistics in 1993 were as follows:

- One out of three girls and one of five boys would be sexually molested before the age of eighteen.
- A child was sexually abused every 2 minutes with over 95% of the abusers being someone the child knows and trusts.
- For every case reported, there were twenty-five cases that went unreported.
- Only 5% of all sexual abuse cases ever went to court. In 50% of those cases the child was returned to the abuser.
- Approximately 97% of child prostitutes were incest victims.
- Child sexual abuse was a major cause of teenage suicide.
- One in ten homes were involved in child sexual abuse.
- A high percentage of abused children develop dissociative identity disorders.

Then, just as the legions of abused children (now grown to adulthood) were beginning to remember satanic abuse, (the ranks of diagnosed cases of Multiple Personality Disorder had reached 25,000 in the U.S.) and Harvard University's Dr. John Mack was enjoying celebrity as the author of a book on alien abductions, and about twenty percent of those diagnosed as suffering from Multiple Personality Disorder<sup>258</sup> (MPD) were being discovered to have military or intelligence backgrounds, a "robust and adroit" public relations effort was mounted against those who were beginning to remember all sorts of details which related to their

<sup>258</sup> Ross, M.D., Colin, in an interview with the author. Ross estimated that about 20% of his patients at Charter Hospital (which gets a cross-section of referred patients from all over the country) had military or intelligence backgrounds.

abuse as children. Groups were quickly formed to debunk such "nonsense." One was spearheaded by a woman who was herself named by her daughter as a child abuser. Her name was Pamela Freyd and her organization was the False Memory Syndrome Foundation (FMSF) which sprang suddenly up from nowhere.

Dr. Randy Noblitt, wrote an article in *The Newsletter of The Society for the Investigation, Treatment and Prevention of Ritual and Cult Abuse*<sup>259</sup> which makes the point well: "There is a long history of abuse of children and a lengthy tradition of denial regarding such practices. Similar denial and minimization of other crimes against humanity include the Holocaust revisionists who deny or minimize the reality of the Nazi death camps. Another even more subtle example of institutionalized denial, in this case by the perpetrators themselves, is reflected in the efforts of a bogus organization called the Italian-American Civil Rights League. Like the FMSF, which does not actually appear to be interested in the broad subject of false memory, the Italian-American Civil Rights League was not really created to promote the civil rights of Italian-Americans, something which would, like the study of false memory, be a worthy cause. Instead, the Italian-American Civil Rights League was primarily devised to deny the existence of the Mafia. This organization (founded by Joseph Colombo who was, at the time, the head of a major New York crime family), was so powerful that it drafted Governor Nelson Rockefeller as an honorary member and reputedly influenced the production of the movie *The Godfather* to omit the word, *Mafia*, from its script. It is unfortunate that organizations which have been created to advocate some unpopular cause (e.g., the protection of alleged criminals and accused child abusers) can legally utilize alternative terminology to describe their actual agendas. However those involved parties in the mental health and related professions may come under fire for violation of professional ethical constraints which prohibit what may be considered to be false and misleading statements."

Rallying a roster of "prestigious names from the therapeutic community", this group was an instantly solvent (it's budget soared to a half million dollars) and most effective organization that put a lot of "spin" on the facts. On its quickly assembled advisory board were psychologists and psychiatrists who were eager to attack therapists of abused children and particularly therapists who were treating people who suffered from MPD recently changed to Dissociative Identity Disorder (DID) by the American Psychiatric Association.

Often ad hoc committees form spontaneously to meet a need, but that would not seem to be the case with this group. This politically active group seems to have been spawned by a self-centered individual who was more than a capable propagandist. In fact she was such a good propagandist and had such powerful connections, it is not difficult to wonder if the cryptocracy might have used

---

<sup>259</sup> Randy Noblitt, Ph.D., *Multiple Choice: Which of the Following is most false: (A) The Memory, (B) The Syndrome, or (C) The Foundation?*, *The Newsletter of The Society for the Investigation, Treatment and Prevention of Ritual and Cult Abuse*, P.O. Box 835564, Richardson, Texas 75083-5564, Vol. 1, Number 3.

sociologist, Dr. Pamela Freyd's personal interests against her daughter's therapists as a tool to confuse the therapeutic community and the courts and as a cover-up for the unraveling reality of trauma based mind control. Or, Pamela Freyd, founder of the FMSF, might have known of the cryptocracy's wide-spread use and abuse of MPD children in their "black" arts programs, and used good common sense to recruit her natural allies, the MKUltra doctors who filled her board of advisors along with a number of apparent paedophiles.

The cryptocracy most likely funneled money into the organization and otherwise supported it, probably for the purpose of keeping secrets such as Project Monarch and discrediting mind control "slaves" who knew where the bones were buried. As far as anyone can tell, the FMSF's reason for being was to testify in court against people who were remembering their abuse as children. The FMSF was not interested in discovering proofs and descriptions which would help therapists identify the alleged "syndrome" it had created.

A number of the leading psychoscientists have pointed out that there is actually no clinical entity which is accepted within the community of health care providers by the designation, False Memory Syndrome. According to Richard Lowenstein, M.D., "FMS is a syndrome without signs and symptoms (the defining characteristics of a syndrome)". Lowenstein observed that "One agenda of at least some members of this foundation seems to be that of creating a standard legal defense for well-to-do individuals who may be sued by their children alleging childhood sexual abuse."<sup>260</sup>

Despite the "extreme skepticism" of the FMSF toward the possibility that ritual abuse does occur, a survey by Perry (1992) showed that 88% of a large sample of therapists across the US do believe that ritual abuse is a legitimate problem in modern times. More and more therapists are catching on to the cryptocracy's access and use of the MPD state for the purposes of organized criminal activity and/or "intelligence" operations.

Pamela Freyd, Ph.D., is a sociologist, the mother of Professor Jennifer J. (J.J.) Freyd, Ph.D., of the University of Oregon, Department of Psychology in Eugene. J.J. went into therapy in December 1990. She began to recover memories of her parent's abuse of her as a child. By fall of 1991, six months after J.J. went into therapy, Pamela Freyd began writing derogatory things about her daughter and protesting her memories as false.

On the NPR evening radio news show in 1992, "All Things Considered," reporter, Wendy Schmelzer, said "For the last year, Dr. Freyd has criss-crossed the country attending similar meetings; each time with the same message for her audience -- 'you are not alone. My husband and I were also falsely accused,'"

Pamela Freyd's daughter, J.J., a psychotherapist and professor had to defend herself. After a long period of silence she said finally: "I am the daughter they claim has falsely accused them..."

"...My mother published her version of being falsely accused under the name 'Jane Doe' and this published story has been circulated widely. Many people learn of the Jane Doe story in such a way that they know it is about the Freyd family; others learn the story without knowing the identity of the characters, but believing the details to be accurate... As one clinician said at a national meeting recently about the FMSF: "there is persuasive evidence that this organization grew out of one family's feud that's overgrown its boundaries and come into the popular culture.'

"...The truth I wish to speak about... pertains to **patterns** of behavior. I will speak about a pattern of behavior my parents have exhibited toward me in my childhood and continuing into the present: a pattern of boundary violation, a pattern of invasion and control, a pattern of inappropriate and unwanted sexualization, a pattern of family and relationship dysfunction, and a pattern of intimidation and manipulation..." J.J. finally said in 1993 in a presentation entitled *Theoretical and Personal Perspectives on The Delayed Memory Debate* which she presented for The Center for Mental Health at Foote Hospital's Continuing Education Conference: Controversies around recovered memories of incest and ritualistic abuse in Ann Arbor Michigan...<sup>261</sup> And after months of keeping silent in the face of her mother's nameless accusations, conservatively, scientifically, then personally, Dr. J.J. Freyd did speak:

"My parents are step-brother and -sister to each other. My mother's mother married my father's father around the time my parents got married... My parents are estranged from myself, my sister, and my uncle (my father's only sibling). My parents' estrangement from my uncle originated almost 20 years ago.

"My parents have severely violated my privacy. They used the Foundation in a personal way. Earlier this year, for instance, my mother wrote a personal letter to my mother-in-law on FMSF letterhead, signing the letter with her title as Executive Director. The letter, which is dated February 17, 1993, was hostile to my husband and me, included the name of my therapist, and implied that my mother-in-law might be "cut off from the grandchildren." This entirely unsolicited letter was deeply upsetting to my mother-in-law, a woman in her late 70s living alone and with no desire to have contact with my parents (she had experienced my father as verbally abusive and had avoided contact with him long before my husband raised the topic of my childhood sexual abuse with her). With her letter, my mother included the FMSF brochure. This is embarrassing and painful to me.

---

<sup>261</sup> Freyd, Jennifer J., Ph. D., *Theoretical and Personal Perspectives on The Delayed memory Debate*. A presentation for The Center for Mental Health at Foote Hospital's Continuing Education Conference: Controversies around recovered memories of incest and ritualistic abuse. August 7, 1993, Ann Arbor, Michigan.



It is as if the weight of a whole Foundation stands behind my mother's frenzied denial of my reality..."

J.J. read sections from an e-mail message from her father dated November, 1992, in which he comments on her rejections of their offer to be on the FMSF advisory board:

"The thing that is requiring a bit of work is preventing news stories in Oregon. We have a lot of members not just from Oregon but with children who are in Oregon involved in rather radical feminist (often lesbian) cult-like groups. We have been trying to hold off coverage. You mentioned that friends are sending you stories from around the country. Please note that these had to be sent to you: there haven't been (at least to our knowledge) any stories printed in Oregon about the FMS Foundation. My guess is that your views of most of the groups in question wouldn't be that different from ours. The best way to control these stories when they appear is to control them. Instead of avoiding them. I think it would serve the interests of all of us if we established some communication about his stuff... I am sorry that you so resent the extent to which we have gone public. I am sorry that it didn't occur to me that you would so resent it. I assumed that you would know what we would do in a case like this: it surely is one of the more predictable things I've ever done. (It would be totally out of character for me to keep my mouth shut; even so, I did just that for over a year.) And when we asked you to become an advisor of the Foundation I actually thought you would agree. I don't mean that I was sure that you'd want your named used (I thought it possible) but that you would want to be on our mailing list.) I still insist on thinking of our Newsletter, indeed the whole project, as being primarily a way of communicating with our daughters..."

J.J. continued by reporting "boundary violations" in this case, actions which would be considered to be a breach of ethics in therapeutic circles: "For example," she said, "board member Harold Lief was my mother's psychiatrist for many years. He explained to me that he did not believe I was abused because in the early 1980s, when he met with my father once or twice in order to admit him to Silver Hill for treatment for alcoholism, he learned that my father's erotic fantasies were 'entirely homoerotic'. Now, I won't count it an ethical blunder to make the unfounded argument that a man with homoerotic fantasies in a heterosexual marriage is incapable of molesting his prepubescent daughter, but I do wonder about the ethics of telling the daughter of his patient such information -- did I ask to know about my father's sexual fantasies? Most emphatically 'no!' "(FMSF) Board members Orne and Wakefield were also names my parents first mentioned to me in therapeutic, not collegial roles. For instance, Orne was consulted by Lief about my father and I understand that this consultation included sessions with my father. My mother asked me to call (Hollida) Wakefield (who is married to board member Underwager) and discuss with her our family situation. In

psychology, at least, there are very specific ethical codes about dual relationships that would seem to be violated in these cases."

What J.J. Freyd did not say was conspicuous among the FMSF's Advisory Board was Dr. Martin T. Orne of MKultra fame was the head of the Office of Naval Research's Committee on Hypnosis and helped develop the coercive use of hypnosis for the cryptocracy. Orne also was the author of Patty Hearst's "brainwashing" defense.

Dr. Orne, M.D., Professor of Psychiatry at the University of Pennsylvania and the Institute of Pennsylvania Hospital in Philadelphia has long been an active spy-chiatriest, a master mind manipulator, author of several CIA supported studies on hypnosis in interrogation and related subjects of cryptocratic interest. ( Orne was also on the powerful Controlling Committee of the Council on Scientific Affairs of the American Medical Association. Also on that crucial council were Bernard L. Diamond, an MD who hypnotized Sirhan Sirhan, and there were a number of MKultra psycho-scientists.)

FMSF board members Hollida Wakefield and her husband Ralph Underwager, Ph.D., Director of the Institute of Psychological Therapies at Northfield, Minnesota, gave an interview in a Dutch paedophile magazine, *Paidika*. While Wakefield remained guarded, sticking to the safe line of psychoscience, her husband, Dr. Underwager spilled the beans saying, " Paedophiles need to become more positive and make the claim that paedophilia is an acceptable expression of God's will for love and unity among human beings."

Further in the interview Underwager said: "Of course, I'm not privy to God's will. I do believe it is God's will that we have freedom. I believe that God's will is that we have absolute freedom. No conditions, no contingencies. When the blessed apostle Paul says, 'All things are lawful for me,' he says it not once but four times, 'All things are lawful for me.' He also adds that not everything works."

Underwager is the author of a number of publications on the subject of sexual abuse of children which are frequently cited in legal cases. According to Dr. Randy Noblitt, "One of his (Underwager's) major forensic works was found to have numerous distortions and errors in a study supported by a grant from the New England Commissioners of Child Welfare Agencies."<sup>262</sup>

Not only are there Mkultran crypto spy-chiatriests on the False Memory Syndrome Foundation's founding advisory board, there would also appear to have been paedophiles at its helm.

---

<sup>262</sup> Salter, Anna C., Ph.D., *Accuracy of Expert Testimony in Child Sexual Abuse Cases: A case study of Ralph Underwager and Hollida Wakefield*, unpublished monograph, cited by Randy Noblitt, Ph.D. in *Multiple Choice: Which of the Following is the most false: (A) The Memory (B) The Syndrome, or (c) The Foundation*, in VOL. 3, Newsletter of The Society for the Investigation, Treatment and Prevention of Ritual and Cult Abuse, Fall/Winter 1993-94.

J.J. Freyd continued with the rebuttal forced by her mother's mission to plant the solid belief that "false memories" were the norm rather than the exception:

"I remember dancing nude in front of my father with a friend when we were each 9 or 10 years old. we were decorated as playboy bunnies (little bunny tails pinned to our backs and so on). I remember my father communicating approval of the nude dancing. I remember my father reading my diary. He does not deny this, but claims I 'wanted' him to read it because I left it in sight. I remember my father listening in on telephone calls by lifting another extension of the telephone when my mother was on the phone. I remember my father standing in the doorway watching me kiss a boyfriend. I looked up from my boyfriend to discover my father standing there, still and silent. I remember verbal abuse, often in front of non-family members.

"During my childhood, my father sometimes discussed his own experiences of being sexually abused as an 11-year old boy. He discussed these experiences, however, not in terms of 'abuse' but in terms of precocious sexuality. He called himself a 'kept boy' and explained he later became a 'male prostitute'. He claimed he eventually decided to become heterosexual because it would produce a better life; he emphasized it was a matter of will to change his orientation. My father encouraged me to read Nabokov's *Lolita* when I was of an age that allowed me to identify with *Lolita*; he then discussed the book with me in the living room.

"One time," J.J. Freyd continued, "when I was visiting my parents house as a young adult their dog started to 'hump' a male visitor sitting in the living room. My father then explained to those of us in the living room that the dog could detect my or my sister's sexual interest in men and she then expressed that by humping those men. More recently, I attempted to discuss this with my father, expressing some of my confusion and feelings of violation about the event. I asked my father why he would say such a thing. He responded by telling me that dogs can in fact detect sexual interest. My father then told me a story about another dog he had owned who clacked her teeth at menstruating women. When I discussed with my parents one of the memories I had recovered, my mother's reaction was that the memory had to be false because if the sexual event I was remembering had actually occurred their dog would have made a lot of noise -- which my mother would have heard -- as dogs always joined, apparently noisily, -- in human sexual events...

"False Memory Syndrome -- Destroying Families," J.J. Freyd said. "For me, and many others, the bitter irony is that the memories -- false or true -- did not destroy healthy families... But my family was not simply a happy, healthy family. It was a deeply troubled family, and its destruction did not begin simply by my entering therapy at the age of 33."

Shifting to the overall picture of the False Memory Syndrome Foundation and its disproportionate clout, Pamela Freyd sheds more light. In an interview with Dr. David L. Calof, editor of *Treating Abuse Today*<sup>263</sup>, Freyd denied the veracity of satanic abuse reports and the widespread reports of trauma from "alien" abductions:

"We have been assured in several conversations that evidence of satanic activity of the sort that has become a popular myth in our country simply does not exist. It must be obvious to rational people that accusations based on memories that include satanic ritual are delusions of some sort. For those of us who are only accused of 'run-of-the-mill incest,' this should turn out to be some help. If 'memories' of satanic abuse can be induced in therapy, then so can 'memories' of incest or anything else."

Despite the extreme skepticism of Freyd's FMSF toward the possibility of ritual abuse, a 1992 survey by N.E. Perry showed that 88% of a large sample of therapists across the US believed that ritual abuse is a legitimate problem in modern times. Dr. Randy Noblitt writes: "To ignore the outcries of children and adults would be inhumane; to refuse to investigate their claims would not only be an abandonment of civilized behavior, but it would also be unscientific. In science we are taught to hold no prejudices about the universe nor human nature but simply to gather data until we are able to distinguish genuine empirical relationships from untenable theories. There is an accumulating body of data which points to the reality of ritual abuse. As scientists, as humanitarian people, we cannot afford to abandon this inquiry."<sup>264</sup>

One of the FSMF's board members, Elizabeth Loftus, Ph.D., is a professional "expert witness" in legal matters, who presents the foundations skeptical view of delayed memories of childhood sexual abuse. Judith Lewis Herman, M.D., Associate Clinical Professor of Psychiatry at Harvard and Mary R. Harvey, Ph. D., a Lecturer in Psychiatry at the same university answered Loftus' argument: "Because most child victims do not disclose sexual abuse while they remain under the authority of their abusers, some states have extended their statutes of limitation to allow adult survivors legal redress. Some of these reforms permit action by survivors who experience delayed recall of the abuse after a period of full or partial amnesia. A few highly publicized cases have been decided in favor of adult survivors..."

"Several independent large-scale studies have documented the nature and prevalence of sexual assault in the United States," Herman and Harvey write. "In

<sup>263</sup> Calof, David L. "A Conversation with Pamela Freyd, Ph.D., Co-Founder and Executive Director, False Memory Syndrome Foundation, Inc., Part I." *Treating Abuse Today*, Vol. 3, No. 3, p. 25, Clinical Training Publications Inc., 2722 Eastlake Ave. E., Suite 300, Seattle, Wa. 98102.

<sup>264</sup> Noblitt, Randy, Ph.D. in *Multiple Choice: Which of the Following is the most false: (A) The Memory (B) The Syndrome, or (C) The Foundation*, Vol. 1., No. 3, Newsletter of The Society for the Investigation, Treatment and Prevention of Ritual and Cult Abuse, Fall/Winter 1993-94, P.O. Box 835564, Richardson, Texas 75083.

these studies trained interviewers have obtained detailed information from large community samples of adult women, revealing that rape, incest, and childhood sexual abuse -- defined in accordance with prevailing law -- are common experiences. The best study, by the sociologist Diana Russell, indicates that one girl in three is sexually abused by age 18, one in four before age 14. Most abusers are known and trusted people in a position of authority over the child. Many are family members. This abuse is vastly under-reported, because offenders usually succeed in silencing their victims. Probably less than 10% of child sexual abuse cases come to the attention of protective agencies or police...

"The consensus of researchers is that false complaints by children are rare, in the range of 2-8% of reported cases. False retractions of true complaints are far more common, especially when the victim is insufficiently protected after disclosure and therefore succumbs to intimidation by the perpetrator or other family members who feel that they must preserve secrecy..."

Several researchers, deprogrammers and therapists told me that the memories begin to flood in, and recovery begins, after the handler of a Project Monarch survivor dies, or when the survivor ( if female) has their first child. Often, the handler is one or both of the parents of the survivor.

"Working with 53 female patients in group therapy, most of whom reported delayed recall after a period of partial or complete amnesia, Judith Herman and Emily Schatzow found that the majority (74%) were able to obtain independent corroborating evidence for the abuse. In some cases their stories were confirmed by other family members or other victims of the same perpetrator. Some found physical evidence such as pornographic photographs or diaries. In several cases the perpetrators unapologetically admitted their actions, and a few even tried to renew the sexual contact. Five women (9%) found evidence that was strongly suggestive but not conclusive. Six (11%) did not try to confirm their memories. Only three (6%) could not find any supporting evidence. Although more research is needed, these results suggest that delayed recall of sexual abuse is as verifiable as any other form of disclosure.." Drs. Herman and Harvey reported.

Partial or even complete amnesia for childhood trauma is well documented. In a follow-up study of 200 children who had been treated for sexual abuse, Linda Meyer Williams of the Family Violence Research Laboratory at the University of New Hampshire found that one in three did not recall the experiences that had been documented in their hospital records 20 years before. "How much is remembered depends on circumstances," Drs. Herman and Harvey said. " In general the younger the child and the more violent the experience, the greater the likelihood and the severity of amnesia..."

Delayed recall of traumatic events after a period of amnesia is also well documented. The most recent example is the widely-publicized case of Father

James Porter, a Catholic priest who, by his own admission, molested more than 100 boys and girls in several states. Many of Porter's victims, including the first to come forward, testified that they had recalled the abuse after a period of amnesia. "In these cases," Drs Herman and Harvey said, "both the fact of the abuse and the phenomenon of delayed recall are beyond dispute.

"The causes of delayed recall are poorly understood. Often it occurs when the survivor is in her twenties or thirties, but we have seen it even later in life. A common precipitant is a change in an intimate relationship. Memories may surface when the survivor begins a sexual relationship, gets married, or has a child, or when this child reaches the age at which the survivor was first abused. Delayed recall may also occur when another victim of the same man discloses abuse, as in the Porter case," Drs Herman and Harvey said. "Sometimes the trauma is recalled only when the aging perpetrator dies, or falls ill and expects the victim to care for him.

"When traumatic memories break into awareness, distress can be overwhelming. Survivors are frightened, ashamed, depressed, and tormented by flashbacks or nightmares. They may feel suicidal or fear they are going crazy. At such times many people seek therapy. In our experience, they are far more likely to see a therapist because they are troubled by new memories than to unearth new memories at the instigation of a therapist. Furthermore, the process of uncovering one's history does not depend on a single memory. New Memories must be gradually blended with old ones and alternative explanations weighed until a coherent and largely verifiable account is constructed. No patient is eager to discover that she was violated by people she loved and trusted. In fact, patients tend to cling to their doubts long past the point where most impartial observers would be convinced. That is why many therapists and self-help books encourage survivors to have confidence in their suspicions.

"Some therapists do try to play detective, making unwarranted inferences about their patients' histories without waiting for the story to unfold. But overzealous, incompetent, or even frankly exploitative therapists do not have enough power or influence over their patients to impose an elaborate form of mind control. Psychotherapy cannot be compared with coercive interrogation; the power imbalance between patient and therapist is not nearly so extreme. Most psychotherapy is collaborative. Therapists often make suggestions, but patients will respond only when those suggestions resonate with their own feelings and experiences," Drs. Herman and Harvey said. "If a therapist is on the wrong track, most patients simply say so. If the therapist persists in pursuing a false hypothesis, therapy is ineffective, and the patient will usually look elsewhere for help.

"Legitimate concerns have been raised about the heightened risk of suggestion when hypnotherapy is used. In our experience, however, most patients recover

their memories without using hypnosis at all, and even those who do use it rarely rely on it as their main source of information. In a review of over 200 cases seen in our trauma program this year, we could find only one in which a patient based her belief that she had been abused solely on a trance experience..."<sup>265</sup>

While the False Memory Syndrome Foundation looks to Kenneth V. Lanning, Special FBI Agent,<sup>266</sup> for support in propagating the false belief that recovered memories of child abuse and occult ritual abuse are false, many of Special Agent Lanning's comments go against Freyd and company's grain:

"We now have hundreds of victims alleging that thousands of offenders are abusing and even murdering tens of thousands of people as part of organized satanic cults..." Lanning admitted. But he added, "there is little or no corroborative evidence. The very reason many "experts" cite for believing these allegations (i.e., many victims, who never met each other, reporting the same events), is the primary reason I began to question at least some aspects of these allegations..."

One of the survivors of ritual abuse I interviewed, Darlene, explained the lack of evidence this way: "We ate it... Human beings taste like chicken, but it depends upon the age of the person and the part of the body you eat. Old people are gamier, of course. They always told me the name of the person I was made to eat. It was more traumatic that way. Even if the person was dead when I first saw them, they told me their name."

Lanning protests: " In response to accusations by a few that I am a 'satanist' who has infiltrated the FBI to facilitate a cover-up, how does anyone ( or should anyone have to) disprove such allegations? Although reluctant to dignify such absurd accusations with a reply, all I can say to those who have made such allegations is that they are wrong and to those who heard such allegations is to carefully consider the source..."

"... I am concerned about the credibility of the child sexual abuse issue and outraged that, in some cases, individuals are getting away with molesting children because we cannot prove they are satanic devil worshipers who engage in brainwashing, human sacrifice, and cannibalism as part of a large conspiracy..."

Control the memories of the victims. Keep the secrets buried beneath amnesia and screens and "scrambled" impressions. Control the law enforcement

---

<sup>265</sup> Judith Lew Herman, M.D., is Associate Clinical Professor of Psychiatry at Harvard Medical School and the author of *Trauma and Recovery* ( Basic Books, 1992). Mary R. Harvey, Ph.D., is Lecturer in Psychiatry at Harvard Medical School and the co-author (with Mary Koas, Ph.D.) of *The Rape Victims: Clinical and Community Interventions* (Sage 1991). Drs. Herman and Harvey are directors of the Victims of Violence Program at Cambridge Hospital, Cambridge, Massachusetts. Comments quoted were taken from the June 1993 issue of *American Psychologist*, *The False Memory Debate: Social Science or Social Backlash?*

<sup>266</sup> Lanning, Kenneth V., *Investigators Guide to Allegations of 'Ritual' Child Abuse*, Behavioral Science Unit, National Center for the Analysis of Violent Crime, Federal Bureau of Investigation, FBI Academy, Quantico, Virginia 22135, January, 1992.

investigators. Keep the healers misled in the dark and under attack by such as the False Memory Spindrome Foundation. Divide and conquer. The recipe for a conspiracy of global dimensions?

But Lanning did concede that "... Most of these victims are also probably not lying and have come to believe that which they are alleging actually happened..." That was the least one could say, and the PSE quickly showed that, over and over.

And Lanning was correct when he said "...Some of what the victims allege may be true and accurate, some may be misperceived or distorted, some may be screened or symbolic, and some may be 'contaminated' or false..." but what percentages of how many in which categories has yet to be determined. The "mental health" community is just beginning to confront the kinds of cases this book presented 17 years ago. Was the lag engineered, or did it just take that long for the "psycho-scientists" and "spy-chiatrists" to retire or die of old age, so that younger eyes could see the truth of their professional father's ugly creation.

What a legacy to leave? An army of MPD's created by psycho-scientists (the spy-chiatrists) left to their successors to deprogram. A lucrative self-serving Catch-22 of the national security "mental health system."

"...Any professional evaluating victims' allegations of 'ritual' abuse cannot ignore or routinely dismiss the lack of physical evidence (no bodies or physical evidence left by violent murders); the difficulty in successfully committing a large-scale conspiracy crime (the more people involved in any crime conspiracy, the harder it is to get away with it); and human nature (intragroup conflicts resulting in individual self-serving disclosures are likely to occur in any group involved in organized kidnapping, baby breeding, and human sacrifice)." Lanning said. " If and when members of a destructive cult commit murders, they are bound to make mistakes, leave evidence, and eventually make admission in order to brag about their crimes or to reduce their legal liability...."

But with a large, well-organized cryptocracy, which has mind control as its secret to keeping secrets, with law enforcement agencies such as the FBI being part of that cryptocracy, Lanning's argument barely holds water. What would Lanning say about Waco? What would he have to say about The Finders?

"...There are many children in the United States who, starting early in their lives, are severely psychologically, physically, and sexually traumatized by angry, sadistic parents or other adults. Such abuse, however, is not perpetrated only or primarily by satanists. The statistical odds are that such abusers are members of mainstream religions. If 99.9% of satanists and 0.1% of Christians abuse children as part of their spiritual belief system, that still means that the vast majority of children so abused were abused by Christians," Special Agent Lanning says.



"Until hard evidence is obtained and corroborated, the public should not be frightened into believing that babies are being bred and eaten, that 50,000 missing children are being murdered in human sacrifices, or that satanists are taking over America's day care centers or institution," Yet Special Agent Lanning says, "No one can prove with absolute certainty that such activity has NOT occurred. The burden of proof, however, as it would be in a criminal prosecution, is on those who claim that it has occurred. The explanation that the satanists are too organized and law enforcement is too incompetent only goes so far in explaining the lack of evidence..."

FMSF director Pam Freyd said, "We have been assured in several conversations that evidence of satanic activity of the sort that has become a popular myth in our country simply does not exist. It must be obvious to rational people that accusations based on memories that include satanic ritual are delusions of some sort. For those of us who are only accused of 'run-of-the-mill incest', this should turn out to be some help. If memories of satanic abuse can be induced in therapy, then so can 'memories' of incest or anything else."<sup>267</sup>

The Foundation circulated FBI Special Agent, Ken Lanning's apology entitled: *Investigator's Guide to Allegations of "Ritual" Child Abuse*. When you read it you discover it's no wonder the FBI can't find any abuse going on. They won't come to a crime scene when they're called, or they arrest the complainant.

Soon Lanning innocently admitted to a *Vanity Fair*<sup>268</sup> reporter, therapist Leslie Bennetts that he hadn't interviewed one single survivor anyway, keeping his search for evidence "in house" interviewing mostly law enforcement officers and a few therapists. (When the fact of this oversight was pointed out to him, Lanning quickly rushed out and interviewed "several dozen" victims. The results were apparently the same to Lanning – no evidence of any truth to their reports of ritual abuse.)

Other board members of the FMSF are useful for adding "spin" to the reports of "alien" abduction. Persinger has come up with a number of theories over the years which serve to explain away the "alien" phenomenon as a "natural" occurrence. One of his latest theories is that thousands of close encounters experiencers (abductees) were suffering from an exceedingly rare temporal lobe disorder which caused them to hallucinate the exact same things.

FMSF board member, Margaret Singer was very handy as an expert witness for a particular career Air Force attorney with cryptocracy connections.

The FBI is part of the cryptocracy and according to the victims, one of the major abusers. And since most of the arguments by disbelievers ultimately come down to the question of evidence, the FBI's Kenneth Lanning's litany of denial is

---

<sup>267</sup> Freyd, Pamela. "Dear Friends" letter, February 20, 1992.

<sup>268</sup> Bennetts, Leslie. "Nightmares On Main Street," *Vanity Fair*, June 1993, p. 42.

invoked: "I have consulted on hundreds and hundreds of these cases in the last 10 years..." and he has failed to turn up any physical evidence of the kinds of intergenerational cult activity alleged by the survivors.

Despite the fictional proofs offered on the Fox network's *X-Files* series, the same is true of the claims of alien abductions. The FBI has turned up nothing ... official.

Prominent on the FMSF advisory board is Dr. George Ganaway, a psychiatrist and director of the Ridgeview Center for Dissociative Disorders in Smyrna, Georgia. Writing and lecturing widely on "alternative hypotheses for ritual-abuse claims," he points out that the patient population of MPD's is a highly suggestible one and therefore susceptible to influence from outside sources like books, articles, sermons, and lectures, movies and television shows, as well as the personal testimony of other alleged cult survivors. But in fact it is no more highly suggestible than the population at large.

"It is difficult for even the most socially isolated individual to avoid exposure to stimulating material that has the potential for contaminating the memories of the individual's personal life story," Ganaway told the American Psychological Association's annual convention in 1991. He had a ready explanation for the occult abuse "epidemic" it was "source amnesia," he said, in which the person "doesn't remember they've read a particular book, seen a particular movie or TV show, or heard a particular story from another patient,<sup>269n</sup> but has nonetheless "absorbed" the material from some outside source rather than experienced it directly.

Dr. Ganaway warned that "hypnosis increases the subject's confidence in the veracity of both correct and *incorrect* recalled material." In her article in *Vanity Fair*, Leslie Bennett wrote, "This argument carried little weight with survivors who have not undergone hypnosis," pointing out that the majority of survivors have remembered most of their crucial scenes of trauma while they were driving a car or in nightmares or flashbacks -- not under hypnosis."

1994 was a landmark year for the FMSF. There was good news and bad news.

First the bad news: In August Kenneth Lanning retired from the FBI. The rumor was that considerable pressure had been brought by local law enforcers on the FBI to put someone more open to the Satanic ritual abuse issue in the office Lanning occupied.

The good news was Dr. Louis Jolyon "Jolly" West would address the conference about his CIA sponsored research on Dissociative Identity Disorder. West was among the group at the University of Oklahoma who were among the first to test LSD on involuntary human subjects. He became famous for killing an elephant

---

<sup>269</sup> Bennetts, Leslie, *op cit*.

with an overdose of LSD. When West was on the Advisory Board of the Cult Awareness Network he told a Satanic ritual abuse survivor that there was no such thing as Satanic abuse. Later, as Director of the Neurophysiatric Institute and chairman of the Department of Psychiatry at UCLA West became the "pet" of Governor Ronald Reagan by proposing a Center for the Study and Prevention of Violence which many believe was to be a cover for unbridled mind control experiments on human subjects. (When asked by reporters how subjects would be obtained who would submit themselves to West's brainwashing techniques, Ed Meese replied, "We'll kidnap them.")

West was a part of a network of doctors and scientists who gathered intelligence on hallucinogenic drugs for the MKULTRA program. He had proved himself to be a cryptocracy-safe shrink who had been called upon to examine Jack Ruby, Lee Harvey Oswald's assassin. It was on the basis of West's diagnosis that Ruby was compelled to be treated for mental disorders and, according to the Napa Sentinel "put on happy pills." The West examination had been ordered after Ruby began to say that he was part of a right-wing conspiracy to kill President Kennedy. West was also called upon to express his opinions in public on the mental state of "David Koresh" in Waco, and in secret to consult with Psywar experts who were trying out the latest psychological operations techniques during the long siege of the Branch Davidian compound.

After January 11, 1973, when Governor Reagan announced plans for the Violence Center, West wrote a letter to the then Director of Health from California, J.M. Stubblebine:

Dear Stub:

I am in possession of confidential information that the Army is prepared to turn over Nike missile bases to state and local agencies for non-military purposes. They may look with special favor on health-related applications.

Such a Nike missile base is located in the Santa Monica Mountains, within a half-hour's drive of the Neuropsychiatric Institute. It is accessible, but relatively remote. the site is securely fenced, and includes various buildings and improvements, making it suitable for prompt occupancy.

If this site were made available to the Neurophysiatric Institute as a research facility, perhaps initially as an adjunct to the new Center for the Prevention of Violence, we could put it to very good use. Comparative studies could be carried out there, in an isolated but convenient location, of experimental or model programs for the alteration of undesirable behavior.

Such programs might include control of drug or alcohol abuse, modification of chronic anti-social or impulsive aggressiveness, etc. The site could also accommodate conferences or retreats for instruction of selected groups of mental-health related professionals and of others (e.g., law enforcement personnel, parole officers, special educators) for whom both demonstration and participation would be effective modes of instruction.

My understanding is that a direct request by the Governor, or other appropriate officers of the State, to the Secretary of Defense (or, of course the President), could be most likely to produce prompt results.<sup>270</sup>

Some of the planned areas of study for the Center included:

- ◆ Studies of violent individuals.
- ◆ Experiments on prisoners from Vacaville and Atascadero, and hyperkinetic children.
- ◆ Experiments with violence-producing and violence inhibiting drugs.
- ◆ Hormonal aspects of passivity and aggressiveness in boys.
- ◆ Studies to discover and compare norms of violence among various ethnic groups.
- ◆ Studies of pre-delinquent children

The California State Legislature killed the center. Governor Reagan could not understand the Legislature's concern that the project smelled of Nazi psychoscience.

Add West's keynote speech at the December, 1994, FMSF Conference in Washington, D.C. to the history of its board members and the cryptocracy's prints become clear on the FMSF tool.

---

<sup>270</sup> Martin, Harry V., and Carl David, Fifth in a Series entitled *MIND CONTROL* in the *Napa Sentinel*, August 13, 1991. On line.

## **DANGEROUS FREE THINKING**

**I**n an undisclosed location, at a secret conference, an emergency panel of five psychiatrists and clinical psychologists met to discuss the alarming data they were gathering about mind control, satanic ritual abuse, and alien programming from patients diagnosed as suffering from Multiple Personality Disorder (MPD) also called Dissociative Identity Disorder (DID). Due to what is, by the standards of a conservative profession, the controversial content of this conference, and due to the fact that many of the doctors have already received the strongest criticism from their peers and threats on their lives, their identities must remain undisclosed -- you'll understand why as you read more.

Although delivered in a conversational tone without footnotes and scientific documentation, there is a lot of technical information in this round-table conference which should be of great use to therapists. For the lay reader a study of the works of Milton Erickson or at least NLP would be helpful in explaining what the doctors are talking about.

The term "bloodline" refers to the practice of satanic ritual abuse which carries on generation after generation under the belief that after several generations of "conditioning" a "genetic memory" or a "blood memory" carries on the information which has been programmed. This belief in "blood memory" can be found in a variety of secret societies and not just in satanic cults. A person who is of the "bloodline" is the offspring of parents who are in the cult, and often the great, great, great, great grandchildren of cult members. Some survivors have reported that the sophisticated form of programming described in this conversation goes back more than 100 years and has been co-opted by the intelligence agencies only within the past fifty-odd years.

Suffice it to know that the assembled doctors, men and women, are among the most qualified in their profession. They are recipients of the top honors, awards and degrees, members of all the most prestigious societies, editors of the most influential journals. Researchers who are aware of the literature may think they are able to identify some of the doctors by the content of their speeches, but it's

important that they just ignore any failing on my part as an editor, overlooking any speech patterns which may reveal their identities. For the sake of their safety, and at their request, I have done my best to re-write this transcript -- not for content, but for style -- so that these doctors can never be identified.

After some preliminary remarks the host of the conference, Dr. A, began:

Dr A: I have been looking forward to this exchange for quite some time and I hope we can cut right to the chase and talk specifically about ritual abuse and about mind-control programming and brainwashing -- how it's done, how to get on the inside of it.

Dr. B: Until only recently I didn't believe it. I wasn't willing to discuss it with colleagues such as you before, and I'm still not willing to speak about it publicly.

Dr. C: I have done that in small groups and in consultations, but recently I decided that it's time that somebody started doing something about it.

Dr. D: So we're going to talk about specifics today?

Dr. E: At the international congress I heard about these details for the first time. I thought, "how weird." "Interesting but weird."

Dr. B: I was there. I remember many people listened to an example given of somebody who thought it was so idiosyncratic and rare. Then a number of people came up to the doctor giving the example, saying, "You're treating one, too? You're in Seattle. Well, I'm in Texas!" Then another said "I'm in Arizona!" And another said, "I'm in Florida!" And another said, "I'm in Ohio!" and another was in California and so forth...

I didn't know what to think at that point. I didn't understand the mechanism or the meaning of dissociation to the state of mental illness -- all mental illness, and the state of mental health in the nation...

Dr. D: I found my first ritual-abuse patient in somebody I was already treating before we'd even gotten that deep into things. That case made me very curious about the use of mind-control techniques and hypnosis and other brainwashing techniques.

I started studying brainwashing and some of the literature in that area and became acquainted with, in fact, one of the people who'd written one of the better books in that area.

Dr. A: I did a survey of the ISSMP&D [International Society for the Study of Multiple Personality and Dissociation] folks. Picked out about a dozen-and-a-half therapists that I thought were seeing more of it than probably anyone else. I started surveying them.

The interview protocol that I used got the same reaction almost without exception: "You're asking questions I don't know the answers to... "You're asking more specific questions than I've ever asked my patients."

Many of those same therapists said, "Let me ask those questions and I'll get back to you with the answer." Many of them not only got back with answers, but said, "You've got to talk to this patient or these two patients."

Dr. D: I ended up making hundreds of dollars worth of phone calls interviewing therapists. I interviewed just about everybody I could find who would talk to me. I came out of it with a grasp of a variety of brainwashing methods being used all over the country.

Dr. C: I started to hear similarities too. Whereas I hadn't known, to begin with, how widespread things were, I got a feeling that there were a lot of people reporting similar things.

Dr. B: There must be a great deal of communication going on between the clients.

Dr. E: Now it's about time there's an equal amount of communication between the doctors on this taboo subject.

Dr. C: It's not a taboo, it's just the result of scientific skepticism...

Dr. E: Or fear...

Dr. A: Approximately four years ago I had some new material drop into my lap. My source was saying a lot of things that I knew were accurate about some of the brainwashing, but this was new material I had no idea about.

At this point I decided to check it out in three ritual-abuse patients I was seeing at the time. Two of the three had what they were describing, in careful inquiry without leading or contaminating.

Dr. C: I did a telephone-consult with a therapist that I'd been consulting for quite a number of months on an MPD case in another state, I told her to inquire about certain things, after talking with you.

I explained the idea in rough terms, but told her that I wasn't going to relay any specifics because I wanted to take all precautions to avoid any possibility of contamination.

She came back to me a couple of hours later and told me that she'd just finished a session with a patient who said, "I'm so excited that you know about his stuff -- this occult stuff. Now, if you know about this stuff, you know how the Cult Programmers get on the inside. Now our therapy is going to go so much faster."

Dr. D: Many of my patients have had a reaction of great anxiety and fear rather than being happy that our knowing about the programming is a wonderful thing.

Dr C: But the interesting thing was that she then asked, "What are these things?" And she listed a number of things the client had told her and they matched, word for word, the same things Dr. A had told me.

Dr. A: I've since repeated that in many parts of the country. I've consulted in twenty states and three foreign countries, giving therapists information. I always warn everyone to be very careful how you phrase it. You have to phrase it in ways so you don't contaminate the answers.

Dr. B: When you start to find the same information in different states and different countries, from Florida to California, you start to get an idea that there's something going on that is very large, very well coordinated, with a great deal of communication between people. What's happening appears to be very systematic, don't you think?

Dr. A: I have gone from being kind of neutral and not knowing what to think about it all to being someone who clearly believes ritual abuse is real...

Dr. E: A poll showed 80% of us do.

Dr. D: The people who say it isn't are naive like people who don't believe the Holocaust happened...

Dr. A: ...or -- they're dirty.

Dr. B: Do you mean they're part of a satanic cult?

Dr. C: We all know the cults love to recruit doctors and lawyers and policemen... or they're part of the government mind control organizations...



Dr. A: For a long time I would tell a select group of therapists that I knew and trusted, information and say, "Spread it out. Don't say where it came from. But here's some information. Share it with other therapists. If you find it's on target, I'd appreciate your feedback."

People were hungry for more information.

Dr. B: Myself, as well as a few others, were hedging out of concern...

Dr. A: ... and out of fear. Therapists began receiving death threats at about the same time we became aware of this mind control system. I finally decided to hell with them. If they're going to kill me, they're going to kill me. It's time to share information.

Dr. E: Wimps! Psychiatrists are generally a bunch of wimps. Worried about the APA, worried about losing their licenses, worried about lawsuits. They're under mind control themselves. Controlled by fear... they're easy to scare...

Dr. C: Especially with law enforcement looking the other way about ritual abuse...

Dr. A: Part of that happened because we proceeded so cautiously and slowly, checking things in many different locations and finding the same thing.

So let's see if we agree. Let's discuss the access routes to ritual-abuse programming. Let's see if we can come up with the essentials to get inside and start working at a new level.

Dr. B: What proportion of patients have this?

Dr. A: I would guess that maybe somewhere around at least fifty percent. Maybe as high as three-quarters, I would guess maybe two-thirds of your ritual-abuse patients may have this.

Dr. B: What do you think the distinguishing characteristics are?

Dr. A: If they were raised from birth in a mainstream cult or if they were a non-bloodline person, meaning neither parent was in the cult, but cult people had a lot of access to them in early childhood, they may also have it.

Dr. D: I have seen more than one ritual-abuse patient who clearly had all the kind of ritual things you hear about. They talked about all the typical things that you hear in this population, but had none of this programming with prolonged extensive reinforcement.

So I believe in one case I was personally treating that she was a kind of schismatic break-off that had kind of gone off and done their own thing and were no longer hooked into a mainstream group.

Dr. A: Here's where it appears to have come from. Before the end of World War II, Allen Dulles and people from our Intelligence Community were already in Switzerland making contact to get Nazi scientists out. As World War II ended, they not only got rocket scientists out, they also got out some Nazi doctors who had been doing mind-control research in concentration camps.

Dr. B: Wasn't this in violation of the Nuremberg Code and national laws?

Dr. A: Yes, but just the same, the group that was to become the CIA brought them to the United States. Among them was a young boy, a teenager, who had been raised in a Hassidic Jewish tradition with a background of Cabalistic mysticism. That appealed to people in the occult -- at least Aleister Crowley had introduced Cabalism into Satanic cults at the turn of the century.

This young Hassidim must have saved his skin by collaborating with the Nazi-satanists. He probably was their assistant in death-camp experiments. He might have been one of their most deeply programmed people, himself the best example of their work. They brought him with them.

He would become the one who developed the mind-control operations for Military Intelligence in the United States.

Like so many of the Nazi doctors, the boy changed his name, Americanized it. He obtained an M.D. degree, became a physician and continued the work that appears to be at the center of cult programming today.

His name is known to patients throughout the country.

Dr. D: What is it?

Dr. A: I'll get to that later.

Dr. D: Okay, so what's the formula. How does this programming work?

Dr. A: What they basically do is get a child about two-and-a-half -- after the child's already been made dissociative. The dissociation programming can start at birth...

Dr. D: I have a case that told me about being dunked into freezing cold, then scalding hot water alternately as probably a very young child...

Dr. A: One way or another they'll make the child dissociative. Not only through abuse, like sexual abuse, but also through things like putting a mousetrap on their fingers and teaching the parents, "Do not go in until the child stops crying. Only then do you go in and remove it."

The programming starts after the child already has Dissociative Identities. It generally starts at about two-and-half. It kicks into high gear, it would appear, at around six or six-and-a-half, and continues through adolescence with periodic reinforcements in adulthood.

In the programming we're tracking to this particular doctor, the child will typically be put on a gurney. They will have an IV in one hand or arm. They'll be strapped down, typically naked. There'll be wires attached to their head to monitor electroencephalograph patterns.

They will be shown a pulsing light, most often described as red, occasionally white or blue. They'll be given, most commonly I believe, Demerol. Sometimes it'll be other drugs as well, depending on the kind of programming.

Dr. D: That means they have this down to a science...

Dr. A: Yes. They've learned to give just so much Demerol every twenty-five minutes until the programming is done.

The patients describe experiencing a pain on one ear, their right ear generally, where it appears a needle has been placed. They hear weird, disorienting sounds in that ear while they're shown photic stimulation which drives the brain into a brainwave pattern with pulsing light at a certain frequency...

Dr. D: Sounds not unlike the goggles that are now available through mail order stores -- mindware, I think it's called.

Dr. A: Right. Then, after a suitable period when they're in a certain brainwave state, they will begin programming, making suggestions oriented to self-destruction and the debasement of their person.

Dr. B: I had a patient who experienced this at about eight years of age. He had gone through a great deal of early programming which took place on a military installation.

Dr. D: That's not uncommon. I've treated or been involved with cases who are part of this original mind-control project as well. They also had their programming on military reservations.

Dr. A: We find a lot of connections with the CIA as well. I have this patient now who was in a private cult school where several of these sessions occurred every week.

She would go into a room, get all hooked up. They would place electrodes on her. One in the vagina, for example, four on her head. Sometimes they'd be on other parts of the body.

They would then begin by saying to her, "You are angry with someone in the group."

She'd say, "No, I'm not" and they'd violently shock her.

They would say the same thing until she complied and didn't make any negative response. Then they would continue: "And because you are angry with someone in the group," or "When you are angry with someone in the group, you will hurt yourself. Do you understand?" She'd say, "No" and they'd shock her.

Then they'd repeat it again, "Do you understand?" "Well, yes, but I don't want to." They'd shock her again until they got her compliance. Then they kept adding to it: "And you will hurt yourself by cutting yourself. Do you understand?" Maybe she'd say yes, but they might say, "We don't believe you" and shock her anyway. "Go back and go over it again." And they would continue in this sort of fashion.

She said typically it seemed as though they'd go about thirty minutes, take a break, then come back. They may review what they'd done and stop or they might review what they'd done and go on to new material.

She said the sessions might go half an hour, or they might go three hours. She estimated that this programming took place on an average of three times a week.

Dr. D: But about this programming with sound. Now how did that happen?

Dr. A: It was programming under the influence of drugs which would maintain a certain brainwave state. Confusing noises were played in one ear and they would be speaking in the other ear, usually the left ear. This is associated with right hemisphere non-dominant brain functioning. It would require intense concentration of the victim. They

were made to memorize things upon which they would be tested and shocked if they missed a question...

Dr. D: That's basically how a lot of programming goes.

Dr. A: Some of it'll also use other typical brainwashing kinds of techniques -- isolation, deprivation of food, sleep, and water. There will be very standardized types of hypnotic things done at times.

Dr. D: We know stress and sensory deprivation and starvation increases suggestibility in anyone.

Dr. A: From the research it appears that total sensory deprivation -- isolation tank type deprivation -- the low budget operations and the cult operations lock the victim in a coffin.

Dr. D: I have a patient from an old German family who reports that these techniques go back in her family more than one hundred years.

Dr. A: Well, I know all of us here are trained in Ericksonian methods. And the understanding of that procedure seems to be the key to unlocking this programming.

Dr. E: Probably one of the differences is the anchoring. A lot of therapists don't know the value of kinesthetic anchoring.

Dr. A: That's probably true. But to find out if a client has been programmed this way, I would suggest you inquire asking for ideomotor finger-signals.

After you've set them up say, "I want the central inner core of you to take control of the finger-signals."

Dr. B: Don't ask the unconscious mind.

Dr. A: When you're inquiring about ritual abuse, you're communicating with the central inner core. The core is a cult-created part.

So you might want to say: "And I want that central inner core of you to take control of this hand of these finger-signals. To say yes, let the yes-finger float up.

Then you say, "I want to ask the inner core of you is there any part of you, any part of Mary, if that's the host's name, who knows anything about Alpha, Beta, Delta, or Theta.

Dr. C: If you get a Yes, you might have someone with formal intensive brainwashing and programming in place?

Dr. A: I would then say, "I want a part inside who knows something about Alpha, Beta, Delta, and Theta to come up to a level where you can speak to me and when you're here say, 'I'm here.'"

I would not ask if a part was willing to. Without leading them, ask them what these things are.

Dr. D: Sometimes I've gotten a "Yes" to that. Then as I've done further exploration it appeared to be some kind of compliance response or somebody wanting to appear that they were ritually abused. With careful inquiry, it became obvious that they did not have what we were looking for.

Dr. A: Tell us what these are.

Dr. D: Let's suppose you have a client who has an alter named Helen and one named Mary, and one named Gertrude, and one named Elizabeth, and one named Monica. Every one of those alters may have a program put on it, perhaps designated alpha-zero-zero-nine.

You could say, "Alpha-zero-zero-nine" make some kind of hand gesture to indicate this. By this means you could get the same part out in any one of them even though they have different names by which they may be known.

Alphas appear to represent general programming, the first things put in.

Betas appear to be sexual programs. For example, how to perform oral sex in a certain way, how to perform sex in rituals, having to do with producing child pornography, directing child pornography, prostitution.

Deltas are killers trained in how to kill in ceremonies. There'll also be some self-harm stuff mixed in with that, assassination and killing.

Thetas are called psychic killers...

Dr. B: You know, I had never in my life heard those two words paired together.

Dr. A: I'd never heard the words "psychic killers" put together either, but when you have people in different states, including therapists inquiring and asking, "What is Theta," and clients are saying to them

"psychic killers," it tends to make one a believer that this programming is very systematic and very widespread.

This comes from their belief in psychic abilities and powers, including their ability to psychically communicate with "mother" or their ability to psychically cause somebody to develop a brain aneurysm and die. It also is a future-oriented kind of programming.

Then there's Omega. I usually don't include that word when I ask my first question about this or any part inside that knows about Alpha, Beta, Delta, Theta because Omega will shake them even more. Omega has to do with self-destruct programming. Alpha and Omega, the beginning and the end. This can include self-mutilation as well as suicide programming.

Gamma appears to be system-protection and deception programming which will provide misinformation to you, try to misdirect you, tell you half-truths, protect different things inside. There can also be other Greek letters.

I'd recommend that you get the entire Greek alphabet if you have verified that some of this stuff is present and they have given you some of the right answers about what some of this material is. I can't underline enough: DO NOT LEAD THEM. Let them answer on their own, please.

I would take your entire Greek alphabet and, with ideomotor signals, go through the alphabet and say, "Is there any programming inside associated with epsilon, omicron," and go on through. There may be some systematic procedure with some of the other letters.

I've found, for example, in one case that Zeta had to do with the production of snuff films that one person was involved with. With another person, Omicron had to do with their linkage and associations with drug smuggling and with the Mafia and with big business and government leaders.

So there's going to be some individualism, I think.

Some of those are come-home programs, "come back to the cult", "return to the cult" program. Here's the flaw in the system. They have built-in shut-down and erasure codes so if they got into trouble they could shut something down and they could also erase something.

These codes will sometimes be idiosyncratic phrases, or ditties. Sometimes there will be numbers followed by a word.

Dr. D: If we all can get some of these maybe they'll work with different people.

Dr. A: No such luck. It's very unlikely unless they were programmed at about the same point in time as part of the same little group, by the same programmers.

Dr. B: What I've seen suggests that the programmers carry laptop computers which keep track of everything that they did twenty, thirty years ago in terms of the names of alters, the programs, the codes, and so on.

Dr. C: What do you do to get erasure codes?

Dr. A: I always ask, "If I say this code, what will happen?" Double check. "Is there any part inside who has different information?" Watch your ideomotor signals. What I've found is you can erase programs by giving the appropriate codes, but then you must abreact the feelings.

Start by erasing Omega, which is often where I've started because it's the most high risk. Afterwards I will get all the Omega -- what were formerly Omega -- alters together so that we will abreact and give back to the host the memories associated with all the programming that was done with Omega and anything any Omega part ever had to do in a fractionated abreaction. They use the metaphor -- and it is their metaphor -- of robots. And it is like a robot shell comes down over the child alter to make them act in a robotic fashion.

Once in a while internally you'll confront robots. That's what I found from earlier work. So now I speed the process up because I confirmed it enough times. Now I say to the core, "Core, I want you to look -- there's this robot blocking the way in some way, blocking the progress. Go around and look at the back of the head and tell me what you notice on the back of the head or the neck." I just ask it very non-leading like that and what's commonly said to me is that there were wires or a switch. So I'll tell them, "Hold the wires or flip the switch and it will immobilize the robot and give me a yes-signal when you've done it." Pretty soon you get a yes-signal.

"Great. Now that the robot is immobilized, I want you to look inside the robot and tell me what you see." It's generally one or several children. I have them remove the children. I do a little hypnotic magic and ask the core to use a laser and vaporize the robot so nothing is left. They're usually quite amazed that this works, as have been a number of therapists.



Dr. C: Now there are many different layers . This is a problem... What we have up here are innumerable alters.

Dr. A: I'll tell you one of the fascinating things I've seen. I remember a little over a year ago coming in to see some cases -- some of the tough cases at a dissociative-disorder unit. I was accompanied by a couple of the finest of the MPD therapists in this country, who are always part of all the international meetings, have lectured internationally... We worked together and I looked at some of their patients. They were amazed at certain things I did because they had not been aware of this before.

We worked with some of the patients and confirmed some of the things we're talking about today. I remember one woman who'd been inpatient for three years, still was inpatient. Another who had one intensive year of inpatient work with all the finest MPD therapy you can imagine -- abreactions, integrations, facilitating cooperation, art therapy, on and on, journaling intensively for one inpatient year followed by an intensive year of outpatient therapy two or three hours a week..

In both patients we found out that all of this great work had done nothing but deal with the alters on top and had not touched the mind-control programming. In fact it was not only intact, but we found that the one who was outpatient was having her therapy monitored every session by her mother, out-of-state, over the telephone, and that she still had intact suggestions that had been given to her at a certain future time to kill her therapist.

Dr. D: I get the very uncomfortable feeling from my past experience that when we look at this we will find the large proportion of ritual-abuse victims in this country are having their ongoing therapy monitored.

Dr. C: I remember a woman who came in about twenty-four years old, claimed her father was a satanist. Her parents divorced when she was six. After that her abuse would occur only when her father had visitations and he would take her to rituals sometimes up until age fifteen. She said, "I haven't gone to anything since I was fifteen."

Her previous therapist took this at face value.

We sat in my office. We did a two-hour inquiry using hypnosis. We found the programming present. In addition to that we found that every therapy session was debriefed and in fact they had told her to get sick and not come to the appointment with me.

Dr. B: I had a client who was told that I was a member of the cult and that if she came I would know that she'd been told not to come and I would punish her.

Dr. A: If anything meaningful comes out in a patient who's being monitored like that -- from what I've learned thus far, they're tortured with electric shocks -- my belief is, if they're in that situation you can't do meaningful therapy other than being supportive and caring and letting them know you care a lot and you'll be there to support them.

I wouldn't try to work with any kind of deep material or deprogramming with them because I think it can do nothing but get them tortured and hurt unless they can get into a safe, secure inpatient unit for an extended period of time to do some of the work required.

Dr. C: I suspect that when we make inquiries we're going to find that probably greater than fifty percent of these patients, if they're bloodline, meaning mother or dad or both are involved, they will be monitored on some ongoing basis.

Dr. A: So, when you go below the alters, you then have Alpha, Beta, Delta, Theta, so on and so forth -- the Greek-letter programming -- and they will then have backup programs. There will typically be an erasure code for the backups. There may be one code that combines all the backups into one and then an erasure code for them, simply one code that erases all the backups.

So I will get the code for, let's say, Omega and for all the Omega backups at the same time. After I've asked "What will happen if I give this," I will give the code and then I will say, "What are you experiencing?"

They often describe computer whirring, things erasing, explosions inside, all sorts of interesting things. I've had some therapists come back and say, "My Lord, I never said anything about robots. She said something about robots vaporizing."

I remember one therapist who'd been with me in several hypnosis workshops and consulted with me about a crisis MPD situation. I told her to inquire about Alpha, Beta, Delta, Theta. She did.

She got back to me saying, "Yeah, I got an indication it's there. What is it?" I said, "I'm not going to tell you. Go back and inquire about some of this." We set an appointment for a week or so hence.

She got back with me and said, 'I asked what Theta was and she said, 'psychic killers.' I asked her what Delta was and she said 'killers.'"

I told her what I've just told you, and she called back later and said, "This seemed too fantastic. I heard this and I thought, 'Has Dr. A been working too hard?'"

She said, "I'm embarrassed to admit it, but this sounded so off in the twilight zone that I really thought you were having a nervous breakdown or something." She said, "But I respected you enough to ask about this." She said, "I asked another MPD patient and she didn't have any of this."

This patient started describing things. She described how she worked, for example, with an erasure. She described robots vaporizing and that kind of thing. The therapist said, "I hadn't told her about any of these things."

There are different layers and I think some of them are designed to keep us going in circles forever. They figured we probably, in most cases, wouldn't get below the alters which they purposefully created.

The way you create a Manchurian Candidate is you divide the mind. It's part of what the intelligence community wanted to look at.

If you want to get an assassin to do something, you divide the mind.

Dr. D: I'm fascinated about cases like the assassination of Robert Kennedy. Bernard Diamond, on examining Sirhan Sirhan found that he had total amnesia of the killing of Robert Kennedy, but under hypnosis could remember it. But despite suggestions he would be able to consciously remember, Sirhan could not remember a thing after he was out of hypnosis.

Dr. C: I'd love to examine Sirhan Sirhan

Dr. D: It appears that below this we've got some other layers. One is called "Green Programming" it appears.

Dr. B: Isn't it interesting that the doctor's name is Dr. Green?

Dr A: One of the questions in a way that does not contaminate is -- after I've identified some of this stuff is there and they've given me a few right answers about what some of it is, I ask -- "If there were a doctor associated with this programming and his name were a color, you know, like Dr. Chartreuse or something, if his name were a color, what color would the color be?"

Once in a while I've had some other colors mentioned in about three or four patients that I felt were trying to dissimulate in some way. In one case I got another color and I found out later it was a doctor whose name was a color who was being trained by Dr. Green almost thirty years ago and he supervised part of the programming of this woman under this doctor.

I remember one woman couldn't come up with anything. No alter would speak up with anything. I said, "Okay," and we went on to some other material. About two minutes later she said, "Green. Do you mean Dr. Green?" We found this all over. There appears to be some Green Programming below that and I suspect that you get down to fewer and more central programs the deeper you go. Well, all Green Programming is Ultra-Green and the Green Tree.

Cabalistic mysticism is mixed in this. If you're going to work with this you need to pick up a couple of books on the Cabala. One is by a man named Dion Fortune who called it "Qabala" with a "q." Another is by Ann Williams-Heller and it's called "The Kabbalah."

I knew nothing about the Cabala. It was interesting. A patient had sat in my waiting area, got there considerably early and drew a detailed multicolored Cabalistic Tree over two years ago. It took me two months to figure out what it was. Finally, showing it to somebody else who said, "You know? That looks an awful lot like the Cabala Tree" and that rang a bell with some esoteric symbols I'd seen in an old book and I dug it out.

Now the interesting thing about the Green Tree is his original name was Greenbaum. What does "greenbaum" mean in German? It means Green Tree, and Ultra-Tree. I've also had patients who didn't appear to know that his original name was Greenbaum, volunteer that there were parts inside named Mr. Greenbaum.

Let me give you some information about parts inside that may be helpful to you if you're going to inquire about these things, because my experience is one part will give you some information and either run dry or get defensive or scared and stop. There are several other parts to ask for. When screening patients throw in a bunch of spurious ones and ask, "Is there a part inside by this name and by that name" as a check on whether or not it appears genuine.

For example. "In addition to the core," I ask, "is there a part inside named Wisdom?" Wisdom is a part of the Cabalistic Tree. Wisdom, I've often found, will be helpful and give you a lot of information. "Is there a part inside named Diana?" I mean I may throw in all sorts of things. "Is there a part inside named Zelda?" I've never encountered

one yet! Just to see what kind of answers we get. I try to do this carefully. Diana is a part that, in the Cabalistic system, is associated with a part called the Foundation. You might be fascinated to know that.

Remember the Process Church? Roman Polanski's wife, Sharon Tate, was killed by the Manson Family who were associated with the Process Church? A lot of prominent people in Hollywood were associated with it and then it went underground, the books say, in about seventy-eight and vanished? Well, they're alive and well in southern Utah. There's a thick file in the Utah Department of Public Safety documenting that they moved to southern Utah, north of Monument Valley. They bought a movie ranch in the desert, renovated it, and built additional buildings. The place is carefully monitored so that it's restricted to very few people. It has a different name, of course.

A key word in their name is "Foundation." The Foundation. There are some other words. The Foundation is part of the Tree. So you can ask, "Is there something inside known as The Foundation?" You might ask other things to throw people off. "Is there something known as the Sub-Basement?" Well, maybe they'll conceive of something. Or "Is there something known as the Walls?"

There are a variety of questions you can come up with, to screen things. I've also found that there will often be a part called "Black Master," a part called "Master Programmer," and that there will be computer operators inside.

Dr. C: I've come into a number of clients with computer operators. How many of you have?

(All raise their hands.)

Dr. A: There will typically be computer operators: Computer Operator Black, Computer Operator Green, Computer Operator Purple. Sometimes they'll have numbers instead, sometimes they'll be called Systems Information Directors.

I will ask inside, "Is there a part inside named Dr. Green?" You'll find that there are, if they have this kind of programming, in my experience. Usually with a little work and reframing, you can turn them and help them to realize that they were really a child-part who's playing a role and they had no choice then, but they do now.

You know, they played their role very, very well, but they don't have to continue to play it with you because they're safe here and in fact,

"If the cult simply found out that you talked to me, that you had shared information with me, what would they do to you?"

Emphasize that the only way out is through me and that they need to cooperate and share information and help me and that I'll help them. So all these parts can give you various information.

We were going along and a patient was close to getting well, approaching final integration in a non-bloodline and she suddenly started hallucinating and her fingers were becoming hammers and other things like that. So I used an affect-bridge and we went back and we found that what happened was that they gave suggestions, that if she ever got well to a certain point she would go crazy.

The way they did this was they strapped her down and they gave her LSD when she was eight-years-old. When she began hallucinating they inquired about the nature of the hallucinations so they could utilize them in good Ericsonian fashion and build on them and then combine the drug-effect with powerful suggestions: "If you ever get to this point you will go crazy. If you ever get fully integrated and get well you will go crazy like this and will be locked up in an institution for the rest of your life."

They gave those suggestions vigorously and repetitively. Finally they introduced other suggestions that, "Rather than have this happen, it would be easier to just kill yourself." In a bloodline patient then, as I began inquiring about deep material, the patient started to experience similar symptoms. We went back and we found the identical things were done to her.

This was called the "Green Bomb." B-O-M-B. Lots of interesting internal consistencies like that play on words with Dr. Greenbaum, his original name.

Now in this case it was done to her at age nine for the first time. Hers was a suggestion for amnesia. "If you ever remember anything about Ultra-Green and the Green Tree you will go crazy. You will become a vegetable and be locked up forever." Then finally the suggestions added, "And it'll be easier to just kill yourself than have that happen to you, if you ever remember it."

At age twelve then, three years later, they used what sounds like an Amytol interview to try to breach the amnesia. They couldn't. So then they strapped her down again, and gave her something to paralyze her body. Then they gave her an even bigger dose of LSD and reinforced all the suggestions. They did a similar thing at the age of sixteen.

So these are some of the kinds of booby traps you run into. There are a number of cases where they combined powerful drug effects like this with suggestions to keep us from discovering some of this deeper level stuff.

I think that we can move down to deeper levels and if we deal with some of the deeper level stuff it may destroy all the stuff above it. But we don't even know that yet. In some of the patients I'm working with we have pretty much dealt with a lot of the top-level stuff.

We'll erase one system like Omega. Then we will have a huge abreaction of all the memories and feelings in a fractionated abreaction associated with those parts.

I typically find I'll say to them, "Now that we've done this, are there any other memories and feelings that any parts that were Omega still have?"

The answer is usually "No." At that point I will say, "I usually find at this point in time the majority, if not all, of those parts that used to be Omega no longer feel a desire or need to be different, realizing that you split off originally by them and want to go home to Mary (or whoever the executive alter is) and become one with her again."

I use the concept often now -- which came from a patient -- of going home and becoming one with her. "Going back from whence you came" is another phrase I'll use with them. "Are there any Omega parts inside who do not feel comfortable with that or have reservations or concerns about that?"

If there are, we talk to them. We deal with them. A few may not integrate.

My experience is most of the time they'll integrate and we may integrate twenty-five parts at once in a polyfragmented complex MPD.

I think it is vitally important to abreact the feelings before you go on. Also for many patients it hasn't seemed to matter which order we go in, but I've found a couple where it has. If it doesn't seem to matter I'll typically go Omega, then Delta because they have more violence potential, then Gamma to get rid of the self-deception stuff.

What I will do before I just assume anything and do that, is once we've done Omega and showed them that success can occur and something can happen and they feel relief after, I will say to them, "I

want to ask the core -- through the fingers -- is there a specific order in which programs must be erased?"

You know, maybe it doesn't matter but most of the time I found "No." There are cases where we found "Yes."

I recommend doing one or two or three of those because they'll produce relief and a sense of optimism in the patient. But then I would recommend starting to probe for the deeper level things and getting their input and recommendations about the order in which we go.

Dr. D: What has been the typical age and typical gender of this type of person?

Dr. A: Most of the patients I know with MPD ritual abuse that are being treated are women, however. I know of some men being treated where we've found this.

A while back I was talking to a small group of therapists somewhere. I told them about some of this. In the middle of talking about some of this all the color drained out of one social worker's face and she obviously had a reaction and I asked her about it and she said, "I'm working with a five-year-old boy who, just in the last few weeks, said something about a Dr. Green." I went on a little further and I mentioned some of these things and she shook her head again.

I asked, "What's going on?" And she said, "He's been spontaneously telling me about robots and about Omega."

I think you will find variations of this and that they've changed it, probably every few years and maybe somewhat regionally to throw us off in various ways but that certain basics and fundamentals will probably be there. I have seen this in people up into their late forties including people whose parents were very, very high in the CIA. I've had some that were originally part of the Monarch Project which is the name of the government Intelligence project.

Dr. B: I'm still not grasping how one starts, how you find out how to erase. How do you get that information?

Dr. A: Because they believe in that kind of thing, I'll use it. Whatever it is. I might say: "I want the core -- if necessary, using the telepathic communication ability you have to read minds -- to obtain for me the erasure code of all Omega programs. When you've done so, I want the yes-finger to float up."



Then I ask them to tell it to me. "Are there backups for Omega programs?"

If they say, "Yes," I ask them, "How many backups are there?"

Let's say it's made up of different numbers. I ask them: "Is there an erasure code for all the backup programs?"

If they say, "No," I'll ask, "Is there an erasure code that combines all the backups into one?"

If they say "Yes," I suggest that they obtain that code for me and when they've got it, give me the yes-signal again.

It can move almost that fast in some cases where there's not massive resistance.

Dr. E: Tell us what you know about the risks to the therapist?

[Laughter]

Dr. A: You would have to ask.

Dr. E: I'd like to know that. What kind of data do you have -- given that you've had contact with large numbers of people. Not just threats but also any injury, any family problems that have arisen. A second question is, are you aware of anybody that you've treated -- or others -- with this level of dissociation and trauma that have recovered? Integrated? Are now whole and happy?

Dr. A: I have one non-bloodline complex multiple who had this kind of programming. The programmers had a lot of access to the patient as neighbors. And, by the way, you'll find physicians heavily involved with cults doing ritual abuse and mind control. The cults recruit their own doctors as part of their protection. Some of the doctors are themselves programmed. It's quite common to suspect that the majority of the programmers are programmed.

They encourage their own to go to medical school, to prescribe drugs to take care of their own, to get access to medical technology and be above suspicion. There have been a couple, in fact, who've been nailed now. At least one state I know of has two full time ritual-abuse investigators with statewide jurisdiction under the Attorney General's Office who do nothing but investigate ritual abuse.

So, the FBI or the False Memory Syndrome Foundation says "There's no evidence. They've never found a body," that's baloney. They found a body in Idaho of a child. They've had a case that was convicted on

first-degree murder charges, two people before that were arrested where the teenaged girl's finger and head were in the refrigerator and they were convicted of first-degree murder in Detroit.

There have been cases and bodies.

Dr. D: Back to risk.

Dr. A: I know of no therapist who's been harmed. But patients inform us that there will come a future time where we could all be at risk of being assassinated by patients who've been programmed to kill at a certain time anyone that they've told and any member of their own family who's not active. Whether that would come about is speculative. Who knows for sure? I don't think it's entirely without risk.

We've heard the patients say, many, many of them say that the year 1999 is the year the alters programmed to kill will kill their therapists and anyone who knows about them. Some have reported to be programmed to kill people in public places. That, apparently is the year when the satanic New World Order is going to take over in the wake of the chaos created by these, alleged, hundreds of thousands of hypnoprogrammed killers being turned loose on North America...

Dr. C: It seems to me that there's some similarity between this kind of programming and those people who claim that they've been abducted by spaceships and have been physically probed and reprogrammed and that sort of thing. I'm wondering, is there any sort of relationship between this and that?

Dr. E: I've found the alien abduction scenario in a lot of patients. And I'm firmly of the belief that those people are in fact ritual-abuse victims who have been programmed with that sort of thing to destroy all their credibility.

If somebody's coming in and reporting they've been abducted by a flying saucer, who's going to believe them on anything else in the future?

I recently had a telephone consult with Dr. A, who told me, if it were him being with this guy that I'd been seeing for a couple of months, he'd ask for the core to take control of finger-signals and inquire about Alpha, Beta, Delta, Theta. I proceeded to do all that and found it was just like Dr. A said it might be, there was a part inside named Dr. Green. There was this kind of programming.

Dr. C: What's the difference between this kind of program and cult-type abuse and satanic abuse in the kind of cults with the candles?

Dr. A: This type of programming will be done in the cults with the candles and all the rest. My impression is that this is simply done in people who they have great access to, or to bloodline people, people whose parents are involved so that they can be raised in it from an early age. If they are not bloodline they are the "chosen generation." They're expendable and they are expected to die and not get well.

There will be booby traps in your way if they aren't bloodline people that when they get well they will kill themselves. I'll tell you just a little about that.

My belief is that some people that have ritual abuse and don't have this have been ritually abused but they may be part of a non-mainstream group. The satanism comes in the philosophy overriding all of this.

Dr. C: What's the purpose of it?

Dr. A: My best guess is that the purpose of it is that they want an army of Manchurian Candidates, hundreds of thousands of mental robots who will do prostitution, child pornography, smuggle drugs, engage in international arms smuggling, snuff films, all sorts of very lucrative things and do their bidding and eventually the megalomaniacs at the top believe they'll create a Satanic Order that will rule the world.

Dr. C: You have suggested and implied that at some point at a high level of the U.S. Government there was support for this kind of thing. What documentation is there?

Dr. A: There is some documentation. One of our leading colleagues is writing a book about our peers of the older generation who were involved in it. We have CIA documents declassified which help us figure out who did what. There are "good guys" within the intelligence community who have provided us with leads. We have the identity of some of the key figures. Many are dead, but a few are still alive and very active. But most of the information I've given you today comes from victims who are imperiled witnesses.

The interesting thing is how many people have described the same scenario and how many people that we have worked with who have had relatives in NASA, in the CIA and in the Military, including very high-ups in the Military.

Now let me just mention something about what you may run into later in the process. I know I'm throwing a lot at you in a hurry.

Just ask your patients and you may be lucky to find that there isn't any of this. Then, somewhere at a deep level you may run into some things like this.

Let me describe to you the system in one patient. One patient I had treated for quite a while. It was a non-bloodline person who had done what appeared to be successful work and had reached final integration. She came back to me early last year and said she was symptomatic with some things. I started inquiring. I found a part there we'd integrated.

The part basically said, "There was other stuff that I couldn't tell you about, and you integrated me and so I had to split off." I had done some inquiring about things like Alpha, Beta as a routine part of it and found they were there and I said to this part, "Why didn't you tell me about this stuff?" This part said, "Well, we gave you some hints but they went right over your head." The part then said, "I'm sorry, but we know that you didn't know enough to help us but now we know you can."

So the stuff started coming out. It was interesting. She described the overall system ... a system of alters whose primary purpose was to hurt her including symptoms like Munchhausen's, self-mutilation, other kinds of things.

The part said, "With the exception of me, this one part, you dealt with the whole circle with the work that we did before but you didn't touch the rest of the stuff."

In the middle of all this was still another system consisting of the Cabalistic Tree -- which some of you are aware -- that represented another system. Then once we got past that she implied that this entire thing was somehow encompassed by an hourglass.

I kept thinking we were at final integration then I'd find some other parts.

We started talking and then the part basically said, "It's been programmed so that if you succeed and think you've succeeded, you will fail. They build it in as a way to laugh at you, that if you ever get us integrated, we will die."

This part said, "I'm one of twelve disciples," and I've seen this in others, twelve disciples within this hourglass each of whom had to

memorize a disciple-lesson which were basic satanic kind of premises, philosophies of life like "be good to those who hurt you, hate those who are nice to you," and so forth. There may be two or three sentences like that associated with each that they had to memorize.

They said, "We are like grains of sand falling and when the last grain of sand falls, there's Death."

I asked: "Is Death a part?"

"Yes," the part said. "When the last grain of sand falls the Sleeping Giant awakens." The Sleeping Giant was Death, who was then to kill them on the first day or the sixth day after awakening unless certain things were followed. We did those things of course.

We also found Death had a sister as a backup. Mirrors had been used to create the sister part. We had to get past and deal with that too. Death had certain things she said had to be done to integrate.

I started to say, "Oh, come on, they lied to you before."

And she said, "Wait a minute. This is what they said you'd say. They said that no doctor would ever believe that they had to go to these extremes to get us well and that's part of the reason they'd fail."

I said, "Well, tell me, tell me again."

She said, "I have to be dressed all in red. I have to have taken Demerol. A code has to be given and it has to be in a room that's totally dark. It has to happen on Day-One or Day-Six after this part's been awakened."

I said what do we have to lose?

We gave her a little Demerol. We used the code. My office didn't have any windows anyway. It was pretty easy. Oh, and there had to be four, I think, candles lit. Well, fine. So we did it and everything went well.

Then we found another part. There's Death And Destruction, another backup also with a sister that we had to get through. In fact, I think there were two backups there. Interestingly, the very last part was an extremely nice part, made especially that way so that they wouldn't want to lose them because they would be so adorable and so loving and so sweet that no one would want to get rid of them. Then we found that she continued to have these feelings with this last part left now of darkness and blackness inside.

Dr. C: What did we find?

Dr. A: A curtain.

The message was: "There is a curtain behind which are the remaining feelings and memories, but it can't be opened from the middle. It's like a stage curtain. It has to be raised. They assumed that you would try to deal with all the feelings. But what's behind the curtain can't be opened until you've dealt with the last of the parts and they've integrated.

So I found Death and Destruction and the Hourglass in non-bloodline patients. "The Tree and the Hourglass," this patient informed me, "were made of sand because we were meant to die. We're expendable. We're the chosen generation."

I've heard variously that it's crystals or blood that fills the Hourglass in non-bloodline people. By the way, you can do real simple things like turn the Hourglass on its side so nothing can fall out, so time stands still to be able to do certain kinds of work. Spread the grains of sand on the seashore so that they can't be numbered and the time will not be counted. I got that idea from a ritual-abuse victim who had seen some of this kind of programming done that another therapist was seeing.

So those would be just a few other hints about things that may be helpful or meaningful. We're talking about very intensive things and at deep levels. This gives us two things. One thing it gives to me is hope because it gets to material and it makes progress like nothing else we've ever seen with these people who have it. The second thing it does for me is it demoralizes me because, although five years ago I had a pretty good idea about the extent and breadth of what they'd done to these victims, I had no real appreciation for the depth and breadth and intensity of what they'd done.

Dr. C: How many of them can get well?

Dr. A: We don't know. Of course the more we learn about this, the better are the chances for recovery.

As with most things in the mental health profession we accept the statistics that two-thirds of the patients are going to improve, maybe seventy percent.

I think one of the sad things we have to face is that many of these patients will probably never be well. My personal belief is that if they

are being messed with, their only hope of getting well is if they can somehow get out of contact.

Now I know patients who've gone to other states and simply had deep-level alters pick up the phone and call and say, "This is our new address and phone number" so that they could be picked up locally. I mean in an inpatient unit for an extended period of time.

If they are in a cult they are still being monitored and messed with, my own personal opinion is we can't get them well and can't offer more than humanitarian caring and supportiveness.

My own personal belief is few if any with this kind of programming are well in this country yet.

Dr. B: Could you speculate on the relationship between this stuff and the fantasy games that have been proliferating, Dungeons and Dragons and that sort of thing?

Dr. A: Well, there are a lot of things out there to cue people. You want to see a great movie, interesting movie, to cue people? Go see "Trancers II." You can rent it in your video shop. ... One night in sheer desperation for something at the video store, you know? Nine o'clock on Friday night. Everything's gone. I rented a couple of movies and one of them is that. Fascinating. They're talking about Green World Order. Yes, "Trancers II." And who is the production company? Full Moon Productions. I couldn't see much cueing in "Trancers I," but who's the production company in "Trancers I"? Alter Productions.

Some patients have told us that all this spook stuff, horror stuff, possession and everything else that's been popularized in the last twenty years in Hollywood is in order to soften up the public so that when a satanic world order takes over, everyone will have been desensitized to so many of these things. It's also being used to continually cue lots of people out there.

Dr. B: Is that true?

Dr. A: I can't definitely tell you. What I can say is I now believe that ritual-abuse programming is widespread, is systematic, is a very well organized form of highly esoteric information. It has not been published anywhere. The system is not described in any book nor has it been discussed on any talk show. We have collected it from the victims of mind control from all around this country and several foreign countries.

Dr. B: Do you have any techniques for decreasing your level of uncertainty that a patient is or is not being still tampered with?

Dr. A: Ask several of the parts I've inquired about, Core, Diana, Wisdom, Master Programmer, several parts inside. Ask about these sorts of things and keep asking.

Dr. B: I wonder if you've heard or you know of the Martin Luther Bloodline?

Dr. A: I know nothing about Martin Luther Bloodline.

I'll give you one other quick tip. Ask about an identification code. There's an identification code that people have. It will involve their birth date. It may involve places where they were programmed and it will usually involve a number that will be their birth order, like zero-two if they were second-born. It will usually involve a number that represents the number of generations in the Cult, if they are bloodlines. I've seen up to twelve now, twelve generations.

Dr. D: I have seen a lot of the things you've been describing today in several patients. I wanted to ask you a question about the Seven Systems. Are there Seven Systems?

Dr. A: There has been that described in some patients, yes, the Seven Systems.

Dr. E: Have you ever had any evidence where any of these people have been tagged? And how about their body-parts that might be related to this, private parts in particular?

Dr. A: Well, there are certainly people that have had tattoos, and a variety of other kinds of things, some of which have been documented in cases.

Dr. E: It's very courageous of you to meet with us like this, Dr. A. The material you've given us is most helpful.

Dr. A: A dear friend who's one of the top people in the field, has had, like myself, death threats. He struggled for professional credibility in believing in MPD a long time before it was generally accepted. He was harshly criticized for believing in it twenty years ago, but he continued to struggle for his point of professional credibility. In his heart of hearts he knew MPD was real.

Today he knows about this cult programming, this government programming, but he will say things like, "I wouldn't be surprised to

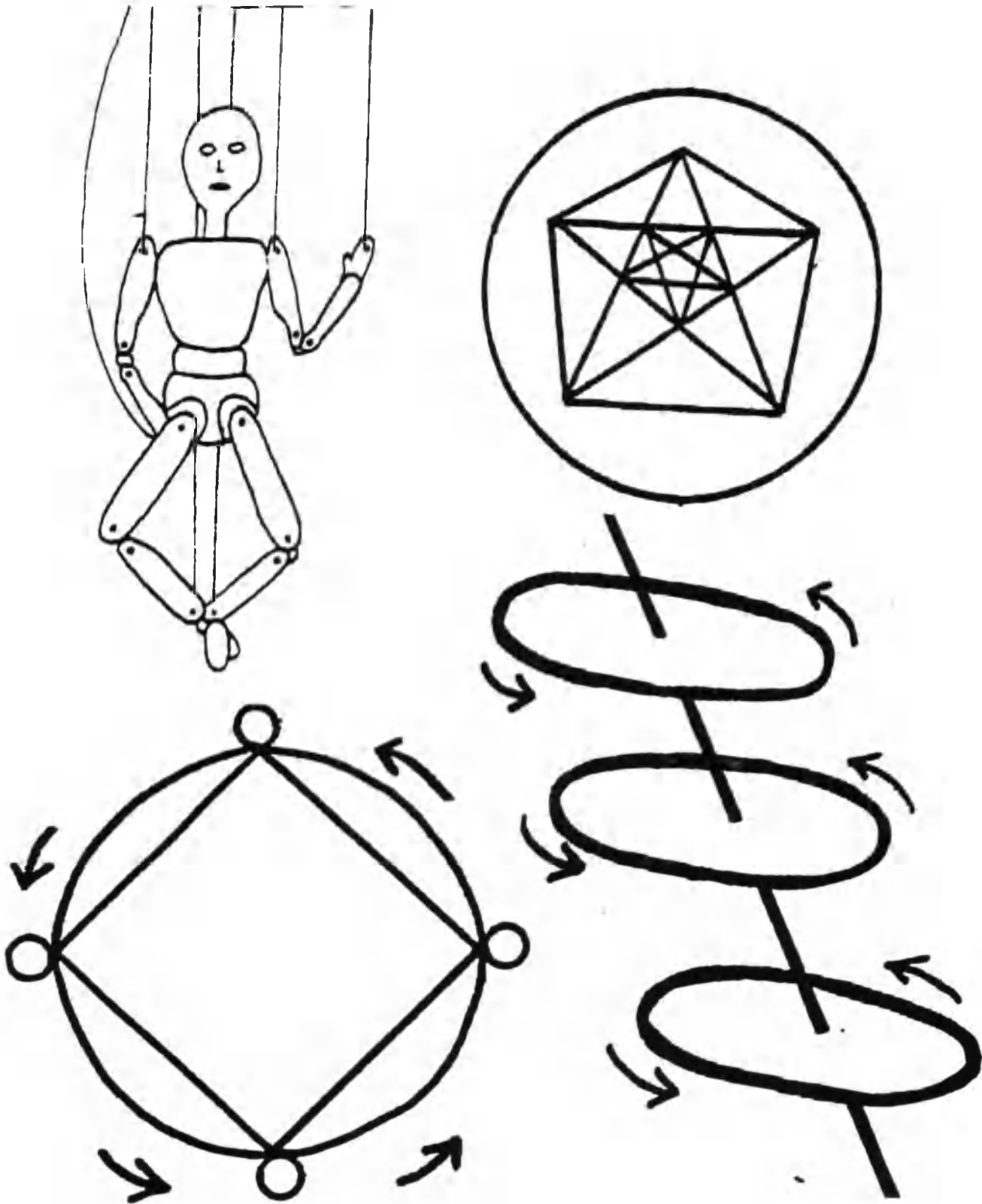


find tomorrow it was an international conspiracy and I wouldn't be surprised to find tomorrow that it is an urban myth and legend."

He tries to stay right on the fence and the reason is because it's controversial, because there is a campaign underway saying all these memories -- along with memories of incest and alien abductions and satanic rituals -- are false and induced by "Oprah" and by books like "The Courage to Heal" and by naive therapists using hypnosis. It's controversial.

My personal opinion has come to be if they're going to kill me, they're going to kill me. There's going to be an awful lot of information that's been put away that'll go to investigative reporters and multiple investigative agencies. If I ever have an accident there will be a lot of people pushing for a very large-scale investigation.

I think it's time the mental health professionals stand up as some kind of moral conscience. I have waited until we had gotten enough verification from independent places to have some real confidence that this is real and widespread.



More examples of programming diagrams which survivors have drawn. Top left: A puppet or marionette which depicts the control the abusers have. Top right: a pentagram system related to Satanism. Bottom left: a solometric system related to the Kabala tree system. Bottom right: a layered system ( 3 separate layers).

## 41

### A REPEALING THOUGHT

**I** watched C-span once again to celebrate the birth of our country. It was the first time I'd watched C-SPAN since the Clinton campaign. I watched just for a couple of synchronistic hours. They were showing programs they'd taped on June 28 and 29. First there was a program called "Project for the Republican Future". On that program the famous "political consultant and pollster, Dr. Frank Luntz told us that his polls showed that the people in the U.S. today believe the quality of life has gone *down* since the previous generation and, the majority believe that the next generation will have even a lower standard of living. He said that the polls showed that the average American believed that there was a moral decline in this country. He said, "For the first time in American history, Americans are pessimistic about their future."

I began thinking about that. I decided the decline started in 1947. What happened in 1947? We were enjoying a steady rise in our standard of living unprecedented in history. We had just won World War Two -- I was eight years old and I was having a great time -- what happened almost fifty years ago, in 1947?

In July 1947 there were headlines all over the world which said that the U.S. Airforce had discovered a crashed flying saucer near Roswell, New Mexico. The Army Air Corps arrested the sheep rancher, Mac Brazel, who'd found the wreckage of the crashed UFO scattered over several acres of his remote pasturelands. By the reports of eyewitnesses the wreckage was made of some kind of metal with a memory. It couldn't be bent, burned or hammered. Brazel was locked in a room on the Air Base in Roswell and interrogated for eight days. All his constitutional rights were violated. He was threatened with a loaded gun. The life of his wife and children were threatened. Finally he was offered a handsome payment if he would sign a security oath. Brazel died with his lips sealed but his family knew that something had changed in him. He told them that if another one of them things crashed, he wouldn't tell anybody. He always looked askance at the U.S. government thereafter. But he cashed their checks.

There were a lot of UFO sightings that year. Whether others had experiences similar to Brazel's is not known. There are a couple of congressional inquiries in the alleged Roswell crash underway at the present time. The Air Force said then that what Brazel found was a weather balloon. Recently it released newly

declassified documents. They say that what Brazel found was still a balloon, but a special high tech one.

Two months after Brazel found that "balloon" and was held in violation of his Constitutional rights, Congress quietly passed The National Security Act with little or no debate. That act made it legal to imprison someone without just cause, such as that experienced by Brazel. The passage of the National Security Act was accomplished in two weeks. That's mighty fast for any act of congress almost anytime in history except in emergency of war.

Whether or not the National Security Act had anything to do with the crash at Roswell, nobody knows. If you're looking for a motive -- for something that would motivate the mightiest nation on earth, the victors of World War Two, who lived under the wonderful Bill of Human Rights written by Thomas Paine (included as amendments to the U.S. Constitution) -- if you were looking for some motive that would make the leaders of the nation, at that time patriots all, sell out the Constitution, maybe what they found at Roswell was enough. But maybe not. Could the motive to sell out be merely greed? There are those who believe that's all there is too it. And there are those who believe that there are older and large loyalties than one's loyalty to one's Constitution. Many believe that the corrupting cloud that is occluding our nation's spiritual sun comes from an ancient plot of some secret society like the Illuminati, the Bildeburgers, the Council on Foreign Relations, unnamed global oligarchies, the Seven Sisters (the seven major fossil fuel and natural resource controlling banks)....?

Col. L. Fletcher Prouty was near the top in 1947. He was the man who would be one of the first chiefs of Special Operations for the CIA. He was one of the first warriors in the Invisible War. Before the National Security Act, Prouty says, the climate was one of being afraid of what would happen if the Soviets got the bomb. (History shows that we actually leaked it to them.) I put the questions above to Prouty. I asked him if the quick congressional passage of The National Security Act could have been prompted by what they discovered at Roswell. Prouty talked at length about the UFO question. He said in his work consulting on cryptocracy documents of that period he'd been hired to examine the MJ-12 documents. "They were forgeries," he said. But then he added, "but that doesn't mean that there's not a story behind them."

Prouty then told me about a couple of old buddies of his who were scientists who worked on ultimate secret Manhattan project which developed the atomic bomb during World War II. He said they were both neighbors who, apparently, lived under the regular flightpath of a UFO for a couple of months. At first the old guys didn't believe their eyes, and they thought that they were witnessing some new government secret flying machines. "Naturally being scientists, the third time these things show up and fly silently over their houses, they've got all their

instruments out." Prouty said he'd seen the videos they took of the craft and he saw the magnetometer readouts and a lot of the evidence. "These guys concluded," Prouty said, "these things were not ours. The way they behaved defied our known laws of physics."

Flashing back to the question of Roswell being the motive for rushing the National Security Act through congress, Prouty said he didn't believe that's the way it happened. He said "The National Security Act was already in the works for quite terrestrial reasons. It was obvious that someone had been planning it for a long while."

I told the Col. that I found it hard to believe that just a fear of Communism motivated the Cold War. "What intelligent person could buy into that?" I asked.

Prouty assured me that the Psyops worked so well that the majority believed that Communism was a real threat to our way of life. He said he had evidence, before World War II ended that there was a secret plan being followed that would set up the conditions of the Cold War.

Prouty said he had always believed that the National Security Act was a big mistake.

I tried the idea out on Prouty that it must have been the military who sold our constitution and set up the National Security State. But, Prouty assured me he knew the men who'd done it, and he'd known them well. They weren't military men. And the impression I got from him was they were sleazy, greedy, ruthless Ivy League educated civilians who wielded the mysterious power of some corporate dynasty.

Whatever the motive for the creation of the National Security State, it was the beginning of the end of our free society. Prouty reminded me that President Harry Truman mentioned it as the only decision he would like to unmake. After he left office Truman said:

**For some time I have been disturbed by the way the CIA has been diverted from its original assignment. It has become an operational and at times a policy-making arm of the government...**

**I never had any thought that when I set up the CIA that it would be injected into peacetime cloak-and-dagger operations. Some of the complications and embarrassment that I think we have experienced are in part attributable to the fact that this quiet intelligence arm of the President has been so removed from its intended role that it is being interpreted as a symbol of sinister and mysterious foreign intrigue and a subject for Cold War enemy propaganda...<sup>271</sup>**

But, the CIA is only a small part of the National Security State. Harry Truman did not have the perspective to perceive the terminal cancer of the cryptocracy to which he surrendered our freedom., He could not have realized the carcinogenic effect of institutionalized secrecy as it spread into the body politic of what was once the most freedom loving, prosperous and creative nation ever to manifest on the face of planet earth.

Flashback to that C-Span program I watched: Dr. Luntz, talked a lot about Ross Perot and how effective he'd been in the presidential campaign even though he lost. He said that Perot's campaign should serve as an example to the Republicans in the next election. He said that if he was asked what the Republicans had to do to win the 1996 elections he'd "tell the party to let the people speak..."

I thought about the National Security Act again. The Republican Party will really only be able to let the people speak if it repeals the National Security Act. I mean, it's like we're a bunch of children that are at a grown up party. We're allowed to be seen but not heard, and when we ask the politicians to tell us something relevant they either tell us "they don't have the need to know" or "we don't have the need to know." It's like telling a child, you're not old enough to know this right now, come back in forty years and we'll tell you. That's one of the effects of the National Security Act.

The Bill of Rights says freedom of speech is one of our inalienable right. But as an ordinary citizen living in the National Security State you don't *know* anything truly relevant to talk about. If you're being kept in the informational dark, you can't talk about the future. Keeping you secretly in the dark about vital information impairs your thinking. And if your thinking is impaired, your speaking is impaired. That means your freedom of speech *is* impaired.

Remember Thomas Jefferson's remark at the beginning of this book: "there is no safe depository of the ultimate powers of society but the people themselves, and if we think them not enlightened enough to exercise their control with a wholesome discretion, the remedy is not to take it from them, but to inform their discretion by education." The practices of a national security state preclude that. The control has been taken from us. The democratic processes of government today must be just for show -- a feeble attempt to keep the public order.

That's when a simple thought began to form in my mind. My parents generation wanted to drink without sneaking around so they repealed the Volstead Act which prohibited the consumption of alcohol. It ought to be that easy. This generation ought to be wise enough to repeal the National Security Act which prohibits freedom of information, therefore freedom of thought -- and therefore freedom of speech. Since the founding fathers never anticipated the invention of technologies

that would intrude themselves into a person's private thoughts, even take over and drive his dreams, should we consider adding another amendment to the Constitution which guarantees freedom of thought? One would like to believe that, once the legal debate concluded and all the testimony about the role of language (speech) in thought processes had been established, the Supreme Court would agree that the right of free speech was based upon the presumption of free thought. But there needs to be debate about it now, so that the invisible and uninvited deliberate influences upon the human mind will be mandated illegal by the courts. But you have to wonder if that's enough. Do any of our institutions have any value in this world of "out of sight, out of mind" undocumented government of this cryptocracy.

Things are different now than they were in the 1770's when this country was founded. Today mind control does exist -- it is the linchpin which keeps all the secrets -- it is the lock on the minds of the slaves that buried the secrets... But you don't have the need to know that. Or do you? Since you are interested enough to read this book to the end, you are not one of the "sheeple" who will not work to create a world that works. You are one of the people who count.

Again flashback to the panel of that same C-Span program. There was Lamar Alexander, a Bush Administration Education Secretary. He told the story about the days when he walked across the state of Tennessee -- for six months-- living with the people of his state, running for Governor. He said the most important thing he learned on the walk was the people "tuned out Washington. They listened to the local news, they read the local papers..."

And Part of that, I thought, was because people *know* what's going on. If it's not conscious yet, they know it intuitively. Few people trust the National Security State which has its head offices in Washington. That's the reason nobody trusts Washington. It's not America, it's the National Security State, and unauthorized institution of lies.

The manager of a small mid-western town, I know, told me about the time Federal Agents came into the City's office and told him what he had to do in a particular situation that clearly should have been a local decision, and which legally was protected from their interference by the body of laws called "State's Rights."

"What States Rights?" he asked. "I either had to do what they told me or my wife and kids would be at risk. They made that very plain. I did what they told me to do because I was afraid." It happened years before, but he still resented it.

While I was thinking all this, scribbling these notes, the C-Span program was continuing and my attention was captured by Jack Fund a reporter for *The Wall*

*Street Journal*, who was sitting next to Dr. Luntz. He was saying, "...the Republicans talk good, but their biggest problem -- and the problem for the Democrats too, is they talk good but they don't deliver. Talk's not worth much to the American people. There's been too much talk...."

What the politicians talk about is largely irrelevant. They're not talking about any the secrets. That's what we should be talking about. What's wrong with our country is a conspiracy against the future we don't even know about.

Everything I was watching on C-span was irrelevant and could be explained by what we don't know. The politicians ought to be asking questions like: What is it that's classified for forty or fifty years? Who is classifying it? What is the system of accountability that will correct mistakes and punish wrong doers? How can we find out the secrets that are being used to manipulate and control us? Who can we trust?

On February 2, 1994, *The New York Times* carried this editorial:

Washington's secret war over secrecy has taken a predictable turn. A year ago, President Clinton asked an interagency working group to establish a less secretive system for classifying documents. The working group labored, and came up with a draft executive order last November, which (naturally) was kept secret.

Fortunately, a copy was leaked to the Federation of American Scientists, and lo, the federation found that while suggesting a few modest reforms, the draft order would actually close the shutters tighter.

The draft order proposes, with few exceptions, a maximum classification lifetime of 40 years. As the federation's analysts point out, Richard Nixon set a maximum of 30 years for most classified documents, and Jimmy Carter fixed the limit at 20 years.

This extended period outweighs the hypothetical benefit of a "balancing test" that would allow declassifiers to weigh the public interest against national security concerns.

The acting archivist of the United States, Trudy Peterson, made the necessary point in a recent letter to Vice President Al Gore: "In our experience, there is virtually no information over 30 years old that requires continued classification. Most documents of this age are so irrelevant to current security concerns that continued withholding seems inappropriate if not laughable."

Ms. Peterson is custodian of 325 million classified documents, including files dating to World War I. The secrecy establishment



opposes en bloc declassification, and favors an arduous reviewing process that would take decades. Otherwise, it is said, the genuinely sensitive morsel might fall into the wrong hands.

Granted, that is a risk. But how much greater the danger to democracy is excessive secrecy that denies Americans information essential to accountability.

A more direct approach to weeding out this secret garden is advocated by Rep. Dan Glickman, D-Kan, chairman of the House Intelligence Committee.

Most documents are classified by executive order, without defined standards on who decides what to keep secret. Glickman would open the whole process to debate in public hearings and is drafting a bill that would establish clear rules and fix a 10-year or 6-year limit, wherever feasible, on classified security matters.

Those House hearings might also illuminate another murky front in the administration's avowed war on secrecy.

In 1993, for the third successive year, the Senate adopted a resolution urging disclosure of the now-secret budget of the Central Intelligence Agency. Yet Clinton only a few weeks ago refused again to divulge the aggregate intelligence budget. With the Cold War over, this secrecy is hard to justify.

The case for sunlight was expressed long ago by James Madison: "A popular government without popular information, or the means of acquiring it, is but a prologue to a farce or tragedy, or perhaps both."

Nice to hear that prestigious paper print the above. It ought to start a campaign and print pages of educational material about the National Security Act, truly educate the American public about the real reasons for keeping the secrets as long as possible – criminal activities. Alas, *The New York Times* has become obsolete without even becoming aware that means it has become an artform -- with all the Shamanic duties thereof.

The Internet is full of talk of this kind. There is hope in the places where people know that newspapers are obsolete. That's where you find the National Security Arc leaking like a sieve. The Internet is a citizen's intelligence network. When information travels at the speed of light, there is ultimately no secrecy.

Whenever something becomes obsolesced, it gets a lot of attention. The human form has obsolesced itself by extending its senses into the electronic realm, into everywhere at oneness at the speed of light. So, there's a sudden consciousness of the body as an artform and we see a lot of tattooing and piercing and bright blue hair and nudity and plastic surgery.

Secrecy has been made obsolete by the technology that is manifesting as the Information Age. That's why there's the attempt by the NSA to push the Clipper Chip on us. And that's why there's so much attention on keeping the secrets. That's because the cryptocracy is obsolete and therefore an artform. The real artists of secrecy, like Whitfield Diffie, are giving the secrecy to everyone. Diffie is the guy who invented the Public Code Program which allows privacy to companies and individuals over the Internet. The NSA tried to stop him, but couldn't. The Information Age (you wanna think of it as a highway?) will probably follow the evolution of CB radio. Out of anarchic chaos it will develop it's own harmonic perfection. The people will develop their own regulating practices. Order will prevail by the simple force of peer pressure -- the group feeling.

Technologies produce environments. They act like the climate in a room. When it's just right, nobody notices it. But when it's too hot or too cold, you give it your attention -- you go over to the thermostat and regulate the temperature until it's invisible again.

The National Security State has become visible. It needs to be regulated until it's invisible again. That's hard to do in the information age. It plays counterpoint to the Information Age. That's why it will go. But not without a fight. The cryptocrats have their jobs to think of. They put so much energy into setting up the National Security State.

The Cold War was just an excuse to get the National Security State going. It was just like terrorism on airplanes was just an excuse to control public air travel, just like gang shootings were just an excuse to disarm the citizenry, just like another "unwinnable" War on Drugs was just an excuse for both illegal searches and seizures, more prisons and SWAT teams, and the high price and perverse interests and availability of drugs -- mostly uppers of the kind the Nazi Blitzkrieg ran on. The Nazis went the way of the radio -- the new technology that created Hitler's environment -- it became an artform.

The secrets are coming out. Being obsolesced for a cryptocrat means he feels a great need to confess his secret sins against humanity in order to regain his own. While we may have been a nation of lab rats preyed upon by the cryptocracy, we are no longer. The way I add it up, through one secret program or another, half of the people in this country -- maybe more than 150 million people -- have been the targets of our own government's clandestine experiments. That's no longer a secret. Nothing in this book is secret any longer. (The cryptocracy will release the "official" photocopies that prove what I've said here is generally correct. But there were be carefully forged documents within the stacks meant to mislead on certain crucial points -- to mislead wherever it can.)

If we repeal the National Security Act? A few multi-millionaires may lose a lot of money -- but they'll feel a lot better about themselves in this age of ecological awareness. The Robber Barron view of free enterprise is obsolete but will only come out in the open after the last business secret is revealed. Then, in a "win-win" world there will be more rich people than ever before. Money is information after all.

So what have we average people got to lose by repealing the National Security Act? Probably we've got a lot to gain -- our freedom of thought foremost.

My mother (Born 1910) used to tell me when I was an overly curious little kid asking about adult things, "What you don't know won't hurt you." that was probably part of the mind set that gave us the Great Depression and a couple of World Wars. Now, as an adult, I know that what my mother told me was not true. People have always been the victims of their own ignorance -- individually and culturally.

What will happen when we repeal the National Security Act?

Worse case scenario: After the votes have been counted and the repeal is announced. The voters who worked hardest for the repeal will rush out into the streets to celebrate. They will hear tanks rumbling down the streets, helicopters flying in the night. The communications systems will be jammed by high tech military technology. What happened in Baghdad will happen here. There will be blackouts. The radio and television, when it comes back, will be run by the military dictatorship which will announce that, due to some plausible argument designed to persuade us that this is for our own good, a state of national emergency has been declared. How many of us will laugh at that? The concentration camps have already been built to house those who resist the orders of the mind controlled troops.

Back in the 1300's a Sufi scholar named Ibn Khaldun wrote a book called *Muqahdimmah (Introduction To The History of The World)*. Arnold Toynbee called Khaldun the greatest historian who ever lived. He kept things simple and summed up the nuts and bolts of western societies in a single work.

Khaldun said all Western civilizations are motivated by dynasties who consume (and display) wealth. He said the majority of the people are the Bedouins (people who live in the desert and know how to do more with less) and they are the only source of true wealth. They are taxed by the dynasty which must display the wealth to motivate individuals and it must pay the military (or police) to guard the wealth from those who would let their greed overcome them.

This all seems to work no longer than 3 generation or 75 years. Then the Bedouins notice they have been over-taxed because the dynasty lives in fear of the military which it has had to give a raise every year in order to keep it at bay. The dynasty has become so preoccupied with its fear of the military that it's lost sight of the needs of the Bedouins. That's when the collapse begins. Khaldun talks at length about the "group feeling" which is the invisible glue, the *zeitgeist*, of the Bedouins, a mystical force far more powerful than any military has ever possessed. (In Khaldun's time the military had only a primitive knowledge of mind control.)

When the time has come the dynasty collapses one of three ways: 1. It collapses from within and the power goes back to the local dynasties. 2. The military overthrows the dynasty by force. But the military rulership will collapse too, because if an army is a good army it's habits are Spartan and it knows nothing of consuming wealth and displaying luxury – a requirement, Khaldun says, of a healthy economy. 3. The best thing that can happen is that a leader emerges from the Bedouins who expresses the group feeling, and through the directed force of group feeling the dynasty is overthrown. The leader sets up a new dynasty and the whole cycle begins again. During the first generation of the new dynasty, however, things are at their best.

In the Information age, I would think, there need be no single individual who expresses the group feeling. The consensus evolves through constant feedback. The leader is information. The machine (the system) is information. And the wealth that is produced is information. The free flow of information – particles at the speed of light – can be contained only so long as the container is not full. When the container is full, like the crystal in a laser, the information becomes organized, coherent, and powerfully bursts from the weakest point of the container, which hopefully is the deliberately placed weakpoint, and the laser is aimed at the problem which the first burst solves.

Like Khaldun, I am an optimist. We both believe in the inherent goodness of the human spirit. I've not been in many dangers, a big California earthquake and the blackout in New York City in 1965. Both times I witnessed a great demonstration of the best in humanity. It's just as Jeff Bridges said in *Starman* when, playing an alien intelligence hiding in a human body he summarized one of the miracles of the human beauty: "When things are at their worst, you're at your best."

It's not the people with courage who're sneaking around within this cryptocracy – it's not all the filing clerks and functionaries that make up the CIA, NSA, NRO, NPO, and the rest. The cryptocracy and our military can not all be entirely hypno-programmed. The Delta Force team, yeah. The Seal teams, yeah, a few other small crack cadres, but not the majority of the U.S. military. Not all, not yet.

So, the day after the Repeal I don't think there'll be Regular Army in the streets. After the creation of the right series of worst case pseudo-events (some divide and conquer strategy) in the media, there could be foreign troops in the streets -- a United Nations "peacekeeping force."

It's up to us to read the books on the National Security Act. Learn the lingo, then, armed with the facts, start calling for the repeal of it. At this time it would appear to be unthinkable. The National Security State would appear to be a given, something taken for granted like the air we breathe. But try telling people you're working to repeal it and watch them want to join you.

I tried this in Los Angeles not long ago: I was speaking about the topic of this book and I concluded with something on the order of this chapter which I'd only roughed out. The following speaker was Retired U.S. Air Force Technological Intelligence Colonel Thomas Bearden who was to speak as a physicist on the healthful uses of some of the new technologies he has become expert in.

Bearden walked up the podium as I was trying to ask the many questioners to meet me in the hall outside. I introduced myself to Bearden telling him I'd enjoyed trying to understand his book *The Excalibur Briefing*. He smiled and thanked me for the compliment. Then I looked him straight in the eye and said, "Tom, you know we're going to repeal The National Security Act."

He took a step backward as if I'd poked him with the comment in the solar plexus. "But...but... the military... there must be military secrets..." he stammered.

"Of course there does. The military has never had any trouble with that. There's a chain of command. There's honor. There's accountability... The military can have their legitimate secrets..." I told him.

"Well then," he said, extending his hand. "I'm with you."

You'll be surprised at how many allies you'll find in abolishing The National Security Act.

Senator John Warner, someone told me, was talking about abolishing the CIA in late July or August of 1994. I thought that was a sign. The time had come to open Pandora's box. Even a member of the Senate Intelligence Committee was talking about doing away with the CIA? But when I looked up what Warner said, I found he was only talking about cutting the budget and finding something for the multi-billion dollar agency to do. Maybe he had thought about abolishing the CIA, but that's as far as a man in his political position could go. And maybe he even had some thoughts about abolishing the National Security Act. He's a human

being and he's probably privy to some of the ugly secrets hidden behind The National Security Curtain.

This is the information age, and the politicians who discover what that means -- ultimately there will be no secrecy -- will find themselves on the winning side, aligned with the group feeling which will repeal the National Security Act.

Again flashing back to that Fourth of July: following that program on the Republican's Future on C-Span was a program taped at the National Press Club called "Restoring Public Trust." I found it just as fascinating as the previous program. It was another program in which the panelists were trapped, talking in circles in front of the National Security Curtain. Almost everything the panelists said was irrelevant.

Richard Leone, President of the 20th Century Fund lamented the fact that people didn't even trust privacy, any more. He said they didn't think anything of business rights of privacy or attorney/client privileges, or the doctor/patient privileges or the priests secrecy of the confessional. I could not believe that Richard, at the pinnacle of power at the 20th Century Fund, had overlooked this as an obvious effect of living in an involuntary and corrupt cryptocracy.

This panel spent the next hour responding to a paper Tom Rosenstiel, Media Correspondent of *The L.A. Times*, had written. Rosenstiel and his other panelists: Paul Begala, Susan Page of *Newsday*, all agreed that, as Professor Rosen of NYU had put it, "It's not up to journalists to save democracy. All that they can even hope to do is save journalism."

Nobody mentioned the National Security Act. I wondered if they just accepted it as an irreversible fact, or if they were even aware of its effects on information at all? I mean is the press part of the cryptocracy too? Do journalists now have security clearances?

I was hoping I'd hear a quote from Jefferson on the importance of the press to the functioning of the democratic process. We should make sure our kids are taught this quote of Jefferson's, at least: "...the remedy is not to take it from them (classify it), but to inform their discretion by (good journalism?)-- education."

On C-Span, these, supposedly the best journalists, jawed on about press coverage of the White House without seeming to be aware that all there is to cover has already been covered with a TOP SECRET stamp -- what the press should be writing about, instead of O.J. Simpson, are all the secrets behind the National Security curtain.

Jay Rosen, the NYU Journalism professor, wore a blue work shirt and no tie. He did wear a jacket though, as a token of his tenure. He complained about the "visible loss of press authority," saying that journalists were "increasingly unable to persuade their audience that they make any difference in question of politics..." Did it ever occur to Rosen that this is true because of the effects of living in front of a National Security curtain?

Rosen came as close to bringing up the real problem as anybody that day. As clear as he got was to say, "the press has no long-run strategy for addressing its loss of authority..." Which I say, it can do easily, by realizing the problem comes from the National Security Act and the cryptocracy. (How about a Freedom of Speech Club in which every journalist and editor is given a lie detector test asking if she's now or ever been an asset of the cryptocracy?)

Paul Begala, Media Advisor to President Clinton said, "People today view their leaders in a more cynical way than they ever have -- not skeptical, cynical..."

President Clinton probably wouldn't be having all the problems he's having if the National Security Act had ceased to exist by the time he was elected governor. But, had it never existed, he probably never would have gone to Oxford, nor would he have been elected President of the United States. You hear him trying to reform the health care system, but you don't hear him ever speaking of the tyranny which lurks behind the National Security curtain -- and revealing the details of 1/3 of the national budget which funds the black operations of the cryptocracy.

Begala said he'd like to see more "basic mainstream facts from journalists", rather than so much "analysis and speculation" about things. But none of the journalists said, "that's all the cryptocracy's left is, the irrelevant stuff, the obsolete, just yesterday's news..."

Journalism is a rewarding craft. A journalist is someone who is a generalist in a world of specialists. A journalist need know nothing at all, except how to find out anything. It's a wonderful pursuit for the inexhaustibly curious. A journalist is a detective looking for information and her boss is the public -- everyone. The truth shall make you free.

What I'm saying here isn't over the head of the silent majority. In fact, I believe I'm expressing, if not the manifesting group feeling, at least the opinion of the five percent that counts -- the five percent who are communicating, the five percent (which is all it takes to succeed) who will make the positive changes necessary, the five percent who, together, will overcome the inertia of the National Security State.

Then there are those who would ridicule "conspiracy theorists", calling them paranoid. The word paranoia can mean "heightened awareness" or it can mean "irrational fear." The majority opinion on the Internet is aware and concerned. Internet knows what's going on. Without paranoia the people might perish.

We have entered the Information Age. We are extending our senses by electronic technology into the realms of light. The speed of light approaches the speed of thought. There is coming a great simultaneity – an everywhere-at-onceness – a form of global consciousness experienced on a personal level.

At the same time there are forces of inertia that need to be overcome. Inertia describes the tendency of a body at rest to stay at rest, while a body in motion has a tendency to stay in motion. So, it's simply a law of physics: the national security body which has stalled on the freeway will be moved out of the way.

We're getting crystal clear feedback from the group feeling. The river of electrons on the Internet is telling us: "Invisible weapons technology will continue to develop, and minds will be controlled at a distance, and dreams will be driven en masse. But the river is telling us that by the very nature of the Information Age (of which most are unaware) we will see the controller become the controlled and the controlled become the controller."

With one foot still in the old, linear, plumbing diagram modality of the Industrial Age where things move in patterns of start, stop and change, there has come an epic time of change. And it would help if this is done consciously. It is happening unconsciously already, and for some, the understanding of what is happening will never come to consciousness. For many there will be no debriefing, and they will simply move to another plateau without leaving a trail of history, without learning how to do it better if something similar comes up in the future.

So, from the platform of my obsolete self, I say, aloud: "Repeal The National Security Act."

Then I hear the echo from the river: "It's already been repealed. There are no secrets. There can be no secrets in the Information Age. Everyone knows everything all at once."

You ask what will happen to the cryptocrats? They will be recognized as the artists that they are. Bob Dobbs explains:

**The best qualified CIA "covert operations" planning executives are to be found among hack paperback novelists and TV dramatists. The credulous neurotic projects reality onto the banal stage and TV screen "productions" because of his strong desire to believe that the**



combination of painted backgrounds, papier-mâché, costume, and montage has such reality. There is no way in which to conceal repeated "covert operations" unless the public wishes to be credulous. Give that public a fantasy of the sort to which it is susceptible, and no amount of mere fact will easily dissuade the majority of such persons from believing in whatever illusion the covert operation is designed to create. The application of the calculated deception of the successful hack novelist and dramatist to the so-called "documentary film" and "non-fiction expose" is the connecting link between outright pornography-writing and the techniques for designing a CIA-type "covert operations" scenario. (If, by chance, a covert operation is "blown", the CIA's obvious remedy is to prompt one of its subsidiaries or sister-agencies to whip up a fresh exposé of the CIA! Give the credulous public a "believable" exposé scenario and the exposé provides a deeper cover than the original plot itself.)<sup>272</sup>

When I last saw Bob, between meetings of a *Firmegan's Wake* study group, he was making an in-depth study of Norman Mailer's novel, *Harlot's Ghost*, and trying to explain how he was actually the central character in the book. Shortly after I visited Bob, I visited, Fletcher Prouty. He had read *Harlot's Ghost* and had made a list of character's names beside which he wrote the names of real people he thought they might be. He sent the list to Mailer who wrote back telling him he'd gotten all of them right except one.

There may be more in Bob's brief, dense comment than at first one surmises. There have been a lot of writer's involved as contributors to the cryptocracy. From L. Ron Hubbard back in the 40's to Jerry Pournelle in the '70's. Pournelle is a best-selling SF writer, and columnist who writes on consumer computer technology. In this instance he was the systems operator of a forum on Genie. The topic of the forum discussion Pournelle moderated was the "Clinton Administration." Chuck Zeps posted an article about Clinton's alleged involvement in CIA drug smuggling through Mena, Arkansas — the real story behind the "Whitewatergate" scandal. He then posted an article published in a LaRouche periodical entitled *Natural Born Killers, Executive Intelligence Review releases study linking British Psychiatry to Assassination*. The article argued that assassins were being programmed, not by the good old U.S. but by the British. Pournelle reacted strongly against Zeps, calling him an "agent provocateur" and stating that he worked for "the other side."

"I thought his reaction was totally out of proportion," Zeps said, "and after reading the 'assassination' stuff from Larouche, I think Pournelle (a trained

---

<sup>272</sup> Bob Dobbs, *Phatic Communion With*, Perfect Pitch Editions, 598 St. Clair Ave. West, Toronto, Ontario M6C 1A6, Canada, 1992.

Psychologist) may be more concerned with his government psychological work coming to light than any 'communist' allegations."

"Flame" is cyberjargon for argument in the restrictive format of the net. And it was what Pournelle and Zeps had. Zeps got in his licks, apparently pushing some invisible buttons of Pournelle's. And Pournelle's best retort was a cliché which former cryptocrats on the net often quote -- from Napoleon Bonaparte (who ought to know): "Never ascribe to malice what can be explained by simple incompetence."

The flame dampened when Pournelle asked the net overseer to throw Zeps off and banish him to America Online.

But maybe Pournelle, by quoting Napoleon, was making an important point -- maybe he was offering us a strong argument for the repeal of the National Security Act. Under this act it usually takes 20 years or more to discover any incompetence. The National Security Act protects incompetents, as well as criminals and those who've just made bad decisions. Could Watergate, Iran/Contra Affair, the assassinations, and so forth, could they all have been just due to the institutionalize incompetence of a cryptocracy?

Okay, let's suppose all this mess has been made by honest mistakes. Then let's declare a period of amnesty for all the criminally incompetence of the cryptocracy. A full pardon will be issued for every cryptocrat who turns in his secrets and promises never to do it again.

Flashback with me again to last Fourth of July on C-Span: the journalists and politicians and pollsters were all really talking about the problems created by the National Security State, yet they never spoke the phrase. It was like they were players in a novel nobody was reading. Perhaps they didn't know the cause of the problems they were discussing. They were acting like they lived in a room which was the perfect temperature. They didn't notice the temperature. The National Security curtain has made half of reality invisible.

Bill Clinton's Secretary of Energy, Hazel O'Leary made big waves by telling the truth. She ordered the Department of Energy to declassify 32 million pages of secret files. That's a pile of papers three miles high. (I'll lead the applause for O'Leary.) But, now Ma'm, there must be another 32 million pages of secrets still left. Let's see those too. How much uranium and plutonium has really been scattered around the planet? How many people have died from radiation effects? What do our secret intelligence reports say on the effects of the Soviet bungle at Chernobyl? How many of the so-called Monarch survivors were also used in radiation experiments? And what's this HAARP tower in Alaska all about?

Ms. O'Leary said: "I've looked into the eyes and faces of people doing battle with their government..."

But, I've got to tell Ms. O'Leary, God bless her -- she declassified the biggest pile of secret documents in U.S. history -- but she's got a lot more eyes and faces to look into before its over. (Using her terms) The battle hasn't even started. She's seen only the radiation guinea pigs.

I've interviewed disproportionately too many "survivors" of the so-called Project Monarch who have had to have their thyroids removed. But, O'Leary isn't the secretary who is going to have to look into the faces of the army of zombies who've been mind-controlled by a half dozen agencies of the cryptocracy. The Department of Energy barely even qualifies as an agency of the cryptocracy. Maybe O'Leary should be appointed to the directorship of the CIA next?

O'Leary announced that cleaning up the radiation dumps around this country are going to cost \$300 million. I wonder what the doctors are going to charge to restore peace of mind to the millions of mind control "survivors" that are just now discovering they need psychological help. And what about all those that've killed themselves due to mind control? And what about those that've killed others because of mind control? And what about all those who were killed because they began to remember the dirty secrets that they were programmed to forget -- those whose amnesia finally ran out?

There are six new lawsuits over radiation experimentation and carelessness (August, 1994). That's six more out of 165,000 workers in a 1.5 billion industry. I know of twice that many mind control suits shaped up in the same time.

One thing that the mind control suits and the suits against the DOE or most other agencies have in common (sometimes the DOE is the object of the mind control suits as well) -- all but a few are thrown out of court when the National Security Act is invoked.

See, the National Security Act says that "in the interest of national security" you're not entitled to a fair trial... all your civil rights can be suspended in the "interest of national security". And what is national security? Nobody knows. There's no case law on it. It's anything the cryptocrats say it is, and for some reason, the judges go along with this ... Why? Probably because they're part of the cryptocracy, or they're afraid that the pictures of themselves molesting that beautiful young child will be made public and that'll be the end of their careers. They didn't know that it was the cryptocrats who provided the child and the child is an MPD ( multiple personality) who's specially trained to perform some perverted sexual act that serves the judges own paedophilic or bestial tastes... But I don't want to pick on judges, how about Senators, Congressmen, Presidents, Cabinet members,

prominent entertainers, the rich and the famous... This is what we're hearing over and over from the survivors of Project Monarch -- which may have been also called Project One Hundred Thousand... (Have you seen anything about that in your local newspapers?)

And journalists are doing a poor job covering the "War on Drugs." I asked one former spook how the "war on drugs" was going. And he said, "What war on drugs?" It's the CIA's war against their competition in the drugs business." So, here we are again. Without the National Security Act we wouldn't have a drug problem in this country. (As the song goes: "What the government denies, free enterprise supplies...")

Journalists don't report on the lag in technology which would not exist if the National Security Act were repealed and all the secrets revealed. They usually don't report on how cold fusion will make fossil fuels obsolete, and allow the atmosphere to regain its natural purity. They usually don't report on the wonderful powers of the human mind that have been discovered in the mind control research which has spanned fifty years... discovered and hidden behind the National Security Curtain.

Happily, the cryptocracy cannot sustain its secrecy because, to quote McLuhan, "When information travels at the speed of light there is no secrecy." ( And there's no proprietary right either because information is everywhere at once.) Clearly now, we're seeing the effects of the information age. There are leaks in the national security dike. More and more you can find someone telling the naked truth somewhere. Usually it's in the cybernetic samisdat. In *Mondo2000* the group feeling was expressed by this insight of Xandor Korzibsky's:

**"Have you figured it out yet? OK, let me spell it out for all you pathetic autists (as in autistic): They know exactly which ELF frequencies, waveforms, and code sequences (brainwave-frequency region pulse-code modulation superimposed widely on power lines, radio, TV, and microwave transmissions) to use and can create any emotion or pathology they please. You don't. And you probably don't own a real ELF detector! You poor bleating sheep don't even know they're ALREADY using ELF generators in malls, restaurants, and bars to maximize throughput and revenues -- even magnetizing fans in air conditioners and refrigerators to create pulsed ELF waves to zap you. It will all be duly captured by Hillary's SmartCard which will store your brainwaves and monitor all transactions everywhere you go, so the Thought Police can download it any old time via the data superhighway and issue the ultimate ACCESS DENIED..."**

When Albert Einstein was warning the superpowers about nuclear folly, and after the first explosion of the hydrogen bomb which did not blow up the planet as some feared it might, but merely proved his theories correct, he said that mankind had come to the crossroads at which the human "spirit must again overcome technology."

How long will we be stuck at Einstein's intersection? In the 50's it was the nuclear threat, the big and visible, the loud and devastating, the hot flash of light and the mushroom cloud. Now, it's the insidious, sneaky, "non lethal weapons" technology, ELF, VLF, SHF, microwaves and other waves and rays of an Invisible War against all humanity.

When Hazel O'Leary explained her reasons for releasing the three-mile-high stack of secret Department of Energy (formerly Atomic Energy Commission) documents, she said, "The place needed shaping up. It had to be removed from the shroud of Cold War secrecy..." And so does the National Institute of Mental Health, the Veterans Administration, and all the other "public service" agencies of government -- and so does the whole society. We can all at once repeal the National Security Act, and all the secret agencies under it which violate our Constitutional rights. Why tell the truth one declassified document at a time, or thirty-three million declassified documents at a time? Why not do it all at once by abolishing the National Security Act?

The National Security Act has taken the truth away. We are, in fact, living in a state of Martial Law, a State of National Emergency. They call it national security. Where's the security in it? Without freedom, without civil rights, what kind of security can a people have? And if the people aren't the nation, then we're gonna have to fix that starting right now. Maybe we don't even need nations anymore? But if we don't, we need the voluntary commitment to whatever is better. The group feeling will create the change. It's being expressed.

Hear it in some lines from a poem by Diane Di Prima. It's a poem entitled -- Rant<sup>273</sup>:

The only war that matters is the war against the imagination.  
The only war that matters is the war against the imagination.  
The only war that matters is the war against the imagination.  
All other wars are subsumed in it.  
There is no way out of the spiritual battle...



From  
H. Girard

*SECRET*

~~SECRET~~ GOVERNMENT CONSISTS OF 1 PAGES  
NO. 1 OF 1 SERIES

UNITED STATES  
ATOMIC ENERGY COMMISSION

\* 19940000081 \*



4234

April 17, 1947

U. S. Atomic Energy Commission  
P. O. Box 8  
Oak Ridge, Tennessee

Attention: Dr. Fidler

Subject: MEDICAL EXPERIMENTS ON HUMANS

1. It is desired that no document be released which refers to experiments with humans and might have adverse effect on public opinion or result in legal suits. Documents covering such work field should be classified "secret". Further work in this field in the future has been prohibited by the General Manager. It is understood that three documents in this field have been submitted for declassification and are now classified "restricted". It is desired that these documents be reclassified "secret" and that a check be made to insure that no distribution has inadvertently been made to the Department of Commerce, or other off-Project personnel or agencies.

2. These instructions do not pertain to documents regarding clinical or the therapeutic uses of radioisotopes and similar materials beneficial to human disorders and diseases.

ATOMIC ENERGY COMMISSION

O. O. HAYWOOD, JR.  
Colonel, Corps of Engineers.

*RESTRICTED DATA*

CLASSIFICATION CANCELLED  
AUTHORITY: DOE/SA-20  
BY: B.R. SCHMIDT, DATE:  
1485c Lt 2/22/94

*SECRET*

From H. Girard







~~SECRET~~  
CENTRAL INTELLIGENCE AGENCY  
WASHINGTON 25, D. C.  
OFFICE OF THE DIRECTOR

1952?  
TABS NOT FOUND

Declassified by 057275  
date 28 APR 1977

MEMORANDUM TO: Director, Psychological Strategy Board  
SUBJECT: Flying Saucers

1. I am today transmitting to the National Security Council a proposal (TAB A) in which it is concluded that the problems connected with unidentified flying objects appear to have implications for psychological warfare as well as for intelligence and operations.
2. The background for this view is presented in some detail in TAB B.
3. I suggest that we discuss at an early board meeting the possible offensive or defensive utilization of these phenomena for psychological warfare purposes.

Enclosure

Walter B. Smith  
Director

14

~~SECRET~~



[54] HEARING DEVICE

[76] Inventor: Phillip L. Stocklin, P.O. Box 2111, Satellite Beach, Fla. 32937

[21] Appl. No.: 562,742

[22] Filed: Dec. 19, 1983

[51] Int. Cl.<sup>4</sup> ..... A61N 1/35

[52] U.S. Cl. .... 128/422; 178/419 S

[58] Field of Search ..... 128/419 R, 419 S, 422, 128/653, 771, 732, 741, 746, 791, 804; 340/407

[56] References Cited

U.S. PATENT DOCUMENTS

3,490,458	1/1970	Allison	128/421
3,751,605	8/1973	Michelson	128/1 R
3,951,134	4/1976	Malech	128/131
4,428,377	1/1984	Zöllner et al.	128/419 R

FOREIGN PATENT DOCUMENTS

893311	2/1972	Canada	128/422
2811120	9/1978	Fed. Rep. of Germany	128/419 R
591196	1/1978	U.S.S.R.	128/419 R

OTHER PUBLICATIONS

Gerkin, G., "Electroencephalography & Clinical Neurophysiology", vol. 135, No. 6, Dec. 1973, pp 652-653.  
 Frye et al., "Science", vol. 181, Jul. 27, 1973, pp. 356-358.

Disc, William, "Low Power Radio-Frequency and Microwave Effects on Human Electroencephalogram and Behavior", Physiol. Chem. & Physics 10 (1978).

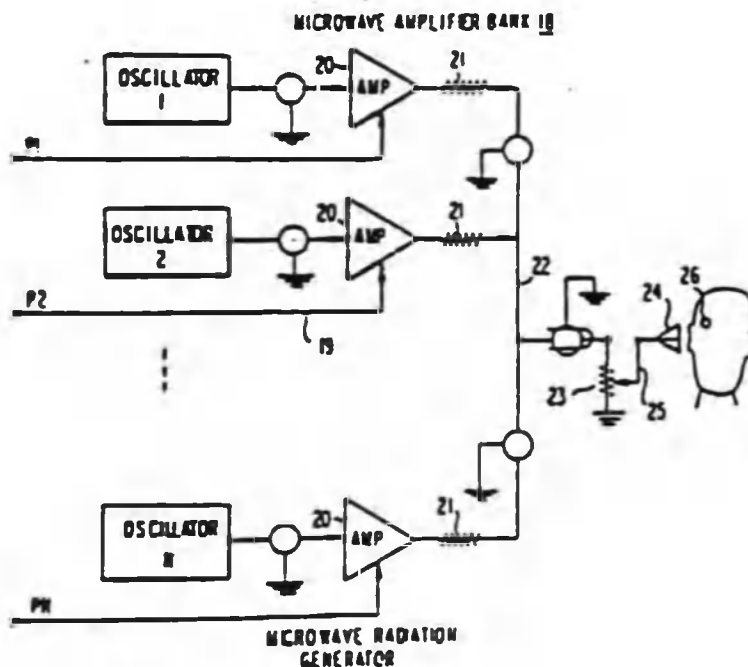
Primary Examiner—William E. Kamin

Attorney, Agent, or Firm—Wegner & Bretschneider

[57] ABSTRACT

A method and apparatus for simulation of hearing in mammals by introduction of a plurality of microwaves into the region of the auditory cortex is shown and described. A microphone is used to transform sound signals into electrical signals which are in turn analyzed and processed to provide controls for generating a plurality of microwave signals at different frequencies. The multifrequency microwaves are then applied to the brain in the region of the auditory cortex. By this method sounds are perceived by the mammal which are representative of the original sound received by the microphone.

29 Claims, 7 Drawing Sheets



*Complements of Marian Garcia*

## HEARING DEVICE

## BACKGROUND OF THE INVENTION

## 1. Field of the Invention

This invention relates to devices for aiding of hearing in mammals. The invention is based upon the perception of sounds which is experienced in the brain when the brain is subjected to certain microwave radiation signals.

## 2. Description of the Prior Art

In prior art hearing devices for human beings, it is well known to amplify sounds to be heard and to apply the amplified sound signal to the ear of the person wearing the hearing aid. Hearing devices of this type are however limited to hearing disfunctions where there is no damage to the auditory nerve or to the auditory cortex. In the prior art, if there is damage to the auditory cortex or the auditory nerve, it cannot be corrected by the use of a hearing aid.

During World War II, individuals in the radiation path of certain radar installations observed clicks and buzzing sounds in response to the microwave radiation. It was through this early observation that it became known to the art that microwaves could cause a direct perception of sound within a human brain. These buzzing or clicking sounds however were not meaningful, and were not perception of sounds which could otherwise be heard by the receiver. This type of microwave radiation was not representative of any intelligible sound to be perceived. In such radar installations, there was never a sound which was generated which resulted in subsequent generation of microwave signals representative of that sound.

Since the early perception of buzzing and clicking, further research has been conducted into the microwave reaction of the brain. In an article entitled "Possible Microwave Mechanisms of the Mammalian Nervous System" by Philip L. Stocklin and Brain F. Stocklin, published in the TTT Journal of Life Sciences, Tower International Technomedical Institute, Inc. P.O. Box 4594, Philadelphia, Pa. (1979) there is disclosed a hypothesis that the mammalian brain generates and uses electro magnetic waves in the lower microwave frequency region as an integral part of the functioning of the central and peripheral nervous systems. This analysis is based primarily upon the potential energy of a protein integral in the neural membrane.

In an article by W. Bise entitled "Low Power Radio-Frequency and Microwave Effects On Human Electroencephalogram and Behavior", *Physiol. Chemistry Phys.* 10, 387 (1978), it is reported that there are significant effects upon the alert human EEG during radiation by low intensity CW microwave electromagnetic energy. Bise observed significant repeatable EEG effects for a subject during radiation at specific microwave frequencies.

## SUMMARY OF THE INVENTION

Results of theoretical analysis of the physics of brain tissue and the brain/skull cavity, combined with experimentally-determined electromagnetic properties of mammalian brain tissue, indicate the physical necessity for the existence of electromagnetic standing waves, called modes in the living mammalian brain. The mode characteristics may be determined by two geometric properties of the brain; these are the cephalic index of the brain (its shape in prolate spheroidal coordinates)

and the semifocal distance of the brain (a measure of its size). It was concluded that estimation of brain cephalic index and semifocal distance using external skull measurements on subjects permits estimation of the subject's characteristic mode frequencies, which in turn will permit a mode by mode treatment of the data to simulate hearing.

This invention provides for sound perception by individuals who have impaired hearing resulting from ear damage, auditory nerve damage, and damage to the auditory cortex. This invention provides for simulation of microwave radiation which is normally produced by the auditory cortex. The simulated brain waves are introduced into the region of the auditory cortex and provide for perceived sounds on the part of the subject.

## BRIEF DESCRIPTION OF THE DRAWINGS

FIG. 1 shows the acoustic filter bank and mode control matrix portions of the hearing device of this invention.

FIG. 2 shows the microwave generation and antenna portion of the hearing device of this invention.

FIG. 3 shows a typical voltage divider network which may be used to provide mode partition.

FIG. 4 shows another voltage divider device which may be used to provide mode partition.

FIG. 5 shows a voltage divider to be used as a mode partition wherein each of the resistors is variable in order to provide adjustment of the voltage outputs.

FIG. 6 shows a modified hearing device which includes adjustable mode partitioning, and which is used to provide initial calibration of the hearing device.

FIG. 7 shows a group of variable oscillators and variable gain controls which are used to determine hearing characteristics of a particular subject.

FIG. 8 shows a top view of a human skull showing the lateral dimension.

FIG. 9 shows the relationship of the prolate spherical coordinate system to the cartesian system.

FIG. 10 shows a side view of a skull showing the medial plane of the head, section A—A.

FIG. 11 shows a plot of the transverse electric field amplitude versus primary mode number M.

FIG. 12 shows a left side view of the brain and auditory cortex.

FIG. 13 shows the total modal field versus angle for source location.

## DETAILED DESCRIPTION OF THE PREFERRED EMBODIMENT

This invention is based upon observations of the physical mechanism the mammalian brain uses to perceive acoustic vibrations. This observation is based in part upon neuro anatomical and other experimental evidence which relates to microwave brain stimulation and the perception of sounds.

It has been observed that monochromatic acoustic stimuli (acoustic tones, or single tones) of different frequencies uniquely stimulate different regions of the cochlea. It has also been observed that there is a corresponding one to one relationship between the frequency of a monochromatic acoustic stimulus and the region of the auditory cortex neurally stimulated by the cochlear nerve under the physiologically normal conditions (tonotopicity).

It has been observed that for an acoustic tone of a frequency which is at the lower end of the entire acous-

tical range perceivable by a person, that a thin lateral region ("Line") parallel to the medial axis of the brain and toward the inferior portion of the primary auditory cortex is stimulated. For an acoustic tone whose frequency is toward the high end of the entire perceivable acoustic range, a thin lateral region parallel to the medial axis and toward the superior portion of the primary auditory cortex is stimulated.

Neural stimulation results in the generation of a broad band of microwave photons by the change in rotational energy state of protons integral to the neuron membrane of the auditory cortex. The physical size and shape of the brain/skull cavity, together with the (semiconductor) properties (conductivity and dielectric constant) of the brain tissue provide an electromagnetic resonant cavity. Specific single frequencies are constructively reinforced so that a number of standing electromagnetic waves, each at its own single electromagnetic frequency in the microwave frequency region, are generated in the brain. Each such standing electromagnetic wave is called a characteristic mode of the brain/skull cavity.

Analysis in terms of prolate spheroidal wave functions indicates that transverse electric field components of these modes have maxima in the region of the auditory cortex. This analysis further shows that transverse electric field possess a variation of amplitude with angle in the angular plane (along the vertical dimension of the auditory cortex) and that is dependent only upon the primary mode number.

The auditory cortex in the normally functioning mammalian brain is a source of microwave modes. The auditory cortex generates these modes in accordance with the neural stimulation of the auditory cortex by the cochlear nerve. Mode weighting for any one acoustic tone stimulus is given by the amplitude of each mode along the line region of the auditory cortex which is neurally stimulated by that acoustic tone stimulus. A listing of mode weighting versus frequency of acoustic stimulus is called the mode matrix.

In this invention, the functions of the ear, the cochlear nerve, and the auditory cortex are simulated. Microwaves simulating the mode matrix are inserted directly into the region of the auditory cortex. By this insertion of simulated microwave modes, the normal operation of the entire natural hearing mechanism is simulated.

Referring now to FIG. 1 and FIG. 2 there is shown an apparatus which provides for induced perception of sound into a mammalian brain. This hearing device includes a microphone 10 which receives sounds, an acoustic filter bank 12 which separates the signals from the microphone into component frequencies, and a mode control matrix 14 which generates the mode signals which are used to control the intensity of microwave radiations which are injected into the skull cavity in the region of the auditory cortex.

The acoustic filter bank 12 consists of a bank of acoustic filters F1 through Fk which span the audible acoustic spectrum. These filters may be built from standard resistance, inductance, and capacitance components in accordance with well established practice. In the preferred embodiment there are 24 filters which correspond to the observed critical bandwidths of the human ear. In this preferred embodiment a typical list of filter parameters is given by Table I below:

TABLE I

Filter No.	Center Frequency (Hz.)	Bandwidth (Hz.)
1	50	less than 100
2	150	100
3	250	100
4	350	100
5	450	110
6	570	120
7	700	110
8	840	150
9	1,000	140
10	1,170	170
11	1,370	210
12	1,600	240
13	1,850	280
14	2,150	320
15	2,500	380
16	2,900	450
17	3,400	550
18	4,000	700
19	4,800	800
20	5,800	1,100
21	7,000	1,300
22	8,500	1,800
23	10,500	2,500
24	13,500	3,500

The rectifier outputs one through K are feed to K mode partition devices. The mode partitioning devices each have N outputs wherein N is the number of microwave oscillators used to generate the microwave radiation. The outputs 1 through N of each mode partition device is applied respectively to the inputs of each gain controlled amplifier of the microwave radiation generator. The function of the mode control matrix 14 is the control of the microwave amplifiers in the microwave amplifier bank 18. In the preferred embodiment thus will be 24 outputs and 24 microwave frequency oscillators.

Connected to each microwave amplifier gain control line is a mode simulation device 16 which receives weighted mode signals from the mode partition devices 14. Each mode simulation device consists of one through k lines and diodes 17 which are each connected to summing junction 19. The diodes 17 provide for isolation from one mode partition device to the next. The diodes 17 prevent signals from one mode partition device from returning to the other mode partition devices which are also connected to the same summing junction of the mode summation device 16. The diodes also serve a second function which is the rectification of the signals received from the acoustic filter bank by way of the mode partition devices. In this way each mode partition device output is rectified to produce a varying DC voltage with major frequency components of the order of 15 milliseconds or less. The voltage at the summation junction 19 is thus a slowly varying DC voltage.

The example mode partition devices are shown in greater detail in FIGS. 3, 4, and 5. The mode partition devices are merely resistance networks which produce 1 through N output voltages which are predetermined divisions of the input signal from the acoustic filter associated with the mode partition device. FIG. 3 shows a mode partitioning device wherein several outputs are associated with each series resistor 30. In the embodiment depicted in FIG. 4 there is an output associated with each series resistor only, and thus there are N series resistors, or the same number of series resistors as there are outputs. The values of the resistors in the mode partition resistor network are determined in ac-

cordance with the magnitudes of the frequency component from the acoustic filter bank 12 which is required at the summation point 19 or the gain control line for amplifiers 20.

The microwave amplifier bank 18 consists of a plurality of microwave oscillators 1 through N each of which is connected to an amplifier 20. Since the amplifiers 20 are gain controlled by the signals at summation junction 19, the magnitude of the microwave output is controlled by the mode control matrix outputs F1 through F<sub>n</sub>. In the preferred embodiment there are 24 amplifiers.

The leads from the microwave oscillators 1 through N to the amplifiers 20 are shielded to prevent cross talk from one oscillator to the next, and to prevent stray signals from reaching the user of the hearing device. The output impedance of amplifiers 20 should be 100 ohms and this is indicated by resistor 21. The outputs of amplifiers 20 are all connected to a summing junction 22. The summing junction 22 is connected to a summing impedance 23 which is approximately 50 ohms. The relatively high amplifier output impedance 21 as compared to the relatively low summing impedance 23 provides minimization of cross talk between the amplifiers. Since the amplitude of the microwave signal needed at the antenna 24 is relatively small, there is no need to match the antenna and summing junction impedances to the amplifier 20 output impedances. Efficiency of the amplifiers 20 is not critical.

Level control of the signal at antenna 24 is controlled by pick off 25 which is connected to the summing impedance 23. In this manner, the signal at antenna 24 can be varied from 0 (ground) to a value which is acceptable to the individual.

The antenna 24 is placed next to the subject's head and in the region of the subject's auditory cortex 26. By placement of the antenna 24 in the region of the auditory cortex 26, the microwave field which is generated simulates the microwave field which would be generated if the acoustic sounds were perceived with normal hearing and the auditory cortex was functioning normally.

In FIG. 2A there is shown a second embodiment of the microwave radiation and generator portion of the hearing device. In this embodiment a broad band microwave source 50 generates microwave signals which are fed to filters 52 through 58 which select from the broad band radiation particular frequencies to be transmitted to the person. As in FIG. 2, the amplifiers 20 receive signals on lines 19 from the mode control matrix. The signals on lines 19 provide the gain control for amplifiers 20.

In FIG. 6 there is shown a modified microwave hearing generator 60 which includes a mode partition resistor divider network as depicted in FIG. 5. Each of the mode partition voltage divider networks in this embodiment are individually adjustable for all of the resistances in the resistance network. FIG. 5 depicts a voltage division system wherein adjustment of the voltage partition resistors is provided for.

In FIG. 6, the sound source 62 generates audible sounds which are received by the microphone of the microwave hearing generator 60. In accordance with the operation described with respect to FIGS. 1 and 2, microwave signals are generated at the antenna 10 in accordance with the redistribution provided by the mode control matrix as set forth in FIG. 5.

The sound source 62 also produces a signal on line 64 which is received by a head phone 66. The apparatus

depicted in FIG. 6 is used to calibrate or fit a microwave hearing generator to a particular individual. Once the hearing generator is adjusted to the particular individual by adjustment of the variable resistors in the adjustable mode partition portion of the hearing generator, a second generator may be built using fixed value resistors in accordance with the adjusted values achieved in fitting the device to the particular subject. The sound produced by headphone 66 should be the same as a sound from the sound source 62 which is received by the microphone 10 in the microwave hearing generator 60. In this way, the subject can make comparisons between the perceived sound from the hearing generator 60, and the sound which is heard from headphone 66. Sound source 62 also produces a signal on 68 which is fed to cue light 69. Cue light 69 comes on whenever a sound is emitted from sound source 62 to the microwave generator 60. In this manner, if the subject hears nothing, he will still be informed that a sound has been emitted and hence that he is indeed perceiving no sound from the microwave hearing generator 60.

In FIG. 7 there is shown a modified microwave hearing generator which may be used to determine a subject's microwave mode frequencies. In this device, the acoustic filter bank and the mode control matrix have been removed and replaced by voltage level signal generated by potentiometers 70. Also included are a plurality of variable frequency oscillators 72 which feed microwave amplifiers 74 which are gain controlled from the signal generated by potentiometers 70 and pick off arm 76.

This modified microwave hearing generator is used to provide signals using one oscillator at a time. When an oscillator is turned on, the frequency is varied until the estimated value until a maximum acoustic perception by the subject is perceived. This perception however may consist of a buzzing or hissing sound rather than a tone because only one microwave frequency is being received. The first test of perception is to determine the subject's lowest modal frequency for audition ( $M=1$ ). Once this modal frequency is obtained, the process is repeated for several higher modal frequencies and continued until no maximum acoustic perception occurs.

Another method of determination of a subject's modal frequencies is through anatomical estimation. This procedure is by measurement of the subject's cephalic index and the lateral dimensions of the skull. In this method, the shape is determined in prolate spheroidal coordinate.

Purely anatomical estimation of subject's modal frequencies is performed by first measuring the maximum lateral dimension (breadth) L FIG. 8, of the subject's head together with the maximum dimension D (anterior to posterior) in the medial plane of the subject's head. D is the distance along Z axis as shown in FIG. 10. The ratio L/D, called in anthropology the cephalic index, is monotonically related to the boundary value  $\xi_0$  defining the ellipsoidal surface approximating the interface between the brain and the skull in the prolate spheroidal coordinate system.  $\xi_0$  defines the shape of this interface.  $\xi_0$  and D together give an estimate of a, the semi-focal distance of the defining ellipsoid. Using  $\xi_0$  and a, together with known values of the conductivity and dielectric constants of brain tissue, those wavelengths are found for which the radial component of the electric field satisfies the boundary condition that it is zero at  $\xi_0$ .

These wavelengths are the wavelengths associated with the standing waves or modes, the corresponding frequencies are found by dividing the phase velocity of microwaves in brain tissue by each of the wavelengths.

A subject's microwave modal frequencies may also be determined by observing the effect of external microwave radiation upon the EEG. The frequency of the  $M=1$  mode may then be used as a base point to estimate all other modal frequencies.

A typical example of such an estimation is where the subject is laterally irradiated with a monochromatic microwave field simultaneous with EEG measurement and the microwave frequency altered until a significant change occurs in the EEG, the lowest such frequency causing a significant EEG change is found. This is identified as the frequency of the  $M=1$  mode, the lowest mode of importance in auditory perception. The purely anatomical estimation procedure (FIGS. 8, 9, 10) is then performed and the ratio of each modal frequency to the  $M=1$  modal frequency obtained. These ratios together with the experimentally-determined  $M=1$  frequency are then used to estimate the frequencies of the mode numbers higher than 1. The prolate spheroidal coordinate system is shown in FIG. 9. Along the lateral plane containing the  $x$  and  $y$  coordinates of FIG. 9, the prolate spheroidal coordinate variable  $\phi$  (angle) lies FIGS. 9 and 10. Plots of the transverse electric field amplitude versus primary mode number  $m$  are shown in FIG. 11. The equation is

$$E_{transverse}(m, \phi) = E_0 \sin(m \phi)$$

The "elevation view" FIG. 12, of the brain from the left side, shows the primary auditory cortex 10. The iso-tone lines and the high frequency region are toward the top of 100 and the low frequency region toward the bottom of 100.

The formula 1, set forth below is the formula for combining modes from an iso-tone line at  $\phi = \phi_j$  being excited to obtain the total modal field at some other angular location  $\phi$ . For this formula, if we let  $J=1$  (just one iso-tone single frequency acoustic stimulus line), then it can be shown that ALL modes (in general) must be used for any ONE tone.

#### FORMULA I RMS TRANSVERSE ELECTRIC FIELD IN ANGULAR PLANE, $f(\phi)$

$$f(\phi) = \left[ \sum_{m=1}^M \left( \sin(m\phi) \cdot \sum_{j=1}^J e^{-(\phi-\phi_j)/\Delta\phi} \sin(m\phi_j) \right)^2 \right]^{1/2}$$

$\phi$  = ANGLE ( $0^\circ$  LATERAL)

$\phi_j$  = LOCATION OF  $J$ -TH SOURCE (TOTAL NUMBER  $J$ )

$\Delta\phi$  = ATTENUATION LENGTH (IN ANGLE) OF  $M$ -TH MODE

$M$  = PRIMARY MODE NUMBER (HIGHEST MODE  $M$ )

FIG. 13 shows the resulting total modal field versus angle  $\phi$  for source location  $\phi$  at  $5.25^\circ$ ,  $12.5^\circ$ , etc. With reference to the set of curves at the left top of this figure. A spacing of approximately  $7.25^\circ$  in  $\phi$  corresponds to a tonal difference of about 1 octave. This conclusion is based on the side-lobes of pattern coming from  $\phi = 5.25^\circ$ , etc. The total field (value on  $y$ -axis) falls considerably below the top curves for source locations well below  $5.25^\circ$  (toward the high acoustic stimulus end) and

also as the source of frequency goes well above  $M$  (low frequency end).  $\phi$  is plotted positive downward from 0 at lateral location as indicates in FIG. 11.

Resistor weightings are obtained from the term  $(m[\phi - \phi_j])$ . Formula 1. The scale between acoustic frequency and  $\phi$  must be set or estimated from experiment. Approximately  $5.25 \pm 1^\circ$  corresponds to a tonal stimulus at about 2 kHz (the most sensitive region of the ear) since this source location gives the highest electric field amplitude.

The apparatus of FIG. 7 may also be used to determine values for a hearing device which are required for a particular subject. Once the modal frequencies have been estimated, the device of FIG. 7 which includes variable microwave oscillators may be used to determine values for the oscillators which match the subject, and to determine resistance values associated with the mode partition devices of the mode control matrix.

In FIG. 7 manual control of the amplifier gain is achieved by potentiometers 76. In this manner the amplifier gains are varied about the estimated settings for an acoustic tone stimulus in the region of two thousand Hertz (2 kHz) until maximum acoustic perception and a purest tone are achieved together. The term purest tone may also be described as the most pleasing acoustic perception by the subject. This process may be repeated at selected frequencies above and below 2 kHz. The selected frequencies correspond to regions of other acoustic filter center frequencies of the subject. When modal frequency (oscillator frequency) and gain set values (setting a potentiometer 76) are noted, it is then possible to calculate fixed oscillator frequencies and control resistor values for the adjusted hearing device for this particular subject.

In the event the subject has no prior acoustic experience, that is deaf from birth, estimated resistor values must be used. Also, a complex acoustic stimulation test including language articulation and pairs of harmonically related tones may be developed to maximize the match of the hearing device parameters for those of this particular subject.

Typical components for use in this invention include commercially available high fidelity microphones which have a range of 50 Hz to 15 kHz with plus or minus 3 dB variation.

The audio filters to be used with the acoustic filter bank 12 are constructed in a conventional manner, and have  $Q$  values of about 6. The filters may also be designed with 3 dB down points ( $\frac{1}{2}$  the bandwidth away from the center frequency) occurring at adjacent center frequency locations.

The diodes 17 in the mode control matrix which provide isolation between the mode partition circuits are commercially available diodes in the audio range.

The microwave oscillators 1 through  $N$  and the microwave amplifiers 20 are constructed with available microwave transistors which can be configured either as oscillators or amplifiers. Examples of the transistors are GaAsFET field effect transistors by Hewlett Packard known as the HFET series or silicone bipolar transistors by Hewlett Packard known as the HXTR series.

All the cable between the oscillators, the microwave amplifiers, and the antenna should be constructed with either single or double shielded coaxial cable.

The antenna 24 for directing microwave signals to the audio cortex 26 should be approximately the size of the auditory cortex. A typical size would be one and

one half CM high and one half to one CM wide. The antenna as shown is located over the left auditory cortex, but the right may also be used. Since the characteristic impedance of the brain tissue at these microwave frequencies is close to 50 ohms, efficient transmission by commercially available standard 50 ohm coax is possible.

The invention has been described in reference to the preferred embodiments. It is, however, to be understood that other advantages, features, and embodiments may be within the scope of this invention as defined in the appended claims.

What is claimed is:

1. A sound perception device for providing induced perception of sound into a mammalian brain comprising in combination:

means for generating microwave radiation which is representative of a sound to be perceived, said means for generating including means for generating a simultaneous plurality of microwave radiation frequencies and means for adjusting the amplitude of said microwave radiation frequencies in accordance with the sound to be perceived; and antenna means located in the region of the auditory cortex of said mammalian brain for transmitting said microwave energy into the auditory cortex region of said brain.

2. A hearing device for perception of sounds comprising in combination:

means for generating a signal representative of sounds;

means for analyzing said signal representative of said sounds having an output;

means for generating a plurality of microwave signals having different frequencies having an input connected to said output of said means for analyzing said signals, having an output;

means for applying said plurality of microwave signals to the head of a subject, and whereby the subject perceives sounds which are representative of said sounds.

3. The apparatus in accordance with claim 2 wherein said means for generating a signal is a microphone for detecting sound waves.

4. The apparatus in accordance with claim 2 wherein said means for applying said plurality of microwave signals is an antenna.

5. The apparatus in accordance with claim 4 wherein said antenna is placed in the region of the auditory cortex of the subject.

6. The apparatus in accordance with claim 2 wherein the subject is a human being.

7. The apparatus in accordance with claim 2 wherein said means for analyzing said signal comprises:

an acoustic filter bank for dividing said sounds into a plurality of component frequencies; and

a mode control matrix means for providing control signals which are weighted in accordance with said plurality of component frequencies, having an output connected to said means for generating a plurality of microwave signal inputs.

8. The apparatus in accordance with claim 7 wherein said acoustic filter bank includes a plurality of audio frequency filters.

9. The apparatus in accordance with claim 8 wherein said audio frequency filters provide a plurality of output frequencies having amplitudes which are a function of said signal representative of sounds.

10. The apparatus in accordance with claim 9 wherein said amplitudes are the weighted in accordance with transform function of the signal representative of sounds.

11. The apparatus in accordance with claim 7 wherein said mode control matrix device includes a voltage divider connected to each of said plurality of said audio frequency filters.

12. The apparatus in accordance with claim 11 wherein each of said voltage dividers has a plurality of outputs which are connected in circuit to said means for generating a plurality of microwave signals.

13. The apparatus in accordance with claim 2 wherein said means for generating a plurality of microwave signals comprises a plurality of microwave generators each having a different frequency and means for controlling the output amplitude of each of said generators.

14. The apparatus in accordance with claims 2 wherein said means for generating a plurality of microwave signals comprises a broad band microwave source and a plurality of filters.

15. The apparatus in accordance with claim 13 wherein said generators each comprise a microwave signal source and a gain controlled microwave amplifier.

16. The apparatus in accordance with claim 13 wherein said means for analyzing output is connected to said means for controlling microwave amplifier output amplitudes.

17. The apparatus in accordance with claim 13 wherein analyzing includes K audio frequency filters.

18. The apparatus in accordance with claim 17 wherein there are N microwave generators.

19. The apparatus in accordance with claim 18 including a mode partitioning means which provides N outputs for each of said K audio frequency filters.

20. The apparatus in accordance with claim 19 wherein said N amplifiers each have K inputs from said mode partitioning means.

21. The apparatus in accordance with claim 20 wherein said N amplifiers have K inputs less the mode partitioning means outputs which are so small that they may be omitted.

22. The apparatus in accordance with claim 20 wherein said mode partitioning output device outputs each include a diode connected to each microwave amplifier gain control to provide isolation between all outputs.

23. The apparatus in accordance with claim 20 wherein said K audio frequency filters are chosen to correspond to the critical bandwidths of the human ear.

24. The apparatus in accordance with claim 20 wherein said N microwave generators are each adjustable in frequency output.

25. The apparatus in accordance with claim 18 wherein the frequency of each N microwave generators is determined by anatomical estimation.

26. The apparatus in accordance with claim 18 wherein the frequency of the lowest frequency microwave generator is chosen by determination of the effect of external microwave generation on the EEG of the subject.

27. The apparatus in accordance with claim 18 wherein the frequency of each of said N microwave generators corresponds to the subject's microwave modal frequencies.



28. The apparatus in accordance with claim 27 wherein the subject's modal frequencies are determined by measurement of the subject's cephalic index and the lateral dimensions of the skull.

29. The apparatus in accordance with claim 28 wherein the subject's lowest modal frequency is deter-

mined by varying the frequency of the lowest frequency microwave generator about the estimated value until a maximum acoustic perception is obtained by the subject.

• • • • •

10

15

20

25

30

35

40

45

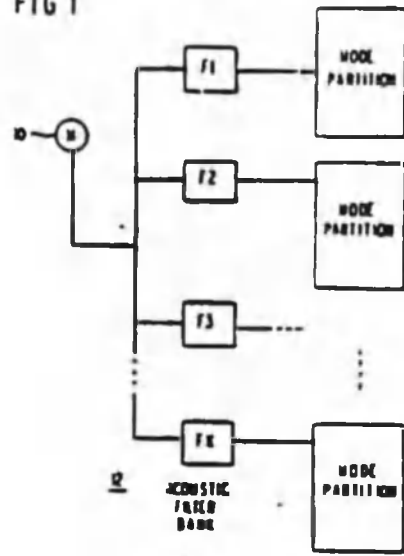
50

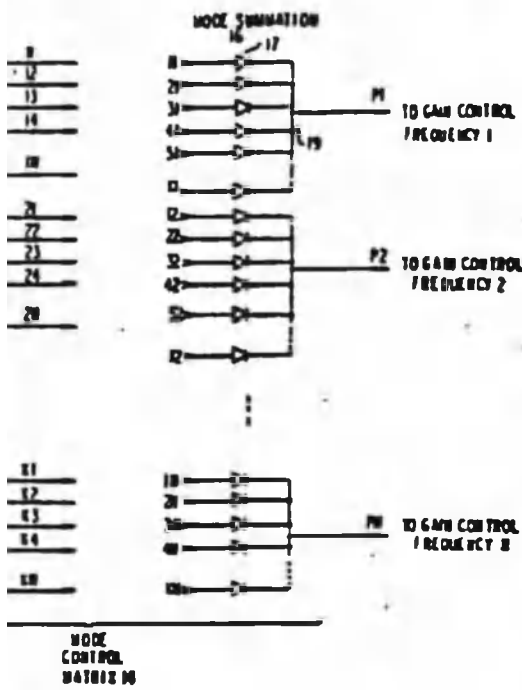
55

60

65

FIG 1





MODE  
CONTROL  
MATRIX 10

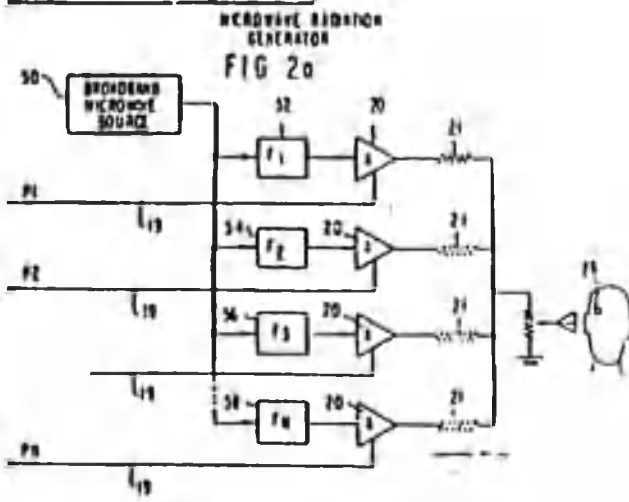
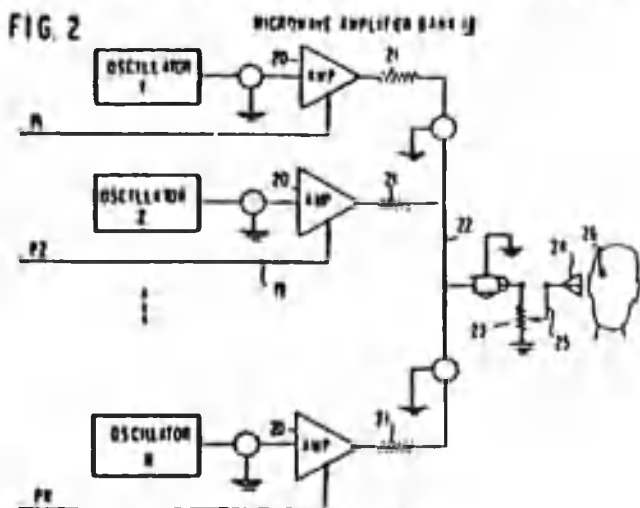
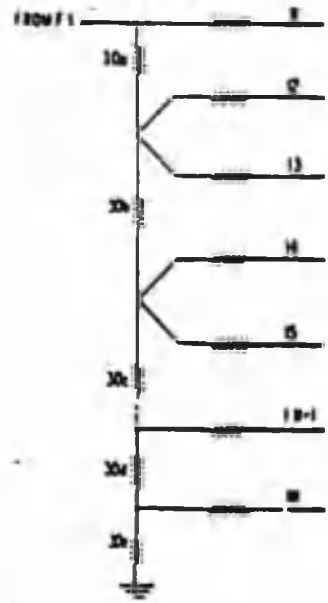




FIG 3



2 1 9 8 4

U.S. Patent

Aug. 27, 1989

Sheet 3 of 7

4,858,612

FIG. 5



FIG. 4



4  
B  
C

FIG 6

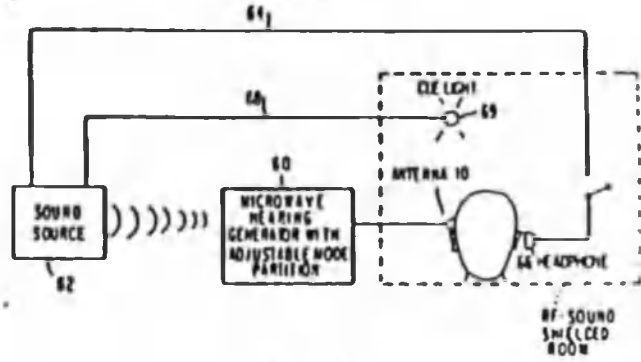


FIG 7

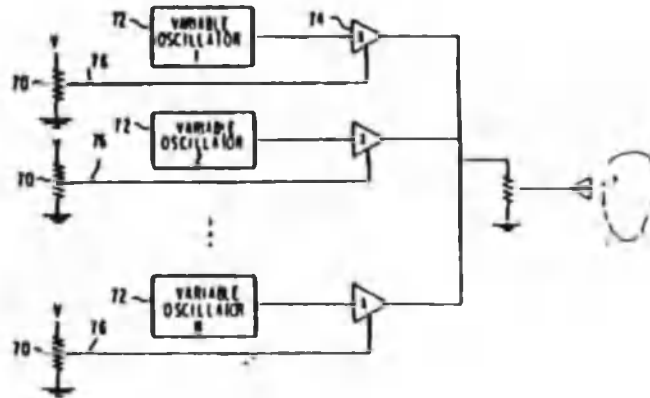




FIG. 8

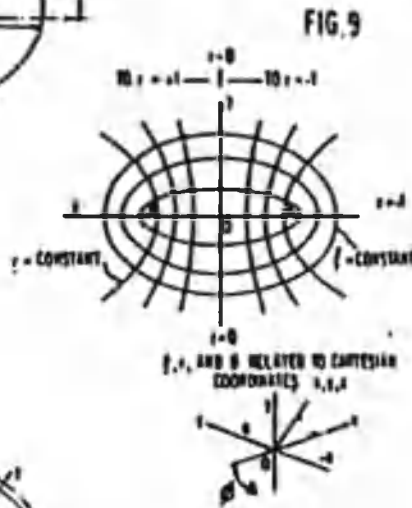


FIG. 9



FIG. 10

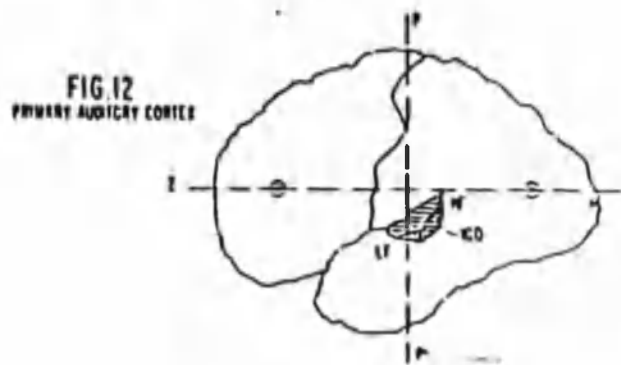
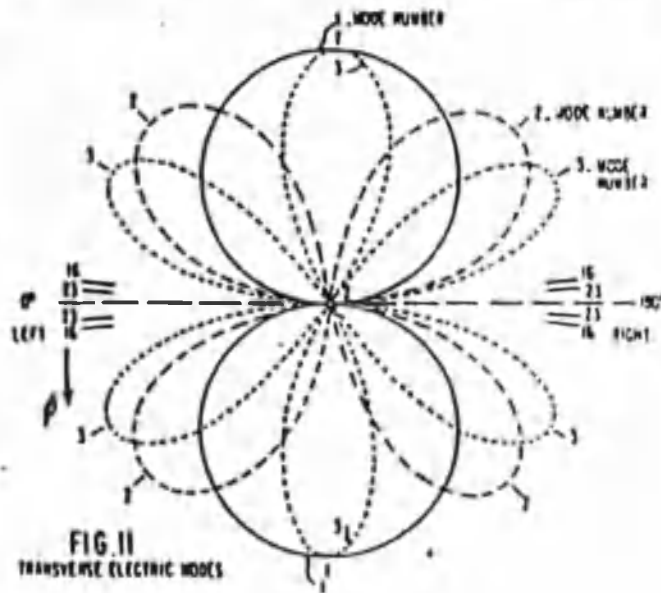
SECTION A-A

TRANSFORMATION EQUATIONS

$$\begin{cases}
 x = r \cos \theta \cos \phi \\
 y = r \cos \theta \sin \phi \\
 z = r \sin \theta
 \end{cases}
 \quad \left\{ \begin{array}{l}
 -1 \leq \theta \leq 1 \\
 -\pi \leq \phi \leq \pi \\
 0 \leq r \leq 20
 \end{array} \right.$$

10  
4  
8  
5  
8  
6  
9  
2





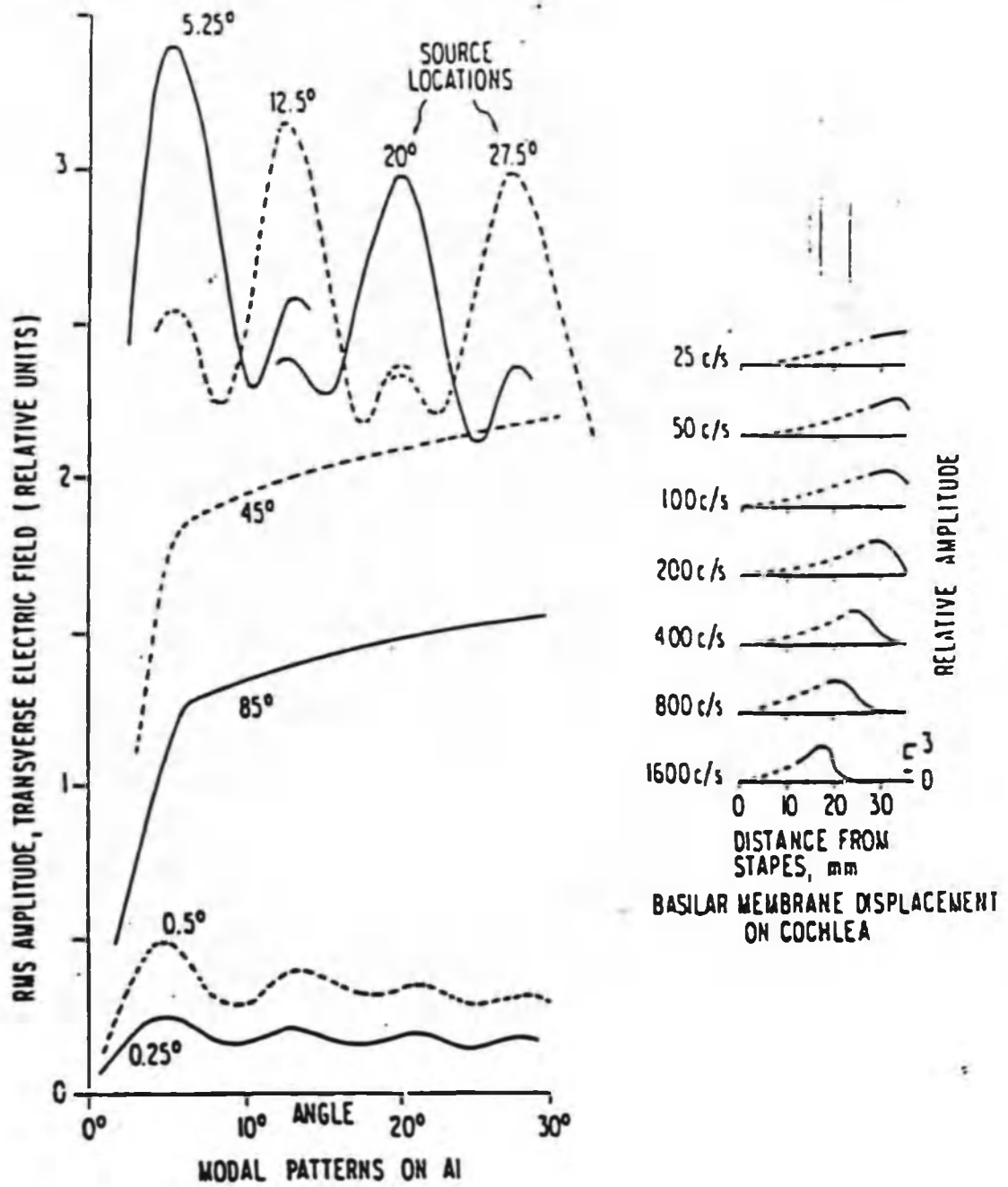


FIG.13



# APPENDIX E

## PART I

**COMPARISON OF SIMILAR AND DISSIMILAR  
ALIEN ABDUCTION & RA SURVIVOR ACCOUNTS BY CATEGORY  
TABLE 1**

<b>ELEMENTS (Inanimate)</b>	
<b>ALIEN ABDUCTION ACCOUNTS</b>	<b>RA SURVIVOR ACCOUNTS</b>
Examining Table	Altar Table
White sheet	White Sheet/Black Rug
Machines: X-Ray/Headgear/Wires/Body Fluid Collecting Devices (sperm/blood)	Machines: ECT/Polygraph/Shockers/ Headgear/Wires/Cattle Prods
Instruments: Surgical/Needles/Implant Instrument	Instruments: Knives/Daggers/Pins/Needles
Symbols: New Space Writing/Symbols	Symbols: Old Writing/Symbols/ Letters Numbers/Religious(upside down)
Emblems: Circles/Triangles	Emblems: Circles/Triangles/Pentagram/Stars
Tracking Devices	Tracking Devices
Clothes Worn: Skintight/Capes/Hoods (grey, white, black)	Clothes Worn: Loose Fitting/Capes/Hoods (black, white, brown)
Bright Light: Initiating Event	Bright Light: To Torture/To Intimidate
Restraints: Clamps	Restraints: Clamps/Chains/Ropes/Belts
Electrical Energy: Experiments to Heal/ To Transfer Information	Electrical Energy: To Torture/To Intimidate/To Eradicate Information
Eyes: Scary/Calming	Eyes: Scary/Demonic

**TABLE 2**

<b>Elements (animate)</b>	
<b>ALIEN ABDUCTION ACCOUNTS</b>	<b>RA SURVIVOR ACCOUNTS</b>
"Being in Charge" Others Subservient	High Priest/Priestess in Charge Others Subservient
Aliens/Extraterrestrials/Humanoids	Satanists/Cultists/Humans
Reptilian Creatures (Transformations)	Beasts/Reptilian Creatures/Cartoon Characters (Transformations)
"Men in Black"	"Men in Black"
"Shadows in Mind"	"Shadows in Mind"

**TABLE 3**

<b>Messages Given</b>	
<b>ALIEN ABDUCTION ACCOUNTS</b>	<b>RA SURVIVOR ACCOUNTS</b>
Told:	Told:
"You are Special"	"You are Special"
"We Will Return"	"We Will Return"
"Do Not Tell"	"Do Not Tell"
"Aliens Are in Charge"	"Satan is More Powerful Than God"
"To Breed"	Forced to:
	"Breed" - (Women Breeders in the Cult - Babies for the Group to raise.

**TABLE 4**

Psychological Sequelae	
ALIEN ABDUCTION ACCOUNTS	RA SURVIVOR ACCOUNTS
Amnestic for Experience: Memory Loss (enforced-use of light, instruments, etc.)	Amnestic for Experience: Memory Loss (enforced-brainwashing techniques, drugs)
Bonding: With Alien	Bonding: With Cult/Coerced
Drugged: Feel Euphoric/Anaesthetized	Drugged: LSD/Anectine/Curare/Atropine/Alcohol/Belladonna/Heroin/Cocaine/Roots & Herbs
Pain: Medical Procedures/Experimentation "Fee Like I was Being Torn Apart"	Pain: Important for Compliance "Feel Like They Tore My Heart Out"
Felt Trapped: "Nowhere to Run"	Felt Trapped: "Nowhere to Hide"
Paranormal Experiences: Esp/Out-of-Body/Astral Travel	Paranormal Experiences: ESP/Out-of-Body/Astral Travel
Emotions Experienced: Terror/Fear/Anxiety/A "Calming"	Emotions Experienced: Terror/Fear/Anxiety
Paranoia: "They are Coming Back"	Paranoia: "They are Coming Back"
Headaches	Headaches
Sleep Difficulties	Sleep Difficulties (Disrupted Sleep Cycles)
Visual Disturbances	Visual Disturbances
Sexual Disturbances	Sexual Disturbances
Nightmares	Nightmares
Depression	Depression
Humiliation	Humiliation
Obsessive Thoughts	Obsessive Thoughts
Threats: Seen as Caring	Threats: Seen as Abusive
PAS/PTSD	PTSD/MPD/Dissociation
Not Reported	Personality Layering
Self-Mutilation (few)	Self-Mutilation (many)
Suicidal: After Disclosure (feel they are victims)	Suicidal: After Disclosure (feel they are victims)
Deep Painless Wounds	Deep Painless Wounds (dissociates to avoid pain)
Fear of Hypnosis	Fear of Hypnosis
Not Reported	God Phobic, Survivor Guilt

**TABLE 5**

<b>Locations for Experience</b>	
<b>ALIEN ABDUCTION ACCOUNTS</b>	<b>RA SURVIVOR ACCOUNTS</b>
Inside a Circle: Spacecraft	Inside a Circle: Pentagram
Tunnels	Tunnels
Taken from a Car	Kidnapped: In Car/From Car
Taken from Bed	Kidnapped from Bed
Taken from Field/Forest	Taken to Field/Forest
Taken from Park	Kidnapped from park
Not Reported	Basements/Churches/Schools/Cemeteries

**TABLE 6**

<b>Personal History</b>	
<b>ALIEN ABDUCTION ACCOUNTS</b>	<b>RA SURVIVOR ACCOUNTS</b>
Age at First Abduction: 5-6 (average reported)	Age at First Initiation: 6 (average reported)
History of Incest Reported by Few	History of Incest reported by Most
History of Physical Abuse Reported by Few	History of Physical Abuse Reported by Most
History of Alcoholism Reported by Few	History of Alcoholism/Drug Abuse/Bulimia/Anorexia/Sexual Addiction
Transgenerational	Transgenerational
Friends Involved Sometimes (witnesses & abductees)	Friends Involved Sometimes (to recruit)

**TABLE 7**

<b>Timetable</b>	
<b>ALIEN ABDUCTION ACCOUNTS</b>	<b>RA SURVIVOR ACCOUNTS</b>
Random Abductions	Calendar for Rituals
Not Reported	Anniversary Dates (cause great amount of fear for survivor)
Abductions Occur Day or Night	Kidnapping of Survivor to Return to Coven Occur Day or Night
Long Range Study of Abductee	Long Range Exploitation of initiate
Abduction on Birthday Rare	Personal Birthday is Highest Satanic Holiday
Not Reported	Moon Cycles Followed

**TABLE 8**

<b>Wounds &amp; Scars Observed</b>	
<b>ALIEN ABDUCTION ACCOUNTS</b>	<b>RA SURVIVOR ACCOUNTS</b>
Physical Wounds: Scars/Bruises/Incisions/Burns/Radiation Burns	Physical Wounds: Scars/Bruises (in patterns)/Incisions/Burns/Whip Marks
Implants: Objects X-Rayed (in nose and other parts of body including head)	Implants: Few Cases/ (bones, objects in body including head)
Nosebleeds	Not Reported
Not Reported	Carved Symbols on Body
Not Reported	Missing Digits: L/Hand (little finger, ring finger at center knuckle) Toes/Fingers
Not Reported	Tattoos: Satanic/Coven Symbols
Not Reported	Vagina/Rectal Scars
Missing Uterus Observed by Alien Examination	Missing Uterus
Not Reported	Missing Nipples



**TABLE 9**

<b>Violations Against Free-Will</b>	
<b>ALIEN ABDUCTION ACCOUNTS</b>	<b>RA SURVIVOR ACCOUNTS</b>
Not Reported	Marriage to Satan or Cult Leader
Not Reported	Ritual Rape (male & female)
Forced Impregnation	Forced Impregnation
Removes Fetus "Missing Fetus Syndrome"	Caesarean Section/Child Taken Before Term
Collection of Sperm Samples	Collection of Orgasmic Secretions (used in rituals)
Not Reported	Forced to Kill
Forced to Memorize Names	Forced to Forget Names
Isolated from Other Humans/Observers	Isolated from Other Humans/Observers
Not Reported	Forced to drink Blood (animal & human)
Not Reported	Forced to Select Who is Killed (extremely traumatic)
None Reported	Pornography/Smuff Films/Prostitution/Drug Trafficking
Not Reported	Programmed to Perform Antisocial Acts (hits)
Shown Films of Destruction	Shown Films of Destruction
Not Reported	"Black Hole" (suspended head first into a dark deep pit) "Black Box"
Not Reported	Rebirth Ritual: Cow or Human Cavity Opened - Child Inserted Left Until End of Ritual (born again to Satan or whatever deity they pray to)
Abduction	Forced Kidnapping: Babies/Adults/Christians (for sale, indoctrination, ritual sacrifices (not necessarily death)
Not Reported	Necrophilia (sex with cadaver)
Not Reported	Cannibalism
Cattle Mutilations	Animal & Other Sacrifices
Nude on table	Nude on Altar

**TABLE 10**

<b>Philosophy &amp; Beliefs</b>	
<b>ALIEN ABDUCTION ACCOUNTS</b>	<b>RA SURVIVOR ACCOUNTS</b>
Religious Themes	Religious Philosophy Opposite of God (Satan or other Deity is ruler)
Uses Information from Humans to Help Humanoid Development	Uses Power Over Humans to Control & Preserve Belief System
Belief in Ultimate War/Nuclear Disaster	Belief in Ultimate War 3x666=1998/Armageddon
Preparation for Survival of Race	Preparation for Survival of Cultic Beliefs
Belief that Abductee is Protected by Having Memories Blocked	Belief that RA Survivor Will Die if Memories Are Retrieved
Belief that Aliens are Good: Trying to Help Humans	Belief that Satanists are evil: Trying to Destroy Humans (Referenced to Bad People)
Future Important: Survival	Future Important: 3x666=1998
Babies are Important	Babies are Important
Aliens are Superior "Beings"	Satanists/Cultists/Deities are Intelligent to Evade Detection
Not Reported	Prostitution Necessary to Bring Money to Group

**TABLE 11**

Patterns	
ALIEN ABDUCTION ACCOUNTS	RA SURVIVOR ACCOUNTS
Amnesia Usually Effective Until Abductees Adult Life (or childhood disclosure which has been rare)	Amnesia Usually Effective Until Survivors Adult Life (or childhood disclosure which has been rare up until 1980)
Retractions After disclosure	Retraction After Disclosure
Visit by "Men in Black"	Visits by "Men in Black"
Wheat Field Symbols	Not Reported
Systematic Way to Gain Compliance (Assurance/Calming)	Systematic Way to Gain Compliance (Torture/Fear) Group/Individual Controls
Aliens Give Little Information But Want Information Illness Cured by Aliens	Illnesses Cured by Witchcraft & Magic
References to: Force/Pressure/Presence/Power	References to: Force/Pressure/Presence/Power
Abductees Seem to Know Each Other	Survivors Seem to Know Each Other
Aliens Seem to Know Everything About Abductee & Abductee's Family (shows movies of family and abductees life)	Satanists/Perpetrator Seem to Know Everything About Survivor & Survivor's Family (shows movies of destruction and evil)
Abduction Accounts Seem Like Invisible Epidemic	Survivors Accounts Seem Like Invisible Epidemic
Difficult to Trace Evidence	Difficult to Trace Evidence
"Accommodation Syndrome": Secrecy Helplessness Entrapment Accommodation Delayed Disclosure Retraction	"Accommodation Syndrome": Secrecy Helplessness Entrapment Accommodation Delayed disclosure Retraction

# APPENDIX E

## PART I

**COMPARISON OF SIMILAR AND DISSIMILAR  
ALIEN ABDUCTION & RA SURVIVOR ACCOUNTS BY CATEGORY  
TABLE 1**

<b>ELEMENTS (Inanimate)</b>	
<b>ALIEN ABDUCTION ACCOUNTS</b>	<b>RA SURVIVOR ACCOUNTS</b>
Examining Table	Altar Table
White sheet	White Sheet/Black Rug
Machines: X-Ray/Headgear/Wires/Body Fluid Collecting Devices (sperm/blood)	Machines: ECT/Polygraph/Shockers/Headgear/Wires/Cattle Prods
Instruments: Surgical/Needles/Implant Instrument	Instruments: Knives/Daggers/Pins/Needles
Symbols: New Space Writing/Symbols	Symbols: Old Writing/Symbols/ Letters Numbers/Religious(upside down)
Emblems: Circles/Triangles	Emblems: Circles/Triangles/Pentagram/Stars
Tracking Devices	Tracking Devices
Clothes Worn: Skintight/Capes/Hoods (grey, white, black)	Clothes Worn: Loose Fitting/Capes/Hoods (black, white, brown)
Bright Light: Initiating Event	Bright Light: To Torture/To Intimidate
Restraints: Clamps	Restraints: Clamps/Chains/Ropes/Belts
Electrical Energy: Experiments to Heal/ To Transfer Information	Electrical Energy: To Torture/To Intimidate/To Eradicate Information
Eyes: Scary/Calming	Eyes: Scary/Demonic

**TABLE 2**

<b>Elements (animate)</b>	
<b>ALIEN ABDUCTION ACCOUNTS</b>	<b>RA SURVIVOR ACCOUNTS</b>
"Being in Charge" Others Subservient	High Priest/Priestess in Charge Others Subservient
Aliens/Extraterrestrials/Humanoids	Satanists/Cultists/Humans
Reptilian Creatures (Transformations)	Beasts/Reptilian Creatures/Cartoon Characters (Transformations)
"Men in Black"	"Men in Black"
"Shadows in Mind"	"Shadows in Mind"

**TABLE 3**

<b>Messages Given</b>	
<b>ALIEN ABDUCTION ACCOUNTS</b>	<b>RA SURVIVOR ACCOUNTS</b>
Told:	Told:
"You are Special"	"You are Special"
"We Will Return"	"We Will Return"
"Do Not Tell"	"Do Not Tell"
"Aliens Are in Charge"	"Satan is More Powerful Than God"
"To Breed"	Forced to:
	"Breed" - (Women Breeders in the Cult - Babies for the Group to raise.

**TABLE 4**

<b>Psychological Sequelae</b>	
<b>ALIEN ABDUCTION ACCOUNTS</b>	<b>RA SURVIVOR ACCOUNTS</b>
Amnestic for Experience: Memory Loss (enforced-use of light, instruments, etc.)	Amnestic for Experience: Memory Loss (enforced-brainwashing techniques, drugs)
Bonding: With Alien	Bonding: With Cult/Coerced
Drugged: Feel Euphoric/Anaesthetized	Drugged: LSD/Anectine/Curare/Atropine/Alcohol/Belladonna/Heroin/Cocaine/Roots & Herbs
Pain: Medical Procedures/Experimentation "Fee Like I was Being Torn Apart"	Pain: Important for Compliance "Feel Like They Tore My Heart Out"
Felt Trapped: "Nowhere to Run"	Felt Trapped: "Nowhere to Hide"
Paranormal Experiences: Esp/Out-of-Body/Astral Travel	Paranormal Experiences: ESP/Out-of-Body/Astral Travel
Emotions Experienced: Terror/Fear/Anxiety/A "Calming"	Emotions Experienced: Terror/Fear/Anxiety
Paranoia: "They are Coming Back"	Paranoia: "They are Coming Back"
Headaches	Headaches
Sleep Difficulties	Sleep Difficulties (Disrupted Sleep Cycles)
Visual Disturbances	Visual Disturbances
Sexual Disturbances	Sexual Disturbances
Nightmares	Nightmares
Depression	Depression
Humiliation	Humiliation
Obsessive Thoughts	Obsessive Thoughts
Threats: Seen as Caring	Threats: Seen as Abusive
PAS/PTSD	PTSD/MPD/Dissociation
Not Reported	Personality Layering
Self-Mutilation (few)	Self-Mutilation (many)
Suicidal: After Disclosure (feel they are victims)	Suicidal: After Disclosure (feel they are victims)
Deep Painless Wounds	Deep Painless Wounds (dissociates to avoid pain)
Fear of Hypnosis	Fear of Hypnosis
Not Reported	God Phobic, Survivor Guilt

**TABLE 5**

<b>Locations for Experience</b>	
<b>ALIEN ABDUCTION ACCOUNTS</b>	<b>RA SURVIVOR ACCOUNTS</b>
Inside a Circle: Spacecraft	Inside a Circle: Pentagon
Tunnels	Tunnels
Taken from a Car	Kidnapped: In Car/From Car
Taken from Bed	Kidnapped from Bed
Taken from Field/Forest	Taken to Field/Forest
Taken from Park	Kidnapped from park
Not Reported	Basements/Churches/Schools/Cemeteries

**TABLE 6**

<b>Personal History</b>	
<b>ALIEN ABDUCTION ACCOUNTS</b>	<b>RA SURVIVOR ACCOUNTS</b>
Age at First Abduction: 5-6 (average reported)	Age at First Initiation: 6 (average reported)
History of Incest Reported by Few	History of Incest reported by Most
History of Physical Abuse Reported by Few	History of Physical Abuse Reported by Most
History of Alcoholism Reported by Few	History of Alcoholism/Drug Abuse/Bulimia/Anorexia/Sexual Addiction
Transgenerational	Transgenerational
Friends Involved Sometimes (witnesses & abductees)	Friends Involved Sometimes (to recruit)

**TABLE 7**

<b>Timetable</b>	
<b>ALIEN ABDUCTION ACCOUNTS</b>	<b>RA SURVIVOR ACCOUNTS</b>
Random Abductions	Calendar for Rituals
Not Reported	Anniversary Dates (cause great amount of fear for survivor)
Abductions Occur Day or Night	Kidnapping of Survivor to Return to Coven Occur Day or Night
Long Range Study of Abductee	Long Range Exploitation of initiate
Abduction on Birthday Rare	Personal Birthday is Highest Satanic Holiday
Not Reported	Moon Cycles Followed

**TABLE 8**

<b>Wounds &amp; Scars Observed</b>	
<b>ALIEN ABDUCTION ACCOUNTS</b>	<b>RA SURVIVOR ACCOUNTS</b>
Physical Wounds: Scars/Bruises/Incisions/Burns/Radiation Burns	Physical Wounds: Scars/Bruises (in patterns)/Incisions/Burns/Whip Marks
Implants: Objects X-Rayed (in nose and other parts of body including head)	Implants: Few Cases/ (bones, objects in body including head)
Nosebleeds	Not Reported
Not Reported	Carved Symbols on Body
Not Reported	Missing Digits: L/Hand (little finger, ring finger at center knuckle) Toes/Fingers
Not Reported	Tattoos: Satanic/Coven Symbols
Not Reported	Vagina/Rectal Scars
Missing Uterus Observed by Alien Examination	Missing Uterus
Not Reported	Missing Nipples



**TABLE 9**

<b>Violations Against Free-Will</b>	
<b>ALIEN ABDUCTION ACCOUNTS</b>	<b>RA SURVIVOR ACCOUNTS</b>
Not Reported	Marriage to Satan or Cult Leader
Not Reported	Ritual Rape (male & female)
Forced Impregnation	Forced Impregnation
Removes Fetus "Missing Fetus Syndrome"	Caesarean Section/Child Taken Before Term
Collection of Sperm Samples	Collection of Orgasmic Secretions (used in rituals)
Not Reported	Forced to Kill
Forced to Memorize Names	Forced to Forget Names
Isolated from Other Humans/Observers	Isolated from Other Humans/Observers
Not Reported	Forced to drink Blood (animal & human)
Not Reported	Forced to Select Who is Killed (extremely traumatic)
None Reported	Pornography/Smuff Films/Prostitution/Drug Trafficking
Not Reported	Programmed to Perform Antisocial Acts (bits)
Shown Films of Destruction	Shown Films of Destruction
Not Reported	"Black Hole" (suspended head first into a dark deep pit) "Black Box"
Not Reported	Rebirth Ritual: Cow or Human Cavity Opened - Child inserted Left Until End of Ritual (born again to Satan or whatever deity they pray to)
Abduction	Forced Kidnapping: Babies/Adults/Christians (for sale, indoctrination, ritual sacrifices (not necessarily death)
Not Reported	Necrophilia (sex with cadaver)
Not Reported	Cannibalism
Cattle Mutilations	Animal & Other Sacrifices
Nude on table	Nude on Altar

**TABLE 10**

<b>Philosophy &amp; Beliefs</b>	
<b>ALIEN ABDUCTION ACCOUNTS</b>	<b>RA SURVIVOR ACCOUNTS</b>
Religious Themes	Religious Philosophy Opposite of God (Satan or other Deity is ruler)
Uses Information from Humans to Help Humanoid Development	Uses Power Over Humans to Control & Preserve Belief System
Belief in Ultimate War/Nuclear Disaster	Belief in Ultimate War 3x666=1998/Armageddon
Preparation for Survival of Race	Preparation for Survival of Cultic Beliefs
Belief that Abductee is Protected by Having Memories Blocked	Belief that RA Survivor Will Die if Memories Are Retrieved
Belief that Aliens are Good: Trying to Help Humans	Belief that Satanists are evil: Trying to Destroy Humans (Referenced to Bad People)
Future Important: Survival	Future Important: 3x666=1998
Babies are Important	Babies are Important
Aliens are Superior "Beings"	Satanists/Cultists/Deities are Intelligent to Evade Detection
Not Reported	Prostitution Necessary to Bring Money to Group

## TABLE 11

<b>Patterns</b>	
<b>ALIEN ABDUCTION ACCOUNTS</b>	<b>RA SURVIVOR ACCOUNTS</b>
Amnesia Usually Effective Until Abductees Adult Life (or childhood disclosure which has been rare)	Amnesia Usually Effective Until Survivors Adult Life (or childhood disclosure which has been rare up until 1980)
Retractions After disclosure	Retraction After Disclosure
Visit by "Men in Black"	Visits by "Men in Black"
Wheat Field Symbols	Not Reported
Systematic Way to Gain Compliance (Assurance/Calming)	Systematic Way to Gain Compliance (Torture/Fear) Group/Individual Controls
Aliens Give Little Information But Want Information Illness Cured by Aliens	Illnesses Cured by Witchcraft & Magic
References to: Force/Pressure/Presence/Power	References to: Force/Pressure/Presence/Power
Abductees Seem to Know Each Other	Survivors Seem to Know Each Other
Aliens Seem to Know Everything About Abductee & Abductee's Family (shows movies of family and abductees life)	Satanists/Perpetrator Seem to Know Everything About Survivor & Survivor's Family (shows movies of destruction and evil)
Abduction Accounts Seem Like Invisible Epidemic	Survivors Accounts Seem Like Invisible Epidemic
Difficult to Trace Evidence	Difficult to Trace Evidence
"Accommodation Syndrome": Secrecy Helplessness Entrapment Accommodation Delayed Disclosure Retraction	"Accommodation Syndrome:: Secrecy Helplessness Entrapment Accommodation Delayed disclosure Retraction

# APPENDIX E

## PART II

**HISTORY OF PSYCHIATRY & WORLD  
EVENTS INCLUDING MAFIA  
DEVELOPMENT IN THE UNITED STATES**

- Wilhelm Wundt, Germany, first Psychology

1883- Manic-depressive insanity & dementia  
praecox defined in *Textbook of Psychiatry* by Emil  
Kraepel

**HISTORY OF MPD, TRAUMA,  
DISSOCIATION; NEW CLINICAL  
SYNDROMES; GROUPS OPPOSING  
RECOVERED MEMORIES**

1785- Mesmer, F.A. *Report of Dr. Benjamin  
Franklin and other commissions charged by the  
King of France with the examination of animal  
magnetism, as now practiced at Paris.*

1817- Mitchell, S.L. *A double consciousness, or a  
duality of person in the same person.*

1836- Mary Reynolds case was first theoretical  
case showing relationship between MPD and  
dissociation (dissociation then described as sleep-  
walking, somnambulism, nightmares, automatic  
writing, etc.). Hypothesized in *The Philosophy of  
Sleep* by R. Macnoish. Found a primary state and a  
secondary state.

1880- Shatcliff & Jones (1962) reported MPD as a  
distinct state of consciousness. Anatomical  
speculation of Azam (1887) psychological  
proposals of Janet. (Associationists view -  
mind/body dualism )

1886- Barkworth, T. *Duplex Personality: An essay  
on the analogy between hypnotic phenomena and  
certain experiences of the normal consciousness;*  
*Proceedings of the Society for Psychical Research.*

**MIND CONTROL RESEARCH; MEDICAL  
ABUSES & EMERGENCE OF ALLEGED  
UFO SIGHTINGS, ALIEN ABDUCTION &  
RITUAL ABUSE PHENOMENA**

1739-40 John Wealey's Journal - first reports of  
emotional excitement leading to temporary  
collapse induced by a particular sort of preaching  
found when an individual had to make a choice  
between conflicting beliefs.

1885- Hysteria treated by:  
(1) surgical removal of ovary/Paris  
(2) surgical removal of  
clitoris/London  
(3) cauterization of  
clitoris/Heidelberg

1889 - (Jan 24) First learned of Mafia's existence in  
New Orleans  
Black Hand/Italians-Frankie Yale  
White Hand/Irish-Lovett  
Jewish Gangs

1890- Masturbation treated by means of  
circumcision-Jonathan Hutchinson, President Royal  
College of Surgeons.

1892- Anton Pavlovich Chekhov: "Twelve  
thousand people are swindled a year, the whole  
(mental) hospital business is founded, just as it was  
twenty years ago, on theft, scandal, slander,  
nepotism, crude charlatanism, and the hospital is  
immoral institution, exceedingly harmful to the  
health of the inmates."

1889- Pierre Janet focuses on dissociation of  
traumatic memories/Charcot focuses on generations  
attention on psychological effects of overwhelming  
experiences.

1890- Alternating personality or changes in  
personality viewed by William James as direct  
result of changes in memory. James was attracted  
by Janet's findings and his writings ultimately  
bolstered the associationist viewpoint.

1890- Alfred Binet *On Double Consciousness*  
(treatise on dissociation).

1890- Richet first to describe a "hidden observer".

1891- Hodgson, R. *A case of double  
consciousness; Proceedings of the Society for  
Psychical Research.*

1895- Freud & Bruer *Studies in Hysteria* (all  
women described had dissociative disorders and  
most were sexually abused). Freud felt the women  
were suffering as adults from child sexual abuse.  
He repudiated the seduction theory a few years  
after publication because it would be awkward for  
Freud to state publicly that his patients had been  
sexually abused as children, when many of the  
abusive fathers were in his social circle. Later he  
wrote "return to the repressed".

1895- Mason, R.O. *Hypnotism & Double  
Personality Journal of the American Medical  
Association.*

1896- Alfred Binet *Alterations in Personality* noted  
that experimental alters can be produced in high  
hypnotizable subjects noting that these transient  
alter personalities were incomplete analogues of full  
MPD-he viewed the doubling of consciousness as a  
common clinical mechanism underlying a variety of  
psychiatric disorders including somatization,  
conversion & dissociative disorders.

1896- Mason, R.O. *Duplex personality: its relation  
to hypnotism and lucidity. Journal of the American  
Medical Association.*

1896 - Wave of UFO Phenomenon

1897 - Wave of UFO Phenomenon

20th Century- Psychological & Biological become divergent paths in medicine/Janet focuses on integrative approach/Freud dominates on analytic approach.

1901- Mayer, E.E. *A case of localized amnesia*. Journal of the American Medical Association.

1904- Wilson, A. *A case of multiple personality disorder*. Proceedings of the Society for Psychological Research

1905- William James *Principles of Psychology* discussed plurality of selves, MPD.

1905- Sidis & Goodhart *Multiple Personality with dedication to William Sides*

1905- Morton Prince *The Dissociation of a Personality*

1906- Conflicting drives observed by Morton Prince to be a potent etiological factor in the development of the disorder. He noted that Miss Beauchamp had oppositional and frequently malevolent behavior exhibited by one "self" to the other.

1906- Wilson A. *A case of disjointed personality after influenza* Medical Press

1906- Gordon A. *A double ego*. American Journal of Medical Science.

1907- McDougals W. *The case of Sally Beauchamp*.

1908- Sidis, B. Psychopathological Researches: Studies in Mental Dissociation

1908- Goodhart, S.P. *Multiple personality and the subconscious* American Journal of Clinical Medicine

1910- MPD research begins to decline.

1910- Edward Titchner came to Cornell University (1892)-Started Structuralism (studied nature of mental experiences)- ignored dissociation - his theory flopped.

1912- Hart, B. *A case of double personality*. Journal of Mental Science.

1913-1917- Hyalop, J.H. Comments on Doris Fisher case of MPD.

1914- McWalter, J.C. *A case of double personality*. Medical Times.

1916- Stone, C.W. *Dual Personality* Ohio State Medical Journal

1919- Ladd, G.T. *A case of multiple personality* Yale Review

1904- Pavlov "Nobel Prize" for research in physiology of digestion later he would find conditioning methods and "experimental neurosis". These methods will be used by politicians, police and psychiatry to understand & control behavior. Through drugs in psychotherapy changes of behavior patterns and through historical indoctrination in religious conversion, brain-washing & the like. It is unlikely that Pavlov like most scientists in early discovery would be used as an instrument of Soviet policy, and instrument to indoctrinate, torture and help change the course of free will of mankind.

The most important information found in his studies that we need to examine today is that if an individual is traumatized all conditioned behavior patterns implanted can be abolished and other patterns of behavior can take their place. In the most civilized worlds, given natural traumas or war, civil unrest, rape, family violence, a person is most vulnerable to changes in patterns of behavior. These studies were done prior to the advent of television, subliminal seduction, microwave studies, etc. Simply stated, being flooded by traumas leaves a person vulnerable. If they enter therapy, join a religious cult, join a group, new religions, or begin a new wave of belief, they would be acting normally. If the change was programmed to deliberately change their behavior, then they have been indoctrinated by a means of mind control. In the 1990's this is rampant and out of control due to technology, research and the advent of telecommunications.

1919- John B. Watson-first Behaviorist-programmed his son "Little Albert" to be (phobic) fearful of white rats and furry animals-Little Albert committed suicide in his adult life.

1905- Masturbation in children treated by cautery to the spine & genitals- Bernard Sachs, prominent NY psychiatrist-*A Treatise on Nervous Diseases of Children*

1911- Eugene Bleuler coins term "schizophrenia".

1914- World War I begins

1918- Ernest Jones, pioneer British psychoanalyst, holds "true neurasthenia...will be found to depend on excessive optimism or involuntary seminal emissions."

1919- Underground of Mafia terrorizes controls -bling, sports, businesses, prostitution, agraphy etc.

1920- Women's Suffrage-19th Amendment to Constitution enacted.

1920- Prohibition begins

1928- (Aug 27) Pact of Paris - Outlaws War

1929- (Oct 29) Crash of NYSE beginning of Great Depression

1963- Peace will be determined as a precursor to economic disaster in The Iron Mountain Report .

1920- McDougall gave criticism to Morton Prince and speculated that his involvement with Miss Beauchamp which included long and intimate dealings and frequent use of hypnosis may have molded the course of the development of her disorder. (This claim will emerge again 70 years later in 1991 through the FMS society.)

1920- Conspicuous absence of any theoretical explanations and routine reporting of cases.

1920- William Brown suggested that emotional abreaction was often a far more efficient means of curing a war neurotic than simple suggestion under hypnosis. "Suggestion removes the symptoms, but abreaction removes the cause of the symptoms by producing fully adequate re-association." 66

1926- The "monad" hypothesis introduced by McDougall (1926) added significant support to the argument for the inherent multiplicity of the self. The role of conflict in weakening the individual's integrity allowed the "subordinate selves" to gain control.

1920- Behaviorists Domination for next 50 years - Goal is prediction & control of behavior both animals and human.

Their assumptions are:

1. All behavior is caused or determined.
2. The environment molds behavior.
3. Explanations of behavior based on internal causes and mental states are generally useless.

Believed that a stimulus that signals some other event can develop the ability to evoke strong conditioned responses.

1926- James Cameron, M.D. one of the most notorious Psychiatrists of all time began his career at John Hopkins Hospital in Baltimore, Maryland. He used illicit methods of behavior modification in research sponsored by project MKULTRA sponsored by the CIA - Dr. Cameron held the following titles over the period of time that he conducted experiments on humans:  
President of The American Psychiatric Assn.  
President of Canadian Psychiatric Assn.  
President of World Association of Psychiatrists  
Founder of Canadian Mental Health Association  
Chairman of Canadian Scientific Planning.

1931- Marceiti (Godfather in America) killed.

1931- Murder Incorporated (La Cosa Nostra) killers available to underworld.

1933- Adolph Hitler becomes Chancellor of Germany.

1933- Insulin Shock Treatment introduced into psychiatry- U. Cerletti & L. Bini of Rome (large doses of insulin to lower amount of sugar in his blood, thus producing a state of mental confusion and excitement). When used on schizophrenics kept patient in coma for as long as half an hour. Sugar is then administered and he quickly wakes up.

1933- Charles (Lucky) Luciano (New Godfather) made more money than 10 largest corporations in America.

1933- Prohibition ends in America.

1933- Prefrontal Lobotomy introduced into psychiatry- Egas Moniz of Lisbon, Portugal.

1933- Louis Thomas McFadden, Pennsylvania Congressman in a speech to the House of Representatives: "Mr. Speaker, there is no real persecution of Jews in Germany...but there has been a pretended persecution of them..."

1933- Electric Shock Treatment introduced into psychiatry- U. Cerletti & L. Bini of Rome, Italy.

1935- Hitler's conversion of German masses to the Nazi faith was helped by meetings where rhythmic chanting, torchlight processions and arousals to states of hysteria suggestibility even before he rose to speak, so the Flagellants, who anticipated his anti-Semitic fury. In Mainz alone, twelve thousand Jews were killed or committed suicide; the arrival of a procession of Flagellants would often be the signal for a massacre.

1936- Social Security goes into effect - people were promised the SS# would be used for nothing other than SS Identification.

1936 - Bugsy Siegel goes to California - extortion rackets controlled screen actors guild/Luciano convicted on prostitution charges.

1939- World War II began.  
First Gas Chambers built in mental hospitals/Germany- National Socialist "euthanasia program" begins on Hitler's orders.

1930 - For the next 40 years as many as 70,000 prefrontal lobotomies were performed in the United States & Britain. Walter Freeman, M.D. performed 3,500 alone. (Information predates Egas Moniz introduction in Lisbon, but record found in Government records.) Prefrontal lobotomies were performed during this period on hyperactive boys and attempt to keep police files on them was introduced.

1931- Arthur Koestler's *Invisible Writings* "On all three occasions I had benefited from the well-known phenomenon of a split consciousness, a dreamlike, ~~dated~~ self-estrangement, which separated the conscious self from the acting self- the former becoming a detached observer, the later an automation, while the air hums in one's ears as in the hollow of a seashell..." 104s His accounts of two conversions into Communism were related to quasi-mystical experiences after stress include a severe alcoholic hangover, a broken-down car, heavy financial loss, a disagreeable sexual entanglement, civil war, capture, threats of sudden death by shooting, and the revival of a childhood panic.

1934- Two years before Pavlov's death he stated "...clinicians, neurologists and psychiatrists, in their respective domains, will inevitably have to reckon with the following fundamental patho-physiological fact: the complete isolation of functionally pathological (at the aetiological moment) points of the cortex, the pathological inertness of the excitatory process, and the ultra-paradoxical phase. (45) What he is saying is that it is necessary to find out what and when the trauma occurred.

1935- Tranquilizer Chair-individual strapped down and spun until they passed out was being used in medical experiments.

1935- *Psychogenic Loss of Personal Identity* commented on by Ables and Schilder based on study of 63 patients with amnesia at Bellevue Hospital. He concluded that amnesia was a self-punishment or suicidal wish and a flight from a disappointing love object. This view contributed to a popularized idea in the late 1930's and early 1940's that MPD symbolized an attempted escape from an unresolved conflict.

1935- Pierre Janet founded cognitive psychology.



1940- Black jazz & singers controlled by Mafia

1940- Mafia leaders are not able to be convicted for murder and extortion, etc., but were convicted on income tax evasion. (History of difficulty of gathering evidence when powerful underground corruption involved. Pattern continues today in the 90's.

1941- George H. Stevenson, President of American Psychiatric Association, declares that "This challenge (to prevent the occurrence of wars) comes to us because of the close relationship between the etiological factors as seen in the individual psychoses and the internal psychosis-war."

1941- (Dec 7) Pearl Harbor attacked

1941- (Dec 8) US declares war on Japan

1941- (Dec 11) US declares war on Germany & Italy

1941- (Dec 11) Germany & Italy declare war on US

1941- The gassing of mental patients in Germany stops and the systematic gassing of Jews in the East starts.

1941- Mafia stole ration stamps - \$1.0 million in one deal alone (this behavior continues to this day with underground activities of selling ration stamps.

1942- (Jun 5) US declares war on Bulgaria, Hungary & Romania

1942- Mafia sabotages Normandy-FBI investigated 760 leads - no sign of sabotage - nobody talked...Luciano convinced US Naval Intelligence needs Mafia in war as a result of 121 Merchant ships lost. Navy got a wall of silence when tried to get information. Mob big in sabotage, espionage, terrorism. The Military Operations Underworld & Mafia married. Mussolini cracked down on Mafia so America Mafia disliked Mussolini. Commander Hoffenden in charge of Operation Underworld. May 12, 1942 Luciano transferred to a better prison because of his help with the war then the people were willing to talk on the docks after a long silence. People had code names.

1942- Growing Spy Mania in America

1943- Initiated black market sold American Military Supplies

1943- (Oct 13) Italy declares war on Germany Mussolini regime collapses called Operation Husky.

**NEW PATRIOTIC ATMOSPHERE  
OF THE COUNTRY**

1940- Freud found that affectless memories, memories without any release of emotion, were almost useless; meaning that unless a doctor could get his patients to relive the emotions originally associated with a repressed experience that had caused a neurosis, the mere fact of his remembering the experience would not constitute a cure. Sadler defined "abreaction" as a "process of reviving the memory of a repressed unpleasant experience and expressing in speech and action the emotions related to it, thereby relieving the personality of its influence.

1941- Kardiner attempted to integrate the psychoanalytic tenet that most psychopathology is the result of a childhood intrapsychic conflict between unintegrated understanding of the emotional, cognitive and biological effects of human traumatization.

1940- Drugs used to make patient relive episode of war and then he would have subsequent collapse. Individuals were given "front-line sedation" using same general rule applied to human subjects who had temporarily broken down under battle and bombing stress.

1941- Pavlov's "Experimental Neurosis" published in English after his death. Techniques of human indoctrination, religious conversion, brainwashing were pursued through use of drugs in psychotherapy based on his experiments.

1941- Pavlov's Conditioned Reflexes in Psychiatry helped to understand behavior patterns observed by human beings breaking down under abnormal stress.

1944- First experiment in "falsely implanted memory". Found that falsely implanted memory might create a larger emotional discharge than the real, and induce the physiological effects needed for psychological relief. A technique deliberately stimulating anger or fear under drugs until the patient collapses in temporary emotional exhaustion was finally perfected with the help of Pavlov's findings. Used imaginary experiences to help abreact the emotions of fear and anger "suggested" under drugs.

1944- Alcohol was found by business, journalism and intelligence service, as a means to force indiscreet admissions from people who find it difficult to keep a secret. "Catharsis" was found to be an abreaction by drinking alcohol and wild rhythmic dancing as a cleansing (the ancient rights of Dionysus).

13- Philadelphia Experiment - Camouflage development - Massive Flux Fields The Eldridge vanished - sailors developed wrenching sickness - transdimensional phenomenon - human beings being reduced to laboratory animals.

Log Book of Eldridge Missing - (Used Unified Field Theory ) Traveling Magnetic Canopy - Fog Eldridge Hides under this and vanishes.

1943- (July 26) Mussolini regime collapses - Operation Husky. Mafia helped Operation-Local men of respect helped Dons.

1943- (Oct 13) Italy declares war on Germany

1944-1956 Halcyon period (refers to period of peace and tranquility)

1945- Hiroshima (Atomic Bomb)  
End of World War II

1945- (Aug 9)-A Bomb dropped on Nagasaki, Japan

1945- Albert Deutsch undertakes "...a journalistic survey of state mental hospitals...and rivaled the horrors of the Nazi concentration camps."

1946- Brock Chisholm, Director of General Medical Services in the Canadian Army during World War II, and General Secretary of the United National World Health Organization. "With the or human sciences, psychiatry must now decide at is to be the immediate future of the human race. No one else can. And this is the prime responsibility of psychiatry."

1946- Day after Christmas Mafia opened Flamingo Hotel in Las Vegas believing that the desert was a place to control gambling and walk n the right side of the law. \$6.0 m \$5.0 m over budget - closed down after one month. Reopened in 1947.

1947- (June 20) Bugsy Siegel (Mafia Leader in California) assassinated in Beverly Hills, CA

1947- National Securities Act (CIA) Note that there is a 20 year delay due to secrecy of this act in what can be discussed.

1947- Taft Hartley Labor Bill Passes - over Truman's veto

1947- Al Capone (Scarface) died of Syphilis.

1948- The Nuremberg Code was implemented as a result of judgment in U.S. v. Karl Brandt, Trials of War Criminals Before the Nuremberg Military Tribunals. Experimentation on humans should have ended.

1945- Great Britain and USA interested in neuro-physiological research cultivated by Russians since Revolution - to perfect brain-washing & thought control." Found that towards the end of a long period of physical illness, or after a period of severe debilitation (forced fasting), people of "strong character" were known to make dramatic changes in beliefs and convictions. If they may remain true to the new orientation for the rest of their lives. Case histories of people "converted" in times of famine, war, prison, or destitution by their own self-will are frequent. Pavlov's experiments showed that man can be conditioned to hate what he previously loved and love what he previously hated. Military men in "black boxes" once they found the vulnerable point of the servicemen. e.g. fear of snakes then placed in with snake for 64 hours. Learned they would rather die than talk to the enemy under those conditions. *Children and adults emerging in early 80's began to define torture in these boxes and cages.* Found the mechanics of religious and political conversion in human beings suggesting that for conversion to be effective, the subject may first have to have his emotions worked upon until he reaches an abnormal condition of anger, fear or exaltation. Found physiological explanation in terms of local cerebral inhibition caused by fear, stress or shock.

1945- Experiments found that massive excitement aroused under ether, ending a state of transmarginal collapse, could disrupt the whole vicious self-sustaining pattern of behavior and induce a rapid return to more normal mental health.

1946- UFO phenomenon started to be seen in Sweden

1947- Great Britain intensive research on drugs for psychotherapy-Nitrous oxide, methedrine, etc.

1947- (July 4) Roswell NM UFO crash

1947- UFO phenomenon begins to be Formulated Letter from Lt. Gen. N.F. Twining, USAAF, Air Martial Command, Wright Field, Dayton Ohio to Brig. General George Schulgen, Washington "AMC opinion on Flying Discs" "objects reported are real and not imaginary."

1949-Office of Scientific Intelligence (OSI) undertook analysis of foreign work on certain unconventional warfare techniques, including behavioral drugs, with an initial objective of developing a capability to resist or offset the effect of such drugs.

1947- Conflict-oriented theories and associationist view reported to be interrelated by Gardner Murphy. He asserted that associations are not functionally bound by memory alone, but also and more importantly, by tension systems. This led him to believe that conflict of values is the clue to the unity or disunity of the person. Predisposing factors towards dissociation were reported by Murphy to be a conflict between severely morbid superego, exaggerating the normally existing superego-id conflicts. The super-ego was believed by him to effect a regression back to a period of early childhood, prior to the establishment of an identity.

1950- Korean War (Referred to at the time as a Police Action).

1950- Between 1950 and 1974 when the United States Federal Government (CIA) sponsored research on medical torture of victims through Behavior Modification, United States Government consulted with, hired and worked closely with top Psychiatrists in America who were contributors to methods of extracting and methods of eradicating memories from individual's brains. These were done on subjects who were not aware that they were being medically tortured or manipulated for the purpose of mind control. A great number of Universities participated in these studies. Some have made public apologies.

One of these organizations was the *Society for the Study of Human Ecology*. Others were panels and groups with the military. Hospitals and Universities in the United States that participated in this research can be found in the books referenced under Mind Control. Survivors that began to emerge into the mental health system in late 1970 described in detail the abuses used for medical research. These victims are part of a programmed group of slaves being used in the underground for pornography, drug trafficking, prostitution, and assassinations.

1951- (Oct 9) WWII formally concluded by US & Germany

1952- Puerto Rico 1st Independent Commonwealth

1952- 1st H Bomb Eniwetok, Atoll

1952- Tranquilizing drugs introduced into psychiatric practice; new chemical method for controlling patients in mental hospitals. Belief that the use of these pharmacologic agents lends support to the belief that psychiatric disorders are medical diseases, curable by specific drugs.

1950- Cameron begins medical torture treatment Canada .

1950- A medical directive issued in Russia for reorientation of all Soviet medicine along Pavlovian lines-impressive results obtained by applying Pavlov's research, to political ends.

1950- Morse Allen Agent believed electrosleep machine used to put subjects to sleep without shock convulsions. The machine was being used in a hospital in Richmond, Virginia (*Miami News Brain Washing Tactics*.)

1950- CIA begins attack on mind control (German mind-control research), project to induce amnesia - "intensive polygraph", "sodium amytal", LSD, "picrotoxin", etc. project BLUEBIRD.

1951- (August) Project BLUEBIRD renamed Project ARTICHOKE transferred to OSI continued until 1956.

1951- (April 4) Royal Victoria Hospital-under direction of Dr. Cameron begins experimentation on Candy. Describes headgear, sleep room, drugs, etc. These descriptions will later appear in a population of patients known as RA Survivors and Abductees.

1952- CIA Letter on National Security Implications of UFOs (7 letters to and from CIA regarding UFOs)

1952- Office of Scientific Intelligence has private doctor develop "neurosurgical techniques". BLUEBIRD was rechristened ARTICHOKE. TSS Technical Services Staff took it. ARTICHOKE "...the greater the amnesia produced, the more effective the results." Could "create a fantasy" using narcotherapy or hypnosis. For roughly an hour, the subject had no idea he was not speaking with his wife but the CIA operatives.."

These experiences will be reported by some RA Survivors and Abductees later.

3- Korean War ended.

1954- U.S. Secretary of Defense announces Special Committee to study how prisoners of war could be trained to resist brainwashing.

1955- Egas Moniz awarded Nobel Prize for Physiology for treatment of Schizophrenia by prefrontal lobotomy (ice picks were used).

1955- J. West, *An Evaluation of Sub-coma Insulin Therapy*, American Journal of Psychiatry

1955- (August) U.S. Secretary of Defense receives report from Special Committee studying brainwashing.

1956- H Bomb Bikini, Island.

1957- Modern Psychiatry is given a card of admission to aid in classifying those who should be held criminally responsible and those who should be treated as psychologically or emotionally disordered. The Durham Charter is a bill of rights for psychiatry.

1957- U.S. Court of Appeals for the District of Columbia declares that "If ... (the defendant) has a mental illness hospitalization would serve the dual purpose of giving him the treatment required for his illness and keeping him confined until it would be safe to release him."

\*- *Society for Investigation of Human Ecology* lived Cameron proposal. Cameron sent by APA to Nuremberg to evaluate Hess.

1953- Conference July 15th offered clues to kinds of operations under ARTICHOKE. Interrogation techniques, memory enhancement, and establishing defensive means for preventing interrogation of agency personnel.

1953- April 3 ARTICHOKE evolved to become project MKULTRA "...an umbrella project (CIA documents) for funding sensitive projects. Cryptonym MKDELTA covered policy and procedure for use of biochemical in clandestine operations..."

Experimentation on radiation, electroshock, psychology, psychiatry, sociology, anthropology, harassment substances. Safe Houses and prominent hospitals under Bureau of Drug Abuse control. Through Bureau of Narcotic and Dangerous Drugs (BNDD) federal institutions such as prisons, drugs could be administered to unsuspecting individuals

1953- Dr. Frank Olson & 7 men given LSD in glasses of Contreau. Five days later Olson dove through window of hotel and committed suicide. Seen by Psychiatrist Harold A. Abramson. Dr. Sidney Gottlieb Chief Medical Officer of CIA drug project. (Allen Dulles, CIA Director)

1954- Found that ordinary/normal persons have greater powers of adaptation and can be more easily indoctrinated than the abnormal into cults. For this reason some Cults in particular would weed out people with psychiatric history. *Interesting finding in that persons who are traumatized may be less influenced in a therapeutic setting, or political conversion.*

1954- Air Force Regulation No. 200-2 "UFO Reporting Protocols"

1954- Wilhelm Reich, M.D. records "...a full scale interplanetary battle...a battle which would have appeared incredible as well as incomprehensible to anyone who knew nothing about Ea problems or who adhered to the illusion that neither Ea nor Cosmic Energy existed."

1955- Time Magazine records that something of deep significance since 1951 carefully calculated applications of terror and Socialists revolution could be completed on a national scale within about three more years. Quote from Mao.

1955- Project Bluebook

<p>1957- Wilhelm Reich dies in prison. He was placed into prison the year before after the FDA tried on many occasions to shut down his operation of collecting "Orgone Energy". Dr. Cameron who was himself doing medical torture treatment initiated the investigation on Reich. Dr. Cameron was then the President of the American Psychiatric Association. Reich's experiments were of interest to the Government and may have threatened our national security.</p>		<p>1957- William Seargent <i>Battles of the Mind - Techniques of Religious Conversion</i> which concluded the truths have nothing to do with the rites of pagan religions or devil worshippers. Successful groups use fasting, chastening of the flesh by scourging &amp; physical discomfort, regulation of breathing, disclosure of awesome mysteries, drumming, dancing, singing, inducement of panic fear, weird or glorious lighting, incense, intoxicant drug, to modify normal brain function for religious purposes. (1839 Wesley - his great success was due to his finding that habits of thought and behavior were most easily implanted or eradicated by a tremendous assault on the emotions. Found that humans addressed to religious emotions rather than intelligence is extremely effective technique of conversion - also used in modern political warfare.</p>
<p>1958- (Jan 31) The first U.S. space satellite, "Explorer I" is launched by Army, Cape Canaveral, Fla.</p> <p>1958- Satellite "Vanguard I" is launched by U.S. Navy</p> <p>1958- "Explorer III" is launched by U.S. Army</p> <p>1958- "Nautilus" &amp; "Skate" 1959- U.S. Navy launches "Vanguard" weather satellite</p> <p>1958- Edward Hunter testifies before the House Committee on Un-American Activities on communist weapon of brainwashing. See Chapter 3</p> <p>1959- Jupiter Missile (with Able and Baker monkeys) launched.</p>		<p>1957- William Seargant reports the voodoo cult in Haiti shows with what ease suggestibility can be increased by subjecting the brain to severe physiological stress...alteration the loudness and rhythms of drums. Reports the best way to avoid possession, conversion and all similar conditions is to avoid getting emotionally involved. He makes reference to Gustaf Bolinder, the <i>Devil-man's Jungle</i> describing how West African boys are taken away from their parents to an encampment in the woods, where all their clothes are removed and they are subjected to conditions of severe physical hardship. The procedure is fear-provoking. They are given a medicine which they are told will kill them sooner or later if they ever reveal the secrets of the society or the details of the ceremonies they are about to undergo. Next comes the ritual bath. At dusk they are told to say goodbye to life as they lived it before- then the most frightening mask approaches them- bearded like an old man - horns and feathers a cloak, to the boys it looks like a real demon, they are not allowed to talk, they are laid side by side on the ground, each seized by the demon's assistant, and unconscious- with fright are lifted up between its jaws. They are rescued immediately and given extremely painful ritual tattooing. They feel convinced that the demon has made an end of them, and Poro has raised them to a new life. <i>Similar accounts will emerge in late 1970's under alleged Satanism indoctrination.</i></p> <p>1959- Orne Experiments on fooling the hypnotist could not be easily determined by experts.</p>

1- John F. Kennedy begins office as US  
ident

1961- U.S. Peace Corps begins to serve  
underdeveloped countries

1961- Iron Mountain Project

1961- Constitutional Rights of the Mentally III

1961- "Bay of Pigs" - CIA/Mafia connections.

1962- President Kennedy announces USSR has  
military bases in Cuba.

1962- Supreme Court declares narcotic  
addiction a disease.

1962- U.S. Supreme Court rules recitation of  
prayers in public schools is unconstitutional.

1962- U.S. establishes Military Assistance  
Command in South Vietnam

1963 - Iron Mountain Project starts (Harry S.  
man Center for Advanced Peace) Hudson  
sp, Rand Corporation & others. Noteworthy is  
their interest that movies can promulgate theories -  
ET then a series of Nightmare movies started  
around 1978 - also "...the draft could be defended  
as a control device over unsettling elements of  
society."

1963- President John F. Kennedy requests a new  
type of facility to return mental health care to the  
mainstream of American Medicine. Community  
Mental Health begins.

1963- President John F. Kennedy announces USSR  
has military bases in Cuba.

1963- (Aug 28) Mass Civil Rights Rally in  
Washington.

1963- (Nov. 22) President John F. Kennedy  
Assassinated

1964- (July 2) President Johnson signs Civil Rights  
Bill

1963-Shulcliff and Jones restated that MPD is a  
state of a person trying to escape from the anxieties  
produced by a harsh superego as an extension of  
normal behavior. They felt that during the altered  
state of consciousness the person "acts out" his  
forbidden id urges. This altered state of  
consciousness they believed had delusional  
characteristics. It is interesting to note that they  
compared this primitive wish-fulfilling quality to  
that occurring in the normal dream state which in  
fact in the PTSD and MPD much of the dream state  
is re-enactment or message from within as to the  
traumas.

60's THE BEGINNING OF CULT  
PHENOMENON SPREADING TO NEARLY  
2,500 IN 1990. BLAME COUNTER CULTURE  
REVOLUTION.

Ten different varieties can be identified, by 1990 -  
most religious or mystical. "Some cults appear to  
be relatively benign, others harmful, some deadly."  
J. West, M.D. 1990.

1960- Francis Gary Powers shot down over Soviet  
Union-William Jennings Bryan, Psychiatrist said he  
had been "Powerized". Power's book *Operation  
Overflight* was withheld from publication by the  
CIA until 1970.

1960- Reports that John F. Kennedy went down to  
level of rat pack - illicit sex thrilled him, seen in  
Vegas (American Justice Files)

1961- Transmitters called "endoradiosondes" can  
be swallowed or implanted internally in man - part  
of new behavioral modification techniques.  
Measured physiological variables as gastro-  
intestinal pressure, bp, temp, bioelectrical  
potentials.

1961- Electrical stimulation of the brain-  
implantation of electrodes in the subcortical regions  
of the brain called "electrophysiology" - part of  
new behavioral modification techniques. Found  
that both animals and men will self stimulate at a  
tremendous rate in order to received stimulation  
"rewards" regardless of drives such as hunger &  
thirst. Put a serious dent in the "drive-reduction"  
theory of operant conditioning.

1961- Robert J. Lifton, Psychiatrist publishes  
*Thought Reform and the Psychology of Totalism*

1962- (Sept. 28) Kennedy appoints John McCone  
to head up CIA

1962- (Nov.) John A. McCone finds MKULTRA  
Project

1963- Cameron paid last check from Society for  
Investigation of Human Ecology

1963- Mind Control Program terminated (CIA  
Inspector General's report)

1965- Communist China explodes 2nd A-bomb.

1965- Pope Paul visits US.

1965- U.S. Rocket Ranger 8 crashes on Moon followed by Ranger 9 relaying photographs of lunar surface back to earth.

1965- First commercial satellite launched from Cape Kennedy.

#### 1966- IRON MOUNTAIN PROJECT GIVEN TO PRESIDENT ON DESIRABILITY OF PEACE - RECOMMENDATIONS & CONSIDERATIONS:

1. Economic-a) social welfare program directed towards maximum improvement of general conditions of human life b) guarantee open-space research program aimed at unreachable targets c) a permanent ritualized ultra-elaborate disarmament inspection system, & variants of such a system.

2. Political a) Omnipresent, virtually omnipotent international police force b) an established and recognized extraterrestrial menace c) Massive global environmental pollution d) fictitious alternate enemies.

3. Sociological: Control function a) Programs generally derived from the Peace Corps model b) A modern sophisticated form of slavery *Motivational Function a) Intensified environmental pollution b) New religions or other mythologies c) socially oriented blood games d) combination forms.*

4. Ecological. A comprehensive program of applied eugenics.

5. Cultural. No replacement instruction offered. Scientific. The secondary requirements of the space research, social welfare, and/or eugenics program.

1966- (Jan 17) H-Bomb lost over Spain in U.S. Air Collision - recovered off Polamares.

1966- Freedom of Information Act - requiring records of U.S. Government agencies be made available to the public.

1966- Lyndon Johnson "...the alcoholic suffers from a disease."

1966- (Aug.) Iron Mountain Project on the possibility and desirability of peace finished.

1966- (Oct. 6) LSD declared illegal.

1965- Orne & Evans demonstrated by hypnotizing college students that they could go to a box in a corner of a room and pick up a poisonous snake - some subjects got so close they had to be restrained at the last moment. Orne and Evans r demonstrated that they could tell subjects to pretend to be hypnotized along with hypnotized and then pick up a snake and put into fuming nitric acid. All pretenders did this along with the hypnotized students. The explanation was that they trusted the experimenter. "If he tells me to do something, it can't really be dangerous."

This research may seem benign on the surface but it surfaced as a primary source of victimization of children who almost always trust their abuser and peers.

1966- Invention of Wireless Shocker to treat compulsions, addictions, phobias and learning difficulties uses excuse that cattle prod does more damage. Advertised to shock a child 500 feet away in a playground.

1966- Portable transmitters called Behavior Transmitter-Reinforcer (BT-R) permits tracking of wearer's location.

1966- UFO Abduction phenomenon begins to increase.

1966- Proposal for Scientific Study of UFO- University of Colorado/USAF

<p>1967- Siuh Tsung-hwa, Communist China's foremost neuropsychiatrist: "...Neurosis and psychoses do not exist here, not even paranoia."</p> <p>1967- Suicide is seen as manifestation of emotional illness.</p>	<p>1967- J. West <i>Dissociative Reaction; Comprehensive Textbook of Psychiatry</i></p>	
<p>1967- American Psychiatric Association declares "Restraints" may be imposed from within by pharmacologic means or by locking the door of a ward."</p> <p>1967- George Stevenson, former President of the American Psychiatric Association: asserts that..."war behavior results basically from emotional disturbance."</p> <p>1967- Suicide is seen by Psychiatry as manifestation of emotional illness.</p> <p>1968- (April 4) Nobel laureate Dr. Martin Luther King assassinated by James Earl Ray aka Eric Starvo Galt. Evidence: FBI attempts to discredit King.</p> <p>1968- (June 5) Senator Robert Kennedy assassinated by Sirhan B. Sirhan.</p> <p>1969- 1977 Kohlberg began to look at method of evaluating levels of Moral Reasoning</p> <p>1969- William Jennings Brian, M.D., Psychiatrist for Sirhan Sirhan, California State Medical Examiners found Dr. Brian guilty of "unprofessional conduct in four cases involving sexual molesting of female patients." He was sentenced on 5 years probation.</p> <p>1970- Presidential commission on pornography proposed that sexually explicit material (pornography) was not only harmless but perhaps probably had therapeutic relief value for society. (Public bombarded with information on Vietnam, student protests, Paris Peace Talks, Hijacking, Inflation and "Woodstock". Opened door for legitimacy of pornography and Criminal trafficking of Pornography.</p>		<p>1967- Soviet Efforts to Contact Extraterrestrial Life-USAF Historical Archives</p> <p>1968- (July 29) Symposium on Unidentified Flying Objects - US House of Rep. Congressional hearings before Committee on Science and Astronautics 90th Congress, 2nd session. Panel of 12 scientists.</p> <p>1968- <i>UFOs: What to Do?</i> RAND Document, George Kocher, recommendations for further study.</p> <p>1968- Ionizing Radiation -Professor Charles Susking - University of California stated before Congress "Altho ionizing radiation seems to loom largest as a haze, it would not surprise me in the least if non-ionizing radiation were ultimately to prove a bigger and more vexing problem." Extremely low frequencies are called ELF's. Interesting note here: (Elf also means victory and Elf means war-they are derived from old English names.)</p> <p>1969- Final Report of Scientific Study of UFO - University of Colorado</p> <p>1969- Project Bluebook- USAF 16 year investigation of UFO's finished.</p> <p>1969- J.M. Delgado's Professor at Yale University (expert on neuro-behavior research-200 publications) Volume 41 in a series of World Perspectives - Board of Editors Sr Kenneth Clark, Konrad Lorenz and I.I. Rabi. "Physical Control of the Mind" &amp; the subtitle "Toward a Psychocivilized Society"</p>



<p>1970- Chinese Triads- (Chinese Mafia) in the U.S.</p> <p>1971- Attica prison outbreak.</p> <p>1971- (Nov 12) Nixon announces he will withdraw 45,000 more U.S. troops from Vietnam by Jan. 1972.</p> <p>1972- Angela Davis accused of murder, kidnapping &amp; conspiracy is acquitted by all white jury in San Jose.</p> <p>1972- Death Penalty ruled Unconstitutional by US Supreme Court.</p> <p>1972- William Kelley, Special Agent assigned by the FBI to investigate the Mafia's interstate transportation of pornography. Kelley states: "Even though obscenity in the U.S. was illegal in practically every state in the U.S., organized crime put millions of dollars into the distribution of obscenity and pornography across the country. Organized crime put millions of dollars into the original creation &amp; production of obscenity distribution throughout the United States. Best example was "Deep Throat" made in Miami, Florida - cost \$25,000 made in excess of \$30 0 million profit. The tidalwave of pornography brought images of violence to women &amp; children. The victims of these movies began to emerge in the mental health field along with children reporting ritual abuse in the early 1980's. Reports of movies depicting gang rape, explicit oral sex, urination &amp; defecation, sadity, bestiality with women and children. Parents exploited their children by forcing them to participate in underground pornography and sexual exploitation. The President of Focus and the Family reports the movies depicted gang rape, explicit oral sex, urination &amp; defecation, sadity, bestiality with women and children. Parents exploited their children by forcing them to participate in underground pornography and sexual exploitations.</p>	<p>1970- Piaget (follower of Janet) Sensorimotor/preoperational/ operational stage of child development begins.</p>	<p>1970- Sensory Deprivation experiments begin. Students paid \$20 a day to live in tiny solitary cubicles. "Many experienced vivid hallucinations- one student in particular insisted a tiny spaceship had got into the chamber and was buzzing around shooting pellets at him." They were fed propaganda messages by the experimenter - who had a marked effect on the student's attitudes- an effect that lasted for at least a year after they left the chambers." No follow up study. Propaganda was presented poorly and illogical but still had an effect on them.</p> <p>1970- Psychosurgery performed on "hyperactive" children (#115) in several countries, 39 of which were under the age of 11. Reports that a number of children 6-9 were give psychosurgery not in the 115 above.</p> <p>1971- Edward Hunter, <i>Brainwashing in Red China</i></p> <p>1971- Human Guinea Pig lawsuits reached such proportions that Senate Subcommittee on Constitutional Rights began investigation. Headed up by Senator Sam Ervin.</p> <p>1971- Intercept UFO. Renato Vesco, Italian military intelligence officer presents a provocative theory that UFOs since WWII originated from top secret Nazi experiments expropriated by the allies after the defeat of Germany. He cites many well known UFO cases as examples of the technology that has since been defined and used secretly. An important documentation and references that may portend far reaching implications if true.</p> <p>1972- Defense Intelligence Agency located 500 studies by Soviets devoted to the biological effects of "super-high frequency electromagnetic oscillations" (SHF).</p>
--	---	--

<p>1973- "Stockholm Syndrome" - Hostages develop affection for their captives.</p> <p>3- Watergate begins-Nixon takes responsibility ougging April 30th.</p> <p>1973- (May 17) Senator Sam Ervin begins televised proceedings of Watergate affair.</p> <p>1973- Nixon states White House already bugged by Kennedy &amp; Johnson.</p> <p>1974- Patricia Hearst kidnapped by terrorist Symbionese Liberation Army.</p> <p>1974- Assassin kills Mrs. Alberta King., mother of late Dr. King, during a church service in Atlanta.</p> <p>1974- Privacy Act requires federal agencies to provide individuals with any information in their files relating to them and to amend incorrect records.</p> <p>1974- Squeaky Fromme (Manson family member) attempts to assassinate President Gerald Ford.</p> <p>1977- First execution in 10 years Utah.</p> <p>1977- Hijacking start -</p> <p>1977- William Jennings Brian dies prematurely of heart attack after his name was raised with Candy Jones.</p> <p>1979- Three Mile Island - nuclear accident Pennsylvania -movie "Silkwood"</p>	<p>1974- "A New Clinical Syndrome" presented June 1976, Tampa-St. Petersburg-Clearwater Psychiatric Society (the cult indoctrinee) later to show up in DSM criteria.</p> <p>1974- 1985- Ralph Allison, M.D. Psychiatrist initiated papers on Multiple Personality Disorder ending several decades of silence..</p>	<p>1972- Russel Sage Foundation - Experimentation with Human Beings. Katz lists nature of offenses and the resulting judgments pp 292-306. p 309 Fed Govt report.</p> <p>1972- Puerto Rico - Thousands sight space ships in the deepest part of Atlantic Ocean- John Carpenter reports it was real.</p> <p>1973- Prison Thought Reform Team (brainwashing) - Deliberate changing of human behavior and attitudes by a group of men who have relatively complete control over the environment in which the captive population lives. Created social disorganization and the creation of mutual mistrust.</p> <p>1973- Brain Research Center UCLA - J. West proposed to Governor Reagan the establishment of a Center for the Study and Prevention of Violence. (community stopped the program)</p> <ul style="list-style-type: none"> <li>- Chemotherapy-use of drug Anesthine causes cessation of respiration for approx. 2 minutes, sensations of suffocation and drowning and the subject experiences feelings of deep horror and terror as though he were on the brink of death</li> <li>- Confinement/sensory deprivation</li> <li>- Forced to suffer maximum irritation</li> </ul> <p>1974- Sam J. Ervin, Jr., Chairman, Subcommittee on Constitutional Rights headed up a committee to investigate behavior modification stating "Recently, technology has begun to develop new methods of behavior control capable of altering not just an individual's actions but his very personality and manner of thinking as well. Because it affects the ability of the individual to think for himself, the behavioral technology being developed in the United States today touches upon the most basic sources of individuality, and the very core of personal freedom."</p> <p>1975- U.S. Navy Psychologist/US Navy Intelligence admitted to taking convicted murderers from military prisons and conditioning them as political assassins.</p> <p>1976- Defense Intelligence Agency Adams, R.L. &amp; Williams, R.A. (U.S. Army) <i>Biological Effects of Electromagnetic Radiation (Radiowaves &amp; Microwaves) Eurasian Communist Countries</i></p> <p>1978- People's Temple sect commits mass suicide at Jonestown, Guyana* 911 died.</p> <p>1978- Lin, J.C., <i>Microwave Auditory Effects &amp; Applications</i> (how audible voices are broadcast directly into the brain.</p> <p>1978- W. Bowart publishes <i>Operation Mind Control-</i></p> <p>1979- John Marks publishes <i>The Search for The Manchurian Candidate-The CIA and Mind Control</i> (Marks reports "One veteran recalls a colleague joking, 'If you could find the natural radio frequency of a person's sphincter, you could make him run out of the room real fast.'")</p>
---	--	---

1980- Child Abuse Reporting Laws (US) influenced by book *Sybil*

1980- DSM-III Includes a new Diagnostic category of Atypical Dissociative Disorder which includes individuals who have been subjected to periods of prolonged and intense coercive persuasion (brainwashing, thought reform and indoctrination while the captive of terrorists or cultists).

1980- Reagan/Bush gain control of senate for first time in 26 years.

1981- Hinckley (programmed assassin?) attempts assassination of Regan 3/31/81-Orne denies his multiplicity in television interview. Hinckley died of leukemia while incarcerated.

1981- Mehmet Ali Agca shoots Pope John Paul II in St. Peter's Square.

1980- Piaget Dies and leaves a legacy as the most influential theorist on intellectual development in children - demonstrating the experiences influence a person's way of thinking and is dependent on the person's age and previous experience. If a child is brought up from an early age to believe that there is no integrity or trust as a result of violations against them from birth, they would be candidates for social control from the most evil sources if his research is true (need to look at motor responses to sensory stimuli).

1981- *Extremist Religious Cults and Today's Youth*, presented at the International Conference on the Effects on Physical and Mental Health of New Totalitarian Religions, Bonn, West Germany

Hundreds of publications on dissociative disorders begin to emerge from early 1980's and continue on through the 90's.

1979- Orne showed that hypnotized subjects can see a "double reality" while pretenders cannot. Interesting was the finding that pretenders could not identify a person entering a room but would identify him as someone else while the hypnotized could identify the person. What is interesting about this experiment is that the hypnotized students could see the person sitting in a chair and see him also entering the room. Are children pretending to be hypnotized while they are being abused and in this way have difficulty identifying their abuser?

1979- While Orne was the originator of the research on whether college students could pretend to be faking hypnosis and with a cultivated heavy skepticism, he was brought in on the famous Hillside Strangler Case and outwitted 5 other Psychiatrists convincing them that Bianchi was insane or faking. To this date there is still evidence to show that Bianchi was suffering from Multiple Personality Disorder that has not been contested. Orne has been an essential figure in arguing against MPD and is Board member of FMS. He has demonstrated well on how to create personalities under Hypnosis. He has a consultant to the MKULTRA project of the CIA.

1980- August 15th *Willshire Times* carried a report of first crop circles near Westbury, Wiltshire.

1981- American Institute of Aeronautics & Astronautics (Aspen Institute for Humanistic Studies *Global Implications of Space Activities*)

1981- Judgment CAUS v. NSA to release UFO doc.

1984- "Less than Lethal" weapons developed prior to 1984 - for use with hostages. A variation on this weapon purchased by the Marine Corps. for confusing and disorienting the enemy..called a "microwave pulse radar" - rapidly heats the brain.

1984- Tyler, Paul E., Capt. Medical Command, United States Navy. Paper presented at workshop conducted by Air University Center for Aerospace Doctrine, Research and Education "The electromagnetic Spectrum in Low-Intensity Conflict" the conceptual basis from which microwave beam weaponry began.

1980-Lt. Col. Michael Aquino, Top Secret clearance in the Defense Intelligence Agency's Psychological Warfare Division (Psyops). Lt. Col. a professed Neo-Nazi and founder of Temple of Set. Charges of child sexual abuse at Presidio Day Care in San Francisco.

1 - AIDS begins to surface.

1982- President Ronald Reagan signed executive order increasing the amount of security-classified material to be released under the 1966 Freedom of Information Act.

1986- (Jan 28) Space Shuttle "Challenger" explodes with teacher aboard.

1986- (April 26) Chernobyl incident, Ukraine.

1986- (Sept 11) Stock prices fall biggest drop since 1929

1986- Iran Contra affair - North/Pointexter

1987- Rudolph Hess commits suicide in prison.

1987- (October 19) biggest stock market collapse since 1901.

1987- Reagan/Gorbachev treaty to eliminate nuclear forces in Europe

1987- U.S. Supreme Court ruled criminal defendants may testify about details they recalled under hypnosis.

1987- US Backlash begins patterns to discredit those reporting child abuse.

7- Nash, Lynn, Stanley & Carlson showed that hypnosis does not screen out sensory information altogether. Eventually the information gets to the nervous system and persists long enough to exert some influence on behavior even if the hypnotized person said they deny they heard or saw anything.

1987- Pentagon & Cache - Tim Weiner's investigation into Black Programs of the Pentagon and their implications for our economy and discussion of exotic techniques.

1988- (Feb. 11) 3,280 detainees from re-education camps released in Vietnam.

1988- Raids carried out in Pentagon.

1988- Code of Federal Regulations Title 14, Sec. 1211 - "seizure and detention of anyone who comes into contact with any form of extraterrestrial artifact or thing, or other form of life" and without benefit of hearing on a probable cause.

1988- Office of Technology Assessment of the U.S. Congress published a special report titled, *Criminal Justice, New Technologies and the Constitution*. Addresses the delicate balance between national interest and individual rights.

1985- Becker, Robert D. & Selden. Bary p 317 et seq. *The Body Electric: Electromagnetism and the Foundation of Life* explains how intelligence uses audible voices in their operations.

1986- Tyler, P.E. paper *Artificial Electromagnetic Fields*- presented at workshop conducted by the Air University Center for Aerospace Doctrine, Research & Education (CADRE) on March 1984. A proposal for funding of terminal experiments on slave labor (which had already begun in February 1976) in paper by Harlan E. Girard presented at the Annual Meeting of the Canadian Association for Security and Intelligence Studies University of Prince Edward Island May 31-June 2, 1992

1986- (April 17) Lifton & growing galaxy of doctors assembled to give evidence that Montreal survivors had been medically tortured. Civil Action No. 80-3163 the CIA was being sued.

1987- *The UFO That Can't be Explained*. UFO sighting by JAL Flight 1628 over Alaska Nov. 17, 1986

<p>1989- Rash of lawsuits begin against Mental Health figures bringing Mental Health Field to its knees.</p>	<p>1984- International Society for the Study of Dissociation/MPD organized.</p> <p>1984- Society for Study of Traumatic Studies</p> <p>1984- First Dissociative Disorders Unit-Rush-Presbyterian Hospital-Chicago Bennett Braun, M.D./Roberta G. Sachs, Ph.D.</p> <p>1988- "A Clinical Syndrome": Patients Reporting Ritual Abuse in Childhood by Satanic Cults (Young, Sachs &amp; Braun)</p>	
<p>1990- Federal Government establishes programs for victims of Political Torture Victims - Defines them as victims not mental patients. American family defined family violence and children treated within mental health system.</p> <p>1990- American Psychiatric Association Condemns USSR for psychiatric abuses + check on dates etc.</p> <p>1991- Middle East Crisis - Massive oil well fires (300+) UN Invades</p> <p>1993- "New Clinical Syndrome" US Military show signs of illness related to Persian Gulf War</p> <p>1994- US delay in ratification of UN CONVENTION ON THE RIGHTS OF THE CHILD. The Convention provides the legal underpinnings to the goals of the World Summit for Children, held in 1990. It emphasizes the central role of the family in the development of children and guarantees in law minimum rights for children such as equal treatment, regardless of gender, or race or cultural background; expression of opinions and freedom of thought; freedom from violence, hazardous employment, exploitation, abduction for sale, and free and compulsory primary education. It recognizes the special vulnerability of children as individuals with needs that evolve with age and maturity.</p> <p>1994- President of APA gives statement to NY Times after DSM-IV is published. Indicates studies are being done with better controls.</p> <p>1994- Mental Health treatment ignored in master plan for Medical Treatment.</p>	<p>1990- 20+ specialized units throughout the United States and Canada for the treatment of Dissociative Disorders including those alleging to be Ritualistically Abused.</p> <p>1992- Jacobs, David M., <i>Secret Life - Firsthand Accounts of UFO Abductions</i> - claims a new discipline.</p> <p>1992- "False Memory Syndrome" based on Loftus, Elizabeth research on repressed memories. Research not done on traumatized individuals, done under controlled laboratory conditions.</p> <p>1994- Studies begin to bring out one mind, one brain, one soul (Moyer).</p>	<p>1990- EMF Weapon Systems reported to be so powerful that they can scramble and fry the brain. Effects reported to be generalized symptoms as: dizziness, nausea, vertigo, disorientation, confusion, nervousness, irritability, lethargy, sweating, skin crawling, strange sounds (even strange sights), obsessive and compulsive behavior, stinging and pin prick sensations, aches. Long term effects - cancer, birth defects, cardiovascular disease, destruction of the immune system, nervous disorders, etc.</p> <p>1990- UFOs Over Belgium - From <i>Wall Street Journal</i> article on widespread sightings over Belgium.</p> <p>1990- Reports of over 1,000 crop circles over the world. This phenomenon continues to confuse scientists.</p> <p>1991- Gordon Thomas book "Enslaved" a chilling report of modern-day abduction and abuse in the global trafficking of men, women &amp; children, perpetrators of all kinds of sex crimes world wide are well organized and are skillful and knowledgeable in law enough to circumvent detection in most cases. If caught, however, they have enough support from the underground to get the allegations dismissed, whether or not they are allegations of sexual abuse, pornography, and/or slavery. By the start of 1991 according to the Anti-Slavery Society, there were at least two hundred twenty million slaves in the world. It is within the borders of this nation that they sell most of the by-products of enslavement: pornographic videos and obscene publications and "photo sets" of young children coerced or inveigled into sexual obscenities with adults.</p> <p>1992- Abduction Study Conference at MIT- Proceedings still not released as of December 1994.</p> <p>1993- Satellite Interception of pornography/microwave listening/an age of privacy?</p> <p>1993- WACO Vernon Wayne Howell aka David Koresh leader of CIA sponsored cult and followers were killed. Waco had CIA's Leadership Management Institute. We learned that mothers cannot be expected to put their children's safety first if their belief system contradicts their instincts.</p>

<p>1994-Republicans win back control of the Senate and House of Representatives.</p>	<p>Massive efforts to publish information on dissociative disorders - MPD changed in 1994 to Dissociative Identity Disorder.</p>	<p>1994- FBI monitors online for Pornography.</p> <p>1994-(May) Cyber-Psycho's A.O.D. publishes article <i>Rattling the Cages Part 2</i> by Arkoff Kapacitor. Article shows how to generate ultrasonics - frequencies audible to young women and persons with exceptional hearing that will produce feelings of panic and fear, other ranges that can cause fear, nausea and headaches and other frequencies that tend to cause headaches, muscle tension and conscious mental effects. Tells how to build a pocket size device no larger than a pack of cigarettes. Discusses that women and children are good targets. Also brags that it is possible to build a pocket-sized device that will produce instant pain in the ears of anyone it's pointed at, so long as they aren't deaf. Suggests taking the item to work in a briefcase to see how people will change their behavior immediately. He claims his information is from Robert E. Lennini's book, <i>"Build Your Own Laser, Phaser, Ion Ray Gun, and other working space-age projects"</i> - (1983), Tab Books. <u>This sort of information should be included in Stalking Laws to insure that harassment through non-lethal methods is not used by dabblers in this sort of entertainment.</u></p>
--	--	---



## Master Index for Researchers Edition of Operation Mind Control

Description	CH	PG
<b>A Repealing Thought (Chapter)</b>	41	1-20
<b>A Satanic UFO Reich? (Chapter)</b>	36	1-16
<b>A School for Assassins (Chapter)</b>	19	1-10
<b>Acetylcholine, role in EEOM and EDOM</b>	37	19
<b>Acetylcholine, role in memory blocking</b>	28	3
<b>Acoustic affectation of RNA covering of neuron paths</b>	11	7
<b>Acoustic beam weapons, high power low frequency</b>	31	8
<b>Acoustic psycho-correction messages with infrasound</b>	31	13-14
<b>Adey, W. Ross, work in low-level brain stimulation of</b>	27	7
<b>Age regression, definition of</b>	30	6
<b>Agent provocateurs, creation of</b>	33	22
<b>Air Force 1982 Review of Biotechnology</b>	29	3
<b>Al Gore, Vice President, as friend of John Alexander</b>	31	12
<b>Alan Cranston, Senator</b>	12	7
<b>Alertness, determination of, from brainwave analysis</b>	27	10
<b>Alexander, Col. John B., and Project Jedi, Psyops</b>	30	7
<b>Alexander, John B., and PSITECH</b>	31	1
<b>Alexander, John B., background of</b>	31	9
<b>Alexander, John B., results of asking questions about</b>	31	18
<b>Alien abduction claims, other viewpoints on</b>	36	6-7
<b>Alien abduction program destroyer credibility</b>	40	22
<b>Alien and Satanic programs on military bases</b>	38	17
<b>Alien paradigm as Iron Mountain war substitute</b>	38	23
<b>Alien thesis, mind control aspect, further thoughts on</b>	36	13-14
<b>Alien training using the Monarch program</b>	14	16-17
<b>Allen Dulles as member of Warren Commission</b>	21	7
<b>Allen Dulles, approval of MKULTRA by, 1953</b>	7	6
<b>Alpha and Beta programming, formula comparison</b>	11	8
<b>Alpha programming of base control personality</b>	11	6
<b>Alpha through Omega programming, additional data</b>	40	11
<b>Alpha-wave frequency of the human brain</b>	28	4
<b>Aluminum foil shielding of UHF signals</b>	16	7
<b>American propaganda about American POW's, 1953</b>	3	8
<b>American Security Council (ASC) military think tank</b>	31	12
<b>Amnesia experiments, early US Army</b>	4	3
<b>Amnesia to embedded commands, technique of inducing</b>	30	5-6
<b>Amnesia, CIA need for in operations work</b>	7	6



## Master Index for Researchers Edition of Operation Mind Control

Description	CH	PG
Amnesia, definition of	30	6
Amnesia, interrogations v. hypnosis	7	12
Amnesia, partial, through the use of drug/hypnosis	7	5
Amnesia, relationship of split-brain programming to	11	13
Amnesia, why military returned to civilian life with	25	4
Anderson, Jack, 1972 breaking of Embassy story	28	7
Anectine, as drug used in CIA work at Vacaville	7	8
Anesthesia, definition as related to dissociation	30	6
Antichrist, training a force to prepare for the	11	13
Aquarius group as the Nazi faction in US government	37	1
Aquarius group operations, COM-12 briefing on	37	2
Aquino, Lt.Col Michael, Monarch participation by	9	6
Aquino, Michael, relationship with Reagan	9	13
Aquino, Michael, Satanic Church of	10	11-19
Army microwave testing programs 1986, aspects of	29	3
Army War College psychic experiments	31	2-3
<i>Assassination and Hypnosis: Political Influence</i> , report	19	8
Association of National Security Alumni, the	38	17
Audio reversal linguistic techniques, Project Monarch	9	2
Audio-visual desensitization processes, Naval	19	3-4
Auditory effects, microwave stimulation and	29	3
Auschwitz taboo as prevention of overt mind control	10	11
Authorization to perform tests on inmates, 1956, CIA	7	6
Aversion Therapy, description of	18	4,6
Aviary, the, discussion of the	31	14-15
Avoidance pattern geometry and neural networks	36	2
Barnaby, Dr. Frank, on mass EM empairment	28	5
Barron, Frank, and Timothy Leary	5	4
Beecher, Dr., Harvard psychocontrol drug study	7	13
Behavior alternation by high powered pulsed MW	29	3
Behavior as shaped by its consequences	18	5
Behavior modification and Department of Labor	7	9
Behavior modification and the LEAA	7	9
Behavior modification projects, government, 1970's	7	9
Behavioral alternatives for criminal treatment	18	6-7
Berkeley Graduate Theological Union, the	11	11
Beta programming of reproduction and sex habits	11	6

## Master Index for Researchers Edition of Operation Mind Control

Description	CH	PG
Bethesda Naval Hospital, drug projects at, authority	7	12
Bethesda Psychhealth Institute, deviant behavior	11	11
Betty Ford as mother of Michel Aquino	10	19
<i>Beyond Freedom and Dignity</i> , Skinners work called	18	6
Biderman, Albert K, analysis of Korean Propaganda	3	8
Biochemical production of psychological control	7	12
Biochemicals, use of , Project MKDELTA	7	6
Biological effects of microwaves, US Embassy	29	5
Biological radio communication, Helms statement on	28	3
Black budget CIA funding through drug sales	9	9
Blauer, Harold, death of	6	3
Bluebird, Project, description of	7	4
Body, human, relationship with Earths EM field of	29	9
Bonacci, Paul, disclosures of	14	11
Books and tales used in programming, partial list of	11	13
Boston Psychiatric Hospital, CIA drug research at	7	4
Brain entrainment with ELF fields, binaural data on	26	14
Brain neural pathways, triggering in MPD's	9	1
Brain Research Institute at University of California	27	5
Brain scrambling weaponry	34	11-15
Brain wave alteration by microwave irradiation	28	5
Brain, influencing separate section directly	29	23
Brain, making sounds and words appear in the	29	9
Brainwashing as a Communist weapon	3	3
Brainwashing in Korea	3	6
<i>Brainwashing in Red China</i> , Edward Hunters book	3	3
Brainwashing, Robert J. Lifton comments on	3	3
Brainwaves, detection of, theory behind	27	15-17
British use of electronic weapons on Irish prisoners	35	15
British use of mind control in Northern Ireland	27	18
Brussell, Mae	32	5
Bryan, William Jennings, COM-12 reference to	37	11-13
Bulbocapnine, use as a schizophrenic agent, CIA 1956	7	6
Bureau of Social Science Research	3	8
Bush and Reagan use of EMC to cover leaks	37	6
Bush, George, relationship to Franklin case	14	2-3

**Master Index for Researchers Edition of Operation Mind Control**

Description	CH	PG
Byrd, Senator Robert, Project Monarch connection	9	3
Byrd, Senator, justification for world mass control	9	10
BZ, Edgewood Arsenal development of	5	15
California Medical Facility at Vacaville, CIA work at	7	7
California Medical Facility at Vacaville, projects at	18	7
California, massive CIA operations in	32	18
Callaway, Dr. Enoch, ONR brain research and	27	8
Cameron, Dr. Paul, murder-for-pay study, 1976	25	3
Candy Jones, mind control experience of	8	1-13
Capacitor, multi-range discharge, neural stimulation	11	7
Cardiovascular effect of HEP pulsed microwaves	33	22
Carrying covert implanted messages	25	9
Castalis Foundation, the	5	8
Castillo, Luis Angel, case of	20	1-9
Catalepsy, definition of	30	6
Catholic Church, political ties to US Government	9	4
Cellular Telephone Net and Mind Control	37	18-19
Center for National Security Studies	7	1
Center for the Prevention of Violence, areas of study	39	16
Center for the Study of New Religious Movements	11	11
Chaffin, William F., 1958 drug testing on	6	7-10
Chemical control bases in mass population	37	19
Cheney, Dick, use of Monarch slaves by	9	5
Children and Satanic ritual abuse, discussion of	39	1
Children, abused, MPD, government recruitment of	9	2
Children, conditioning as sex slaves through Monarch	11	6
Children, parallel programs implanted in	11	13
Chinese brainwashing techniques	3	9
Christian groups as pawns of the cryptocracy	37	20
Church Committee Investigation of CIA assassination	21	7
CIA "Near Death Trauma Centers"	30	11
CIA and National Institutes of Mental Health	7	9
CIA and sponsorship of 1960's consciousness movement	5	5,11
CIA as NSA "whipping boy", military part to play	25	6
CIA authorization of tests on unwitting subjects, 1956	7	6
CIA Black Budget funding through drug sales	9	9
CIA disruption of Middle East peace	26	7

## Master Index for Researchers Edition of Operation Mind Control

Description	CH	PG
CIA drug research at Boston Psychiatric Hospital	7	4
CIA drug research at Mount Sinai Hospital	7	3
CIA drug wars against its competition	9	11
CIA interest in 1953 in a synthetic virus	13	5
CIA microwave operations in Europe 1978	31	8
CIA Mind Control activities in the US, Rockefeller Rpt	7	1
CIA Office of Scientific Intelligence, 1949 research of	7	3
CIA Office of Security, and Project Artichoke	7	4
CIA Office of Security, Proposals to test CIA volunteers	7	4
CIA operations need for use of amnesia	7	6
CIA participation in looting of national S&L's	33	21
CIA paving the way for acceptance of martial law	33	11
CIA Public Affairs Office, media relationships with	1	7
CIA sex slave use by government office holders	12	8
CIA tests of BZ on federal prisoners 1963 Kentucky	32	16
CIA use of dummy projects to conceal real ones	29	6,22
CIA, degenerate nature of the	35	17-18
CIA, Leary admission of work with	5	4
Clark, Kenneth B., mind control as social control	28	8
Climate in UFO research circles	38	22
Clinical settings and MPD treatment modalities	36	7-8
Clipper Chip, NSA monitoring of private lines using	17	15
Code usage effects on Adult and Child survivors	11	16-17
Codes, color, and associated behavior paradigms	11	15
Codes, introduction of	11	16
Codes, use and reintroduction of	11	15
Cognitive alterations through microwave pulses	29	3
Cointelpro recruitment of Americans	27	14
Cold War, the sham of the	13	12
COM-12 Briefing, the (Chapter)	37	1-22
Communication = 90%behavioral,5%tonal,5%content	31	13
Communication, body internal, EM waves and	10	7
Communications media as psychotronic weapon	10	1-6
Communications, gov't control and Skinner paradigm	29	20
Communism focus of 1950's a mask to hide US Reich	32	13
Compartmentalization of memory in MPD's	9	1
Compounds developed to alter brain/thought function	11	8

## Master Index for Researchers Edition of Operation Mind Control

Description	CH	PG
Computer driven satellite directed mind control	11	7
Computer recognition and sorting of brain waves	27	8
Computer-brain interface research	27	11
Computerized mind files of Monarch slaves	12	12
Computers, sovereignty in the hands of, paradigm of	30	9
Concord Correctional Facility LSD experiments	5	4
Conditioning to prevent information disclosure	7	4
Conditioning, "You can run but cannot hide"	9	10
Confessions to JFK conspiracy ignored	21	9-11
Consciousness-detection of remote viewer by military	29	9
Consumertronics and John J. Williams	34	1-18
Control by interrogation techniques	7	4
Control of Candy Jones, COM-12 description of the	37	5-22
Control of machines using EEG patterns	27	10
Control of mind, thoughts and future, paradigm of	29	19
Convincing subjects that reality is fantasy	9	9
Corporate role in influence of cryptocracy	17	13
Cortical Linking Neural Network Models VLSI	36	12
Covert criminal operations, training for	9	9
Creative visualization, power of	30	3
Criminal activities hidden under National Security	13	13
Criminal Justice, New Technologies, Constitution, rpt	35	15
Cryptocracy, definition of the	1	6
Cryptorian Candidate, the (Chapter)	1	1
Cue commands and Dual commands	24	13
Cult Awareness Network	36	1
Cult Awareness Network, Dr. Louis Jolly and the	39	15
Cult Control (Chapter)	32	1-19
Cults, psychiatric aspects of, Louis West comments on	32	1
Customs Service probes into child recruitment	15	1-4
Cybernetics, Soviet trend toward, Helms 1964 report	27	6
Cynthia Byrtus and the SMRC in Colorado	11	11
Dames, Ed, and PSITECH, ex-DIA	31	9
Dangerous Free Thinking (Chapter)	40	1-29
DARPA microwave experiments at Walter Reed	29	5
David, USAF memories of	2	1-13
Deaths-door programming	30	10-11

Master Index for Researchers Edition of Operation Mind Control

Description	CH	PG
Deception, psychological changes during, project on	7	13
Decoy hypnotic levels	26	15
Deep Creek Lake, Maryland, 1953 LSD experiments at	7	1
Deep Probe (Chapter)	27	1
<i>Defense Against Soviet Medical Interrogation</i> , report	7	11
Defense Department as a CIA subcontractor	7	9
Defense Intelligence Agency, gov't drug experiments	7	10
Delayed effect from microwave beam weaponry	34	7-8
Delgado, Jose, the work of	27	1
Delta fields and trance induction	26	13
Delta programming of self preservation instincts	11	6
Demonic possession as illusion for mind control	9	13
Department of Health, Education and Welfare, CIA	7	9
Department of Labor as a CIA subcontractor	7	9
Depth of hypnotic trance and Post hypnotic amnesia	4	11
Descartes, 1664 work of, activity and externals	18	3
Desensitization through exposure to violent media	37	19-20
Desensitization, description of	18	4
DIA contract with US Govt, drugs to unwitting people	7	10
DIA recruitment of multi-generational abused children	9	2
DIA report on EM Biological Effects, 1976, review of	35	16
Directed energy weapon use in assassination	33	19-21
Disease projection technology, Alexander mention of	31	3
Disempowerment of human potential through debunk	13	6
Disney films use as control infrastructures by CIA	9	4
Dissociated state, use for trauma dissociation	11	17
Dissociation as process of psychological removal	30	11
Dissociation from surroundings and hypnotic trance	30	2
Dissociation, definition of	30	6
Dissociative abilities and extrasensory experience	13	6
Dissociative Identity Disorders, Candy Jones case	8	1-13
Dissociative Identity Disorders, computer creation of	36	12
Dissociative Identity Disorders, psychic phenomena in	13	5
Division Five, FBI	37	16
Dorothy, voice manipulation case of	16	10
Dreams, programming the subject of	30	1
Drug attributes of society in 1968	5	11

Master Index for Researchers Edition of Operation Mind Control

Description	CH	PG
Drug specific brain activity to maximize programs	9	9
Drug trafficking and Project Monarch	11	9
Drugs as catalysts to productive interrogation	5	15
Drugs inducing hypnosis, mind control	5	2
Drugs, trafficking CIA v. Mob competition	32	19
Duke University, J.B. Rhines telepathy experiments at	13	6
Earth magnetic field alteration by radio transmission	29	9
Edgewood Army Chemical Center, drug testing at the	6	4-10
Edmonton, Alberta, CIA 1976 mind control atrocities	35	17
Effects of Modulated VHF Fields on CNS (Chart)	36	16
Einhorn, Ira, discussion of	29	11-17
Eisenhower warning, military industrial complex	17	11
Election, 1980 Presidential, stealing of the	33	17
Electrical stimulation of the brain, ESB effects	27	6
Electromagnetic bioeffects, DIA 1976 report, review of	35	16
Electromagnetic biohazard indications in the 1970's	29	8
Electromagnetic modulation of auditory impulses	16	1
Electromagnetic Pulse devices	29	3
Electromagnetic pulse weapons, non-nuclear	31	6
Electromagnetic target, common experiences of a	16	12
Electromagnetic weapons and defense, public sources of	34	1-18
Electronic cancellation of thought processes	35	18
Electronic Dissolution of Memory EDOM	28	1-12
Electronic Enhancement of Memory EEOM	37	16
Electronic Freedom Foundation	17	15
Electronic possession and compressed microwaves	11	5
Electronic programming of embedded commands	11	7
Electronic technology as essential to US domestic policy	35	1
Electroshock therapy, Rand recommends USAF study	27	3
Electroshock, as part of CIA SD Interrogation Pgm	7	11
ELF field use in conjunction with drugs	26	5
ELF fields interference with biological cue frequencies	29	2
ELF waveforms and physiological disorders	10	7
Elson, Dr., University of Indiana Navy/CIA drug proj.	7	13
Encounter with an "alien" and gov't "techie"	38	20-22
Entertainment industry use for programming	14	18
Epperson, Ralph A	38	2

## Master Index for Researchers Edition of Operation Mind Control

Description	CH	PG
Epillon programming, Monarch	11	12
Erickson, Milton, comments on Wells experiments	4	6
Erickson, Milton, NLP work of	31	13
Ericksonian methods as key to unlocking programming	40	9
Estabrooks, Dr. George, 1940s warnings by	4	1-3
Estabrooks, George	24	14-15
Eugene, Oregon 1978 4.75mhz, 1100cps, 3000' altitude	29	7
Eugenic management, direct	38	5
Events reproducing memory of previous events	9	7
Excaliber Briefing, Tom Beardens book called	29	11
Exercises to prove people are accessible to you in mind	30	4
Expose providing deeper covers that original plot	41	15
Eye Movement Desensitization and Reprocessing	11	12
False Memory Spindrome (Chapter)	39	1
False Memory Syndrome and ritual abuse	39	2
False Memory Syndrome Foundation	36	4
FBI as one of the major abusers of children	39	14
Federal prison inmate experiments, MKDELTA	7	7
Feldenkrest technique of trance induction	30	3
Ferrie, David William	21	9
Finders, Kidnappers, Nazis (Chapter)	15	1-11
First Article Configuration Inspection	25	7
Foreign Counter Intelligence Agency	15	1
Fort Riley, Kansas and Monarch training	14	16
Fourth World War as combat of the mind	29	11
Franklin Community Credit Union, looting of the	14	1-3
Freedom, the sham of	25	12
French use of infrasound as crowd control	31	8
Frequencies causing confusion at 388 Megacycles	16	11
Frequency and chemical manipulation to cover leaks	37	6
Frequency spectrum of geomagnetic field	36	16
Frequency Wave Manipulation of Populations	37	18
Frey, Allan H., work on human hearing of microwaves	29	5
Freyd, Dr. Pamela, parental abuse memories of, case	39	3-8
Fromm, Erich, on specter of mechanized society	28	10
Future pacing, suggestions placed in subconscious	10	8
Gaefsky, Dr., as head of Bethesda drug project 1947	7	12



## Master Index for Researchers Edition of Operation Mind Control

Description	CH	PG
Gamma programming, Monarch	11	12
Gaylin, Dr. Willard, electrode implantation	28	7
Geller, Uri, paradigm of	28	10
General Electric TV recall, 1968, radiation hazard	28	6
Generational conditioning of genetic memory for abuse	40	1
George Bush, indications of programming and	10	8
German associations of Betty Ford	10	19
German discovery of brain waves	27	8
German government Top Secret BLACK ARTS	11	2
German mind control covert influences in the US	10	8-11
Gigahertz effects on the human nervous system	35	15-18
Gindea, Dr. Bernard C., US Army amnesia experiments	4	3
Girard, Dr. Harlan, as EM target of cryptocracy	35	1
Gittinger, John, CIA former chief psychologist	5	5
Gottlieb, Dr. Sidney, notification of Olsen death to	7	2
Gottschalk, Dr. Louis, report on addiction & control	5	13,15
Government ties to Catholic Church	9	4
Grand Wizard, Marionette Programming subset	11	13
Greek alphabet programming, drug trafficking and	40	11
Greek letter programming	11	14
Green, Dr. (Greenbaum) and Marionette Programming	11	12
Greenbaum, Nazi mind control doctor called	11	12
Hallucinations, positive and negative, definitions of	30	6
Hallucinogens, Intravenous, WWII administration of	1	3
Harmonics generators	11	3
Harmonica, programming while sensory deprived	30	12
Hastings, Dr. University of Minnesota USAF/CIA study	7	13
HDF International	26	2
Hearing microwaves, human ability with	29	5
Heart attacks, remotely generated	31	3
Helms testimony in front of Church Committee	21	7-8
Heroin traffic, CIA contribution to	5	13
High Frequency Active Auroral Research Program	29	17
High frequency weapons, directional nature of	34	6
Hilgarde, Ernest, hypnotic experiments by	36	11
Hippocampus, altered states and EM radiation of	29	25
Histamine production and sense of "burning alive"	30	12

## Master Index for Researchers Edition of Operation Mind Control

Description	CH	PG
Hitchcock, Tommy, WWI ace, intelligence contacts of	5	8
Hofmann, Dr. Albert, 1943 LSD experience of	5	2
Hollister, Dr. Leo E., defense of Vacaville work	18	7
Hollywood personalities as Monarch handlers	12	11
Holy Acid Wars (Chapter)	5	1
Hope, Bob, alleged involvement with Monarch slaves	12	9-10,15
Hospitals, 1949, CIA drug research by the OSI	7	3-4
House Committee on Un-American Activities, 1958	3	3
How to Create a Sex Slave, video called	9	7
How to Divide a Personality, video called	9	7
Hubbard, L. Ron, mind control insights of, & gov't	5	1
Hudson Institute, the	38	2
Hughes-Ryan Amendment, CIA operations accountable	32	19
Human disposition to new ideas and EM environment	10	7
Human Electromagnetic Targets (Chapter)	35	1-20
Human Resources Research Organization, 1960's	19	6
Hypermnnesia, definition of	30	6
Hypnosis forms you can try for fun	30	5-6
Hypnosis in Intelligence, 1966 report on use of	30	1-2
Hypnosis, Pain-Drug, as extension of narcosynthesis	5	1
Hypnosis, Soviet experiments in, Rand Analysis of	4	8
Hypnosis, telepathic, testing of	31	2-3
Hypnotic design, post, definition of	30	6
Hypnotic induction in an unwilling subject, Rand on	4	10
Hypnotic induction of criminal behavior, Watkins work	4	4
Hypnotic regression and physical manifestation	9	15
Hypnotic suggestion, COM-12 description of early	37	4
Hypnotic trance, people drift in and out daily, data on	30	2
Hypnotically induced accelerated tissue healing	30	11
Ideomotor activity, definition of	30	6
Ignorance of capability of mind control, legal	14	20
Images common to split-brain programming	11	13
Impairment of biological cues by ELF frequencies	29	2
Impairment of cellular growth processes by ELF	29	2
Implanation of transmitters in prisoners, advocates of	29	21
Implantation of all Americans, proposal by Meyer	38	16
Implantation of memory blocks for a "conscience"	33	17

## Master Index for Researchers Edition of Operation Mind Control

Description	CH	PG
Implants, sodium/lithium powered HF transceiver	11	7
Imprisonment, electronic forms of, CIA developed	35	1-2
Incest and child abuse statistical analysis	39	1
Incest victims, multi-generational, and churches	11	10
Indian reservations, mind control on	37	15
Individual rights v. National rights, 1988 policy	35	15
Indoctrination procedures, ordinary CIA	17	1
Induction of amnesia to commands, verbal, technique of	30	5-6
Induction of specific mood after sleeping, work on	30	1
Influence of government leaders by The Council	12	12
Information, prevention of unauthorized extraction	7	4
Infrasound and crowd control	31	8
Infrasound subliminal influence of brain activity	10	7
Institute for Defense Analysis Task force on microwave	29	5
Institute of Police Technology and Management	11	11
Institutional denial of abuse of children in the US	39	2
Institutional drug experimentation, 1960's paradigm of	7	9
Institutionalized secrecy comes to US in WWII	17	2
Insulin shock as psychiatric mind control	7	12
Intelligence Support Activities Unit (ISAU)	37	16
International Federation for Internal Freedom (IFIF)	5	8,11
Internet a threat to National Security infrastructure	41	7
Internet article on mind control and telepathy	27	12
Interpretation of brain wave patterns, early work	27	9
Interrogation and drug dependence, Gottschalk and	5	13
Interrogation, narco-hypnotic, Project Artichoke	7	4
Invisible Warfare (Chapter)	29	1-25
Involuntary reflexes, training of	18	8-9
Ionization, atmospheric, and mental reception	10	7
Ionospheric frequencies as carrier for LF sonic waves	28	4
Ionospheric modification research, HAARP project	29	17
Irradiation of US Embassy in Moscow, discovery of	28	5
Isolation of cognitive domain from neural network	36	2
Jackson Memorial Hospital	35	12-13
James Earl Ray, COM-12 analysis of	37	13-14
Jamming signals for EM waveforms	34	11
Jewell, Otto, the programming of	26	6

Master Index for Researchers Edition of Operation Mind Control

Description	CH	PG
Jim Jones, body found as a double	32	17
Jim Jones, CIA contacts of	37	15
John Judge, Jonestown interpretation of	32	5
Jones, C.B. Scott, background of	31	14
Jonestown Massacre as CIA mind control experiment	32	2-19
Joyce, James, phonetic embeds in <i>Finnigans Wake</i>	33	18
Just Say No Program, opposite effect of the	10	8
Justice Department drug cases, CIA influence on	5	14
Kennedy, Robert, death, LAPD and, COM-12 analysis	37	11
KGB as extension of Soviet political system	17	14
Kilgallen, Dorothy, interview with Jack Ruby	22	4
King, Martin Luther, murder of, and Earl Ray	23	1-8
Kloe, Dr. Gerald, US Army drug-testing program and	6	4
Koreans brainwashing, analysis of	3	8-13
Koreah as a CIA sleeper	33	9
Koreah, parallels with Cyrus Teed in 1839	33	22-24
Langley Proter Neuropsychiatric Institute	27	8
Language manipulation and double meanings	9	8
Language of the unconscious, word definitions of	30	6-7
Larry King, government relationships of	14	2
Law enforcement and implant telemetry, thoughts on	29	20
Law Enforcement Assistance Administration (LEAA)	7	9
Law enforcement training on MPD and Ritual Abuse	11	11
Lawuits relative to government drug experimentation	7	9
Layers of programming and levels of power	11	13
Learning models of quantum neurodynamics	36	1-2
Leary and Alpert, firing from Harvard of	5	8
Leary, Dr. Timothy, and LSD scenario	5	4-12
Lebensborn program, Himmler's	14	1
LIDA machine, the Soviet, use and testing of the	29	21-22
Linkletter, Diane, death of	5	12
Little Albert, Watsons experiments on	18	3
Locking personality to one age bracket	26	4
Lois, the case of, Monarch programming on	12	1-16
Lone Assassin paradigm, description of the	21	1-11
Los Alamos laboratories, psychotronic and MC projects	31	13
Los Alamos laboratory, non-lethal weaponry work at	31	5

Master Index for Researchers Edition of Operation Mind Control

Description	CH	PG
Los Angeles Riots, April 29, 1992, EM manipulation	37	18
Lovett Committee, US should model Britain BIS	14	13
Lovett, Robert A., Brown Brothers Harriman	14	13
Low frequency weapons, omnidirectional nature of	34	6
Low intensity conflict, use of non-lethal weapons in	31	5
LSD antidote, US Army 1975 development of an	5	17
LSD experiment involvement of Mary P. Meyer	5	5
LSD experiments on US Army soldiers	5	17
LSD flashbacks, survey on	5	12
LSD media hype, post-psychedelic revolution	5	12
LSD, government experimentation with	5	2-12
LSD, government tests on unwitting subjects	6	4
LSD, repeatable emotional states under	6	9
Luria, A.R., comments on hypnosis and behavior	4	8,9
MacDill AFB, Florida, mind control program at	9	11
Machiavelli, Niccolo, technocracy within paradigm of	17	13,14
Maintaining classified information using mind control	37	14
<i>Manchurian Candidate</i> , Richard Condon's	1	1
Manipulation of Belief foundation of Cryptocracy	17	14
Manipulation of Specific Individuals Frequency	37	18
Marchetti, Victor, CIA revelations of, cyborg tech	28	10
Marionette Programming	11	12
Mark Lane, COM-12 discussion of	37	15-16
Mark Phillips, researcher into Project Monarch	11	2
Maas mind control, paradigm of justification for	9	10
Mathematic expression of neural connectivity	36	12
Maxwell Air Force Base, mind control programs at	9	10
McCarthy, Jim, and the SMRC in Colorado	11	11
McConnel, Professor James V, at U.Michigan	18	8
McRae, Ron, <i>Mind Wars</i> author, psychic weapons	31	2
Mechanistic-reductionist philosophy, key strategies of	13	6
Media ownership by The Council	12	12
Memory enhancement, control using, project on	7	4
Memory erasure of military members, survey of	1	4
Memory erasure using stun guns	11	8
Memory flooding after death of abuser	39	9
Memory recall, definition of	30	6

## Master Index for Researchers Edition of Operation Mind Control

Description	CH	PG
Mind altering techniques, the overall purpose of	35	16
Mind conditioning through torture	11	6
Mind control and telepathy, Internet article on	27	12
Mind control as being out of control	11	10
Mind control as desirable social control, paradigm of	28	8
Mind control justified by perception of evolution	9	10
Mind Control Operations, COM-12 briefing on	37	2-22
Mind control perceived as "opportunity for losers"	9	12
Mind control protection from incriminating memory	25	4
Mind control, 1949 Rand analysis of defense against	7	10
Mind control, definition and book premise	1	5
Mind control, first indication of cryptocracy interest in	7	10
Mind control, military as the first target of	10	8
Mind control, overt, Auschwitz taboo prevents	10	11
Mind control, religious, achieving peace through	9	13
Mind Laundry Myth, the (Chapter)	3	1
Mind reading as side effect of MPD	13	5
Mind reading machines, 1976 media headlines on	27	9
Mind weaponry, development of, and John Alexander	31	15-16
Mind, sane defense in an insane situation, MPD as	9	1
Mind-body manipulations and hypnosis	9	15
Minds defense when faced with trauma	9	16
Mindazenty, Joseph Cardinal	7	11
Mindwar (Chapter)	10	1
Mindwar piggybacking on natural EM phenomena	10	7
Minnesota Multiphasic Personality Inventory, the	19	3
Missing children in the US, analysis of	39	1
Missing time as an indicator of mind control effect	34	12
MKDELTA as operational phase of drug mind control	7	13
MKDRACO as code name for alien abduction scenario	37	20
MKULTRA as R&D period of mind control	7	13
MKULTRA File, Document 32 of the, text of	7	7
Mohrenschiltdt, George de	22	4-7
Monarch controlled persons as "superior race"	9	6
Monarch Corroboration (Chapter)	13	1-16
Monarch program, general overview of	14	1
Monarch programming locations, a list of some	11	11

## Master Index for Researchers Edition of Operation Mind Control

Description	CH	PG
<b>Memory scrambling using spin programming</b>	9	7
<b>Memory storage in brain process of hard-wiring</b>	29	25
<b>Memory, compartmentalization through MPD</b>	9	1
<b>Mental control over physical abilities by personality</b>	9	3
<b>Mental health industry, involvement in alien scenarios</b>	36	14
<b>Mental institutions, government classified</b>	11	2
<b>Mental Telepathy System (MTS) technology</b>	27	12-18
<b>Mental Telepathy System, hearing two way voices</b>	34	11-12
<b>Messages, embedding in subconscious mind, sonic</b>	11	7
<b>Meyer, Dr. Joseph</b>	38	16
<b>Meyer, Mary Pinchot, brainwashing intentions of</b>	5	7
<b>Meyer, Mary Pinchot, death of</b>	5	10
<b>Microwave analog audiograms and hallucinations</b>	35	17
<b>Microwave auditory effects, Walter Reed research</b>	29	3
<b>Microwave bioeffects, Czech research on</b>	29	5
<b>Microwave bombardment of the Waco compound</b>	33	11-12
<b>Microwave coupling to central nervous system</b>	29	3
<b>Microwave debilitation effects, Walter Reed work on</b>	29	3
<b>Microwave effect on stimulus-controlled behavior</b>	29	3
<b>Microwave effects (Ghz) on the nervous system</b>	35	15-18
<b>Microwave penetration of body systems 1-5 Ghz</b>	29	3
<b>Microwave projectiles, high power</b>	31	7
<b>Microwave radiation, behavioral effect, Zaret, 1964</b>	28	6
<b>Microwave radiation, early 1933 Soviet studies</b>	28	5
<b>Microwave weapon use during the Bush Administration</b>	35	15
<b>Microwaves and cancer and the US embassy in Moscow</b>	29	5
<b>Microwaves, compressed, voice transmission and</b>	11	5
<b>Microwaves, High-Powered Pulsed (HPM)</b>	29	3
<b>Microwaves, human auditory perception of</b>	29	5
<b>Microwaves, use by CIA to affect mental functions</b>	31	8
<b>Military 1968 testimony, "non-exposure" to MW</b>	28	6
<b>Military as first target of mind control</b>	10	8
<b>Military bases, use as reprogramming centers</b>	11	8
<b>Military denial of biological effects from EMF</b>	29	3
<b>Military hardware conversion to non-lethal capability</b>	31	5
<b>Military stress training and observation</b>	19	7
<b>Military turnover of old missile bases to agencies</b>	39	15

## Master Index for Researchers Edition of Operation Mind Control

Description	CH	PG
Navy involvement in assassin training	19	1
Navy, U.S., authority for CIA drug mind control proj.	7	12
Nazi camp killers as pets of British and US finance	14	13
Nazi principles and total mind control, paradigm of	9	10
Nazis in US Government, Bush/Reagan concealment of	32	14
Nebraska, child abuse, satanism and murder in	14	1-11
Nervous system, jamming synaptic connections in	31	2
Nervous system, microwave effect on, Army research	29	5
Neural connections, remote interference with	31	2
Neuro-linguistic programming (NLP), premises of	30	8
Neuro-Linguistic Programming, Erickson insights and	4	7
Neurolinguistic programming as used at Waco	33	12
Neurolinguistics program, Al Gore attended training	31	12
Neurolinguistics programming NLP and mind control	31	1
Neuron pathways, shutdown during MPD's	9	1
Neuropsychiatric Institute, UCLA, Westwood	12	7
New Patterns of Influence Program	30	7
Nichols, Glen E., victim of mind control, story of	35	2-9
Noblitt, Dr. Randy, mechanics of programming, data	36	8,11-12
Noises, programming utilizing	11	14
Non-Lethal Weaponry, social use began in 1970's	29	4
Non-Lethal weapons as projection of gov't power	31	5
Non-Lethal weapons, John Alexander's work with	31	1
NORAD, remote view of	29	9
Noriega, mind control demonstrations to impress	9	14-15
Norman, Governor Montagu, and Nazi doctors	14	13
Nugent, Dr. Arthur, Vacaville chief psychiatrist	7	8
O'Leary, Hazel	41	16-17,19
O'Neil, Tip, mind control work done on	31	2-3
O, the Story of	9	1-16
October Surprise, the	33	17
<i>Offensive Microwave Weapons</i> , paper by Girard	35	1
Office of Naval Intelligence, primary role of	37	19
Officer Candidate School and Project Monarch	11	9
Offutt Air Force Base, strange activities at	14	11
Offutt Air Force Base, Col, Michael Aquino and	14	16
Olson, Dr. Frank, death of	6	2-3



## Master Index for Researchers Edition of Operation Mind Control

Description	CH	PG
Monarch survivor, typical appearance of a	11	10
Monarch, project, as offshoot of MKULTRA	9	1
Monitoring human emotions, location and behavior	29	20
Monotonous rhythms and hypnotic induction	28	5
Moore, James L., RHIC-EDOM researcher 1975	28	2
Moral conviction, mind control elimination of	11	6
Morocco, mind control facility in	26	5
Morris, Janet	31	7-8
Morse Allen, 1954, hypnosis as reliable operational tool	30	1
Mothers of Darkness, Marionette Program subset	11	13
Motion Picture Country Hospital, Calabasas, Calif.	12	7
Mount Shasta, Paramilitary mind control projects at	9	11
Mount Sinai Hospital, drug related work, CIA	7	3
MPD and personality switching, subject unaware of	30	10
MPD constitutes 20% of abducted people (Mack)	39	1
MPD survival phenomena, attaching programming to	30	11
MPD, Multiple Personality Disorder	9	1
Multi-level programming, Castillo example of	20	4-5
Multiple Personality Disorders, discussion of	13	1
Multiple Personality Disorders, unusual abilities of	9	2-3
Murder for pay, 1976 study on public tendencies	25	3
Music personalities in Tennessee and drug dealing	14	11
Mutliple Personality Disorders, clinical aspects of	13	14
Narco-hypnotic interrogation, 1952 CIA Memo on	7	4
Narcobypnosis, percentage of people susceptible to	7	11
Narut, Thomas, and Naval mind control programs	19	1
National Institute of Mental Health and the CIA	7	9
National Program Office (NPO) and mind control	37	6
National Science Foundation as CIA subcontractor	7	9
National Security Act as a cover for cryptocracy	41	17
National Security Act precedence over Bill of Rights	13	13
National Security Act, repeal necessary of the	41	4,9-20
National Security Agency and domestic monitoring	16	5
National Security Agency, formation in 1952 of the	32	13
National Security obstruction of justice, example	15	8-11
NATO Conference on "Dimensions of Stress"	19	1
Naval "value of life" study	19	6

Master Index for Researchers Edition of Operation Mind Control

Description	CH	PG
Phillips, Mark, Project Monarch researcher	11	2
Phonetic embedded commands, use of	33	18
Photographic memory lock through programming	11	6
Photographic memory, enhancement of, Tinker AFB	9	9
Physical abilities of separate personalities in MPD	9	3
Physical capabilities, reprogramming	11	6
Pinneo, Dr. Lawrence, Stanford Research Institute	27	11
Platonist epistemology, NWO	38	23
Police use of mind control	25	10
Pornographic filming using Monarch sex slaves	12	9
Power elite, analysis of the nature of	36	13
Power, levels of, relationship to program layers	11	13
Powers, Francis Gary, Moscow trial of	3	4-6
Prefrontal ultrasonic treatment	28	4
PREMA, scanning individual frequency signature	37	17-18
Presidio mind control research facility, programming	30	12
Pribram, Karl H., <i>Rethinking Neural Networks</i>	36	1,12
Probability density and field gradients in thought	36	2
Programming in the ritual abuse survivor	11	14
Programming of "UFO Abductees" and Aquino	38	18
Programming, theme-based, example of	9	8
Project "Detection of Deception", U.Indiana, Navy/CIA	7	13
Project 63, DoD Importation of Nazi Germans to US	11	2
Project Artichoke Committee, composition of	4	4
Project Artichoke evolution into Project MKULTRA	7	6
Project Belfry, controls open fire on the public	37	20
Project Bluebird, description of	7	4
Project Bluebird, renamed Project Artichoke	7	4
Project Camelot	19	6
Project Dancer	37	20
Project Greenstar (Chapter)	38	1
Project HAARP	29	17-19
Project HIGH TONE	37	18-20
Project Jedi, 1983, US Army Psyops, Alexander	30	7
Project MKDELTA, biochemical use in	7	6
Project MKDELTA, experimental areas & scope	7	7
Project MKDRACO	37	17,20

## Master Index for Researchers Edition of Operation Mind Control

Description	CH	PG
<b>Olson, Dr. Frank, experiments on</b>	7	1-3
<b>Omega programming, Monarch</b>	11	12
<b>Omega, suicide/death programming</b>	40	11-12
<b>Only One Mind For My Country (Chapter)</b>	2	1
<b>Operant conditioning, description of</b>	18	4
<b>Operation "Hot August Night"</b>	37	21
<b>Operation "Yellow Lodge", MC on Reservations</b>	37	15
<b>Operation Mind Control, 1938-1968 Objectives</b>	1	5
<b>Operation Mind Control, David Emory tapes called</b>	35	14
<b>Operation Paperclip, relationship to cryptocracy of</b>	10	8
<b>Operation Pique, CIA, microwave signals in ionosphere</b>	31	8
<b>Operation Shamrock, NSA</b>	16	5
<b>Oregon, powerful 1978 signal over, data on</b>	29	7
<b>Organizational Effectiveness School, the</b>	30	7
<b>Organized crime, CIA and sex slave training</b>	9	8
<b>Oscillating field research, University of California</b>	28	4
<b><i>Osiris Complex</i>, Case Studies in MPD</b>	13	6
<b>OSS and beginnings of CIA, description of</b>	17	2-11
<b>Oswald, Lee Harvey, COM-12 analysis of</b>	37	10
<b>Pain perceived as pleasure in MPD dissociative process</b>	30	11
<b>Pain, storage of, connection to conscious processes</b>	36	2
<b>Paranormal ability manifestation from cell transform</b>	29	22
<b>Passive-Aggressive Personalities as best killers</b>	19	3
<b>Past activity review under drug sessions (Artichoke)</b>	7	5
<b>Pavlov, 1927 work with conditioning</b>	18	1
<b>Pavlov, work of, European and Russian views of</b>	18	2
<b>Peace through religious mind control, concept of</b>	9	13
<b>Pedophile kidnappings, CIA/FBI, evidence for</b>	36	7
<b>Perlea, Fritz</b>	31	13
<b>Persinger, Dr. Michael, EM production of ET reality</b>	29	25
<b>Personal Radio Electromagnetic Frequency Allocation</b>	37	17-19
<b>Personality as pattern of response to stimulation</b>	36	1-2
<b>Personality characteristics, using EMF to change</b>	29	23
<b>Personality Disorder, Multiple (MPD)</b>	9	1
<b>Personality switching, MPD unawareness of</b>	30	10
<b>Peter Pan's Never Never Land, control theme of</b>	9	9
<b>Pettit, James, victim of mind control, story of</b>	35	9-13

## Master Index for Researchers Edition of Operation Mind Control

Description	CH	PG
Radiation experiments, 1994 controversy over	41	17
Radio and television as mass hypnosis devices	28	5
Radio Hypnotic Intra-Cerebral Control RHIC	28	1-12
Rainbow programming	11	14
Rand 1949 recommendation on use of ECT	27	3
Rand analysis of mind control defense in 1949	7	10
Rand Corporation Report on <i>Cominform Techniques</i>	4	8-13
Reagan administration ties to Vatican	9	4
Reagan, President, sexual proclivities of	9	13
Recruitment of children for ritual purposes	15	1
Redstone Arsenal, mind control programming at	9	8
Reductionist model, medicine as the medical model	13	6
Reed, Dr. Adam, computer-brain interface work of	27	11
Reinhard Gehlen Organization and PSYOPS	37	10
Remote control of the brain, perfection of techniques	27	7
Remote transmission with manipulative psi generator	29	24-25
Remote viewing use by the US in Gulf War 1991	31	9
Remote viewing, potential military applications of, list	31	10
Remote viewing, use to detect specific research	31	10
Report from Iron Mountain	17	11
Report from Iron Mountain, analysis of report called	38	1-7
Reproduction of cerebral tissue by direct energy beam	29	23
Reproductive problems and EM radiation	29	2
Retraining of criminals as government assassins	19	1
RHIC -EDOM programming stages, description of	28	2-3
RHIC-EDOM, 1951 CIA memorandum on	28	4
RICO conspiracy, shadow government as a	33	17-18
Right wing v. Left wing groups	25	11
Ritalin, mind control applications and	5	2
Robot soldiers, training at Mount Shasta	9	11
Rockefeller Report to the President on CIA Activities	6	1-2
Rockefeller Report, Bowart/Marks evidence request	7	1
Rockefeller University, computer-brain interface work	27	11
Romney, George, brainwashing statements of, 1967	3	10
Roper poll in 1993 and alien abduction reports	39	1
Rose, Dr. Steven, biochemist	28	7
Ross, Dr. Colin A, on Dissociative Identity Disorders	36	3

## Master Index for Researchers Edition of Operation Mind Control

Description	CH	PG
<b>Project MKHATTER</b>	37	17,20
<b>Project MKULTRA, evolvement from ARTICHOKE</b>	7	6
<b>Project Monarch (Chapter)</b>	11	1-19
<b>Project Monarch programming, description of</b>	9	5
<b>Project Monarch slaves, two general groups</b>	14	17-18
<b>Project Monarch, as offshoot of MKULTRA</b>	9	1
<b>Project Monarch, four levels of behavior modification</b>	11	6
<b>Project Monarch, victim breakdown profile</b>	11	10
<b>Project National Interest, DoD Project 63</b>	11	2
<b>Project Pandora, CIA program known as</b>	29	4
<b>Project Reach</b>	37	20
<b>Project River Styx, CIA/Pentagon, MW weaponry</b>	29	5-6
<b>Project Watchtower</b>	37	20
<b>Project XENO</b>	37	18-20
<b>Propaganda and the art of disinformation</b>	3	6
<b>Propaganda scheme of the power elite, review of the</b>	36	13
<b>Prouty, L. Fletcher, report on mind control abuse</b>	36	12-13
<b>Prouty, L. Fletcher, background additional data</b>	41	2-3
<b>Pseudo-orientation in time, definition of</b>	30	6
<b>Pai-amplifier and data units, development of</b>	29	24
<b>Pai-weapon experiments at Dachau camp</b>	29	24
<b>Psychedelic revolution, government closure of the</b>	5	12
<b>Psychiatry, dissociation and mind control, historical</b>	36	3-6
<b>Psychic effects under MW attack before brain death</b>	29	22-23
<b>Psychic neuron disruptor, discussion of</b>	31	2
<b>Psychic weapons, Russian, description of</b>	29	24
<b>Psychocivilized Society, Delgado's view of the, 1974</b>	35	13
<b>Psychological entry and control of the individual</b>	7	12
<b>Psychological warfare comes home to America</b>	17	12
<b>Psychological warfare, WWII changes in</b>	17	2
<b>Psychosurgery experiments of the VA, 1970's</b>	7	9
<b><i>Psychotechnology: Electronic Control of the Mind</i></b>	29	20
<b>Psychotronic operational weaponry of the US Army</b>	10	1
<b>Pulsing light and sound in programming</b>	40	7
<b>Quantum Holographic Neural Technology</b>	36	12
<b>Quantum neurodynamics as consciousness mechanism</b>	36	1-2
<b>Racial hatred, training in</b>	14	19

Master Index for Researchers Edition of Operation Mind Control

Description	CH	PG
Shadow government, murders committed by the	33	17
Shielding experiments with mind control signals	16	7
Sight through opaque barriers, microwave production	29	22
Sirhan Sirhan and death of Robert Kennedy	24	1-15
Sirhan Sirhan, COM-12 analysis of	37	10
Sisters of Light, Marionette Programming subset	11	13
Skinner's research, nature and results of	18	5
Skinner, B.F., operant conditioning and	18	4
Sleeper Agent (Chapter)	26	1
Slowing of thought and speech by EM effects	16	12
Smith, George E., Viet Cong brainwashing of	3	2
Smith, Walter B, CIA Director, 1952	38	19
Snuff movies, use of Beta programmed people in	11	9
Snyder, Dr. Solomon, Johns Hopkins, BZ commentary	5	15
Social conditioning paradigm, Leary on aspects of	29	20
Social Movements Recovery Center (SMRC), the	11	11
Sodium pentathol, use in interrogation of, by CIA	7	4
Sodium/Lithium powered HF transceiver implants	11	7
Somnambulistic hypnotic induction frequency 1.2cps	26	15
Sonic beam use to destroy neural tissue	28	4
Sonic manipulations of the brain	18	9
Sound induction into the human brain	29	9
Soviet experiments in EM sleep induction	28	5
Soviet scalar mind control weaponry, existence of	11	4
Space and Biology Lab of University of California	27	7
Special Defense Interrogation Program, CIA	7	11
Spin programming, memory manipulation using	9	7
Split-brain programming, procedure of	11	13
Stanford Research Institute, mind reading research	27	10
Star Wars metaphors, adoption by technocrats of	30	13
State Institute of Experimental Psychology, Moscow	4	8
Sterility due to microwave irradiation	28	5
Stimociever, use of	27	6
Stimulus-controlled behavior and microwave radiation	29	3
Stockholm International Peace Research Institute	28	5
Stockholm Syndrome, reversal programming and the	11	8
Stonehill, Paul, research on psychic weapons	29	22

## Master Index for Researchers Edition of Operation Mind Control

Description	CH	PG
Ruby, Jack	22	1-4
Russbacher, Gunther	33	20-21
Ryan, Leo, Congressman, murder of, reasons for	32	4-5,18,19
S-Force Operations	37	8
Sadistic ritual "A Most Dangerous Game"	9	5
San Diego Naval Neuropsychiatric Laboratory	19	3
Sandia Corporation demonstration of ESB	27	4
Sandoz Laboratories, LSD manufacturing by	5	2
Satanic "reversal" programming	11	8
Satanic abuse reports and connection with alien cases	39	8
Satanic Church, Aquino, description of	10	11-19
Satanic ritual use to traumatize under Monarch	9	5
Satanism dependence on existence of Christianity	9	13
Satellite driven Theta programming	11	7
Scalar mind control weaponry, Soviet	11	4
Schien, Dr. Edgar, MIT study of returned POWs	3	9
Scientists importation of Fascist, US DoD project	11	2
Scientology, Church of, 1993 IRS recognition of	5	1
Screening of mail and calls coming into the US	16	5
SDI mind control and creation of robot soldiers	9	11
Secondary Post Traumatic Stress Disorder, Therapist	36	8
Secrecy and the Cryptocracy	41	18
Secrecy supports existance of Cryptocracy	17	15
Secret war over secrecy, Washington's	41	6
<i>Secrets of the Sith</i> , Aquino book called	10	19
Sedation of the population, massive program for the	37	21
Self-destructive killers, mind control training of	11	6
Self-induced suicide, subconscious reprogramming and	11	5
Self-stimulation of the brain, U. California work	27	5
Senate Subcommittee on Constitutional Rights, 1971	7	9
Senses, electromagnetic blocking of all	35	17
Serial killings and mind control programs	11	5
Serial killings, increase in number of	13	4
Serum triglyceride increase with ELF field exposure	26	14
Sexual appetite, programming of child-like	11	8
Sexual feelings associated with brain stimulation	27	5
Sexual programming under Monarch mind control	11	6

## Master Index for Researchers Edition of Operation Mind Control

Description	CH	PG
Theta Programming and biomedical telemetry	11	7
Third Reich in the United States, Nazis and the	32	13-15
Thornburgh, Richard	9	8
Thought reading through implants, discussion of	16	11
Thought train as a propogating wave-packet	36	2
Thought transfer, "mirror matching" to achieve	30	4-5
Thought, perception as "audible sound"	35	18
Time disorientation, definition of	30	6
Tinker Air Force Base, mind control programming at	9	9
Trance, interrogation and amnesia, techniques of	7	5
Transceiver, sodium/lithium HF implantable	11	7
Trauma-based mind control and the 21st century	11	10
Trigger, use with specific verbal commands	9	7
Tuned in to a Mental Radio (Chapter)	16	1-12
U.S. Army Intelligence and Security Command, the	30	7
UFO abduction experience on hippocampus irradiation	29	25
UFO experiences, possible relationship to mind control	38	7-24
Ultrasonic Intra-Cerebral Control UICC	37	16
Ultrasonic research, CIA, 25 years of	25	8
Ultrasonic research, University of Illinois, 1961	28	4
Ultrasonic research, University of Pittsburg	28	4
Ultrasonics, early 1949 hint of Soviet use of	7	10
Ultrasound, early part of CIA SD Interrogation Pgm	7	11
Unconscious, communication using language of the	30	4-5
Unconscious, language of, word definitions	30	6-7
Undesirables, Nazi elimination of, WWII and US now	32	15
United States Global Strategy Council (USGSC)	31	4
University of Indiana, Naval drug project at	7	13
University of Michigan, Mental Health Research	18	8
University of Minnesota USAD/CIA drug control study	7	13
University of North Florida, IPTM social deviancy	11	11
US Army drug-based psychological control study	7	13
US Navy use of its personnel as guinea pigs	19	2
USAF University of Minnesota psycho control study	7	13
Vaccinations given to Monarch slaves	13	5
Vallee, Dr. Jacques, <i>Messengers of Deception</i>	38	7
Vast Active Living Intelligence System (VALIS)	28	12



**Master Index for Researchers Edition of Operation Mind Control**

Description	CH	PG
Stubblebine, J.M., California Health Director	39	15
Stubblebine, Maj.Gen Albert, and PSITECH	31	9
Stubbs, Maj.Gen Marshall, 1961 speech to Congress	5	16
Stun guns, use in programming of	9	7
Subconscious mind, personal interaction with the	24	13
Subconscious mind, reprogramming over genetic mind	11	5
Subconscious, communication with as "future pacing"	10	8
Subconscious, existence only through	9	8
Subconscious, neuron paths to, acoustic effects on	11	7
Subliminal influence of brain activity with infrasound	10	7
Subliminal messages with key words in white noise	31	13
Substitutes for the Functions of War	38	5-6
Suggestibility of humans, Estabrooks comments on	4	7
Super High Frequency Weapons (SHF) Army 1972	35	15
Supercoustic non-lethal weapons, superacids	31	7
Surrender of self-responsibility, social process of	28	10
Symbolic modeling study, Office of Naval Research	19	5
System for production of violent anti-social people	18	10
Targeting, electromagnetic, rationale for	16	5
Tattoo, Project Bluebird	7	4
Tavistock Institute and Nazi doctors	14	13
Telepathic wars, US and Soviet Union	27	15-17
Telepresence surveillance system, CIA development of	35	1-2
Television program use as control infrastructure	9	4
Terrorists, mind control training of	11	6
Teala, gravity technology	38	23
Teala, Nicola	29	2
<i>The Controllers</i> , manuscript by Martin Cannon	38	14-16
The Council	12	9,12-13
The Finders	15	1-11
The Foundation	40	17
The Guinea Pig Army (Chapter)	6	1
The Lone Nuts (Chapter)	21	1-11
The MKULTRANS (Chapter)	7	1
The Patriotic Assassination (Chapter)	25	1-14
<i>The Warriors Edge</i> , John B. Alexanders book called	30	7
Theme-based programming, example of	9	8

## Master Index for Researchers Edition of Operation Mind Control

<b>Description</b>	<b>CH</b>	<b>PG</b>
<b>Wizard of OZ, as programming infrastructure</b>	<b>9</b>	<b>3</b>
<b>Woodpecker signal, Soviet 1976 detection of the</b>	<b>29</b>	<b>8</b>
<b><i>Writings of a Zulu Witch Doctor</i>, quote from</b>	<b>11</b>	<b>3</b>
<b>Younger, Michael, appearance in 1992</b>	<b>37</b>	<b>21</b>
<b>Youngstown, Ohio sex slave training camp, CIA</b>	<b>9</b>	<b>8</b>
<b>Zaret, Dr. Milton, and microwave effects testimony</b>	<b>28</b>	<b>6</b>
<b>Zombie phenomenon, the</b>	<b>20</b>	<b>7</b>

## Master Index for Researchers Edition of Operation Mind Control

Description	CH	PG
<b>Verona, Dr. Jack, RAVEN</b>	31	15
<b>Very Low Frequency Sonic research</b>	28	4
<b>Veterans Administration psychosurgery experiments</b>	7	9
<b>Vials, Joe, story of CIA and MI6 brainwashing</b>	26	19-20
<b>Victorian, Armen , CIA dirty tricks on</b>	31	16-17
<b>Video insertion of programming frames</b>	26	13
<b>Vietnam, addiction of US military in</b>	5	13
<b>Vietnam, interesting devices developing during</b>	16	7
<b>Viken, Dr. James O, work on MC victims, discoveries</b>	36	7-8,14
<b>Virtual reality helmets</b>	11	3
<b>Virus, synthetic, CIA 1953 interest in</b>	13	5
<b>Viruses, micromachines approaching size of</b>	28	10
<b>Visual subliminal techniques, television</b>	26	13
<b>Visual triggers, Monarch program, examples of</b>	11	19
<b>Voices in the head, chapter describing</b>	16	1-12
<b>Vulpea, Victoria, case of</b>	13	2-16
<b>Waco as an important tool of psyops campaign in US</b>	33	11
<b>Waco, Attorney Paul Wilchers letter to Janet Reno on</b>	33	1-23
<b>Waco, Delta Force operations at</b>	33	12-13
<b>Waco, nerve gas use at</b>	33	14
<b>Waco, the fire in (Chapter)</b>	33	1-23
<b>Walter Reed Institute Microwave Research Dept</b>	29	3
<b>War on Drugs, production of consumption through the</b>	10	8
<b>Warren Commission, conflicting testimony during the</b>	21	3-7
<b>Watkins, J.G., 1947 hypnotic induction experiments of</b>	4	4
<b>Watson, John B., behavioral experiments of</b>	18	3
<b>Wavie files</b>	16	1
<b>Wells, Wesley Raymond, hypnosis experiments, 1930's</b>	4	5
<b>Wendy, Dr., University of Rochester Navy/CIA drug</b>	7	13
<b>West, Dr. Louis Jolyon, University of California</b>	32	1
<b>Western synthetic environment and structure</b>	18	2
<b>Wiener, Norbert, "father of cybernetics"</b>	27	11
<b>Wilcher, bizarre microwave murder of</b>	33	19
<b>Will, human, and commission of anti-social acts</b>	4	7
<b>William Jennings Bryan III, Institute of Hypnosis</b>	19	8
<b>William Lyne, <i>Space Aliens from the Pentagon</i></b>	38	23-24
<b>Without Knowledge or Consent (Chapter)</b>	4	1

## MIND CONTROL BIBLIOGRAPHY

### INDEX

BRAINWASHING	1
CULT & MC	1
OPERATION MC	1
BEHAVIOR MODIFICATION	2
DRUGS	2
HYPNOSIS	2
HYPNOSIS & MC	2
BRAIN	2
EEG (ELECTROENCEPHALOGRAPH)	3
ENDOCRINOLOGY	3
BRAIN ATLAS	3
BRAIN & MEMORY	4
E.S.B. (ELECTRIC STIMULATION OF BRAIN)	4
ESB -> MAN & THERAPY	10
VISUAL PROSTHESES & E.S.B.	16
AUDITORY PROSTHESES & E.S.B.	17
TRANSNASAL APPROACH	17
BIO-TELEMETRY	17
ELE. HOUSE ARREST	21
NAVIGATION SATELLITE	22
ELE->SCALP-> CORTEX ( TRANSCUTANEOUS STIM )	22
HEAD -> MAGNETIC FIELD (MEG)	23
MIND-READING MACHINE	23
MAGNETIC -> BIOEFFECTS	23
MSB(MAGNETIC STIMULATION OF BRAIN)	23
MOSCOW SIGNAL	24
MICROWAVE & ELF	24
MW -> AUDITORY	30
ACOUSTICS	31
EM -> HEART	31
MW -> EEG	32
MW -> BBB	32
MW -> CA2+	32
BIORHYTHMS	33
EM WEAPONS	33
INTERNAL SECURITY EQUIPMENT	34
EM ->! VICTIMS	34
ULTRASONICS	34
SUBLIMINAL	34
TINNITUS	35

### BRAINWASHING

- Brown, J.R.C. , *Techniques of Persuasion : From Propaganda to Brainwashing.* London: Penguin Books, 1963. (from J.Into Madness)  
Hunter, Edward (1956) *Brainwashing.*  
Sargent, William , *Battle for the Mind.* Privately printed edition. Ashford: The Invicta Press, 1984. (from J.Into Madness)  
Sargent, William, *The Mind Possessed.,* Privately printed edition. Ashford: The Invicta Press, 1984. (from J.Into Madness)  
Sargent, William, *The Unquiet Mind,* Privately printed edition. Ashford: The Invicta Press, 1984. (from J.Into Madness)

### CULT & MIND CONTROL

- Barker E (1984) *The Making of a Moonie:choice of brainwashing?* Oxford, NY (HR 121-A1)  
Conydon B & Hubbard LR, Jr., *messiah or madman ?*, Secaucus, N.J., 1987 (GK445-A12)  
L.Ron Hubbard LR (1978) *The Science of Survival* (see "Pain-Drug-Hypnosis" 1951/W.Bowart, p.74)  
Robert Eringer (1985) *Secret Agent Man.* Rolling Stone 1111-1112

### OPERATION MIND CONTROL

- Intruders (1966?), see 1966 quoted by Senator Edward V. Long  
Bowart, Walter (1978) *Operation Mind Control and Operation Mind Control, How the Cryptocracy Will Psychocivilize You* (1994)

- Burdick, Dorothy (1982) *Such Things Are Known*. Vantage Press, NY
- Bylinsky, Gene (1969) *Mood Control*. NY: Charles Scribner's Sons.
- Chavkin, Samuel (1978) *Mind Stealers* (Houghton Mifflin CO., Boston)
- Collins, Larry (1990) *Mind Control* Playboy, January 1990
- Horrock N (1977) A dat show: 14 year project on controlling human behavior. *New York Times* 1977.7.21.
- Hunt, Linda (1991) *Secret Agenda*. NY, St.Martin's Press. [ordered 940217]
- Keeler, Anna (1989) *Remote Mind Control Technology. Full Disclosure* 15: 1-14.
- Lawrence, Lincoln (1967) *Were We Controlled?* University Books, NY
- London, Perry (1969) *Behavior Control*. New York, Harper & Row.
- Moore, James (1975) *Modern People*, Aug.18, 1975 (re : RHIC-EDOM)
- Marks, John (1977) *The Search for the Manchurian Candidate*
- Pines, Maya (1973) *The Brain Changers - Scientists & The New Mind Control*. NY: Harcourt Brace Jovanovich, Inc.
- Ranelagh, John (1986) *The Agency*. ISBN 0-671-44318-6
- Ronald M. McRae (1984) *Mind Wars* (NY, St.Martin's Press)
- Russell-Mannings, Betsy (1989) *Mind Control in a Free Society*.
- Russell-Mannings, Betsy (1989) *The Microwave Deception*.
- Schefflin A & Opton E (1978) *The Mind Manipulators*. London. Paddington Press.
- Schrag, Peter (1978) *Mind Control*. NY: Pantheon Books. [Burdick(1981)]
- Vankin, Jonathan (1990) *Conspiracies, Cover-ups and Crimes* (Dell)
- Valenstein, Elliot (1973) *Brain Control : A critical examination of brain stimulation and psychosurgery*. NY, Wiley
- US News & World Report 1994.1.24 & letters 2.21. [drug/ele ->]
- Watson P (1978) *War on the Mind: The Military Uses and Abuses of Psychology*. NY: Basic Books, Inc. [Burdick(1981)]
- Weberman AJ (1980) *Mind Control: The Story of Mankind Research Unlimited, Inc. Covert Action* 9, June. [Burdick(1981)]
- Zimbardo PG et al (1973) *The Mind Is a Formidable Jailer: A Pirandellian Prison*. *New York Times Magazine* 1973.4.8. [Burdick(1981)]

## BEHAVIOR MODIFICATION

- Alexander (1975) *The search for a general theory of behavior*. *Behav. Sci.* 20: 77-100.
- BBS (1984) 7: 4 [B.F.Skinner]
- Bijou SW & Ribes-Inesta E (1972) *Behavior Modification: Issues and Extensions*. NY: Academic Press. pp.157. [review: *Fed.Prob.* 1974, 38:70]
- Camellion R (1978) *Behavior Modification*. Paladin Press. pp.129.
- Citizen's Inquiry on PCJII (1974) *The future of parole*. *The Prison Journal*. Spring-Summer 1974.
- Hilts PJ (1974) *Behavior Mod*. NY: Harper's Magazine Press. pp.242. [review: *Feb. Prob.* 1975, 39: 66]
- Holland JG (1974) *Behavior Modification for prisoners, patients and other people as a prescription for planned society*. *The Prison Journal*. Spring-Summer 1974. [review: *Feb.Prob.* 1976, 40: 68. re. START Program]

## DRUGS

- Collins, Arne (1988) *In the Sleep Room*. ISBN 0-88619-198-X
- Lee MA & Shlain B (1985) *Acid Dreams: The CIA, LSD, and the Sixties*. Groves Press. [Japanese version, 1992, pp.423.]
- Thomas, Gordon (1989) *Journey Into Madness* (NY, Bantam)
- Weinstein, Harvey (1988) *A Father, A Son and the CIA* ISBN 1-55028-116

## HYPNOSIS

- Edmonston, Jr., W.E. (1986) *The Induction of hypnosis*. Ny. 015B 237-A11
- Gindes, B.C. (1973) *New Concepts In Hypnosis* [W.Bowart(78), p.62]
- Spanos NP (1986) *Hypnotic behavior : a social-psychological interpretation of amnesia, analgesia, and "trance logic"* BBS 9: 449-502 (BBS 11: 712-716 commentary)
- Spiegel, N., Shor, J., & Fishman, S. (1945) *An hypnotic ablation technique for the study of personality development*, *Psychosom. Med.* 7, 273. [Penfield(1952)pp.192]
- Zeig JK ed (1982) *Ericksonian approaches to hypnosis and psychotherapy*. NY. (M15-A6249)

## HYPNOSIS & MIND CONTROL

- Richard Condon (1958) *Manchurian Candidate* (McGrow Hill, NY)
- Donald Bain (1976) *The Control of Candy Jones*
- Claire Sterling (1983) *The Time of the Assassin* (NY: Holt, Rinehart and Winston)
- Paul Henze (1983) *The Plot to Kill the Pope* (NY: Charles Scribners & Sons)

## BRAIN

- Bradshaw JL & Nettleton NC (1981) The nature of hemispheric specialization in man. *BBS* 4: 51-91.
- Brodal A (1947) The hippocampus and the sense of smell. *A review. Brain* 70: 179-222.
- Calder, Nigel () *The Mind of Man*. [Akwei vs NSA]
- Eccles & McIntyre (1951) Plasticity of mammalian monosynaptic reflexes. *Nature* 167, 466-468.
- Ferguson M (1973) *The Brain Revolution: The Frontiers of Mind Research*. NY: Taplinger Publishing Co.
- Heller, John H. (1963) *Of Mice, Men and Molecules*. [Akwei vs NSA]
- Hooper, Judith () *The 3-Pound Universe*. [Akwei vs NSA]
- Johnson, George () *In the Palaces of Memory*. [Akwei vs NSA]
- McGlone J (1980) Sex differences in human brain asymmetry: a critical survey. *BBS* 3: 215-263.
- Panksepp J (1982) Toward a general psychobiological theory of emotions. *BBS* 5: 407-467. [incl. commentaries of Delgado, Heath]
- Ojemann GA (1983) Brain organization for language from the perspective of electrical stimulation mapping. *BBS* 6: 189-230.
- Psaltis D. et al (1990) Holography in artificial neural networks. *Nature* 343, 325.
- Puceatelli R & Dykes RW (1978) Sensory cortex and the mind-brain problem. *BBS* 1: 337-375.
- Restak, Richard () *The Mind*. [Akwei vs NSA]
- Taylor TJ & DiScenna P (1984) The topological anatomy of the hippocampus: a clue to its function. *Brain Res. Bull.* 12: 711-719.
- Uematsu S et al (1992) Localization of sensorimotor cortex: the influence of Sherrington and Cushing on the modern concept. *Neurosurgery* 30(6): 904-913.
- US News and World Report 1/2/84 [EM brain stim]
- Weiner RD (1984) Does electroconvulsive therapy cause brain damage? *BBS* 7: 1-53. [incl. comment by Health]

## EEG

- Berger, H. (1929) über das elektroencephalogramm des menschen. *Archiv. Psychiatr.Nervenkrank.* 87:527-570.
- Berger, H. (1935) über das elektroencephalogramm des menschen. *Archiv. Psychiatr.Nervenkrank.* 103:444-454.
- Berger, H. (1938) über das elektroencephalogramm des menschen. *Archiv. Psychiatr.Nervenkrank.* 108:407-431.
- Elul, R. (1962) Dipoles of spontaneous activity in the cerebral cortex. *Exp. Neurol* 6, 285-299.
- Elul, R. (1964) Specific site of generation of brain waves. *Physiologist* 7, 125.
- Elul, R. (1972) The genesis of the EEG. *Int. Rev. Neurobiology* 15, 227-272.
- Empson J (1986) *Human brainwaves: the psychological significance of the electroencephalogram*. Houndmills, Basingstoke, Hampshire, Mcmillan
- Lippold O (1973) *The Origin of the alpha rhythm*. Edinburgh, C.Livingstones

## ENDOCRINOLOGY

- Benzinger TH (1969) Heat regulation: homeostasis of control temperature in man. *Physiol. Rev.* 49: 671-759.
- Brown GM & Reeichlin S (1972) Psychologic and neural regulation of growth hormone secretion. *Psychosom. Med.* 34: 45-61.
- Curtis GC (1972) Psychosomatics and chronobiology: possible implications of neuroendocrine rhythms. *Psychosom. Med.* 34: 235-256.
- Daughaday WH (1971) Sulfation factor regulation of skeletal growth: a stable mechanism dependent on intermittent growth hormone secretion. *Am. J. Med.* 50: 277-280.
- Deuguchi Takeo (1979) Circadian rhythms of serotonin N-acetyltransferase activity in organ culture of chicken pineal gland. *Science* 203, 1245-1247.
- Delgado JMR & Hanai T (1966) Intracerebral temperature in freely moving cats. *Am. J. Physiol.* 211: 755-769.
- Frohman LA & Bernardis LL (1968) Growth hormone and insulin levels in weanling rats with ventromedial hypothalamic lesions. *Endocr.* 82: 1125-1132.
- Frohman LA & Bernardis LL (1968) Hypothalamic stimulation of growth hormone secretion. *Science* 580-582.
- Ganong WF, et al (1963) Penetration of light into the brain of mammals. *Endocr.* 172, 962-963.
- Grant L et al (1971) Period of adjustment of rats used for experimental studies. *Nature* 232: 135.
- Hanbury EM (1959) Thyroid function after trauma in man. *Metabolism* 8: 904-912.
- Hardy JD (1973) Posterior hypothalamus and the regulation of body temperature. *Fed. Proc.* 32: 1564-1571.
- Martin JB (1972) Plasma growth hormone (GH) in response to hypothalamic or extrahypothalamic electrical stimulation. *Endocr.* 91: 107-115.
- Martin JB (1973) Neural regulation of growth hormone secretion. *N. Eng. J. Med.* 288: 1384-1393.
- Martin JB et al (1973) Plasma GH responses to hypothalamic, hippocampal, and amygdaloid electrical stimulation; effects of variation of stimulation parameters and treatment with alpha methyl-p-tyrosine. *Endocr.* 91: 1354-1361.
- Mason JW (1968) Overall hormonal balance as a key to endocrine organization. *Psychosom. Med.* 30(II): 791-808.
- Mikolajczyk H (1972) Hormone reactions and changes in endocrine glands under influence of mws. *Med. Lotn.* 39: 39-51.
- Milroy WC & Michaelson SM (1972) Thyroid pathophysiology of microwave radiation. *Aerospace Med.* 43: 1126-1131. @
- Moore, R.Y., et al (1968) Central control of the pineal gland: visual pathways. *Arch Neurol* 18 208-218.
- Nir, I. (1978) Non-reproductive systems and the pineal gland. *J Neural Transm Suppl* 13, 225-244.
- Preslock, J.P. (1984) The pineal gland: basic implications and clinical correlations. *Endocrine Rev.* 5, 282.
- Rosenthal SH (1973) Alterations in serum thyroxine with cerebral electrotherapy (CET). *Arch. Gen. Psychiat.* 28: 28-29.
- Schally AV et al (1973) Hypothalamic regulatory hormones. *Science* 179: 341-350.
- Smuckler EA & Tata JR (1971) Changes in hepatic nuclear DNA-dependent polymerase caused by growth hormone and tri-iodothyronin. *Nature* 234: 37-39.
- Takahashi Y, et al (1968) Growth hormone secretion during sleep. *J. Clin. Invest.* 47: 2079-2090.
- Wurtman, R.J. et al (1963) Melatonin synthesis in the pineal gland: control by light. *Science* 142, 1071.

## BRAIN ATLAS

- Abaira, V., & Handler, P. (1978) Computerized stereotaxic brain atlas. Proc. of the DECUS Congress, 5, 539-541. [Delgado, 1981]
- Berman, A.L. (1968) The Brain Stem of the Cat: A Cytoarchitectonic Atlas with Stereotaxic Coordinates, Univ. of Wisconsin, Madison. [Liebenskind, et al (1973)]
- DeLucchi, M.R., Dennis, B.J., & Adey, W.R. (1965) A stereotaxic Atlas of the Chimpanzee Brain (Pan Satyrus), Univ. Calif. Press, Berkeley, Calif., 78 pp.
- Jasper, H.H., & Ajmone Marsa, C.A., (1954) Stereotaxic Atlas of the Diencephalon of the Cat, Nat. Res. Council Canada, Ottawa. [Siegel, et al (1972)]
- Matsui, T., & Hirano, A. (1978) An atlas of the human brain for computerized tomography. Tokyo, Igaku-Shoin. [Delgado, 1981]
- Matsuno H et al (1988) Microsurgical anatomy of the posterior fossa cisterns. Neurosurgery 23(1): 58.
- Oka et al (1985) Microsurgical anatomy of the superficial veins of the cerebrum. Neurosurgery 17(5): 711.
- Schaltenbrand, G. & Bailey, P. (Eds.) (1959) Introduction to stereotaxis with an atlas of the human brain. Grune and Stratton, New York, 493 p.
- Snider, R.S., & Lee, J.C. (1961) A stereotaxic atlas of the monkey brain (Macaca mulatta). Univ. Chicago Press, Chicago.
- Timurkaynak et al (1986) Microsurgical anatomy of the lateral ventricles. Neurosurgery 19(5)
- Yamamoto et al (1981) Microsurgical anatomy of the 3rd ventricle. Neurosurgery 8(3)

## BRAIN & MEMORY

- Clark CR & Geffen GM (1989) Corpus callosum surgery and recent memory: a review. Brain 112: 165-175.
- Drachman DA & Arbil J (1966) Memory and the hippocampal complex. Is memory a multiple process? Arch Neurol 15: 52-61.
- Drachman D & Onmaya AK (1964) Memory and the hippocampal complex. Arch Neurol 10: 411-425.
- Heit G, Smith ME, Halgren E (1990) Neuronal activity in human medial temporal lobe during recognition memory. Brain 113: 1093-1112.
- Human memory (1987) Human Neurobiology 6(2) cf. Kesner, R.P. (1973) A neural system analysis of memory storage and retrieval. Psychological Bulletin, 80, 177-203.
- McDonough, Jr., J.H. & Kesner, R.P. (1971) Amnesia produced by brief electrical stimulation of the amygdala or dorsal hippocampus in cats. J. comp. Physiol. Psychol. 77, 171-178.
- McGaugh, J.L., & Dawson, R.G. (1966) Time-dependent processes in memory storage. Science, 153, 1351-1358. [-> rat]
- Milner, B. (1954) Intellectual function of the temporal lobes, Psychol. Bull. 51, 42-62.
- Routienbert, A., & Holzman, N. (1973) Memory disruption by electrical stimulation of substantia nigra, pars compacta. Science, 181, 83-86. [-> rat]
- Spanis, C.W. (1981) A.J. Psychiat 138(9), 1177. [ECT & memory]
- Squire LR (1986) Mechanisms of memory. Science 232: 1612-1619.
- Squire LR (1992) Memory and the hippocampus: a synthesis from findings with rats, monkeys and humans. Psychol. Rev. 99: 195-231, 582.
- Tulving, E., & Watkins, M.J. (1973) Structure of memory traces. Psychological Review, 82, 261-275. doi:10.1037/0033-295X.82.3.261
- Wilburn, M.W., & Kesner, R.P. (1972) Differential amnesic effects produced by electrical stimulation of the caudate nucleus and non-specific thalamic system. Experimental Neurology, 34, 45-50. [-> cat]
- Wyers, E.J., Peeke, V.S., Willison, J.S. & Herz, M.J. (1968) Retroactive impairment of passive avoidance learning by stimulation of the caudate nucleus. Exp. Neurol. 22, 350-366.
- Wyers, E.J., & Deadwyler, S.A. (1971) Duration and nature of retrograde amnesia produced by stimulation of caudate nucleus. Physiology and Behavior, 6, 97-103. [-> rat]

## ELECTRICAL STIMULATION OF THE BRAIN (E.S.B.)

- Adams, D.B. (1979) Brain mechanisms for offense, defense, and submission. The Behavioral and Brain Sciences, 2, 201-241. [Gallistel, 1981]
- Adams, J.R. & Prout, B.J. (1962) Transistorized R.F.-coupling unit for biological stimulators. J. Physiol., 162, 9P-10P.
- Adey, W.R., Kado, R.T., & Didio, J. (1962) Impedance measurements in brain tissue of animals using microvolt signals. Exptl. Neurol. 5, 47-66.
- Agnew, W.F., Yuen, T.G.H., Puderz, R.H., & Bullara, L.A. (1975) Electrical stimulation of the brain. IV. Ultrastructural studies. Surgical Neurology, 4, 438-448. (from Delgado, Patterson ed., 1981)
- Akert, K. & Andersson, B. (1951) Acta Physiol. Scand. 22, 281. [-> cat => sleep]
- Akert, K., Koella, W.P. & Hess, R. (1952) Sleep produced by electrical stimulation of the thalamus. Am. J. Physiol. 168T, 260-267.
- Akimoto, H., Nomura, T., Matsui, I., Ishikawa, O., Nakagawa, K. & Mitsushita, T. (1954) On the syndrome induced by electrical stimulation on thalamus. [-> man's sleep] Physiological and Clinical Studies on the Diencephalon. Igaku Shoin, Tokyo.
- Akimoto, H., Takeuchi, S., Shozuka, K. & Negishi, K. (1955) On recruiting Response induced by continuous electrical stimulation in thalamus of cat. Psychiat. Neurol. Jap. 56.
- Akimoto, H., Yamaguchi, N., Okabe, K., Nakagawa, T., Abe, K., Torii, H., & Masahashi, K. (1956) On the sleep induced through electrical stimulation on dog thalamus. Folia Psychiat. et Neurol. Japon. 10, 117-146.
- Alexander, M., & Perachio, A.A. (1973) The influence of target sex and dominance on evoked attack in rhesus monkeys. Am. J. of Physical Anthropology, 38, 543-547.
- Alonso de Florida, F., & Delgado, J.M.R. (1958) Lasting behavioral and EEG changes in cats induced by prolonged stimulation of amygdala. Am. J. of Physiol. 193, 223-229.

- Anand, B.K., & Brobeck, J.R. (1951) Hypothalamic control of food intake in rats and cats. *Yale J. of Biology and Medicine*, Vol.24, 123-140.
- Anand, B.K., & Dua, S. (1956) Electrical stimulation of the limbic system of brain (visceral brain) in the waking animals. *Indian J. Med. Res.* 44, 107-119.
- Andrian, E.D. (1921) *Journal of Physiology* (London), Vol.55, 193.
- Anonymous. (1974) Electrical stimulation of the brain. *Lancet*, 2, 562-564.
- Asanuma H & Sakata H (1967) Functional organization of cortical efferent system examined with focal depth stimulation in cats. *J. Neurophysiol.* 30: 35-54.
- Baldwin, M. (1960) Electrical stimulation of the mesial temporal region. In *Electrical Studies on the Unanesthetized Brain*, 159-76 (Ramey, E.R., O'Doherty, D.S., Eds., Hoeber, New York, 423pp.)
- Bonazzola, S., & Gualtierotti. (1960) Wireless tele-stimulation of the cat's motor cortex with constant stimulation of the cat's motor cortex with constant stimuli. *J. Physiol.* 150, 1-2.
- Buchwald, N.A., & Ervin, R.R. (1956). Behavioral and action potential responses to stimulation of subcortical structures in the unanesthetized cat. *Fed. Proc.*, 15, 27.
- Bursten, B. & Delgado, J.M.R. (1958) Positive reinforcement induced by intracerebral stimulation in the monkey. *J. comp. physiol. Psycho.* 51, 6-10.
- Campbell KSA, Ivans G & Gallistel CR (1985) A microcomputer-based method for physiologically interpretable measurement of the rewarding efficacy of brain stimulation. *Physiology and Behavior.* 35: 395-403.
- Campbell, P.K., Jones, K.E., Huber, R.J., Horch, K.W., & Norman, R.A. (1991) A silicon-based, three-dimensional neural interface: manufacturing processes for an intracortical electrode array. *IEEE Trans. BME*, 38, No.8, 758-768.
- Cannon, B. (1933) A method of stimulating autonomic nerves in the unanesthetized cat with observations on the motor and sensory effects. *Am. J. Physiol.* 105, 366-372.
- Chaffee, E.L. & Light, R.U. (1934) Electrical excitation of the nervous system - introduction a new system of remote control. *Science* 79, 299-300.
- Chaffee, E.L., & Light, R.U. (1934) A method for the remote control of electrical stimulation of the nervous system. I. The history of electrical excitation. *Yale J. of Biol. & Med.*, 7, 83-128. 83;441[coil => coil]
- Chaffee, E.L. & Light, R.U. (1935) Supplementary notes on the remote control of electrical stimulation of the nervous system. *Yale J. Biol. Med.*, 7, 441-450.
- Chardack, W.M., Gage, A.A., & Greatbatch, W. (1960) *Surgery*, 48, 643-654. [heart pacemaker w/o charging from outside]
- Clarke, Edwin, & Kenneth Dewhurst (1972) *An Illustrated history of brain function*, Berkeley, University of California Press., 154p. 06(SC 364-37) Localisation. 113-148.
- Clark, G. & Ward, J.W. (1949) Responses elicited by combined stimulation of pairs of fixed electrodes in the unanesthetized monkey. *Am. J. Physiol.*, 158, 474.
- Clark, S.L. & Ward, J.W. (1937) Electrical stimulation of the cortex cerebri of cats: Responses elicitable in chronic experiments through implanted electrodes. *Arch. Neurol. Psychiat.*, 38, 927. [small induction coil]
- Clark, S.L. (1941) *Science*, 94, 187. [the first electrode implant by Ewald]
- Clark, S.L. & Ward, J.W. (1941) The influence of stimulus strength and duration on the responses from cortical stimulation through implanted electrodes. *Am. J. Physiol.*, 131, 650.
- Clarke RH, (1920) *Investigation of the Central Nervous System*, Johns Hopkins Press, Baltimore, Md., pt. 1, pp. 1-159, plates 1-XXVII. [the stereotaxic instrument, Lilly (1958)]
- Cohen BD, Brown, G.W., & Brown, M.L. (1956) Avoidance learning motivated by hypothalamic stimulation. *Fed. Proc.* 15, 37.
- Cooper R (1966) Toxic effects of intracerebral electrodes. *Med. Biol. Engng* 4, 575-581.
- Crow, H.J., Cooper, R., & Phillips, D.G. (1961) Controlled multifocal frontal leucotomy for psychiatric illness. *J. Neurol. Neurosurg. Psychiat.* 24, 353-360.
- Curry, M.J., "The effects of stimulating the somatic sensory cortex on single neurones in the posterior group (PO) of the cat," *Brain Research*, 44 (1972) 463-481.
- Delgado, J.M.R., & Livingston, R.B. (1948) Some respiratory, vascular and thermal responses to stimulation of orbital surface of frontal lobe. *J. of Neurophysiology*, 11, 39-55.
- Delgado, J.M.R. (1952) Permanent implantation of multilead electrodes in the brain. *Yale J. of Biol. Med.*, 24, 351-358.
- Delgado, J.M.R. (1952) Responses evoked in waking cat by electrical stimulation of motor cortex. *Amer. J. Physiol.*, 171, 436-446.
- Delgado, J.M.R., Hamlin, H., & Chapman, W.P. (1952) Technique of intracranial electrode placement for recording and stimulation and its possible therapeutic value in psychotic patients. *Confinia Neurologica*, 12, 315-319.
- Delgado, J.M.R. & Anand, B.K. (1953) Increase of food intake induced by electrical stimulation of the lateral hypothalamus. *Am. J. Physiol.*, 172, 162-168.
- Delgado, J.M.R., Roberts, W.W. & Miller, N.E. (1954) Learning motivated by electrical stimulation of the brain. *Am. J. Physiol.*, 179, 587-593.
- Delgado, J.M.R. (1955) Cerebral structures involved in transmission and elaboration of noxious stimulation. *J. Neurophysiol.* 18, 261-275.
- Delgado, J.M.R. (1955) Evaluation of permanent implantation of electrodes within the brain. *EEG Clin. N.* 7, 637-644.
- Delgado, J.M.R., Rosvold, H.E., & Looney, E. (1956) Evoking conditioned fear by electrical stimulation of subcortical structures in the monkey brain. *J. comp. physiol. Psychol.* 49, 373-380.
- Delgado, J.M.R. (1957) Brain stimulation in the monkey: technique and results (motion picture). *Fed. Proc.* 16, 29.
- Delgado JMR & Hamlin H (1958) Direct recording of spontaneous and evoked seizures in epileptics. *EEG Clin. N.* 10: 463-486. 0601e\_05
- Delgado, J.M.R. (1959) Prolonged stimulation of brain in awake monkeys. *J. Neurophysiol.*, 22, 458-475.
- Delgado, J.M.R. (1959) Transistor timing stimulator. *EEG clin. N.*
- Delgado, J.M.R., & Hamlin, H. (1960) Spontaneous and evoked electrical seizures in animals and humans. In E.R. Ramey & E.S. O'Doherty (Eds.), *Electrical Studies on the Unanesthetized Brain*, New York, Hoeber, pp. 133-158.
- Delgado, J.M.R. (1960) Emotional behavior in animals and humans. *Psych. Res. Rep. Am. psychiat. Ass.*, 12, 259-271.
- Delgado, J.M.R. (1961) Chronic implantation of intracerebral electrodes in animals. In D.E. Sheer (Ed.), *Electrical stimulation of the brain*.
- Delgado, J.M.R. (1961) Evolution of repeated hippocampal seizures in the cat. *EEG clin. N.* 13, 722-733.
- Delgado, J.M.R. (1962) *Pharmacological Analysis of Central Nervous Action*. Oxford: Pergamon, pp. 265-292.



- Delgado JMR & Hamlin H (1962) Depth electrography. *Confin. Neurol.* 22: 228-235.
- Delgado, J.M.R. (1963) Telemetry and telestimulation of the brain. In: L.Slater (Ed.), *Biotelemetry*. Pergamon, New York, 231-249.
- Delgado, J.M.R. (1963) Cerebral heterostimulation in a monkey colony. *Science* 141, 161-63.
- Delgado, J.M.R. (1963) Social rank and radio-stimulated aggressiveness in monkeys. *J. Nervous and Mental Diseases* 114, 383-90.
- Delgado, J.M.R. (1963) Effect of brain stimulation on task-free situations. *EEG clin. N. Suppl.* 24, 260-280.
- Delgado, J.M.R. (1964) Electrodes for extracellular recording and stimulation. In N.L.Nastuk (ed.), *Electrophysiological methods*, Vol. V, Part A: Physical techniques in biological research. New York: Academic Press.
- Delgado, J.M.R. (1964) Free behavior and brain stimulation. *Int.Rev. Neurobiology*, 6, 349-449. *αλδία\_εῖνωδ*
- Delgado, J.M.R. (1965) Sequential behavior repeatedly induced by red nucleus stimulation in free monkeys *Science*, 148 , 1361-1363.
- Delgado →!! bull. New York Times 1965.5.17 p.1 & 20.
- Delgado, J.M.R. (1965) Evolution of physical control of the brain, New York, Am.Museum of Natural History *αλδία\_*
- Delgado, J.M.R. (1965) Chronic radiostimulation of the brain in monkey colonies. *Proc. Intern. Union Physiol. Sci.* 4, 365-371.
- Delgado, J.M.R. (1966) Emotions. *Self-Selection Psychology Textbook*. W.C.Brown.Cubuque, Iowa, 56pp.
- Delgado, J.M.R. (1966) Aggressive behavior evoked by radio stimulation in monkey colonies. *Amer. Zool.*, 6, 669-681.
- Delgado, J.M.R., & Mir, D. (1966) Infatigability of pupillary constriction evoked by hypothalamic stimulation in monkeys. *Neurology*, 16, 939-950. [Doty&Bartlett,1981]
- Delgado JMR (1967) Man's intervention in intracerebral functions. *IEEE Int. Conv. Rec.* 15(9): 143-150.
- Delgado, J.M.R. (1967) Brain Function,5, 171. [Lancet, 1974]
- Delgado, J.M.R. (1967) Limbic system and free behavior. In *Progr. Brain Res.* 27, 48-68.
- Delgado, J.M.R. (1967) Social rank and radio-stimulated aggressiveness in monkeys. *J. Nerv. Ment. Dis.* , 144, 383-390.
- Delgado, J.M.R., Mark, V., Sweet, W., Ervin, F., Weiss, G., Bach-y-Rita, G., & Hagiwara, R. (1968) Intracerebral radio stimulation and recording in completely free patients. *J.of Nervous and Mental Disease*, 147, 329-340. *αλδία\_εῖ*
- Delgado, J.M.R. (1969) Physical Control of the Mind (Harper and Row)
- Delgado, J.M.R. (1969) "Offensive-defensive behavior in free monkeys and chimpanzees induced by brain radio stimulation." In S.Garattini and E.BSigg(Eds.), *Aggressive Behavior. Proceedings of the Symposium on the Biology of Aggressive Behavior*, Milan, May, 1968, Excerpta Medica. Amsterdam, 109-119.
- Delgado, J.M.R., Bradley, R.J., Johnston, V.S., Weiss, G., and Wallace, J.D. (1969) Implantation of Multilead Electrode Assemblies and Radio Stimulation of the Brain in Chimpanzees. Technical Documentary Report No. ARL-TR-69-2, Holloman Air Force Base, NM, 19pp.
- Delgado, J.M.R. (1969) Radio stimulation of the brain in primates and in man. *Anesth. Anlag.* 48, 529-543. *αλδία\_εῖ*
- Delgado, J.M.R., and Mir, D. (1969) Fragmental organization of emotional behavior in the monkey brain, *Ann. N.Y. Acad. Sci.*, 159 , 731-751.
- Delgado, J.M.R. (1970) Multichannel Transdermal Stimulation of the Brain. Technical Documentary Report No. ARL-TR-70-1, Holloman Air Force Base, NM, 24pp.
- Delgado, J.M.R., V.S., Johnston, J.D. Wallace & R.J. Bradley (1970) Operant conditioning of amygdala spindling in the free chimpanzee, *Brain Research*, 22, 347-362.
- Delgado, J.M.R., Maria Luisa Rivera & Diego Mir (1971) Repeated Stimulation of Amygdala in Awake Monkeys, *Brain Research*, Vol.27, No.1
- Delgado, J.M.R. & Bracchitta, H. (1972) Free and instrumental behavioral in monkeys during radio stimulation of the caudate nucleus. *Int. J. Psychobiol.*, 2, 233-248.
- Delgado JMR (1972) [re. freewill] *The Humanist*. 1972. [Camellion (1978)]
- Delgado, J.M.R., Obrador, S., & Martin-Rodriguez, J.G. (1973) Two-way radio communication with the brain in psychosurgical patients. In L.V.Laitinen & Livingston (ed.), *Surgical approaches in psychiatry*, Lancaster, England, Medical & Technical Publishing.
- Delgado, J.M.R., Sanguinetti, A.M., & Mora, G. (1973) Aggressive behavior in gibbons modifies by caudate and central gray stimulation. *International Research Communications System Medical Science*, Spt., 16-2-32.
- Delgado, J.M.R. & et al. (1975) Two-Way Transdermal Communication with the Brain, *Am.Psychologist* , March 1975.
- Delgado, J.M.R. (1975) Inhibitory systems and emotions. In *Levi Emotions - their parameters and measurement*, pp.183-204 (Raven Press, New York 1975).
- Delgado, J.M.R., Delgado-Garcia, J.M., & Grau, C. (1976) Mobility controlled by feedback cerebral stimulation in monkeys. *Physiol. Behav.* 16, 43-49.
- Delgado, J.M.R. (1977) Therapeutic programmed stimulation of the brain in man. In W.Sweet, S.Obrador, & J.G. Martin-Rodriguez (Eds.), *Neurosurgical treatment in psychiatry, pain, and epilepsy*. Baltimore, MD, University Park Press, pp.615-637.
- Delgado, J.M.R. (1977-78) Instrumentation, Working hypotheses, and clinical aspects of neurostimulation. *Applied Neurophysiology*, 40, 88-110.
- Del Pozo, F., & Delgado, J.M.R. (1978) Hybrid stimulator for chronic experiments. *IEEE Trans. on Biomedical Engineering*, BME-25, 92-94. [Delgado, 1981]
- Dempsey, E.W. & Morison, R.S. (1942) The production of rhythmically recurrent cortical potentials after localized thalamic stimulation. *Am. J. Physiol.* 135, 293-300..
- Dhume, R.A., & Gogate, M.G. (1974) A miniature stimulator for behavioral studies in freely moving cats. *Indian J. of Physiology and Pharmacology*, 18, 123-125.
- Donaldson, N. (1988) Comments on "Efficient transdermal links with coupling-insensitive gain", *IEEE Trans. BME*, 35, No.4, 280-281.
- Doty, R.W. (1969) Electrical stimulation of the brain in behavioral context. *Annual Review of Psychology*, 20, 289-320.
- Duffy, E. (1934) Is emotion a mere term of convenience? *Psychol. Rev.* 41, 103-104.
- Duffy, E. (1941) An explanation of "emotional" phenomena without the use of the concept "emotion." *J. Genet. Psychol.* 25, 283-293.
- Dymond, A.M. (1976) Characteristics of the metal-tissue interface of stimulation electrodes, *IEEE Trans. Biomed. Eng.*, BME-23, 274-280, July, 1976.
- Egger, M.D., & Flynn, J.P. (1962) Amygdaloid suppression of hypothalamically elicited attack behavior. *Science* 136, 43-44.
- ElenfhÁriou, B.E., & Scott, J.P. (Eds.). (1971) *The physiology of aggression and defeat*, New York, Plenum. [Delgado, 1981]
- Fender, F.A. (1936) *Am.J.Physiol.*, 116, 47. [radio → coil]

- Fender, F.A. (1937) Prolonged splanchnic stimulation. Proc. of the Society for Exp.Biol.and Med., 36, 396-398. [radio → coil]
- Fender, F.A. (1937) Epileptiform convulsions from "remote" excitation. Arch.Neurol.Psychiat., 38, 259-267.
- Fender, F.A. (1941) Arch.Neurol.Psychiat., 45, 617. [radio → coil]
- Flynn, J.P. & Wasman, M. (1960) Learning and cortically evoked movement during propagated hippocampal afterdischarges. Science 131, 1607-1608.
- Flynn, J.P., Wasman, M., and Egger, M.D. (1963) "Behavior during propagated hippocampal after discharges. In EEG and Behavior. G.H.Glaser, Ed. Basic Books, New York. 134-148. [Delgado et al (1971)]
- Flynn, J.P., Edwards, S.B. & Bandler, Jr., r.J. (1971) Changes in sensory and motor systems during centrally elicited attack. Behav.Sci., 16, 1-19.
- Folkow, H. (1952) Impulse frequency in sympathetic vasomotor fibres correlated to the release and elimination of the transmitter. Acta Physiologica Scandinavica. 25, 49-76. [Delgado,1981]
- Fonberg, E., & Delgado, J.M.R. (1961) J.Neuropsychiol., 24, 651. [Lancet,1974]
- Frits, G., & Hitzig, E., (1870) Ueber die elektrische erregbarkeit des grosshirns. Archives fuer Anatomie und Physiologie, 37, 300-332.
- Furman, S., & Schwedel, J.B. (1959) N.Engl.J.Med., 261, 943-948. [the first L-T heart pacemaker] ulčića
- Galambos R (1961) Fed. Proc. 20: 603-608. [self-stimulation →?]
- Galvani, L. (1791) De viribus electricitatis in motu musculari. Commentarius Proc.Academia Bologna, 7, 363-418.
- Geddes, L.A., & Hoff, H.E. (1971) IEEE Spectrum, 8, 12,, 38-46. [Galvani vs Volta]
- Geddes LA (1984) A short history of the electrical stimulation of excitable tissue, including electrotherapeutic applications. The Physiologist, Supp. 2: 1-47.
- Gengerelli, J.A. (1948) Stimulation of the brain by means of radiant energy. Amer. Psychol., 3, 340.
- Gengerelli, J.A. & Kallejian, (1950) Remote stimulation of the brain in the intact animal. J. Psychol., 29, 263-269.
- Garattini, S., & Sigg, E.B. (1969) (Eds.) Aggressive behavior. Amsterdam, Excerpta Med. [Delgado,1981]
- Geschwind N (1979) Specializations of the human brain. Sci. Am. 241: 180.
- Goddard, G.V., McIntyre, D.C., and Leech, C.K., " A permanent change in brain function resulting from daily electrical stimulation." Exp. Neurol., 25, 1969, 295-330.
- Gold, J.H., Stoockle, H., Schuder, J.C., West, J.A., & Holland, J.A. (1974) Selective tissue stimulation with microimplant. Transactions in Ame.Soc.for Artificial Internal Organs., 20, 430-436. [Delgado,1981]
- Greer, M.A. & Riggle, G.C. (1957) Apparatus for chronic stimulation of the brain of the rat by radiofrequency transmission, EEG clin. Neurophysiol., 19, 151-156.
- Greig, J. & Ritchie, A. (1944-45) A simple apparatus for remote nerve stimulation in the unanesthetized animal. J.Physiol., 103, 8P. [radio → coil]
- Harris, G.W., "The innervation and actions of the neuro-hypophysis; An investigation using the method of remote-control stimulation," Philosophical Transactions. 232B, 1946-47, 385-441. [Delgado, 1975]
- Herberg, L.J., and Walkins, P.J. (1966) Epileptiform seizures induced by hypothalamic stimulation in the rat: resistance to fits following fits Nature, 209, 295-330.?
- Hess, W.R. (1928) Stammganglien-Reizversuche. Berichte Gesamte weber die Physiologie und Experimentelle Pharmakologie, 42, 554-55.
- Hess, W.R. (1928) Arch. f. Psychiat. 86, 289.
- Hess, W.R. (1929) Arch. f. Psychiat. 88, 813.
- Hess, W.R. (1931) Compt. rend. Soc. de biol. 107, 1333.
- Hess, W.R. (1932) Beitrage zur Physiologie d. Hirnstammes. I. Die Methodik der lokalisierten Reizung und Ausschaltung subkortikaler Hirnabschnitte. Leipzig, Thieme.
- Hess, W.R. (1944) Das Schlafsyndrom als Folge diencephalen Reiaung. Helv. Physiol. Pharmacol. Acta, 2, 305. [ele → cat => sleep]
- Hess, W.R. (1954) Das Zwischenhirn (2nd ed.) Basel, Schwabe. [Gallistel,1981]
- Hess, W.R. (1954) Diencephalon-autonomic and Extrapyramidal Functions. Gune and Stratton, New York.
- Hess, W.R. (1957) The Functional Organization of the Diencephalon. Grune and Stratton, New York. [ ele → cat's tha => sleep]
- Higgins, J.W., Mahl, G.F., Delgado, J.M.R., & Hamlin, H. (1956) Behavioral changes during intracerebral electrical stimulation. Arch.Neurol.Psychiatry, 76, 399-419.
- Hoagland, H.A. (1940) A simple method for recording electrocorticogram in animals without opening the skull. Science, 92, 537-538.
- Hochmair, E. (1984) System optimization for improved accuracy in transcutaneous signal and power transmission, IEEE Trans. BME, 31, No.2, 177-186.
- Honda, Y., et al (1989) Development of percutaneous intramuscular electrode for multichannel FFS system. IEEE Trans. BME, 36, No.7, 705.
- Hunter, J. & Jasper, H.H. (1949) Effects of thalamic stimulation in unanesthetized animals. EEG Clin.Neuropsychiol., 1, 305.
- Jasper, H.H. (1960) Unspecific thalamocortical relations. Handbook Physiol., Sect. 1, Neruophysiol. 2, 1307-1319.
- Jechorek, W. & von Holst, E. (1956) Fernreizung freibeweglicher Tiere. Naturwissenschaften, 43, 455.
- Kaada, B.R., Anderson, P.A., & Jansen, J. (1954) Stimulation of the amygdaloid nuclear complex in unanesthetized cats. Neurology, 4, 48-64.
- Kahn, A. & Greatbatch, W. (1974) Physiologic electrodes, in Ray Medical engineering, pp.1073-1082 (Year Book, Chicago 1974).
- Kelty, M.F. (1975) Study of the use of psychosurgery in the United States. Information request of the National Committee for Protection of Human Subjects of Biomedical and Behavioral Research. 4th Wld Congr. Psychiat. Surg., Madrid 1975. [Delgado 1977/78]
- King, M.B. & Hoebel, B.G., (1968) Killing elicited by brain stimulation in rats. Comm.in Behav.Biol., 2, 73-177. [Alex&Perachio,1973]
- Klerum, W.R. "Effects of electric stimulation of brain stem reticular formation on hippocampal theta rhythm and muscle activity in unanesthetized, cervical- and midbrain-transected rats," Brain Research, 41 (1972) 331-344.
- Kremer WF (1947) Autonomic and somatic reactions induced by stimulation of the cingular gyrus in dogs. J. Neurophysiol. 10: 371-379.
- Lafferty, M.M. & Farrell, J.F. (1949) A technique for chronic remote nerve stimulation. Science, 110, 140-141. [radio → implanted coil]
- Lashley, K.S. (1938) The thalamus and emotion. Psychol. Rev. 45, 42-61.
- Leeper, R.W. (1948) A motivational theory of emotion to replace "emotion as disorganized response," Psychol. Rev. 55, 5-21.
- Lewandowsky, M. (1903) Arch. Anat. Pshysiol., Lpz., p.129. [remote control]

- Liebeskind, John C. et al., "Analgesia from electrical stimulation of the periaqueductal gray matter in the cat: behavioral observations and inhibitory effects on spinal cord interneurons." *Brain Research*, 50 (1973) 441-446.
- Lilly, J.C., (1950) A.I.E.E.-I.R.E. Conference on Nucleonics and Medicine (S-33) (American Institute of Electrical Engineers, New York), pp.37-43.
- Lilly, J.C., (1950) *Electroenceph. Clin. Neurophysiol.*, 2, 358.
- Lilly, J.C., (1950) Proc. 18th Internat. Physiol. Cong., Copenhagen, p.340.
- Lilly, J.C., (1950) Milbank Memorial Fund Symposium: The Biology of Mental Health and Disease, New York: Hoeber, p.206.
- Lilly, J.C., Austin, G.M., & Chambers, W.W. (1952) Threshold movements produced by excitation of cerebral cortex and efferent fibers with some parametric regions of rectangular current pulses (cats and monkeys). *J. of Neurophysiology*, 15, 319-342.
- Lilly, J.C., (1953) *Fed. Proc.*, 12, 87.
- Lilly, J.C., (1953) Proc. 19th Internat. Physiol. Cong., Montreal, p.564.
- Lilly, J.C., (1953) Significance of motor maps of the sensorimotor cortex in the conscious monkey, *Federation Proc.* 12, No.1, 285.
- Lilly, J.C., Hughes, J.R., Alvord, E.C., Jr., & Galkin, T.W. (1955) Brief noninjurious electric waveforms for stimulation of brain. *Science*, 121, 468-469. [doi:10.1126/science.121.3133.468](#)
- Lilly, J.C., Hughes, J.R., Galkin, T.W., & Alvord, E.C., (1955) *EEG Clin. Neurophysiol.*, 7, 458.
- Lilly, J.C., (1955) Univ. of Wisconsin Symposium: Interdisciplinary Research in the Behavioral, Biological, and Biochemical Sciences, August 1955, Madison: Univ. Wisconsin Press.
- Lilly, J.C., Hughes, J.R., & Galkin, T.W., (1956) *Fed. Proc.*, 15, 119.
- Lilly, J.C., Hughes, J.R., & Galkin, T.W., (1956) Proc. 20th Internat. Physiol. Cong., p.567.
- Lilly, J.C., (1956) *Science*, 124, 937.
- Lilly, J.C., (1957) Learning Elicited by Electric Stimulation of Subcortical Regions in the Unanesthetized Monkey, *Science*, 125, 748.
- Lilly, J.C., (1957) *Fed. Proc.*, 16, 81.
- Lilly, J.C., (1957) paper presented at the "Internat. Symposium on Reticular Formation of the Brain," Detroit, Mich.
- Lilly, J.C., (1957) Proc. 1st Internat. Cong. Neurol. Sciences, 4th Internat. Cong. Electroencephalog. & Clin. Neurophysiol., Brussels, p.161.
- Lilly, J.C., (1957) International Symposium on the Reticular Formation of the Brain, Detroit, Mich., March 1957.
- Lilly, J.C., (1957) Conference on Electrical Studies on the Unanesthetized Brain, Washington, D.C., June 1957.
- Lilly, J.C. (1958) Henry Ford Hospital Intern. Symposium on the reticular formation of the Brain, Boston: Little. [ele -> monkey => self-stim]
- Lilly, J.C. (1958) Electrode and cannulae implantation in the brain by a simple percutaneous method. *Science*, 127, 1181-1182.
- Lilly, J.C., (1958) Development of a Double-Table-Chair Method of Restraining Monkeys for Physiological and Psychological Research, *J. Appl. Physiol.*, 12, 134.
- Lilly, J.C. (1958) Correlations between neurophysiological activity in the cortex and short-term behavior in the monkey. In *Biological and Biochemical Bases on Behavior*, 83-100 (HARlow, H.F., Woolsey, C.N., Eds., Univ. Wisconsin Press, Madison, 476pp.)
- Lilly J.C. (1958) Some considerations regarding basic mechanisms of positive and negative types of motivations. *Am. J. Psychiat.* 115: 498.
- Lilly, J.C. (1960) Injury and excitation of brain by electrical current. In E.R. Ramey and D.S. O'Doherty (Eds), *Electrical Studies of the unanesthetized brain*, Hoeber, New York, pp.96-105.
- Lilly, J.C. (1961) Injury and excitation by electric currents. A. The balanced pulse-pair waveform. In D.E. Sheer (Ed.), *Electrical Stimulation of the Brain*, Univ. Texas Press, Austin, 60-64.
- Lilly J.C. & Miller A.M. (1962) Operant conditioning of the bottlenose dolphin with electrical stimulation of the brain. *J. Comp. and Physiol. Psychol.* 55: 73.
- Lilly, J.C. (1978) *The Scientist*, (Philadelphia, J.B. Lippincott Company)
- Ling, F., & Gerard, R.W. (1949) The normal membrane potential of frog sartorius fibers. *J. of Cellular and Comparative Physiology*, 34, 383-396. [Swett, 1981] 'microelectrodes'
- Loucks, R.B. (1933) Preliminary report of a technique for stimulation or destruction of tissues beneath the integument and the establishing of conditioned reactions with faradization of the cerebral cortex. *J. comp. Psychol.* 16, 439-44.
- Loucks, R.B. (1934) A technique for faradic stimulation of tissues beneath the integument in the absence of conductors penetrating the skin. *J. comp. Psychol.*, 18, 305.
- Loucks, R.B. (1959) The erosion of electrodes by small currents. *EEG clin. Neurophysiol.* 11, 823-826.
- MacDonnell, M., & Flynn, J.P. (1966) Control of sensory fields by stimulation of hypothalamus. *Science*, 152, 1406-1408. [Alex & Perachio, 197]
- MacLean PD (1949) *Psychosom. Med.* 11, 338-353. [-> emotion]
- MacLean PD & Delgado J.M.R. (1953) Electrical and chemical stimulation of frontotemporal portion of limbic system in the waking animal. *EEG clin. N.*, 5, 91-100. [doi:10.1159/000370001](#)
- MacLean PD, Flanigan, S., Flynn, J.P., Kim, C., & Stevens, J.R. (1955-56) Hippocampal function: tentative correlations of conditioning, EEG, drug, and radioautographic studies. *Yale J. Biol. Med.* 28, 380-395.
- MacLean PD et al (1959) *Trans. Am. Neurol. Ass.* 84: 105. [-> septal => sex] [doi:10.1159/000370001](#) 82-97, 99-106
- MacLean PD, Ploog, D.W. (1962) Cerebral representation of penile erection. *J. Neurophysiol.*, 25, 29-55.
- Mauro, A., Davey, W.L.M., & Scher, A.M. (1950) Central nervous stimulation by implanted high frequency receiver. *Fed. Proc. Balt.* 9, 558.
- Maurus, M., Mitra, J., Ploog, D.W. (1965) Cerebral representation of the clitoris in ovariectomized squirrel monkeys. *Exptl. Neurol.*, 13, 283-88.
- Maurus, M. (1967) Neue fernreizapparatus für kleine primaten. *Naturwissen.*, 54, 593.
- Maurus, M. & Ploog, D. (1971) Social signals in squirrel monkeys: Analysis by cerebral radio stimulation. *Experimental Brain Research*, 12, 171-183. [Delgado, 1981]
- Maxim, P.E. (1972) Behavioral effects of telestimulating hypothalamic reinforcement sites in freely moving Rhesus monkeys, *Brain Research*, 42, 243-262.
- Maxim, P.E., & Spelman, F.A. (1975) A radio-controlled constant current biphasic stimulator system for primate studies. *Physiology and Behavior*, 14, 663-667.
- Mayer, D.J., Woffle, T.L., Akil, H., Carder, B., & Liebeskind, J.D. (1971) Analgesia resulting from electrical stimulation in the brain stem of the rat. *Science* 174, 1351-1354.

- Mazars, G., Merienne, L., & Cioloca, C. (1974) Implantable thalamus stimulators for the management of some types of intractable pain. *Neurochirurgie* 20, 117-124.
- McNeal, D.R. (1977) 2000 years of electrical stimulation. In F.T. Hambrecht & J.B. Reswick (Ed.), *Functional electrical stimulation*. New York: Dekker, pp.3-25. [Swett, 1981] ES therapy for pain by Roman. *USC71-184*
- Mihailovic, L., & Delgado, J.M.R. (1956) Electrical stimulation of the monkey brain with various frequencies and pulse durations. *J. Neurophysiology*, 19, 21-36.
- Moniz, E. (1936) *Tentatives operatoires dans le traitement de certaines psychoses*. Paris: Masson & Cie. [lobotomy]
- Morison, R.S., & Dempsey, E.W. (1942) A study of thalamo-cortical relations. *Am. J. Physiol.* 135, 281-292.
- Mortimer JT (1983) Electrical excitability: the basis for applied neural control. *IEEE EMB* 2(2): 12.
- Moyer, K.E. (1976) (Ed.). *Physiology of aggression and implications for control*. New York, Raven.
- Nakao, H. (1958) Emotional behavior produced by hypothalamic stimulation. *Am J. Physiol.* 194, 411-418.
- Nathan, Peter (1983) *The Nervous System*. Oxford New York. Oxford University Press. [Extract RCVD from RN. 1994.2.5]
- Neafsey EJ., Bold EL et al (1986) The organization of the rat motor cortex: a microstimulation mapping study. *Brain Res. Rev.* 11: 77-96.
- Newman, H., Fender, F., & Saunders, W. (1937) High frequency transmission of stimulating impulses. *Surgery (St.Louise)*, 2, 359-362. [radio -> coil]
- Olds, J., & Milner, P. (1954) Positive reinforcement produced by electrical stimulation of the septal area and other regions of the rat brain. *J. of Comp. and Physiol. Psychology*, 47, 419-428.
- Olds, J. (1954) A neural model for sign-gestalt theory. *Psychol. Rev.*, 61, 59-72.
- Olds, J. (1956) Pleasure centers in the brain. *Scientific American*, 195, 105-116.
- Olds, J. (1958) Satiation effects in self-stimulation of the brain. *J. comp. physiol. Psychol.*, 51, 675-678. [Delgado et al (1971)]
- Olds, J. (1960) In *Electrical studies on the unanesthetized brain*, E.R. Ramey & D.S. Doherty, Eds., Harper, New York, pp.17.
- Olds, J. (1962) Hypothalamic substrates of reward. *Physiol. Rev.* 42, 554.
- Olds, M.E. & A. Yuwiler, (1972) "Effect of brain stimulation in positive and negative reinforcing regions in the rat on content of catecholamines in hypothalamus and brain." *Brain Research*, 36, 385-398.
- Olds ME & Fobes JL (1981) The central basis of motivation: intracranial self-stimulation studies. *Annual Rev. Psychology* 32: 523-574.
- Onard, B. et al (1984) Electrical properties of bioelectrodes. *IEEE Trans. BME* 31(12):827.
- Papez, J.W. *Arch. Neurol. Psychiat.* 38, 725. [-> emotion]
- Patterson, M.M. & Kesner, R.P. (ed.), *Electrical stimulation research techniques*, NY, Academic Press, 1981, 370p. (SC 364-A3)  
 Extracellular stimulation (James B. Ranck, Jr.) & Intracellular stimulation (John H. Bryne)  
 Microstimulation technique (Hiroshi Asanuma)  
 Stimulation of the brain via metallic electrodes (Robert W. Doty and John R. Bartlett)  
 Depth stimulation of the brain (JosÃ M.R. Delgado) #Subcortical stimulation for motivation and reinforcement (C.R. Gallistel)  
 Electrical stimulation as a tool in memory research (R.F. Berman and R.P. Kesner)  
 Brain stimulation effects related to those of lesions (Robert L. Isaacson)  
 Electroconvulsive therapy, who needs it? (Duane Denney)  
 Electrical stimulation of peripheral nerve (John E. Swett and Charles M. Bourassa)  
 Grid and peripheral shock stimulation (Fred A. Masterson)
- Perachio, A.A., Alexander, M., & Robinson, B.W. (1969) Sexual behavior evoked by telestimulation. In: *Proc. 2nd Internatl. Cong. Primat.* H. Hoffer, ed. Karger, Basel, New York, Vol. 3, pp.68-74. [Alex & Perachio, 1973]
- Ploog, E.W., Blitz, J., & Ploog, F. (1963) Studies on social and sexual behavior of the squirrel monkey (*saimiri sciureus*). *Folia Primatologica*, 1, 29-66.
- Plotnick, R., Mir, D., & Delgado, J.M.R. (1968) Aggression, noxiousness and brain stimulation in unrestrained rhesus monkeys. In *Eleftherion, G.F., ed. Physiology of aggression and defeat*, pp.143-221. New York: Plenum Press. *US51-8*
- Pompeiano, O., & Swett, J.E. (1962) EEG and Behavioral manifestations of sleep induced by cutaneous nerve stimulation in normal cats. *Archives Italiennes de Biologie*, 100, 311-342.
- Porter, R.W., Conrad, D.G., and Brady, J.V. (1959) Some neural and behavioral correlates of electrical self-stimulation of the limbic system. *J. exp. Anal. Behav.*, 2, 43-55.
- Ranck JB (1975) Which elements are excited in electrical stimulation of mammalian central nervous system: a review. *Brain Res.* 98: 417-440.
- Ray, C.D., (1974) *Medical engineering*. Chicago, Year Book Med.
- Reynolds, D.V. (1969) Surgery in the rat during electrical analgesia induced by focal brain stimulation. *Science* 164, 444-445.
- Roberts, W.W., Steinberg, M.L., & Means, L.W. (1967) Hypothalamic mechanisms for sexual, aggressive and other motivational behaviors in the opossum, *Didiphis virginiana*. *J. Comp. Physiol. Psychol.*, 64, 1-15. [Alex & Perachio, 1973]
- Robinson, B.W. (1962) Localization of intracerebral electrodes. *Experimental Neurology*, 6, 201-233.
- Robinson, B.W., Warner, H. & Rosvold, H.E. (1964) A head-mounted remote-controlled brain stimulator for use on rhesus monkeys. *EEG Clin. Neurophysiol.*, 17, 200-203.
- Robinson, B.W., Mishkin, M. (1966) Ejaculation evoked by stimulation of the preoptic area in monkey. *Physiol. Behav.*, 1, 269-72. *US61-27*
- Robinson, B.W., Alexander, M., & Bowne, G. (1969) Dominance reversal resulting from aggressive responses evoked by brain telestimulation. *Physiology and Behavior*, 4, 749-752.
- Rosvold, H.E., & Delgado, J.M.R. (1953) The effect of the behavior of monkeys of electrically stimulating or destroying small areas within the frontal lobes. *Am. Psychologist*, 8, 425-426.
- Rosvold, H.E., & Delgado, J.M.R. (1956) *J. comp. Physio. Psychol.* 49, 365. ele -> monkey => sleep]
- Routtenberg, A., Gardner, E.L., & Huand, Y.G. (1971) Self-stimulation pathways in the monkey, *Macaca mulatta*. *Experimental Neurology*, 33, 213-224. [Gallistel, 1981]
- Rubinstein, E.H., & Delgado, J.M.R. (1963) Inhibition induced by forebrain stimulation in the monkey. *Am. J. of Physiology*, 205, 941-948.

- Rugh, J.D. (1971) A biphasic radio-controlled stimulator. *Physiol. Behav.*, 6, 267-269.
- Santic, A. et al (1982) Micropower electronic switches for implanted instrumentation, *IEEE Trans. BME*, 29, 583-589.
- Saunders, F.A. Electrocutaneous displays. In F.A. Geldard (Ed), (1974) *Cutaneous communication systems and devices*. Austin, TX, Psychonomic Society, pp.20-26.
- Sawyer, P.N. & Srinivasan, S. Metals and implants. In C.D.Ray(Ed.). (1974) *Medical engineering Chicago, Year Book Med.*, pp.1099-1110.
- Schmitt, O.H. (1948) A radio frequency coupled tissue stimulator, *Science* 107, 432.
- Schwan, H.P. (1984) The development of biomedical engineering : historical comments and personal observations. *IEEE BME*, 31, No.12, 730-736.
- Segundo, J.P., Arana, R., & French, J.D. (1955) Behavioral arousal by stimulation of the brain in the monkey. *IBJ. Neurosurg* 12, 601-613.
- Seligman, L.J. (1982) Physiological stimulators: from electric fish to programable implants. *IEEE Trans. Bio-med. Eng. BME -29*, 270-284.
- Senzung, A. (1963) *Mal. Cardiovas.*, 4, 503-512. [implantable heart pacemaker]
- Sharpless, S.K., and Halpern, L.M. (1962) The electrical excitability of chronically isolated cortex studies by means of permanently implanted electrodes. *EEG. clin. Neurophysiol.*, 14, 244-255. [Delgado et al (1971)]
- Sidman, M., Brady, J.V., Boren, J.J., Conrad, D.G., & Schulman, A. (1955) Reward schedules and behavior maintained by intracranial self-stimulation. *Science*, 122, 830-831.
- Siegel, Allan, John Chabora, Raymond Troiano, "Effects of electrical stimulation of the pyriform cortex upon hypothalamically-elicited aggression in the cat," *Brain Research*, 47 (1972) 497-500.
- Silverman, G., Ball, G.G., & Cohn, C.K. (1975) A new automatic constant current stimulator and its biological applications, *IEEE Trans. on B.M.E.*, BME-22, 207-212.
- Skinner, B.F. (1938) *The behavior of organism*. New York: D.Appleton-Century.
- Slater, L., (ed), *Bio-telemetry*. 1963 (NY: Pergamon Press)
- Stachnik, T., Ulrich, R., & Mabry, J.H. (1966) Reinforcement of intra- and inter-species aggression with intracranial stimulation. *Am. Zoologist* 6, 663-668.
- Sterman, M., & Clemente, C. (1962) Forebrain inhibitory mechanism: synchronization induced by basal forebrain stimulation. *Exptl. Neurol.* 6, 91-102. [ele -> cat => sleep]
- Sterman, M., & Clemente, C. (1962) Forebrain inhibitory mechanisms: sleep patterns induced by basal forebrain stimulation in the behaving cat. *Exptl. Neurol.* 6, 103.
- Stillings, D. (1974) *Med. Instru.*, 8, 334. u@[ele.acupuncture]
- Straw, R., & Mitchell, C.A. (1966) A simple method of implanting electrodes for long-term stimulation of peripheral nerves. *J. of Applied Physiology*, 21, 712-714.
- Symposium on stereotactic surgery. *J. Neurosurg.* 15, (3).
- Szabo, Imre & Peter M. Milner (1972) Self-stimulation in Rats: Tip alignment influences the effectiveness of bipolar electrodes, *Brain Research*, 48, 243-250.
- Talbert, G.A. (1900) *Arch. Anat. Physiol.*, Lpz., p.195.
- Terell, W., & Maurer, D. (1974) Two design approaches to dual channel implantable neurostimulators. *Proc. of the 7th Annual Meeting of the Neuroelectric Society*.
- Testerman, R.L., Hagfors, N.R., & Schwartz, S.I. (1971) Design and evaluation of nerve stimulating electrodes. *Medical Research Engineering*, 10, 6-11.
- Ulrich, R.E., & Azrin, N.H. (1962) Reflexive fighting in response to aversive stimulation. *J. Exptl. Anal. Behav.* 5, 511-521.
- Ulrich, R.E., Wolff, P.C., & Azrin, N.H. (1964) Shock as an elicitor of intra- and interspecies fighting behavior. *Animal Behav.* 12, 14-15.
- Upson, J.D., King, F.A., & Roberts, L. (1962) A constant-amplitude transistorized unit for remote brain stimulation. *Electroenceph. clin. Neurophysiol.* 14, 928-930.
- Valenstein, E.S., Hodos, S. & Stein, L. (1961) A simplified electrode assembly for implanting chronic electrodes in the brains of small animals. *Amer. J. Psychol.* 74, 125-128. uLiç
- Verzeano, M. & French, J.D. (1953) Transistor circuits in remote stimulation. *EEG clin. Neurophysiol.*, 5, 613-616.
- Ward HP (1959) Stimulus factors in septal self-stimulation. *Am. J. Physiology* 196: 774-782.
- Warner, H., (1962) "A remote control brain telestimulator system," *Digest, 15th Annual Conf. on Engineering in Medicine and Biology*, November 1962, pp.6.
- Warner, H., Robinson, B.W., Rosvold, H.E., Wechsler, L.D., & Zampini, J.J. (1968) A remote control brain tele-stimulator with solar cell power supply. *IEEE Trans. on Bio-Medical Engineering*, 15, 94-101.
- Wasman, M., & Flynn, J.P. (1962) Directed attack elicited from hypothalamus. *Archives of Neurology (Chicago)*, 6, 220-227.
- Wauquier, A., & Rolls, E.T. (1976) *Brain-stimulation reward*. Amsterdam, North-Holland Publ.
- Walker AE (1957) The development of the concept of cerebral localization in the nineteenth century. *Bull. Hist. Med.* 31: 99-121.
- Welker W (1976) Mapping the brain. Historical trends in functional localization. *Brain Behav. Evol.* 13: 327-343.
- Wetzel, M.C., Howell, L.G., & Bearie, K.J. (1969) Experimental performance of steel and platinum electrodes with chronic monophasic stimulation of the brain. *J. of Neurosurgery*, 31, 658-669.
- Wiener, N. (1949) *Cybernetics*. New York, Wiley.
- Willey, T.J., & Freeman, W.J. (1968) Alteration of prepyriform evoked response following prolonged electrical stimulation. *Am. J. Physiol.*, 215, 1435-1441.
- Woodworth, C.H. (1971) Attack elicited in rats by electrical stimulation of the lateralthalamus. *Physiol. and Behav.*, 6, 345-355
- Yamaguchi, N. (1956) Behavioral changes induced by electrical stimulation of the thalamus of unanesthetised dogs. *Psychiatr. Neurol. Jap.* 58.
- Yeomans, John S (1990) *Principles of Brain Stimulation*. Oxford University Press, NY. pp.182 \$35.00. [Library, Neurosurgery 29(3):475]
- Young, P.T. (1961) *Motivation and Emotion*, John Wiley & Sons, Inc. New York, N.Y., 648 pp.
- Zeier, H., Tschannen, G., Sietz, H., & Fiedler, A. (1968) A device for wireless electric brain stimulation in operant conditioning situations. *Physiol. Behav.* 3, 587-590.

## ESB -- MAN & THERAPY

- Adams JE & Rutkin BB (1970) Visual responses to subcortical stimulation in the visual and limbic systems. *Confinia Neurologica* 32: 158-164.
- Adams, J.E., Hosobuchi, Y., & Fields, H.L. (1974) Stimulation of internal capsule for relief of chronic pain. *J. Neurosurg.* 41, 740-744.
- Adams, J.E., & Hosobuchi, Y. (1977) Technique and technical problems [of ESB]. *Neurosurgery*, 1, 196-199. (from Delgado, Patterson ed., 1981)
- Adams, J.E., Hosobuchi, Y., & Länchütz, R. (1977) The present status of implantable intracranial stimulation for pain. *Clinical Neurosurgery*, 24, 347-361. [—>! pain]
- Adams, J.E. (1977/78) Technique and technical problems associated with implantation of neuroaugmentive devices, *Appl. Neurophysiol.*, 40, 111-123. [ele —> chronic pain]
- Ajmone Marsan C & Van Buren J (1964) Functional relationship between frontal cortex and subcortical structures in man. *EEG Clin. N.* 16: 80-87.
- Alberts, W.W., & Wright Jr., E.W., Levin, G., Feinstein, B. & Mueller, M. (1961) Threshold stimulation of the lateral thalamus and globus pallidus in the waking human. *EEG clin. Neurophysiol.* 13, 68-74. Alberts, W.W., B. Feinstein, G. Levin & E.W. Wright, Jr. (1966) Electrical stimulation of therapeutic targets in waking dyskinetic patients. [—>! dyskinetic] *Ectroenceph. Clin. Neurophysiol.* 20, 559-566.
- Angeleri F, Ferro-Milone F & Parigi S (1964) Electrical activity and reactivity of the hincerephalic, parathincerephalic, and thalamic structures: Prolonged implantation of electrodes in man. *EEG Clin. N.* 16: 100-129.
- Babb MI & Dymond AM (1974) Electrode implantation in the Human body. Univ. California, LA: Brain Information Service/Brain Res. Inst.
- Bechtereva, N.P., Kambarova, D.K., Srimov, V.M., & Shandurina, A.N. (1977) Using the brain's latent abilities for therapy: chronic intracerebral electrical stimulation, In Sweet, Obrador and Martin-Rodriguez *Neurosurgical treatment in psychiatry, pain, and epilepsy*, University Park Press, Baltimore.
- Baldwin M (1960) Electrical stimulation of the mesial temporal region. In: Ramey ER, O'Doherty DS (eds) *Electrical studies on the unanesthetized brain*. Hoeber, New York
- Bancaud J et al. (1994) Anatomical origin of déjà-vu and vivid 'memories' in human temporal lobe epilepsy. *Brain* 117: 71-90.
- Bates JAV (1953) Stimulation of the medial surface of the human cerebral hemisphere after hemispherectomy. *Brain* 76: 405-447.
- Becker, H.C. & Peacock (1954) Subcortical stimulation techniques (including stimulation data sheets), in R.G. Heath and the Tulane University Dpt of Psychiatry and Neurology, *Studies in Schizizophrenia*. Cambridge, Harvard Univ. Press, 201-234.
- Becker, H.C. & Peacock (1954) Improvements in teh technique of electrical stimulation, in R.G. Heath and the Tulane University Dpt of Psychiatry and Neurology, *Studies in Schizizophrenia*. Cambridge, Harvard Univ. Press, 201-234.
- Becker, H.C., Founds, W.L., Peacock, S.M., Heath, R.G., Llewellyn, R.C., & Mickle, W.A. (1957) A roentgenographic stereotaxic technique for implanting and maintaining electrodes in the brain of man, *EEG clin. Neurophysiol.* 9, 533-543.
- Becker, H.C., Peacock, S.M., Heath, R.G. & Mickle, W.A. (1961) Methods of stimulation control and concurrent electrographic recording, in *Electrical Stimulation of the Brain*, D.E. Sheer, Ed. Austin, Univ. of Texas Press, 74-90.
- Bickford, R.G., Petersen, M.C., Dodge, H.W., Jr., & Sem-Jacobsen, C.W. (1953) Observations on depth stimulation of the human brain through implanted electrographic leads. *Mayo Clinic Proceedings*, 28, 181-187. 00
- Bickford RG, Mulder DW, et al (1958) Changes in memory function produced by electrical stimulation of the temporal lobe in man. *Res Publ Nerv Ment Dis* 36: 227-243.
- Bickford RG, Dedge HW, Jr. & Uihlein A (1960) Electrographic and behavioral effects related to depth stimulation in human patients. In Ramey ER & O'Doherty DS eds. *Electrical Studies on the Unanesthetized Brain* pp. 248-259.
- Bishop MP et al (1963) Intracranial self-stimulation in man. *Science* 140: 394.
- Bland BH & Vanderwolf CH (1972) Electrical stimulation of the hippocampal formation. Behavioral and bioelectric effects. *Brain Research*. Amsterdam 43: 89-106.
- Brazier, M.A.B. (1964) Evoked responses recorded from the depths of the human brain. *Annals of the N.Y. Acad. of Sciences*, 112, 33-59.
- Brazier MAB (1966) Stimulation of the hippocampus in man using implanted electrodes. In: Brazier MAB (ed) *RNA and brai function, memory and learning*. Univ. of Calif., Berkeley, pp 299-310.
- Brazier, M.A.B. (1971), Modern advances in the use of depth electrodes. In A. Winter (Ed.), *The surgical control of behavior*, Thomas, Springfield, IL, pp. 5-20.
- Brickner, R.M. (1940) A human cortical area producing repetitive phenomena when stimulated. *J. Neurophysiol.* 3, 128-130.
- Burke D et al. (1992) Anodal and cathodal stimulation of the upper-limb area of the human motor cortex. *Brain* 115: 1497-1508.
- Chapman WP, Livingston RB, Livingston KE (1949) Frontal lobotomy and electrical stimulation of orbital surface of frontal lobes Effect on respiration and on blood pressure in man. *Arch Nerurol Psychiatr* 62: 701-716.
- Chapman LE, et al (1967) Memory changes induced by stimulation of hippocampus or amygdala in epileptic patients with implanted electrodes. *Trans Am Neurol Assoc* 92: 50-56.
- Cherlow DG et al. (1977) Evoked response and after-discharge thresholds to electrical stimulation in temporal lobe epileptics. *Archives of Neurology* 34: 527-531.
- Cooper, I.S., (1973) Chronic stimulation of paleocerebellar cortex in man. *Lancet*, 1, 206. [Lancet, 1974]
- Cooper, I.S., Amin, I., Gilman, S. (1973) The effect of chronic cerebellar stimulation upon epilepsy in man. *Trans. Amer. Neurol. Assn.*, 98, 192-196.
- Cooper, I.S., Crighel, E., & Amin, I. (1973) Clinical and physiological effects of stimulation of the paleocerebellum in humans. *J. Am. Geriatr. Soc.*, 21, 40-43.
- Cooper, I.S., Gilman, S. (1973) Chronic stimulation of the cerebellar cortex in the therapy of epilepsy in the human, in *Neural Organization and its relevance to prosthetics*. (W.S. Fields, ed.), Intercontinental Book Corp., New York.
- Cooper, I.S., Riklan, M., & Snid, R.S. (1974) *The cerebellum, epilepsy, and behavior*. Plenum Press, New York.
- Crandall PH, Water RD, Rand RW (1963) Clinical applications of studies of stereotactically implanted electrodes in temporal-lobe epilepsy. *J. Neurosurgery* 21: 827-840.
- Crow, H.J., Cooper, R., & Philips, D.G. (1963) Progressive leucotomy. In Masserman (ed.), *Current psychiatric therapies*, vol. 3, pp. 100-113. New York: Grune & Stratton.
- Crow, H.J., & Cooper, R. (1973) Stimulation, polarization and coagulation using intracerebral implanted electrodes during the investigation and treatment of psychiatric and other disorders. *Medical Progress through Technology*, 1, 92-102.
- Damasio AR, Van Hoesen GW (1980) Structure and function of the supplementary motor area. *Neurol* 30: 359.
- Daniel MS et al (1985) Psychological factors and outcome of electrode implantation for chronic pain. *Neurosurgery* 17(5): 773-777.

- Douglas RJ (1967) The hippocampus and behavior. *Psychological Bulletin* 67: 416-442.
- Dow, R.S. (1978) Summary and evaluation of chronic cerebellar stimulation in man. In I.S.Cooper (Ed.), *Cerebellar stimulation in man*. Raven, New York, pp.207-212.
- Dreifuss JJ (1972) The effects of electrical stimulation of the amygdaloid complex on the ventromedial hypothalamus. In: *The Neurobiology of the Amygdala*. Edited by B.E.Eleftheriou. New York: Plenum.
- Earle K.M., Baldwin, M. & Penfield, W. (1953) Incisural sclerosis and temporal lobe seizures produced by hippocampal herniation at birth. *Arch.Neurol.Psychiat.(Chic.)*,69, 27-42.
- Ervin, F.R., Brown, C.e. & Mark, V.H. (1966) Striatal influence on facial pain. *Confin. Neurol.* 27, 75-86. [-> caudate -> carcinoma pain]
- Ervin FR, Mark VH & Stevens J (1969) Behavioral and affective responses to brain stimulation in man. *Proceeding so fhte American Psychopathological Association* 58: 54-65.
- Escueta AV,, Delgado-, Walsh GO (1982) The selection process for surgery of complex partial seizures: Surface EEG and depth electrography. *Arch Neurol* (in press [1982])
- Fedio P & Onmaya AK (1970) Bilateral cingulum lesions and stimulation in man with lateralized impairment in short-term verbal memory. *Exp Neurol* 29: 84-91.
- Feindel, W. & Penfield, W., (1954) Localization of discharge in temporal lobe automatism *Arch.Neurol.Psychiat.(Chic.)*, 72, 605.
- Feindel W (1982) The contributions of Wilder Penfield to the functional anatomy of the human brain. *Human Neurobiol.* 1. 231-234.
- Feinstein, B., Alberts, W.W., Wright Jr., E.W. & Levin, G. (1960) A stereotaxic technique in man allowing multiple spatial and temporal approaches to intracranial targets. *J. Neurosurg.*, 17, 708-720.
- Feinstein G, Alberts WW, Levin G & Wright Jr. EW (1966) Some refinements of stereotaxic therapy for dyskinesia, and results of clinical evaluation. *Confin. neurol. (Basel)*,
- Ferguson SM, et al (1969) Similarities in mental content of psychotic states, spontaneous seizures, dreams, and responses to electrical brain stimulation in patients. *Psychosom Med* 31: 479-498.
- Fields, H.L. & Adams, J.E. (1974) Pain after cortical injury relieved by electrical stimulation of the internal capsule. *Brain* 97, 169-178.
- Flanigan HF, Nashold BS, et al (1978) Stimulation of the temporal lobe and thalamus in man and its relation to memory and behavior. In: Wauguier A, Rolls ET (eds) *Brain-stimulation reward*, Elsevier, NY, pp 521-526.
- óóFox, S.S., & Rudell, A.P. (1968) Operant control of neural events. Formal and systematic approach to electrical coding of behavior in brain. *Science*, 162, 1299-1302.óóíç
- Glenn, W.W.L., Mauro, A., Longo, E., Laviates, P.H., MacKay, F.J. (1959) Remote stimulation of the heart by radiofrequency transmission: clinical application to a patient with Stokes-Adams syndrome. *N.Engl.J.Med.*, 261, 948-951.óóíç
- Glenn, W.W.L., Hageman, J.H., Mauro, A., Eisenberg, L., Flanigan, S., & Harvard, M. (1964) Electrical stimulation of excitabel tissue by r adio-frequency transmission. *Annals of Surgery*, 160, 338-350. [Delgado, 1981]
- Glenn, W.W.L., Holcomb, W.G., Gee, J.B.L., & Rath, R. (1970) Central hypovenilation, long-term ventilatory assistance by radiofrequency electrophrenic respiration. *Ann.Surgery*, 172, 755-773. [Swett, 1981] 'subcutaneous antenna'.
- Glenn, W.W.L., Holcomb, W.G., McLaughlin, A.J., Ohare, J.M., Hogan, J.F., & Yasuda, R. (1972) Total ventilatory support with RF-EPR. *N.Engl.J.Med.*, 286, 513-516. [RF -> ele ->l respiratory paralysis]
- Gloor P, et al (1982) The role of the limbic system in experiential phenomena of temporal lobe epileps.. *Ann Neurol* (in press)
- Gloor P (1990) Experiential phenomena of temporal lobe epilepsy: facts and hypotheses. *Brain* 113: 1673-1694.
- Goddard GB et al (1969) A permanent change in brain function resulting from daily electrical stimulation. *Exp Neurol* 25: 295-330.
- Gol A (1967) Relief of pain by electrical stimulation of the septal area. *J Neurol Sci* 5: 115-120.
- Gybels J, et al (1980) Electrical stimulation of the central grey for pain relief in human: autopsy data. *Acta Neurochir Suppl.* 30: 259-168.
- Halgren E et al (1977) Post-EEG seizure depression of human limbic neurons is not determined by their response to probable hypoxia. *Epilepsi* 18: 89-93.
- Halgren E et al (1978) Mental phenomena evoked by electrical stimulation of the human hippocampal formation and amygdala. *Brain* 101: 83-117.
- Halgren E (1982) Mental phenomena induced by stimulation in the limbic system. *Human Neurobiology* 1: 251-260.
- Halgren E, Wilson CL, Stapleton JM (1985) Human medial temporal lobe stimulation disrupts both formation and retrieval of recent memories. *Brain and Cognition* 4: 287-295.
- Halgren E & Chauvel P (1992) Experiential phenomena evoked by human brain electrical stimulation. *Ad. Neurol.* 65: 87-104.
- Hambrecht, F.T. & Reswick, J.B. (Ed.), (1977) *Functional electrical stimulation*. New York: Dekker[Swett, 1981] ES therapy for pain by Roman.óóSC71-184
- McNeal, D.R., 2000 years of electrical stimulation , pp.3-25.
- Gilman, S., et al., Clinical, morphological, biochemical, and physiological effects of cerebellar stimulation, pp.191-226.
- Oakley, J., Preliminary analysis of chronic cerebellar stimulation of the control of epilepsy pp.227-240.
- Penn, R., Cerebellar stimulation for motor disorders, pp.241-250.
- Peports on the cerebellar stimulation panel, pp.251-258.
- Brindley, G.s., & Rushton, D.N., Observations on the representation of the visual field on the human occipital cortex, pp.261-276.
- Pollen, D.A., Andrews, B.W., & Levy, J.C., Electrical stimulation of the visual cortex in man and cat, pp.277-287.
- Collins, C.C., Electrotactile visual prosthesis, pp.289-301.
- Saunders, F. A., Recommende procedures for electrocutaneous displays, pp.303- Report of the visual prostheses panel, pp.311-317.
- Merzenich & White, M.W., Cochlear implant: the interface problem, pp.321-340.
- Mladejovsky, M.G., Eddington, D.K., Brackman, D.E., & Dobelle, W.H., Progress report and future directions of cochlear prostheses, pp.341-351.
- Heath, R.G. & Hodes, R. (1952) Induction of sleep by stimulation of the caudate nucleus in *Maccacus rhesus* and man. *Trans. Am. neurol. Ass.* 77, 204-210, pp. 50-74.
- Heath, R.G. & the Tulane University Department of Psychiatry and Neurology (1954) (Eds.). *Studies in schizophrenia. A multidisciplinary approach to mind-brain relationships*. Cambridge, MA. Harvard University Press.
- Heath RG (1955) Correlation between levels of psychological awareness and physiological activity in the central nervous system. *Psychosom. Med.* 17: 383.
- Heath RG (1958) Correlation of electrical recordings from cortical and subcortical regions of the brain with abnormal behavior in human subjects.*Confinia Neurol.* 18: 305

- Heath, R.G. (1959) Physiological and biochemical studies in schizophrenia with particular emphasis on mind-brain relationships. *Int. Rev. Neurobiol.* 1, 299-331.
- Heath, R.G. & Mickie, W.A. (1960) Evaluation of seven years experience with depth electrode studies in human patients. in *Electrical Studies on the Unanesthetized Brain*, E.R.Ramey and D.S.O'Doherty, Ed. New York: Hoeber, pp.214-247.
- Heath, R.G. & Founds, W.L. (1960) A perfusion cannula for intracerebral microinjections. *EEG clin. Neurophysiol.* 12, 930-932.
- Heath, R.G. & deBalbina Verster, F. (1961) Effects of chemical stimulation to discrete brain area. *Am. J. Psychiat.* 117, 980-990.
- Heath, R.G., John, S.B. & Foss, O. (1961) Stereotaxic biopsy. *Arch. Neurol.* 4, 291-300.
- Heath, R.G. (1962) Common characteristics of epilepsy and schizophrenia: clinical observation and depth electrode studies. *Am. J. Psychiat.* 118: 1013-1026.
- Heath, R.G. (1963) Electrical self-stimulation of the brain in man. *Am. J. Psychiat.* 120, 571-577.
- Heath, R.G. (1964) Developments toward new physiologic treatments in psychiatry. *J. Neuropsychiat.* 5, 318-331.
- Heath, R.G. (1964) Pleasure response of human subjects to direct stimulation of the brain: Physiologic and psychodynamic considerations, in *The Role of Pleasure in Behavior*, R.G.Heath, Ed. New York: Hoeber Medical Division, Harper & Row, pp.219-243.
- Heath, R.G. (1966) Schizophrenia: Biochemical and physiologic aberrations. *Int. J. Neuropsychiat.* 2, 597-610.
- Heath, R.G. & Krupp, I.M. (1967) Schizophrenia as an immunologic disorder. *Arch. Gen. Psychiat.* 16, 1. 0Liq
- Heath, R.G. (1967) Schizophrenia: studies of pathogenesis, in *Biological and Clinical Aspects of the Central Nervous System*, Symposium of Sandoz Ltd., Basle.
- Heath, R.G. John, S.B. & Fontana, C.J. (1968) The pleasure response: Studies by stereotaxic technics in patients. in *Computers and Electronic Devices in Psychiatry*, N. Kline & E.Laska, Ed., New York: Grune and Stratton, 178-189.
- Heath, R.G. (1970) Perspectives for biological psychiatry. *Biolog. Psychiat.* 2, 81-88.
- Heath, R.G. (1972) Pleasure and brain activity. Deep and surface encephalograms during orgasm. *Journal of Nervous and Mental Disease*, 154:3-18.
- Heath, R.G., Cox, A.W., & Lustick, L.S. (1974) Brain activity during emotional states. *Amer. J. Psychiat.* 131, 858-862.
- Heath, R.G. (1975) Brain function and behavior: I. Emotion and sensory phenomena in psychotic patients and in experimental animals. *J.Nerv. Ment. Dis.* 160, 159-175.
- Heath, R.G., et al (1976) Stereotaxic implantation of electrodes in human brain: a method for long-term study and treatment. *IEEE Trans. Bio-med. Eng.* 23, 296-304.
- Häcaen H., Penfield, W. Bertrand C. & Malmö, R., (1956) The syndrome of apractognosia due to lesions of the minor cerebral hemisphere. *Arch.Neurol.Psychiat.(Chic.)*, 75, 400.
- Horowitz, M.M., Adams, J.E., & Rutkin, B.B. (1958) Visual imagery on brain stimulation. *Archives of General Psychiatry*, 19, 469-486. 0Liq
- Hosobuchi, Y., Adams, J.E., & Rutkin, B. (1973) Chronic thalamic stimulation for the control of facial anesthesia dolorosa. *Arch. Neurol.* 29, 158-161.
- Hosobuchi Y, Adams JE, Lincitz R (1977) Pain relief by electrical stimulation of the central gray matter in humans and its reversal by naloxone. *Science* 197: 184-186.
- Hosobuchi Y (1979) Elevation of B-endorphin-like substances and pro-opiortin (31K ACTH) by periaqueductal gray stimulation (PAGS) in humans. In: Hitchcock ER, Ballantine HT, Meyerson BA (eds) *Modern Concepts in Psychiatric Surgery*. Elsevier/North-Holland Biomedical Press, NY Vol I.
- Hosobuchi Y et al. (1979) Periaqueductal gray stimulation for pain suppression in humans. In: Bonica JJ (ed) *Advances in pain research and therapy*, Vol III. Raven Press, New York.
- Hosobuchi Y (1980) The current status of analgesic brain stimulation. *Acta Neurochir Supp* 30: 219-227.
- Hosobuchi Y (1986) Subcortical electrical stimulation for control of intractable pain in humans : report of 122 cases (1970-1984) *J. Neurosurg.* 64: 543-553.
- Iacono RP & Nashold BS (1982) Mental and behavioral effects of brain stem and hypothalamic stimulation in man. *Human Neurobiology* 1: 273-279.
- Ishibashi R et al (1964) Hallucination produced by electrical stimulation of the temporal lobes in schizophrenic patients. *Tohoku J Med* 82: 124-139.
- Jasper HH & Ramussen T (1958) Studies of clinical and electrical responses to deep temporal stimulation in man with some considerations of functional anatomy. *Res Publ Assoc Res Nerv Ment Dis* 36: 316-334.
- Kumar K et al (1990) Deep brain stimulation for control of intractable pain in humans, present and future: a ten-yeer follow-up. *Neurosurg.* 26(5): 774-782.
- Laitinen LV (1979) Emotional responses to subcortical electrical stimulation in psychiatric patients. *Clin Neurol Neurosurg* 82: 148-157. Larson, S.J. et al. (1976) Cerebellar implant Studies. *IEEE Trans. BME* 23 (4) 319.
- Levy RM et al. (1987) Treatment of chronic pain by deep brain stimulation : long term follow-up and review of the literature. *Neurosurg.* 21: 885-893.
- Lewin, W. (1961) Observations on selective leucotomy. *J. Neurol. Neurosurg. Psychiat.* 24, 37-44.
- Liberson, W.T., Scoville, W.B., & Dunsmore, R.H. (1951) Stimulation studies of the prefrontal lobe and uncus in man, *EEG clin. Neurophysiol.* 3,-8.
- Libet B et al. (1964) Production of threshold levels of conscious sensation by electrical stimulation of human somatosensory cortex. *J. Neurophysiology* 27: 546-578.
- Libet B et al. (1991) Control of the transition from sensory detection to sensory awareness in man by the duration of a thalamic stimulus. *Brain* 114: 1731-1757.
- Livingston RB et al (1948) Stimulation of orbital surface of man prior to frontal lobotomy. *Res Publ Assoc Nerv Ment Dis* 27: 421-432.
- Loeser, J.D., Black, R.G., & Christman, A. (1975) *J.Neurosurg.*, 42, 308-315.  
[ele -> chronic pain]
- Lustick, L.S. & Heath, R.G. (1970) Comparative study of intracranial electrodes for stimulation and recording. *Biophys. Soc. Abstracts*, 11, 165a.
- Mahl GF, Rotherberg A, Delgado JMR & Hamlin H (1964) Psychological responses in the human to intracerebral electrical stimulation. *Psychosom. Med.* 26: 337-368.
- Mark, V.H. & Ervin, F.R. (1970) *Violence and the brain* (Harper & Row, New York).
- Melzack, R. & Wall, P.D. (1965) Pain mechanisms: a new theory, *Science* 150, 971-979.
- Meyer G, McElhaney M, Martin W, McGraw CP (1973) Stereotactic cingulotomy with results of acute stimulation and serial psychological testing. In: Laitinin LV, Livingston KE (eds) *Surgical approaches in psychiatry*. Medical and Technical Publishing Co.Ltd, Lancaster.



- Milner B et al (1968) Further analysis of the hippocampal amnesic syndrome: 14 year follow up study of H.M. *Neuropsychol* 6: 215-234.
- Moan CE & Heath RG (1972) Septal stimulation and initiation of heterosexual behavior in a homosexual male. *J. Behav. Ther. Exp. Psychiat* (In press)
- Morgan JT (1982) The first reported case of electrical stimulation of the human brain. *J Hist Med* 37: 51-65.
- Mullan S. & Penfield, W. (1959) Illusions of comparative interpretation and emotion. *Arch. Neurol. Psychiat. (Chic.)*, 81, 269.
- Munding F, Saldmao JF (1980) Deep brain stimulation in mesencephalic lemniscus medialis for chronic pain. *Acta Neurochir Supp* 30: 245-258.
- Namba S et al. (1985) Sensory and motor responses to deep brain stimulation. Correlation with anatomical structures. *J. Neurosurg.* 63(2): 224-234.
- Nashold BS, Wilson WP (1966) Central pain. Observations in man with chronic implanted electrodes in the midbrain tegmentum. *Conf Neurol* 27: 30-44.
- Nashold BS, Gills J (1967) Ocular signs from brain stimulation and lesions. *Arch Ophthalmol* 77: 609-618.
- Nashold BS, Gills JP, Wilson WP (1967) Ocular signs of brain stimulation in the human. *Conf Neurol* 29: 169-174.
- Nashold BS, Lanford GW (1968) A method for recording ocular reactions during stereotactic operations. *Conf Neurol* 30: 197-200.
- Nashold BS, Wilson WP, Slaughter DG (1969) Sensations evoked by stimulation in the midbrain of man. *J Neurosurg* 30: 14-25.
- Nashold BS (1970) Phosphenes resulting from stimulation of the midbrain in man. *Arch Ophthalmol* 84: 433-435.
- Nashold BS (1970) Ocular reaction from brain stimulation in conscious man. *Neuroophthalmol* 5: 92-103.
- Nashold BS, Wilson WP (1970) Olfactory hallucinations evoked from stimulation of human thalamus. *Confin Neurol* 32: 298-307.
- Nashold BS, Wilson WP, Slaughter DG (1974) The midbrain and pain. *Adv Neurol* 4: 191-196.
- Nashold BS, Slaughter DG, Wilson WP, Zorub D (1977) Stereotactic mesencephalotomy. *Prog Neurol Surg* 8: 35-49.
- Nashold BS Jr, Wilson WP, Boone E (1979) Depth recordings and stimulation of the human brain: A twenty-year experience. In: Rasmussen T, Marino R (eds) *Functional neurosurgery*. Raven, New York.
- Nashold BS (1980) Brain stem stereotaxic procedures. In: Schaltenbrand (ed) *Stereotaxy of the human brain*. Thieme-Stratton, New York.
- Ojemann G, Fedio P (1968) Effect of stimulation of the human thalamus and parietal and temporal white matter on short-term memory. *J Neurosurg* 29: 51-59.
- Ojemann G, Fedio P, & Van Buren JM (1968) Anomia from pulvinar and subcortical parietal stimulation. *Brain* 91: 99-116.
- Ojemann GA (1982) Models of the brain organization for higher integrative functions derived with electrical stimulation techniques. *Hum Neurobiology* 1: 243-249.
- Ojemann G et al. (1989) Cortical language localization in left, dominant hemisphere. An electrical stimulation mapping investigation in 117 patients. *J. Neurosurg.* 71: 316-326.
- Oliver A et al. (1987) Depth electrode implantation at the Montreal Neurological Institute and Hospital. In: *Surgical Treatment of the Epilepsies*. Engel J (ed) NY: Raven Press.
- Ommayo AK, Fedio P (1972) The contribution of cingulum and hippocampal structures to memory mechanisms in man. *Confin Neurol* 34: 398-411.
- Orthner H & Roeder F (1966) Further clinical and anatomical experiences with stereotactic operations for relief of pain. *Conf Neurol* 27: 418-430.
- Pampiglione G & Falconer MA (1960) Electrical stimulation of the hippocampus in man. In: *Handbook of Physiology*. Section 1. Neurophysiology, Volume 2. Edited by J. Field, et al., Washington, D.C.: American Physiological Society.
- Penfield, W. & E. Boldrey (1937) Somatic motor and sensory representation in the cerebral cortex of man as studied by electrical stimulation. *Brain*, 60: 389-443.
- Penfield, W. (1938) The cerebral cortex and consciousness. *Arch. Neurol. Psychiat.* 40, 417-442.
- Penfield, W. & Erickson, T.C. (1941) *Epilepsy and Cerebral Localization*.
- Penfield, W. & Welch K., (1949) Instability of response to stimulation of the sensorimotor cortex of man. *J. Physiol. (Lond.)*, 109, 358.
- Penfield, W. & Rasmussen, T. (1949) Vocalization and arrest of speech. *Arch. Neurol. Psychiat. (Chicago)* 61, 21-27.
- Penfield, W. & Flanigin, H. (1950) Surgical therapy of temporal lobe seizures. *Arch. Neurol. Psychiat. (Chicago)* 64, 491-500.
- Penfield, P.W. (1950) *Arch. Psychiat. Nervenkr.* 185, 670.
- Penfield, W. & Rasmussen (1950) *The Cerebral Cortex of Man*, MacMillan, New York.
- Penfield, W. & Kristiansen, K. (1951) *Epileptic Seizure Patterns*, Springfield, Ill, Charles C Thomas, Publisher.
- Penfield, W. & Welch, K. (1951) *Arch. Neurol. Psychiat.* 66, 289.
- Penfield, W. & Baldwin, M. (1952) Temporal lobe seizures and the technic of subtotal temporal lobectomy. *Ann. Surg.* 136, 625-634.
- Penfield, W. (1952) Epileptic automatism and the centrencephalic integrating system. *Res. Publ. Ass. nerv. ment. Dis.* 30, 513-528.
- Penfield, W. (1952) *Arch. Neurol. Psychiat.* 67, 178.
- Penfield, W. (1952) Memory mechanisms. *AMA Arch. Neurol. Psychiat.* 67, 178-191.
- Penfield, W. & Jasper H.H., (1954), *Epilepsy and the Functional Anatomy of the Human Brain*, Boston.
- Penfield, W. (1954) Mechanisms of voluntary movement. *Brain*, 77, 1-17.
- Penfield, W. (1955), *Acta psychol. (Amst.)*, 11, 47.
- Penfield, W., & Paine, K. (1955) Results of surgical therapy for focal epileptic seizures. *Cand. M.A. J.* 73, 515-531.
- Penfield, W. (1955) Role of the temporal cortex in certain psychical phenomena. *ment. Sc.* 101, 451-465.
- Penfield, W. & T. Rasmussen (1957) *The cerebral cortex of man - A clinical study of localization of function*, NY, Macmillan. [The homunculus]
- Penfield, W. (1958) *The Excitable Cortex in Conscious Man*, Liverpool.
- Penfield, W. & Milner B. (1958) Memory deficit produced by bilateral lesions in the hippocampal zone. *Arch. Neurol. Psychiat. (Chic.)*, 79, 475.
- Penfield, W. & L. Roberts (1959) *Speech and Brain mechanisms*, Princeton, N.J., Princeton Univ. Press.
- Penfield W (1959) The interpretive cortex. *Science* 129: 1719.
- Penfield, W. (1961) Activation of the record of human experience. *Ann. roy. Coll. Surg. Engl.*, 29, 77.
- Penfield, W. & Perot P., (1963), *The brain's record of auditory and visual experience - A final summary and discussion*. *Brain*, 86, 595.

- Penfield, W. (1968) Engrams in the human brain. *Proc. Roy. Soc. Med.*, 61: 831-840.
- Penfield, W. (1975) *The Mystery of the Mind*. Princeton University Press. [Jap]
- Penfield, Wilder, 1891-1976 (1977) *No man alone: a neurosurgeon's life*. Boston, Little, Brown. 01GK478-30
- Pool JL, Ransohoff J (1949) Autonomic effects of stimulating the rostral portion of cingulate gyri in man. *J Neurophysiol* 12: 385-392.
- Pudenz RH et al (1975) Electrical stimulation of the brain. III. The neural damage model. *Surgical Neurology* 4: 389-400.
- Ramey, E.R., & O'Doherty, D.S. ed., *Electrical studies on the unanesthetized brain*, New York, Hoeber, 1960. [Delgado, 1975; ele → therapy]
- Ranck JB Jr (1975) What elements are excited in electrical stimulation of mammalian central nervous systems: a review. *Brain Res* 98: 417-440.
- Ray ChD, Burton ChV (1980) Deep brain stimulation for severe, chronic pain. *Acta Neurochir (Supple)* 30: 289-293.
- Ray CD (1981) Electrical and chemical stimulation of the CNS by direct means for pain control: present and future. *Clin Neurosurg* 28: 564-587.
- Rayport M, Ferguson SM (1974) Qualitative modification of sensory responses to amygdaloid stimulation in man by interview content and context. *EEG Clin N.* 34: 714.
- Richardson, D.E. (1967) Thalamotomy for intractable pain. *Conf. Neurol.* 29, 139-145.
- Richardson, D.E. & Akil, H. (1973) Pain relief by electrical stimulation of the brain in human patients, Abstracts for the American Association of Neurosurgeons Meeting. Los Angeles, CA, Apr.
- Richardson, D.E. (1976) Brain stimulation for pain control. *IEEE BME*, 23 (4), 304-6.
- Roland PE et al (1980) Supplementary motor area and other cortical areas in organization of voluntary movements in man. *J Neurophysiol* 43: 118-136.
- Rosene DL, Van Hoesen GW (1977) Hippocampal efferents reach widespread areas of cerebral cortex and amygdala in the rhesus monkey. *Science* 198: 315-317.
- Sano K (1962) Sedative neurosurgery. *Neurologica Medico-chirurgica* 4: 112-142.
- Sano K et al (1970) Results of stimulation and destruction of the posterior hypothalamus in man. *J Neurosurg* 33: 689-707. [Halgren 1982]
- Schaeffler L et al. (1993) Comprehension deficits elicited by electrical stimulation of Broca's area. *Brain* 116: 695-715.
- Schaltenbrand, G. (1965) The effects of stereotactic electrical stimulation in the depth of the brain. *Brain*, 88, 835-40. [-> man => speech sounds]
- Schaltenbrand G, et al (1973) Vegetative and emotional reactions during electrical stimulation of deep structures of the brain during stereotactic procedures. *Z Neurol* 205: 91-113
- Schechter, D.C. (1972) Background of clinical cardiac electrostimulation. *N.Y. State J. Med.*, 72, 605-619. ["Can you hear me?"]
- Schwarz JR (1977) Results of stimulation and destruction of the posterior hypothalamus: A long-term evaluation. In: Sweet WH, Obrador S, Martin-Rodriguez JG (edw) *Neurosurgical treatment in psychiatry, pain and epilepsy*. University Park, Baltimore.
- Sooville W.B. & Penfield, W., (1957), *J. Neurol. Neurosurg. Psychiat.*, 20, 11.
- Sem-Jacobsen, C.W., Petersen, M.C., Lazarte, J.A., Dodge, H.W., Jr., Holman, C.B. (1955) Intracerebral electrographic recordings from psychotic patients during hallucinations and agitation. *Amer. J. Psychiat.* 122, 278-288. 01G
- Sem-Jacobsen et al (1955) Electroencephalographic rhythms from the depths of the frontal lobe in 60 psychotic patients. *EEG Clin. N.* 7: 193-210.
- Sem-Jacobsen, C.W., Petersen, M.C., Dodge, H.W., Lazarte, J.A., & Holman, C.B. (1958) Electroencephalographic rhythms from the depths of the parietal, occipital, and temporal lobes in man. *Electroencephalography and Clinical Neurophysiology*, 8, 263-178.
- Sem-Jacobsen CW (1959) *EEG Clin. N.* 11: 379.
- Sem-Jacobsen, C.W., & Trkildsen, A. (1960) Depth recording and electrical stimulation in the human brain, In E.R. Ramey & D.S. O'Doherty (Eds), *Electrical studies on the unanesthetized brain*, New York, Harper & Row, (Hoeber), pp 275-290.
- Sem-Jacobsen CW (1964) Electrical stimulation of the human brain. *EEG Clin. N.* 17: 211.
- Sem-Jacobsen, C.W. (1968) Depth-electrographic stimulation of the human brain and behavior: From fourteen years of studies and treatment of Parkinson's disease and mental disorders with implanted electrodes. Springfield, IL, Thomas.
- Shealy, C.N., Mortimer, J.T., & Hagfors, N.R. (1970) *J. Neurosurg.*, 32, 560-564. [implant → chronic pain]
- Siegel RK & Jarvik ME (1975) Drug-induced hallucinations in animals and man. In: *Hallucinations: Behavior, Experience, and Theory*. Edited by RK Siegel & LJ West. NY: Wiley.
- Siegfried J et al. (1983) Intracerebral electrode implantation system. *J. Neurosurg.* 59:356-359.
- Spiegel EA & Wycis HT et al. (1947) Stereotactic apparatus for operations on the human brain. *Science* 106: 349-350.
- Spiegel EA & Wycis HT (1953) Mesencephalotomy in treatment of intractable facial pain. *Arch Neurol Psychiatr* 69: 1-9.
- Spiegel EA & Wycis HT (1961) Stimulation of the basal ganglia and brain stem in man. In: Sheer (ed) *Electrical Stimulation of the Brain*. Texas Press. Austin.
- Spiegel EA & Wycis HT et al. (1952) Stereencephalotomy, Vol II. Grune and Stratton, NY
- Spiegel EA & Wycis HT et al. (1954) Stimulation of Forel's field during stereotaxic operations in the human brain. *EEG Clin N.* 16: 537-548.
- Spiegel EA & Wycis HT (1955) Present status of stereencephalotomies for pain relief. *Conf Neurol* 27: 7-12.
- Stein L (1975) Norepinephrine reward pathways: role in self-stimulation, memory consolidation, and schizophrenia. *Nebraska Symposium on Motivation* 22: 113-159.
- Stevens JR et al (1969) Deep temporal lobe stimulation in man: long latency, long-lasting psychological changes. *Archives of Neurology* 21: 157-169.
- Strassburg HM, Thoden U, Mundinger F (1979) Mesencephalic chronic electrodes in pain patients. *Appl Neurophysiol* 42: 284-293
- Sweet, W.H., & Wepsic, J.G. (1968) *Trans. Am. Neurol. Assn.*, 93, 103-107. [implant → chronic pain]
- Talairach J, Bancaus J (1966) The supplementary motor area in man. *Int J Neurol* 5: 330-347.
- Talairach J, et al (1973) The cingulate gyrus and human behavior. *EEG Clin N.* 34: 45-52.
- Tasker RR & Organ LW (1972) Mapping of the somatosensory and auditory pathways in the upper midbrain and thalamus of man. *Excerpta Medica* 253-169-187.
- Tasker RR & Organ LW (1973) Stimulation mapping of the upper human auditory pathway. *J Neurosurg* 38: 320-325.
- Tasker RR, Organ LW, Hawrylyshyn P (1980) Visual phenomenon evoked by electrical stimulation of the human brainstem. *Appl Neurophysiol* 43: 89-95.
- Tasker RR, Organ LW & Hawrylyshyn P (1982) *The Thalamus and Midbrain of Man: A Physiological Atlas using Electrical Stimulation*. Springfield, Ill.: Thomas.
- Tsubokawa T (1964) The relationship between the human cortical recruiting responses and consciousness. *Folia Psychiaatr Neurol Jap* 18: 327-336.
- Tsubokawa T et al (1993) Chronic motor cortex stimulation in patients with thalamic pain. *J. Neurosurg.* 78(3): 393-401.

- Uematsu et al (1992) Motor and sensory cortex in humans: topography studies with chronic subdural stimulation. *Neurosurgery* 31(1): 59-72.
- Van Buren, J.M. (1961) Sensory, motor and autonomic effects of mesial temporal stimulation in man. *J. Neurosurg.* 18, 273-288.
- Van Buren, J.M. (1963) Confusion and disturbance of speech from stimulation in vicinity of the head of the caudate nucleus. *J. Neurosurg.*, 20, 148-157.
- Van Buren, J.M. (1963) The abdominal aura: a study of abdominal sensations occurring in epilepsy and produced by depth stimulation. *EEG Clin N.* 15: 1-19.
- Van Buren, J.M., Li, C.L., & Ljemann, G.A. (1966) The fronto-striatal arrest response in man. *Electroenceph. clin. Neurophysiol.*, 21, 114-130.
- Van Buren, J.M. (1966) Evidence regarding a more precise localization of the posterior frontal-caudate arrest response in man. *J. Neurosurg. Suppl.*, 2nd Symposium on Parkinson's Disease, 416-17 (Nashold B.S., Huber, W.V., Eds.)
- Von Holst E & St. Paul U (1962) Electrically controlled behavior. *Sci. Am.* 206(3), March, 1962.
- Walker AE, Marshall C (1961) Stimulation and depth recordings in man. In: Sheer DE (ed) *Electrical stimulation of the brain*. Univ. of Texas, Austin
- Waltregny A, et al (1974) Electrophysiological exploration of the anterior gyrus cinguli (area 24) in man (stereotaxic study). *EEG Clin. N.* 34: 782.
- Wilson CL et al. (1990) Functional connections in the human temporal lobe. I. Analysis of limbic system pathways using neuronal responses evoked by electrical stimulation. *Exp. Brain Res.* 82: 279-292.
- Wilson WP & Nashold BS (1973) Evoked photic responses from the human thalamus and midbrain. *Conf Neurol* 35: 338-345.
- Wilson WP & Nashold BS (1968) Epileptic discharges occurring in the mesencephalon and thalamus. *Epilepsia* 9: 265-273.
- Young RF et al. (1985) Electrical stimulation of the brain in treatment of chronic pain. Experience over 5 years. *J. Neurosurg.* 62(3): 389-396.
- Young RF & Chambi VI (1987) Pain relief by electrical stimulation of the periaqueductal and periventricular gray matter. Evidence for a non-opioid mechanism. *J. Neurosurg.* 66: 364-371.
- Zimmermann M (1982) Electrical stimulation of the human brain. *Human Neurobiol* 1: 227-229.

## VISUAL PROSTHESES & E.S.B.

- Brindley, G.S. (1962) Beats produced by simultaneous stimulation of the human eye with intermittent light and intermittent or alternating electric current. *J. Physiol.* 164, 157-167.
- Brindley, G.S., Lewin, W.S. (1968) The sensations produced by electrical stimulation of the visual cortex. *J. Physiol.*, 196, 479-493.
- Brindley, G.S. (1970) Sensations produced by electrical stimulation of the occipital poles of the cerebral hemispheres, and their use in constructing visual prostheses. *Ann. Rep. Coll. Surg.* 57, 106-108.
- Brindley, G.S., Donaldson, P.E.K., Falconer, M.A., & Rushton, D.N. (1972) The extent of the region of occipital cortex that when stimulated gives phosphenes fixed in the visual field. *J. Physiol.* 225, 57-58.
- Brindley, G.S. (1973) Sensory effects of electrical stimulation of the visual and paraviscual cortex in man, in JUNG Handbook of Physiology, Vol. III/3B, Springer-Verlag, New York, pp. 585-594.
- Brindley, G.S., Rushton, D.N. (1974) Implanted stimulators of the visual cortex as visual prosthetic devices. *Trans. Amer. Acad. Ophthalmol. Otolaryngol.*, 78, OP742-OP745.
- Brindley, G.S., & Rushton, D.N. (1977) Observations on the representation of the visual field on the human occipital cortex, pp. 261-276.
- Brindley, G.S. (1981) Electroejaculation: its technique, neurological implications and uses. *J. Neurology, Neurosurgery and Psychiatry* 44: 9-18.
- Brindley, G.S. (1982) Effects of electrical stimulation of the visual cortex. *Human Neurobiology* 1: 281-283.
- Burton, J. & Putnam, T.J. (1962) Visual responses in cortical stimulation in the blind. *J. Iowa Med. Soc.* 52, 17-21.
- Campbell, P.K., Jones, K.E., Huber, R.J., Horch, K.W., & Norman, R.A. (1991) A silicon-based, three-dimensional neural interface: manufacturing processes for an intracortical electrode array. *IEEE Trans. BME*, 38, No. 8, 758-768.
- Collins, C.C. (1977) Electrotactile visual prosthesis, pp. 289-301. in Hambrecht & Reswick (Ed.) *Functional electrical stimulation*
- Dobelle, W.H., Mladejovsky, M.G. (1974) Phosphenes produced by electrical stimulation of human occipital cortex, and their application to the development of a prosthesis for the blind. *J. Physiol.*, 243, 553-576.
- Dobelle, W.H. et al (1974) Data processing, LSI will help to bring sight to the blind, *Electronics*, 47, 81-86.
- Dobelle, W.H., Mladejovsky, M.G., Evans, J.E., Roberts, T.S., Girvin, J.P. (1976) 'Braille' reading by a blind volunteer by visual cortex stimulation. *Nature*, 259, 111-112.
- Dobelle, W.H., Mladejovsky, M.G., Girvin, J.P. (1974) Artificial vision for the blind: Electrical stimulation of visual cortex offers hope for a functional prosthesis. *Science*, 183, 440-444.
- Dobelle WH, Mladejovsky MG & Evans JR (1976) "Braille" reading by a blind volunteer by visual cortex stimulation. *Nature* 259: 111-112.
- Donaldson, P.E.K. (1973) Experimental visual prosthesis. *IEE Proc.*, 120, 281-298.
- Evans JR, Gordon J, Abramov I, Mladejovsky MG & Dobelle WH (1979) Brightness of phosphenes elicited by electrical stimulation of human visual cortex. *Sensory Processes* 3: 82-94.
- Girvin JP, Evans JR, Dobelle WH, Mladejovsky MG, et al (1979) Electrical stimulation of human cortex: the effect of stimulus parameters on phosphene threshold. *Sensory Processes* 3: 66-81.
- Livingstone M & Hubel D (1988) Segregation of form, color, movement and depth: Anatomy, physiology and perception. *Science* 240: 740-749.
- Minsky, M. (1971) Development of a facility for visual prosthesis experiments on humans, in *Visual Prostheses: The interdisciplinary dialogue*, T. Sterling, Ed. New York: Academic, 315-324.
- Pollen, D.A. (1975) Some perceptual effects of electrical stimulation of visual cortex in man, in TOWER The Nervous System, Vol. 2, The Clinical Neurosciences, Raven Press, New York, pp. 519-528.
- Pollen, D.A. (1976) Responses of single neurons to electrical stimulation of the surface of the visual cortex. *Brain, Behav. Evol.*
- Pollen, D.A., Andrews, B.W., & Levy, J.C. (1977) Electrical stimulation of the visual cortex in man and cat, pp. 277-287. in Hambrecht & Reswick (Ed.)
- Rushton, D.N., Brindley, G.S. (1977) Short and long term stability of cortical electrical phosphenes, in *Physiological Aspects of Clinical Neurology*, Blackwell, Oxford.
- Saunders, F.A. (1977) Recommended procedures for electrocutaneous displays, pp. 303

## AUDITORY PROSTHESES & E.S.B.

Cochlear Implant () IEEE EMB 6(2)

Dobelle, W.H., Mladejovsky, M.G., Stensaas, S.S., & Smith, J.B. (1973) A prosthesis for the deaf based on cortical stimulation. *Ann. Otol. Rhin. Laryngol.* 82, 445-563.

Doyle, J.H., Doyle, J.B. & Turnbull, F.M. (1961) Electrical stimulation of eighth cranial nerve. *Arch. Otolaryng.* 84, 388-391. 011ç

House, W.F. & Urban, J. (1973) Long term results of electrode implantation and electronic stimulation of the cochlea in man. *Ann. Otol.* 82, 504-510.

Merzenich, M.M. et al (1973) Neural encoding of sound sensation evoked by electrical stimulation of the acoustic nerve. *Ann. Otol.* 82, 486-503.

Merzenich, M.M. (1974) In Proceedings of the First International Conference on Electrical Stimulation of the Acoustic Nerve as a Treatment for Profound Sensorineural Deafness in Man, (M.M.Merzenich, R.A.Schandler, F.A. Sooy, eds.), Velo-Bind, Inc., San Francisco, pp 79-92. [ele -> auditory sensory]

Merzenich, M.M. (1975) Studies on electrical stimulation of the auditory nerve in animals and man; cochlear implants, in *The Nervous System*, (D.B.Tower, ed.), Raven Press, N.Y.

Merzenich, M.M. & White, M.W. (1977) Cochlear implant: the interface problem. in Hambrecht & Reswick (Ed.) Functional electrical stimulation

Michelson, R.P. (1971) Electrical stimulation of the human cochlea. *Arch. Otolaryngol.* 93, 317-323. 011ç

Michelson, R.P. (1971) The results of electrical stimulation of the cochlea in human sensory deafness. *Ann. Otol.* 80, 914-919.

Mladejovsky, M.G., Eddington, D.K., Dobelle, W.H., & Brackmann, D.E. (1975) Artificial hearing for the deaf by cochlear stimulation: Pitch modulation and some parametric thresholds. *Trans. Amer. Soc. Artif. Int. Organs*, 21, 1-6.

Mladejovsky, M.G., Eddington, D.E., Evans, J.J., & Dobelle, W.H. (1976) A computer-based brain stimulation system to investigate sensory prostheses for the blind and deaf. *IEEE Trans. Biomed. Eng.*, BME-23, pp.286-296, July, 1976.

Mladejovsky, M.G., Eddington, D.K., Brackman, D.E., & Dobelle, W.H. (1977)

Progress report and future directions of cochlear prostheses. in Hambrecht & Reswick (Ed.) Functional electrical stimulation

Parkins CW et al. (1983) Cochlear implant: a sensory prosthesis frontier.

IEEE EMB 2(2): 18-26.

Simons, F.B. (1966) Electrical stimulation of the auditory nerve in man.

*Arch. Otolaryngol.* 84, 24-76. 011ç

Simons, F.B. (1967) Permanent intracochlear electrodes in cats, tissue tolerance and cochlear microphonics. *Laryngoscope*, 77, 171-186.

## TRANSNASAL APPROACH (IMPLANT THRU NOSE)

Barth JT et al (1984) The effects of prefrontal leucotomy: Neuropsychological findings in long term chronic psychiatric patients. *Int. J. clin. Neuropsychology* 6(2):120-1233. [thru eye's cavity]

Black PM et al (1987) Incidence and management of complications of transsphenoidal operation for pituitary adenomas. *Neurosurgery* 20(6): 920-924.

Griffith HB et al. (1987) A direct transnasal approach to the sphenoid sinus. Technical note. *J. Neurosurg* 66: 140-142.

Hardy J (1971) Transsphenoidal hypophysectomy. *J. Neurosurg* 34: 582-594.

Hardy, Jules (1990) Atlas of Transsphenoidal Microsurgery in Pituitary Tumors Igaku-Shoin, NY, pp.74. [*Neurosurgery* 29(3): 478, 30(1): 141]

Kandel EI (1989) Functional and Stereotactic Neurosurgery. NY: Plenum Press, pp.492-500. [transnasal -> pituitary gland]

Rabadan A et al (1992) Transmaxillary, Transnasal Approach to the Anterior Clivus: A Microsurgical Anatomical Model. *Neurosurgery* 30(4): 473-482.

Rosenfeld JV (1992) Transnasal stereotactic biopsy of a clivus tumor. *J. Neurosurg.* 76(5): 878-879.

Watson SW et al (1982) Dental considerations in the sublabial trans-sphenoidal surgical approach to the pituitary gland. *Neurosurgery* 10(2): 236-241.

## BIO-TELEMETRY

Adey WR (1963) Potential for telemetry in the recording of brain waves from animals and men exposed to the stresses of space flight. In Slater L. ed. *Bio-Telemetry* pp.289-300.

Allen, R.T., Hansom, M.L., & Dresge, D.J. (1964) Biotelemetry in medicine, *Bio-med. Instru.*, 1, 15-19, December 1964.

Almond, J.A. (1965) Personal telemetry transmitter system, *Aerospace Med. Res. Labs., Rept. AMRL-TR-65-87*, pp.1-23.

Angell, J.B. (1977) Transducers for in vivo measurement of force, strain, and motion. in *Physical Sensors for Biomedical Applications*, M.R. Neuman et al. Eds., Boca Raton, FL, CRC Press.

Arfel G, et al (1969) Dynamic aspects of electroencephalography. First results of a telemetric study. *Revue neurol.* 120: 429-430.

Arfel G, et al (1969) Dynamic aspects of the human EEG. First results of a radiotelemetric study. *EEG clin. N.* 27: 108.

Asaki Y, Iriki M & Kanai H (1980) Design of a two-channel AM-FM transmitter for body temperature measurements in rats. *Biotelemetry* 7(1): 32.

Atkinson JR, et al (1967) Radio telemetry for the measurement of intracranial pressure. *J. Neurosurg.* 27: 429-432.

Ax AF (1969) Instrumentation for psychophysiology. *Am. Psychol.* 24: 229-233.

Barnett GH et al (1990) Epidural peg electrodes for the presurgical evaluation of intractable epilepsy. *Neurosurgery* 27(1): 113-115.

Barwick, R.E., & Fullagar, P.J. (1967) A bibliography of radio telemetry in biological studies, *Proc. ecol. Soc. Aust.*, 2, 27. [Delgado et al (1970)]

- Bement, S.L. et al (1986) Solid-state electrodes for multi-channel multi-plexed intracortical neuronal recording. *IEEE Trans. BME*, 33, No.2, 230-241.
- Bert J, et al (1970) EEG of the mature chimpanzee. 24 hour recordings. *EEG clin. N.* 28: 368-373.
- Bickford RG, et al (1969) Teleprocessing of the EEG from the patient's residence. *EEG clin. N.* 26: 117-118.
- Blanc C et al (1967) Radiotelemetric recordings of the electroencephalograms of civil aviation pilots during flight. *EEG clin. N.* 23: 580.
- Bojseu JJ & Wallevik K (1972) A radiotelemetric measuring device, implantable on animals, for long-term measurements of radionuclide-tracers. *Int. J. appl. Radiat. Isotopes* 23: 505-511.
- Bornhausen M & Matthes R (1980) Remote control of electrical brain stimulation reward in rats with pulsed infrared light. *Biotelemetry* 7(1): 29.
- Bowden AN, et al (1975) The place of EEG telemetry and closed-circuit television in diagnosis and management of epileptic patients. *Proc R. Soc. Med.* 68: 246-248.
- Bowman, L. et al (1986) The packing of implantable integrated sensors. *IEEE Trans. BME*, 33, No.2, 248-255.
- Breakell CC, Parker CS & Christopherson F (1949) Radio transmission of the human EEG and other electrophysiological data. *EEG Clin. N.* 1: 243-244.
- Brown MW, et al (1971) Laboratory note. A miniature transmitter suitable for telemetry of a wide range of biopotentials. *EEG clin. N.* 31: 274-276.
- Bruner JM (1971) Telemetry in a large hospital - a look at the future. *IEEE Trans. BME* 18: 325-329.
- Byford GH (1965) Medical radiotelemetry. *Proc. R. Soc. Med.* 58: 795-798.
- Caceres, C.A. ed. (1965) Biomedical telemetry, New York, Academic Press.
- Caceres CA (1968) Telemetry in medicine and biology. *Adv. biomed. Engng med. Phys.* 1: 279-316.
- Chute FS, et al (1974) Radio tracking of small mammals using a grid of overhead wire antennas. *Can. J. Zool.* 52: 1481-1488.
- Collins, C. (1967) Miniature passive Pressure Transducer for implanting in the eye. *IEEE Trans. BME* 14, 74-83.
- Collins, C. (1967) Evoked pressure responses in the rabbit eye. *Science* 155, 106-108.
- Currie JC, et al (1967) The measurement of intracranial pressure using the pressure endoradiosonde. *J. Physiol.* 189:22-23.
- Danilevicius Z (1974) Telemetry - best detective in tracing CHD. *J. Am. med. Ass.* 299: 1475-1476.
- Davies DG & Roberts J (1972) An evaluation of cortical audiometry. *Proc. R. Soc. Med.* 65: 367-370.
- Erwin CW & Zung WW (1970) Behavioral and EEG criteria of sleep in humans. Comparison using radioootelemetry. *Archs gen. Psychiat.* 23: 375-377.
- Farrar, J.T., Zworykin, V.K. & Baum, J. (1957) Pressure-sensitive telemetering capsule for the study of gastrointestinal motility. *Science* 126,, 975-976. November 8.
- Fonster, F.G., Kupfer, D., Weiss, G., Lipponen, V., McPartland, R., & Delgado, J.M.R. (1972) Mobility recording and cycle research in neuropsychiatry. *J. interdiscipl. Cycle Res.* 3, 61-72.
- Franklin DL, et al (1966) Technique for radio telemetry blood flow velocity from unrestrained animals. *Am. J. med. Electron.* 5: 24-28.
- Fromm, E. (1983) Athick film hybrid implantable telemeter, *IEEE Eng. MBM.* 2, 38-41. Mar. 1983.
- Fryer TB (1974) Power sources for implanted telemetry system. *Biotelem.* 1, 31-40.
- Fryer TB (1974) A multichannel EEG telemetry system utilizing a PCM subcarrier. *Biotele.* 1: 202-216.
- Fryer TB & Sandler H (1974) A review of implant telemetry system. *Biotele.* 1: 351-374.
- Fryer TB et al. (1978) Telemetry of intracranial pressure, *Biotelem.* 5, 88-112.
- Fryer TB (1981) Survey of implantable telemetry. *Biotelemetry* 8: 125-130.
- Galbraith, D.C. et al (1987) A wide-band efficient inductive transdermal power and data link with coupling insensitive gain, *IEEE Trans. BME*, 34, No.4, 265.
- Gschwend, S.J., Knutti, J.W., Allen, H.V. & Meindl, J.D. (1979) A general purpose implantable multichannel telemetry system. *Biotele.* 6 (3): 107-117.
- Geddes LA (1962) A bibliography of biological telemetry. *Am. J. Med. Electronics* 1: 294-298.
- Geier S (1971) Minor seizures and behavior. *EEG clin.N.* 31: 499-507.
- Geier S (1971) A comparative tele-EEG study of adolescent and adult epeleptics. *Epilepsia* 12: 215-223.
- Geier S, et al (1974) A complete EEG radio-telemetry equipment. *EEG clin. N.* 37: 89-92.
- Geier S, et al (1975) Clinical note: clinical and tele-stereo-EEG findings in apatient with psychomotor seizures. *Epilepsia* 16: 119-125
- Giori FA (1967) Remote physiological monitoring using a microwave interferometer. *Biomed. Sci. Instrum.* 3: 291-308.
- Gofmann SS (1969) Radioelectroencephalogram recording in humans during work activity under industrial conditions. *Biul. eksp. Biol. Med.* 68: 13-16
- Greatbatch W (1984) Pacemaker power sources. *IEEE EMB* 3(2): 15.
- Greatbatch W (1984) Implantable pacemakers - a twenty five year journey. *3(4):* 24-26.
- Gruenberg EL (1967) Handbook of telemetry and remote control (McGrw-Hill, NY)
- Guey J, et al (1969) A study of the rhythm of petit mal absences in children in relation to prevailing situations. The use of EEG telemetry during psychological examinations, school exercises and periods of inactivity. *Epilepsia* 10: 441-451.
- Hanley J, et al (1969) Combined telephone and radiotelemetry of the EEG. *EEG clin. N.* 26: 323-324.
- Hanley J, et al (1972) Automatic recognition of EEG correlates of behavior in a chronic schizophrenic patient. *Am. J. Psychiat.* 128: 1524-1528.
- Hiller PK, et al (1974) Proceedings: an automatic wildlife tracking system. *Biomed. Sci. Instrum.* 10: 157-159.
- Huertas J & Westbrook RC (1970) A system for sensing and transmitting EEG. *EEG clin. N.* 28: 102-103.
- Hughes JR & Hendrix DE (1968) Telemetered EEG from a football player in action. *EEG clin. N.* 24: 183-186.

- Hutten H, et al (1971) A new apparatus for the continuous telemetric measurement of intracranial pressure in man. *Biomed. Tech., Stuttgart* 16: 170-172
- Ikeda K, Watanabe A, Saito M (1980) A new biomedical radio telemetry system employing a rotating magnetic field. *Biotelemetry* 7(1): 24.
- Ikeda K, Watanabe A & Saito M (1980) A radio-tracking system for studies of snake movement. *Biotelemetry* 7(1): 45.
- Itoh I, Morizono T, Okada S, Ishimura H, Iijima N, Kanauchi S, Shoji T (1980) Computerized radiotelemetry of gastrointestinal pressure. *Biotelemetry* 7(1):17.
- Ives JR, et al (1973) Acquisition by telemetry and computer analysis of 4-channel long-term EEG recordings from patients subject to 'petit-mal' absence attacks. *EEG clin. N.* 34: 665-668.
- Jacobson, B. & Mackay, R.S. (1957) A pH endoradiosonde. *Lancet* 1, 1224. June.
- Jeutter, D.C. (1982) A transcutaneous implanted battery recharging and biotelemetry power switching system. *IEEE Trans. BME.* 29, 314-321.
- Jeutter, D.C. (1983) Overview of biomedical telemetry techniques. *IEEE Eng. Med. Biol.* 2, 17. Mar.1983.
- Jeutter, D.C. (1983) Power sources for biotelemeters, *IEEE Eng. Med. Biol.* 2, 22-23. Mar.1983.
- Jobling, D.T., Smith, J.G. & Wheal, H.V. (1981) Active microelectrode array to record from the mammalian central neural system in vitro. *Med. Biol. Eng. Comput.* 19, 553-560.
- Kado R & Adey WR (1968) Electrode problems in central nervous monitoring in performing subjects. *Ann. NY Acad. Sci.* 148: 263-278.
- Kamp A & Van Leeuwen WS (1961) A two-channel EEG radio telemetering system. *EEG Clin. N.* 13: 803-806.
- Kimmich HP & Kreuzer F (1974) Trends in biomedical telemetry and patient monitoring. *Eurocon* 74: 2/7: 1-2.
- Knutti JW et al (1979) Chronically implantable instrumentation for medical research animals. *IEEE Trans. BME* 26: 539.
- Knutti, J.W., Allen, H.V. & Meindl, J.D. (1983) Integrated circuit implantable telemetry systems, *IEEE Eng. Med. Biol. Mag.* 2, 47-50.. Mar.1983.
- Ko WH & Neuman MR (1967) Implant biotelemetry and microelectronics: report on developments in implant telemetry, associated problems, and the potential of microelectronics. *Science* 156: 351-360.
- Ko, W.H. & Hyncek, J. (1974) Implant evaluations of nuclear power source - Beta-cell battery. *IEEE Trans. BME* 21, 238-241.
- Ko, W.H. & Spear, T.M. (1983) Packaging materials and techniques for implantable instruments. *IEEE Eng. Med. Biol.* 2, 24. Mar.1983.
- Kofes A (1969) The possibilities of telemetry of physiological data. *EEG clin. N.* 27: 628-629.
- Kupfer, D.J., Detre, T.P., Fonster, G., Tucker, G.J., & Delgado, J.M.R. (1972) The application of Delgado's telemetric mobility recorder for human studies. *Behav. Biol.* 7, 585-590.
- Van Leeuwen WS & Kamp A (1969) Radiotelemetry of EEG and other biological variables in man and dog. *Proc. R. Soc. Med.* 62: 451-453.
- Van Leeuwen WS, et al (1967) EEG of unrestrained animals under stressful conditions. *EEG clin. N. suppl.* 25: 212ff.?
- Legewie H, et al (1969) EEG changes during performance of various tasks under open- and closed-eye conditions. *EEG clin. N.* 27: 470-479.
- Leung, A.M. et al (1986) Intracranial pressure telemetry system using semicustom integrated circuits, *IEEE Trans. BME*, 33, No.4, 386-395.
- Long, F.M. & Weeks, R.W. (1983) Wildlife biotelemetry. *IEEE EMB* March 42.
- Mackay, R.S. & Jacobson, B. (1957) Endoradiosonde. *Nature* 179, 1239-1240. June.
- Mackay, R.S. (1961) Radio telemetry from within the body. *Science* 134, 1196.
- Mackay, R.S. (1963) Radio telemetry from inside the body. *New Sci.* 19, 650.
- Mackay, R.S. (1964) Galapagos tortoise and marine iguana deep body temperatures measured by radio telemetry. *Nature* 204, 355-358.
- Mackay, R.S. (1964) Deep body temperature of untethered dolphin recorded by ingested radio transmitter. *Science* 144, 864-866.
- Mackay, R.S. (1964) Dolphin telemetry. *Science* 145, 296.
- Mackay, R.S. (1968) *Bio-Medical Telemetry*, Wiley, New York, 388pp.
- MacKay RS (1969) *Biomedical telemetry: applications to psychology.* *Am. Psychol.* 24: 244-248.
- Mackay, R.S. (1970) *Bio-Medical Telemetry* (2nd ed.) John Wylie & Sons., New York.
- Mackay, R.S. (1974) Field studies on animals. *Biotelemetry* 1, 286-312.
- Mackay, R.S. & Dolphin, W. (1982) Monitoring feeding of great whales by ingested acoustic temperature transmitter. *Proc. of 7th Int'l. Symp. on Biotelemetry*, Stanford University.
- Mackay, R.S. (1983) *Biomedical telemetry: The formative years.* *IEEE Eng. MB.* 2, 11-17. Mar.1983.
- Manson G (1974) EEG radio telemetry. *EEG clin. N.* 37: 411-413.
- Mark VH, Ervin FR, Sweet WH & Delgado J (1969) Remote telemeter stimulation and recording from implanted temporal lobe electrodes. *Confinia neurol.* 31: 86-93.
- Marko, A., Murray, R.H., Kissen, A.T., & McGuire, D.M. (1967) A new versatile miniature multi-channel personal telemetry system for medical research. *Aerospace Med. Res. Labs., Rept. AMRL-TR*, pp.152-156.
- Marko, A., McLennan, M.A., & Correll, E.C. (1963) Research and development on pulse-modulated personal telemetry systems, *Aerospace Med. Res. Labs., AMRL-TDR-64-96*, PP.1-19.
- Manumoto Goro (1974) Fundamental design procedures of an inductance coil utilizing thin-film IC technique for biotelemetry. *Biotelem.* 1, 41.
- Manumoto G, Tsuchida Y, Yoshikawa T (1980) Measurement of the cat's EEG and ECG with a telemetry system in high DC electric fields. I: Tow-channel modified PDM/FM telemetry system to obtain from small animals. *Biotelemetry* 7(1): 34.
- McAleenan, R.N. (1976) Computer-aided biotelemetry system applied to free-swimming fish. *Biomed. Sci. Instrum.* 12, 29-32.
- McKean, B. & Gough, D. (1988) A telemetry-instrumentation system for chronically implanted glucose and oxygen sensors, *IEEE Trans. BME*, 35, No.7, 526.
- McNew JJ, et al (1971) The sleep cycle and subcortical-cortical EEG relations to the unrestrained chimpanzee. *EEG clin. N.* 30: 489-503.
- Meindl, J.D. (1980) Biomedical implantable microelectronics, *Science*, 210, 263-267.
- Meindl, J.D. (1984) Implantable telemetry in biomedical Research, *IEEE Trans. BME*, 31, No.12, 817.
- Michener MC & Walcott C (1967) Homing of pigeons - analysis of tracks. *J. exp. Biol.* 47: 99-131.

- "mind reading machine by DARPA", National Enquirer, 22 June, 1976. 00
- Neukomm PA (1974) A radio-controlled monitoring system for multichannel telemetry. *Biotelemetry* 1: 251-263.
- Nomura T (1984) Telemeter and tele-control. *Trans. IEICE (in Japanese)* p.208.
- Ohata S, Tanji J, Kato M & Matsumoto G (1980) Measurement of the cat's EEG and ECG with a telemetry system in high DC electric fields. II. Applications. *Biotelemetry* 7(1):
- Olsem ER, et al (1967) Intracranial pressure measurement with a miniature passive implanted pressure transducer. *Am. J. Surg.* 113: 727-729.
- Pauley JD, et al (1974) An implantable multichannel biotelemetry system. *EEG clin. N.* 37: 153-160.
- Pauley JD & Reite M (1981) A microminiature hybrid multichannel implantable biotelemetry system. *Biotele.* 8: 163-172.
- Polg P & Wolfgang H (1974) Telemetry of the EEG and EMG in the cat under the influence of psychotropic drugs. *Biotelemetry* 1: 264-172.
- Porter RJ et al (1971) Human electroencephalographic telemetry. *Am. J. EEG Technol.* 11: 145-159.
- Raloff, Janet (1991) *Science News*, Nov. 30, 1991. (the rice the implant)
- Reid, M.H., Mackay, R.S. & Lantz, B. (1980) Noninvasive blood flow measurements by Doppler ultrasound with applications to renal artery flow determination. *Investigative Radiology* 15, 323-331.
- Reite M & Walker SD & Pauley JD (1973) Implantation surgery in infant monkeys. *Lab. Primate Newl.* 41: 1-6.
- Reite M, et al (1974) A system approach to studying physiology and behaviors in infant monkeys. *J. Appl. Physiol.* 37: 417-423.
- Rideout CB (1974) Proceedings: radio tracking the Rocky Mountain goat in Western Montana. *Biomed. Sci. Instrum.* 10: 139-143.
- Robinson BW & Warner H (1967) Telestimulation of the primate brain. *Archs phys. Med. Rehabil.* 48: 467-473. 041ç
- Robinson BW (1969) Brain telestimulation in primates. *Am Psychol.* 24: 248-250.
- Rokushima, H. (1969) A multi-channel PWM/FM radio-telemetry system for EEG, Proc. 22nd Ann. Conf. on Engineering in Medicine and Biology (Chicago, Ill.)
- Roy OZ (1971) Biological energy sources. A review. *Biomed. Eng.* 6:250-256.
- Saleman, M. & Bak, M.J. (1973) Design, Fabrication, and in vivo behavior of chronic recording intracortical microelectrodes. *IEEE Trans. BME* 20, 253-260.
- Seo H & Matsuo T (1989) Manufacture of custom CMOS LSI for an implantable multipurpose biotelemetry system. *Frontiers Med. Biolog. Eng.* 1(4): 319-329.
- Shafer WA (1967) Telemetry on man without attached sensors. *NY St. J. Med.* 67: 2832-2837.
- Shirer HW & Downhower JF (1968) Radio tracking of dispersing yellow bellied marmots. *Trans. Kans. Aca. Sci.* 71: 463-479. 041ç
- Simonova O, et al (1969) Correlation between EEG criteria and attentive behaviour. *EEG clin. N.* 26: 447.
- Simonova O & Legewie H (1969) EEG changes under different conditions. *EEG clin.N.* 27: 627.
- Simons DG & Prather W (1964) A personalized radio telemetry system for monitoring central nervous system arousal in aerospace flight. *IEEE Trans. Biomed. Engin.* 11: 40.
- Skutt, H.R., Fell, R.B., & Kertzer, R. (1970) A multichannel telemetry system for use in exercise physiology, *IEEE Trans. Bio-Medical Eng.*, 17, 339-348.
- Slater, L. (ed.) (1963) *Biotelemetry*, New York, Pergamon Press.
- Smith EN (1974) Multichannel temperature and heart rate radio telemetry transmitter. *J. appl. Physiol.* 36: 252-255.
- Sperry CJ (1968) Implantable stimulator and transmitter for telemetry of evoked potentials during defensive behavior. *Biomed. Sci. Instru.* 4: 119-124.
- Stalberg E (1969) Telemetric long-term EEG recording. *EEG clin. N.* 26: 341.
- Stevens JR (1969) Localization of epileptic focus by protracted monitoring of EEG by radio telemetry. *Epilepsia* 10: 420.
- Stevens JR, et al (1969) Prolonged recording of EEG by radiotelemetry: an aid to localization and treatment of epilepsy. *EEG clin. N.* 27: 544.
- Stevens JR, et al (1969) Statistical characteristics of spontaneous seizure discharges recorded by radiotelemetry over 24 hour periods in man. *EEG clin. N.* 27: 691.
- Stevens JR, et al (1971) Ultradian characteristics of spontaneous seizure discharges recorded by radio telemetry in man. *EEG clin. N.* 31: 313-325.
- Stevens JR, et al (1972) Seizure occurrence and interspike interval. *Telemetered eeg studies.* *Archs. Neurol. (Chicago)* 26: 409-419
- Stong, C.L. (1968) Amateur scientist. *Scien. Am.* 218, 128-135.
- Sudo M et al. (1987) Low supply-voltage driving telemetering IC for biological signals. *Trans. IEICE (in Jap)* J70-D(12): 2754.
- Takahashi K & Matsuo T (1984) Integration of multi-microelectrode and interface circuits by silicon planar and three-dimensional fabrication technology. *Sensors and Actuators* 5, 89-99.
- Takeuchi Y & Hogaki M (1980) Radiotelemetry of fetal and maternal signals for live fetal monitoring. *Biotelemetry* 7(1): 42.
- Towe, C.B. (1986) Passive biotelemetry by frequency keying. *IEEE Trans. BME.* 33, No.10, 905.
- Trotter, Robert J. (1974) A Shocking Story, *Science News*, April 13, 1974. 041ç
- Updike SJ, et al (1972) Patient monitoring by radiotelemetry. *J. Ass. adv. med. Instrum.* 6: 240-244.
- Upson RB, et al (1968) An improved remote brain stimulator and EEG transmitter for small animals. *Biomed. Sci. Instrum.* 4: 164-170.
- van Veelen et al (1990) Combined use of subdural and intracerebral electrodes in preoperative evaluation of epilepsy. *Neurosurg.* 26(1): 93-101.
- Vidart L & Geier S (1968) Telemetric recording in epileptic subjects while at work. *EEG clin. N.* 25: 93.
- Vidart L & Geier S (1969) Radiotelemetric EEG study of adult epileptics.
- Vidart L & Geier S (1970) From epilepsy to the epileptic: a tele-EEG study of adult epileptic subjects. *EEG clin. N.* 29: 103.
- Vreeland R, Collins C, et al (1963) A subminiature radio EEG telemeter for studies of disturbed children. *EEG Clin. Neurophysiol.* 15: 327-329.
- Vreeland RW, et al (1971) A compact six-channel integrated circuit EEG telemeter.

EEG clin. N. 30: 240-245.

- Walker AE & Marshall C (1964) The contribution of depth recording to clinical medicine. EEG Clin. N. 16: 88-99.
- Watson NW, et al (1968) Backpack for free-ranging primates. J. appl. Physiol. 24: 252-253.
- Yoshii N, et al (1966) Studies on the neural basis of behavior by continuous frequency analysis of EEG. Prog. Brain Res. 21: 217-250.
- Ysenbrandt et al (1976) Biotelemetry, literature survey of the past decade. Biotele. 3: 145-250.
- Zweizig JR, et al (1972) EEG monitoring of a free-swimming diver at a working depth of 15 meter. Aerospace Med. 43: 403-407.
- Zworykin VK et al (1961) The measurement of internal physiological phenomena using passive-type telemetering capsules. IRE Int. Conv. Rec. 9: 141-144.

## ELECTRONIC HOUSE ARREST

- Alexander E & Alexander L (1985) Electronic monitoring of felons: threat or boon to civil liberties. Social Theory and Practice 11: 89-95.
- Ball RA & Lilly JR (1986) A theoretical examination of home incarceration. Fed. Probation March: 17-24.
- Beck B (1969) Commentary: Issues in the use of an electronic rehabilitation system with chronic recidivists. Law & Soc R 3: 611-14.
- Berry B (1985) Electronic jails: a new criminal justice concern. Justice Quarterly 2: 1-22.
- Byrne et al (1988) Understanding the limits of technology: an examination of the use of electronic monitoring in the criminal justice system. Perspectives Spring: 30-37.
- Badigan TP (1991) Electronic monitoring in federal pretrial release. Fed. Prob. 55(1): 26-30.
- Carmen RV (1986) Legal issues in probation. Fed. Prob. 50(2): 60-69.
- Caasady J (1975) The electronic watchdog we shouldn't use. Psychol Today January: 84.
- Charles MT (1989) The development of a juvenile electronic monitoring program. Fed. Prob. 53(2): 3-12.
- Conrad JP (1983) News of the future: Research and development. Federal Prob. 47: 54-55.
- Electronic monitoring devices (1986) Corrections Today 48: 72.
- Ford D & Schmidt AK (1985) Electronically monitored home confinement. NIJ Reports, SNI 194, Nov. 1985, 2-6.
- Fried C (1968) Privacy. Yale Law Journal 77: 475. [re. Schwitzgebel machine]
- Friel CM & Vaughn JB (1986) A consumer's guide to the electronic monitoring of probationers. Fed. Prob. 50(3): 3-14.
- Gabble RK (1986) Application of personal telemonitoring to current problems in corrections. J. Criminal Justice 14: 167-176.
- Ingraham BL & Smith GW (1972) The use of electronics in the observation and control of human behavior and its possible use in rehabilitation and control. Crime and Justice 1971-1972, p.363-377.
- King DB (1964) Electronic surveillance and constitutional rights: some current developments and observations. George Washington Law Review 33: 240.
- Krajick K (1983) Electronic surveillance makes a comeback. Police Magazine March.
- Krech D (1966) Controlling the mind-controllers. Think 32(July-August): 2.
- Los Angeles Free Press (1972) Wiretapping your body. July: 7-13.
- Man, Daniel (1987) Beepers in kids' heads could stop abductors. Las Vegas Sun, October 27, 1987. 60
- Marx GT (1985) The new surveillance. Technology Review May-June 45: 43-48?
- Marx GT (1985) I'll be watching you. Dissent Winter: 26-34.
- McCarthy BR ed. (1987) Intermediate Punishments: Intensive Supervision, Home Confinement and Electronic Surveillance. Monsey, NY: Willow Tree Press.
- Meyer, J.A. Crime Deterrent Transponder System, IEEE Trans. AES, 7, No.1.
- Miller AS (1964) Technology, social change and the constitution. George Washington Law Review 33: 17.
- New York Times (1969) Psychologist tests electronic monitoring to control parolees. September 7, 1969, p.85.
- New York Times (1969) Tiny radio monitors prisoner behavior, November 15, p.53.
- Notes (1966) Anthropotelemetry: Dr. Schwitzgebel's Machine. Harvard Law Review 80: 403-421.
- Papy JE & Nimer R (1991) Electronic Monitoring in Florida. Fed. Prob. 55(1): 31-33.
- Peck K (1988) High-tech house arrest. The Progressive July: 26-28.
- Petersilia J (1986) Exploring the option of house arrest. Fed. Prob. 50(2): 50-55.
- Renzema M & Skelton DT (1990) The use of electronic monitoring in the United States: 1989 update. NIJ Reports, Nov/Dec. 9-14.
- Reubhausen OM & Brim OG (1965) Privacy and behavior research. Columbia Law Review 65: 1184.
- Rogers CR & BF Skinner (1956) Some issues concerning the control of human behavior. Science 124: 1057.
- Rorvik D (1974) Behavior control: Big brother comes. Intellectual Digest January: 17-20.
- Sanders CW (1994?) The Seven Signs of the Last Days.
- Schmidt AK (1986) Electronic monitors. Fed. Prob. 50(2): 56-59.
- Schmidt AK (1987) Electronic monitoring: who uses it, how much does it cost, does it work? Corrections Today 49: 28+.
- Schmidt AK (1991) Electronic monitors - realistically, what can be expected? Fed. Prob. 55(2): 47-53.
- Schwitzgebel RK (1964) A program for research in behavior electronics. Behav. Sci. 9: 233-238.
- Schwitzgebel RK (1967) Electronic innovation in the behavioral sciences: a call to responsibility. Am. Psychologist 22(5): 364.
- Schwitzgebel RK (1968) Electronic alternatives to imprisonment. Lex et Scientia 5(3): 99-104.
- Schwitzgebel RL (1969) A Belt from Big Brother. Psychology Today 2(11): 45-47, 65.



- Schwitzgebel RK (1969) Development of an electronic rehabilitation system for parolees. *Law and Computer Technology* 2(3): 9-12.
- Schwitzgebel RK (1969) Issues in the use of an electronic rehabilitation system with chronic recidivists. *Law & Soc R* 3: 597-611.
- Schwitzgebel RK & Hurd WS (1969) Behavioral supervision system with wrist carried transceiver. Pat. No. 3,478,344. *Official Gazette* 1969:12 (?)
- Schwitzgebel RL and Bird RM (1970) Sociotechnical design factors in remote instrumentation with humans in natural environments. *Behaviour Research Methods and Instrumentation* 2.
- Schwitzgebel, Robert L. & Schwitzgebel, Ralph K., eds. (1973) *Psychotechnology*. NY, Rinehart, and N.Y. John Wiley & Sons [Monahan, J. (1984) *A.J.P.* 141(1). 10]
- Walker JL (1990) Sharing the credit, sharing the blames: managing political risks in electronically monitored house arrest. *Fed. Prob.* 54(2): 16-20.
- Winkler, Max (1993) Walking prisons: the developing technology of electronic controls. *Futurist* July/August : 34-49.

## NAVIGATION SATELLITE

- Burgess L & Munro N (1993) Security concerns may hinder GPS expansion. *Defense News* Apr 26 - May 2: 4.
- Collins Avionics Develops New Hand-Held GPS Unit. (1992) *Defense News* Sep 21-27: 18.
- Maggs W (1991) Pentagon fears global march of GPS technology. *Defense Week* Aug 26: 2.
- Navstar system. IDR0@ 7/1981:937, 7/1983:989 [Rockwell contract]
- Sundaram GS (1979) NAVSTAR/GPS: a unique US high-precision worldwide navigation system. IDR 7/1979: 1142-1146.

## ELE -> SCALP -> CORTEX (TRANSCUTANEOUS STIMULATION)

- Amassian VE & Cracco RQ (1987) Human cerebral cortical responses to contralateral transcranial stimulation. *Neurosurgery*. 20: 148-155.
- Amassian VE, Cadwell J, Cracco RQ & Maccabee PJ (1987) Focal cerebral and peripheral nerve stimulation in man with the magnetic coil. *J. Physiol.* 390:29P.
- Amassian VE, Quirk GJ & Stewart M (1987) Magnetic coil versus electrical stimulation of monkey motor cortex. *J. Physiol.* 394:119P.
- Amassian VE et al (1987) Physiological basis of motor effects of a transient stimulus to cerebral cortex. *Neurosurgery* 20:74-93.
- Amassian VE et al (1988) Suppression of human visual perception with the magnetic coil over occipital cortex. *J. Physiol.* 398:408P.
- Amassian VE et al (1988) Focal magnetic coil activation of human motor cortex elicits a sense of movement in ischemically paralyzed, distal arm. *J. Physiol.* 403:75P.
- Amassian VE et al (1989) Focal stimulation of human cerebral cortex with the magnetic coil: a comparison with electrical stimulation. *EEG Clin. N.* 74, 401-416.
- Amassian VE et al. (1991) Paraesthesias are elicited by simple pulse, magnetic coil stimulation of motor cortex in susceptible humans. *Brain* 114: 2505-2520.
- Ananav MG et al (1960) *Anesthesiology* 24: 215. [ele -> anesthesia]
- Barker AT, Freeston IL, Jalinous R, Merton PA & Morton HB (1985) Magnetic stimulation of the human brain. *J. Physiol.* 369:3P.
- Barker AT et al (1985) Non-invasive magnetic stimulation of the human motor cortex. *Lancet* i: 1106-1107.
- Barker AT et al (1986) Clinical evaluation of conduction time measurements in central motor pathways using magnetic stimulation of the human brain. *Lancet* i: 1325-1326.
- Barker AT et al (1987) Magnetic stimulation of the human brain and peripheral nervous system: an introduction and the results of an initial clinical evaluation. *Neurosurgery* 20: 100-109.
- Cowan JMA et al (1984) Abnormalities in central motor pathway conduction in multiple sclerosis. *Lancet* ii: 304-307.
- Cowan JMA et al (1986) The effect of percutaneous motor cortex stimulation on H reflexes in muscles of the arm and leg in intact man. *J. Physiol.* 377: 333-347.
- Cracco RQ et al (1989) Comparison of human transcortical responses evoked by magnetic coil and electrical stimulation. *EEG clin. N.* 74:417-424.
- Day BL et al (1986) Differences between electrical and magnetic stimulation of the human brain. *J. Physiol.* 378: 36P.
- Day BL et al (1987) A comparison of the effects of cathodal and anodal stimulation of the human motor cortex thru the intact scalp. *J. Physiol.* 394: 118P.
- Day BL et al (1987) Motor cortex stimulation in intact man. 2. Multiple descending volleys. *Brain* 110: 1191-1209.
- Day BL et al (1988) Differential effect of cutaneous stimuli on responses to electrical or magnetic stimulation of the human brain. *J. Physiol.* 399: 68
- Fabian LW et al (1964) *Anesth. Analg. Curr. Res.* 43: 87. [ele -> anesthesia]
- Flach A (1958) *Anesthetist* 7: 180. [ele -> anesthesia]
- Geddes LA (1965) *Med. Elec. Biol. Eng.* 3: 11. [ele -> anesthesia]
- Geddes LA (1987) Optimal stimulus duration for extracranial cortical stimulation. *Neurosurgery* 20: 97-99.
- Hassan NF et al (1985) Unexposed motor cortex excitation by low voltage stimuli. In: Morocutti C & Rizzo PA Eds. *Evoked Potentials: Neurophysiological and Clinical Aspects*. Elsevier, Amsterdam. 107-113.
- Hess CW et al (1987) Responses in small hand muscles from magnetic stimulation of the human brain. *J. Physiol.* 388: 397-419.
- Hill DK, McDonnell MJ & Merton PA (1980) Direct stimulation of the adductor pollicis in man. *J. Physiol.* 300: 2P-3P. [ele - skin ->]
- Maccabee PJ, Amassian VE, Cracco RQ & Cadwell JA (1988) An analysis of peripheral motor nerve stimulation in humans using the magnetic coil. *EEG clin. N.* 70: 524-533.
- Marsden CD, Merton PA & Morton HB (1983) Direct electrical stimulation of corticospinal pathways through the intact scalp in human subjects. *Adv. Neurol.* 39: 387-391.
- Merton PA & Morton HB (1980) Stimulation of the cerebral cortex in the intact human subject. *Nature* 285: 227.

- Merton PA & Morton HB (1980) Electrical stimulation of human motor and visual cortex through the scalp. *J. Physiol.* 305: 9P-10P.
- Mills et al (1987) Magnetic and electrical transcranial brain stimulation: physiological mechanisms and clinical applications. *Neurosurgery* 20: 164-168.
- Rosenthal J et al (1967) An analysis of the activation of motor cortical neurons by surface stimulation. *J. Neurophysiol.* 30: 844-858.
- Rossini PM et al (1987) Mechanisms of nervous propagation along central motor pathways: non-invasive evaluation in healthy subjects and in patients with neurological disease. *Neurosurgery* 20: 183-191.
- Rothwell JC et al (1987) Some experiences of techniques for stimulation of the human cerebral motor cortex through the scalp. *Neurosurgery* 20: 156-163.
- Rothwell JC et al (1987) Motor cortex stimulation in intact man. 1. General characteristics of EMG responses in different muscles. *Brain.* 110: 1173-1190.
- Stephen V (1959) *Med. J. Australia* 1: 831. [ele -> anesthesia]

## HEAD – MAGNETIC FIELD (MEG)

- Brenner D, Williamson SJ & Kaufman L (1975) Visually evoked magnetic fields of the human brain. *Science* 190: 480. [SQUID <- mf]
- Brenner D, Williamson SJ & Kaufman L (1978) Somatically evoked magnetic fields of the brain. *Science* 199: 81-83.
- Cohen D (1968) *Science* 161: 784. [head -> mf]
- Cohen D (1972) *Science* 175: 664. [head -> mf]
- Cohen D (1975) *IEEE Trans. Magn.* 11: 694. [head -> mf]
- Cohen D et al (1980) *Proc. Nat. Acad. Sci.* 77: 1447. [human hair -> mf]
- Farrell, E.E., Tripp, J.H., Norgren, R., Teyler, T.J. (1980) A study of the auditory evoked magnetic field of the human brain. *EEG clin. Neurol.* 49: 31-37.
- Goff GD, Matsumiya Y, Allison T & Goff WR (1977) The scalp topography of human somatosensory and auditory evoked potentials. *EEG clin. N.* 42: 57-76.
- Gutman AU & Morgenshtern AM (1977) Possible mechanism of generation of MEG. *Biofizika* 22(3) < May/June 1977.
- Hughes JR et al (1977) Relationship of the MEG to abnormal activity in the EEG. *J. Neurol.* 217(2), Dec. 13.
- Hughes JR et al ( ) Relationship of MEG to the EEG: Normal wake and sleep activity. *Clinical Neurophysiology* 40(3)
- Reite M & Zimmerman JE (1978) The magnetic phenomena of the central nervous system. *Ann. Rev. Biophys. Bioeng.* 7: 167-188.
- Reite M, Zimmerman JE, Edrich J & Zimmerman JT (1976) The human magnetoencephalogram: some EEG and related correlations. *EEG clin. N.* 40: 59-66.
- Reite M, Edrich J, Zimmerman JT & Zimmerman JE (1978) Human magnetic auditory evoked fields. *EEG clin. N.* 45, 114-117.
- Silver AH & Zimmerman JE (1967) *Phys. Rev.* 157: 317. [SQUID]
- Teyler TJ, Cuffin BN & Cohen D (1975) The visual evoked magnetoencephalogram. *Life Sci.* 17: 683-692.
- Taz CA & Thakor NV (1986) Monitoring brain electrical and magnetic activity. *IEEE Eng. M.B.* 5(3): 11-15.
- Zimmerman JE et al (1970) *J. Appl. Phys.* 41: 1572. [SQUID]
- Zimmerman JE (1977) SQUID instruments and shielding for low level magnetic measurements. *J. Appl. Phys.* 48: 702-710.

## MIND-READING MACHINE

- Caylor, Ron (1976) Government working on machine that can read your mind. *The National Enquirer* Jun 22, 1976 [Burdick(1981)]
- Glenn JC (1989) Conscious Technology: the co-evolution of mind and machine. *Futurist* Sep/Oct 1989.
- Mind-reading computer. *Futurist* May/June 1992, p.49.

## MAGNETIC — BIOEFFECTS

- Alerstam, T. (1983) Role of the geomagnetic field in the development of bird's compass sense. *Nature* 306, 413.?
- Baker, R. (1980) Goal orientation in blindfolded humans after long distance displacement: possible involvement of a magnetic sense. *Science* 210, 555.
- Baker, R. (1983) Magnetic bones in human sinuses. *Nature* 301, 78.
- Baker R (R0Eäiärd00Eäx0[äJ0]) üwE|e+e'ö\_inè|eöèæµ9Zè.-ÄÑICè\_e|é'è\_0|0x
- Becker, R.O. (1963) The biological effects of magnetic fields - a survey. *Med. Electron. Biol. Eng.* 1, 293.
- Becker, R.O., Bachman, C.C.H., & Friedman, H. (1962) *N.Y. State J. Med.* 62, 1169.
- Becker, R.O. (1963) Relationship of geomagnetic environment to human biology. *N.Y. State J. Med.* 63, 2215.
- Bell, G.B. et al (1992) Alterations in brain electrical activity caused by magnetic fields: detecting the detection process. *EEG Clin. N.* 83(6), 389-397.
- Blakemore, R. (1975) Magnetotactic bacteria. *Science* 190, 377.
- Gaffey, C.T. & Tenforde, T.S. (1981) Alterations in the rat electrocardiograph induced by stationary magnetic fields. *BEM* 2, 357-370.
- Gould, J.L., et al (1978) Bees have magnetic remanence. *Science* 202, 1026.?
- Gould, J.L. (1993) Magnetic senses: birds lost in the red. *Nature* 364(6437) 491.
- Hays, J.D. & Opdyla, N.D. (1967) Antarctic radiolaria, magnetic reversals and climatic change. *Science* 158, 1001.
- Jafary-Asl et al (1983) *J. Biological Physics* 11: 15. [nuclear magnetic resonance -> yeast growth]
- Keeton, W. (1971) Magnets interfere with pigeon homing. *Proc. Nat. Acad. Sci. US* 68, 102.
- Semm, P. (1980) Effect of Earth strength magnetic field on electrical activity of pineal cells. *Nature* 288, 607.
- Semm, P. (1983) Neurobiological investigations on the magnetic sensitivity of the pineal gland in rodents and pigeons. *J. Comp Physiol B Biochem Sys Environ Physiol* 76, 683-689.

Senn, P. et al (1984) Neural basis of the magnetic compass: interactions of visual, magnetic, and vestibular inputs in the pigeons' brain. *J Comp Physiol A sens Neural Behav Physiol* 155, 183-288.

## MAGNETIC STIMULATION OF THE BRAIN ( MSB)

Barker AT et al. (1985) Non-invasive magnetic stimulation of human motor cortex. *Lancet* i: 1106-1107.

Benzel EC et al (1993) Magnetic Source Imaging: a review of the Magnes system of Biomagnetic Technologies Incorporated. *Neurosurgery* 33(2): 252-259.

Biomagnetic Technologies: Magnetic Source Imaging (MSI) Magnes biomagnetometer.  
*Neurosurgery* 33(1): 166-168. [\$2,500,000]

Cohen LG et al. (1990) Effects of coil design on delivery of focal magnetic stimulation: Technical considerations. *EEG clin. N.* 75: 350-357.

Day BL, Kick JPR, Marsden CD & Thompson PD (1986) Differences between electrical and magnetic stimulation of the human brain. *J. Physiology* 378: 36P.

Day BL et al. (1987) Different sites of action of electrical and magnetic stimulation of the human brain. *Neuroscience Letters* 75: 101-106.

Hess CW, Mills KR & Murray NMF (1986) Magnetic stimulation of the human brain: The effects of voluntary muscle activity. *J. Physiology* 378: 37P.

Hess CW, Mills KR & Murray NMF (1987) Responses in small hand muscles from magnetic stimulation of the human brain. *J. Physiology* 388: 397-419.

Kamada K et L (1993) Functional Neurosurgical stimulation with brain surface magnetic resonance Images and magnetoencephalography. *Neurosurgery* 33(2): 269-273.

Maccabee PJ, Amassian VE, Craoco RQ et al (1988) Focal magnetic coil stimulation of human frontal cortex elicits speech related motor activity. *Soc. Neuroscience Abstracts*. 14: 159.

Pascual-Leone A et al. (1994) Responses to rapid-rate transcranial magnetic stimulation of the human motor cortex. *Brain* 17(4): 847-858

Seki Y et al (1990) Transcranial magnetic stimulation of the facial nerve: recording technique and estimation of the stimulated site. *Neurosurg* 26(2): 286-290.

Tokimura H et al (1993) Transcranial magnetic stimulation excites the root exit zone of the facial nerve. *Neurosurgery* 32(3): 414-416.

## MOSCOW SIGNAL

Anderson, Jack (1972) Washington Merry-Go-Round: "Brainwash" attempt by Russians? *Washington Post* 1972.5.10

Anderson, J. (1975) Soviets aim rays at U.S. *The Paterson News*. 1975.5.16.

Berkley C (1976) A new occupational disease? - of diplomats. *Editorial. Med. Res. Eng* 12(3), 3-7.

Gwertzman, B. (1976) Moscow rays linked to U.S. bugging. *NYT* 1976.2.26. P.1,4

Gwertzman, B. (1976) US radio spying in Soviet suffers: microwaves end usefulness of embassy's listening post in Moscow. *NYT* 1976.5.2. P.9

Gwertzman, B. (1976) Soviet dims beam at U.S. Embassy, *NYT* 1976.7.8. P.1,10

Pursglove, S.D. (1966) The eavesdroppers: Fallout from R&D, *Electronic Design* 14(15):34-49.

Shipler, D.K. (1976) U.S. radiation report worried foreign diplomats in Moscow, *NYT* 1976.2.11

The microwave furor, *Time* 1976.3.22, 2.23.

Toth, R.C. (1976) Soviet radiation at U.S. Embassy, *NYT* 1976.2.7

Wren, C.S. (1976) Bugging in Moscow causes Health scare. *NYT* 1976.2.9 P.4

## MICROWAVE & ELF

Adey, W.R., Bell, F.R. & Dennis, B.J. (1962) Effects of LSD, psilocybin and psilocin on temporal lobe EEG patterns and learned behavior in the cat. *Neurology* 12, 591-602.

Adey, W.R., Kado, R.T., & Didio, J. (1962) Impedance measurements in brain tissue of animals using microvolt signals. *Exp. Neurol.* 5, 47-66.

Adey, W.R., Kado, R.T., Didio, J., & Schindler, W.J. (1963) Impedance changes in cerebral tissue accompanying a learned discriminative performance in the cat. *Exp. Neurol.* 7, 259-281.

Adey, W.R. & Walter, D.O. (1963) Application of phase detection and averaging techniques in computer analysis of EEG records in the cat. *Exp. Neurol.* 7, 186-209.

Adey, W.R., Dado, R.T., McIlwain, J.T. & Walter, D.O. (1966) The role of neuronal elements in regional cerebral impedance changes in alerting, orienting and discriminative responses. *Exp. Neurol.* 15, 490-510.

Adey, W.R., Elul, R., Walter, R.D., & Crandall, P.H. (1966) The cooperative behavior of neuronal population during sleep and mental tasks, *Proc. Am. Electroenceph. Soc.* 86.

Adey, W.R. (1972) Organization of brain tissue: is the brain an noisy processor? *Int. J. Neurosci.* 3, 271-284.

Adey, W.R. (1980) Frequency and power windowing in tissue interactions with weak electromagnetic fields. *Proc IEEE* 68, 119.

Adey, W.R. (1981) Tissue interactions with non-ionizing electromagnetic fields. *Physiol. Rev.* 61: 435-514.

Albert, E.N. & De Santis, M. (1975) Do microwaves alter nervous system structure? *Ann. NY Acad. Sci.* 247, 87-108.

Baldwin, M.S., Bach, S.A., & Lewis, S.A. (1960) Effects of radio frequency energy on primate cerebral activity. *Neurol.* 10, 178-187.

Baranski, S., & Edelwejn, Z. (1968) Studies on the combined effect of microwaves and some drugs on bioelectric activity of the rabbit CNS, *Acta Physiol. Pol.* 19, 37-50

Baranski, S. & Czernski, P. (1976) *Biological Effects of Microwaves*. Stroudsburg, PA: Dowden, Hutchinson, and Ross, Inc.

- Bassett, C.A.L., Pawluk, R.J. & Becker, R.O. (1964) Effects of electric currents on bone in vivo. *Nature* 204, 652.
- Bassett, C.A.L., et al (1974) Augmentation of bone repair by inductively coupled em fields. *Science* 184, 575-577.
- Bassett, C.A.L. et al (1974) Acceleration of fracture repair by em fields. a surgically non-invasive method. *Ann. N.Y. Acad. Sci.* 238, 242-249.
- Bawin, S.M., Kaczmarek, L.K., & Adey, W.R. (1975) Effects of modulated VHF fields on the central nervous system. *Ann. NY ad.Sci.* 247, 74-81.
- Becker RO, Bachman CH & Slaughter WC (1962) The longitudinal direct current gradients of spinal nerves. *Nature* 196: 67
- Becker RO & Brown RM (1965) Photoelectric effects in human bone. *Nature* 206: 1325.
- Becker, R.O. (1965) The neural semiconduction control system and its interaction with applied electrical current and magnetic fields, presented at the 21th Int. Cong. Radiology, Sept. 1965.
- Becker, R.O. (1974) The basic biological data transmission and control system influenced by electrical forces. *Ann. N.Y. Acad. Sci.* 238, 236-241.
- Becker, R.O. (1985) *The Body Electric*. (NY, William Morrow)
- Becker, R.O. (1985) A theory of the interaction between DC and ELF em fields and living organisms. *J. Bioelectricity* 4, 133-142.
- Becker, R.O. (1990) *Cross Currents*
- 06 "Biological effects of electric and magnetic fields associated with proposed project seafarer," Rep. of the Committee on Biosphere Effects of Extremely Low-Frequency Radiation, Division of Medical Sciences, Assembly of Life Sciences, National Research Council, National Academy of Sciences, 1977.
- 00 Boffey, P.M. (1976) Project Seafarer: critics attack National Academy's review group. *Science* 192, 1213-1215. [Project Sanguine]
- 06 Boffey, P.M.(?) (1976) *Science* 193, 653-656. [Project Sanguine] 06iq
- 00 Borth, D.E. & Cain, C.A. (1977) Theoretical analysis of acoustic signal generation in materials irradiated with microwave energy. *IEEE Trans. MTT* 25, 944-954.
- 0n Brodeur, Paul (1977) *The Zapping Of America*. (NY, W.W.Norton & Company)
- # Brodeur, Paul (1989) *Currents of Death*. Simon & Schuster, New York.
- 00 Brownell, W.E. et al (1985) Evoked mechanical responses of isolated cochlear outerhair cells. *Science* 227, 194-196.
- # Bruce-Wolfe, V. & Adair, E.R. (1985) Operant control of convective cooling and microwave irradiation by the squirrel monkey, *BEM* 6, 365-380.
- 0f Burden, S.J., McKay, R.D. (1990) Quantum mechanics of synapses, *Cell* 63, 7.E+6{/EA
- 00 Burr HS & Northrup FSC (1935) The electrodynamic theory of life. *Quart. Rev. Biol.* 10: 322.
- 06 Campbell HJ (1971) *Smithsonian Oct. 1971*. [Sensory input normally stimulates the pleasure center of the brain]
- 06 Cleary, S.F. (1977) Biological effects of microwave and radiofrequency radiation, *CRC Crit. Rev. Environ. Contr.* 7, 121-166.
- # Cleary, S.F. (1980) Microwave cataractogenesis. *Proc IEEE* 68, 49.
- 06 *Compilation of Navy Sponsored ELF Biomedical and Ecological Research Reports, Vols. I and II (Feb. 1975). Vol. III (Jan. 1977).*
- Bethesda, MD: Naval Medical Research and Development Command, Feb. 1975. [available from the National Technical Information Service, Springfield, VA 22161]
- 06 Cope, F.W. (1971) Negative temperature coefficients in neurons. *Physiol. chemist. phys.* 3, 403.
- 06 Cope, F.W. (1974) Superconductivity of nerves. *Physiol. chemistry and physics.* 6, 405.
- 06 Cope, F.W. (1975) A review of the applications of solid state physics concepts to biological systems. *J. biological physics.* 3, 1.
- 0f Cox CF et al. (1993) A test for teratological effects of power frequency magnetic fields on chick embryos. *IEEE BME* 40(7): 605-610. [10 micT-> negative effects]
- 00 D'Andrea, J.A., Gandhi, O.P., & Lords, J.L. (1977) Behavioral and thermal effects of microwave radiation at resonant and nonresonant wave lengths. *Radio Sci.* 12(6S), 251-256.
- 00 D'Andrea, J.A., et al (1979) Physiological and biological effects of chronic exposure to 2450 MHz microwaves. *J. microwave Power* 14, 351-362.
- 00 D'Andrea, J.A. et al (1980) Physiological and biological effects of prolonged exposure to 915 MHz microwaves. *J. microwave Power* , 15, 123-136.
- 00 D'Andrea, J.A. et al (1986) Behavioral and physiological effects of chronic 2450 MHz microwave irradiation of the rat at 0.5 mW/cm2. *BEM* 7, 45-56.
- 00 D'Andrea, J.A. et al (1986) Intermittent exposure of rats to 2450 MHz microwaves at 2.5 mW/cm2: behavioral and physiological effects. *BEM* 7, 315-328.
- 06 de Lorge, J. (1973) Operant behavior of rhesus monkeys in the presence of extremely low frequency - low intensity magnetic and electric fields: Experiment 2, NAMRL-1179, Pensacola, FL: Naval Aerospace Medical Research Laboratory, Mar. 1973.
- 06 de Lorge, J. (1974) A psychobiological study of rhesus monkeys exposed to extremely low frequency low intensity magnetic fields, NAMRL-1203, Pensacola, FL: Naval Aerospace Medical Research Lab. May 1974.
- # de Lorge, J.O. (1984) Operant behavior and colonic temperature of Macaca mulatta exposed to radio frequency fields at and above resonant frequencies. *BEM* 5 , 233-246.
- 06 DelGiudice, S., Doglia, S., Milani, M. et al (1989) Magnetic flux quantization and Josephson behavior in living systems. *Physica Scripta* 40, 786.?
- 06 Delgado JMR, Monteagudo JL, Garcia-Garcia M, Leal J (1981) Teratogenic effects of weak magnetic fields. *IRCS Med Sci* 9:42-48.?
- # Delgado, J.M.R. et al (1982) Embryological changes induced by weak, extremely low frequency electromagnetic fields. *J. Anal.* 134, 533-551.
- # Delgado, J.M.R. (1985) Biological effects of extremely low frequency em fields. *J. Bioelectricity* 4, 75-92.
- 00 Diebolt, J.R. (1978) The influence of electrostatic and magnetic fields on mutation i drosophila melanogaster spermatozoa. *Mutation Res.* 57, 169-174.
- 00 Dixey, R., Rein, G. (1982) Noradrenaline release potentiated in a clonal nerve cell line by low-intensity pulsed magnetic fields. *Nature* 296, 253.
- 06 Dodge, C.H. & Glaser, Z.R. (1977) Trends in nonionizing electromagnetic research and related occupational health aspects, *J. Microwave Power* 12 (4), 319-334.
- 06 Dfll, T. & Dfll, B. (1957) *Deutsch. med. Wshr.* [magnetic storms -> suicides]
- 00 Edelwejn, Z. (1968) An attempt to assess the functional state of the cerebral synapses in rabbits exposed to chronic irradiation with microwaves. *Acta. Physiol. Pol.* 19, 897-906.

- 06 Edelwejn, Z., Elder, R.L., Klimkova-Deuschova, E., & Tengroth, B. (1974) Occupational exposure and public health aspects of microwave radiation, in *Biologic Effects and Health Hazards of Microwave Radiation*, P.Czerski et al. Eds, Warsaw, Poland, Polish Medical Publishers.
- 0L Effects of EM Radiation () IEEE EMB 6(1)
- # ELF: smaller still but not dead yet. IDR 11/1981: 1416-1417. [submarine comm. sys.]
- 0O Foley, P.B., et al (1986) Pineal indoles: significance and measurement. *Neurosci Biobehav Rev* 10, 273-293.
- 0O Fraser, A. & Frey, A.H. (1968) Electromagnetic emission at micron wavelengths from active nerves, *Biophys.J.*, 8,731-734.
- # Foster KR & Guy AW (1986) *Sci. Am.* 255: 32. (see also *Sci. Am.* 1986.12)
- 0L Foster KR (1986) *Am. Scientist* March/April.
- 0O Fox SW (1965) A theory of macromolecular and cellular origins. *Nature* 205, 325.
- 0L Fox SW (1968) How did life begin? *Science & Technology* Feb. 1968.
- Frey, A.H. (1963) Human response to VLF electromagnetic energy, *Nav.Res.Rev.*, 1-8.
- Frey, A.H. (1963) Some effects on humans of UHF irradiation, *Am.J.Med.Electron.*, 2, 28-31
- Frey, A.H. (1965) Behavioral biophysics, *Psychol.Bull.*, 63, 322-337.
- Frey, A.H. (1967) Brain stem evoked responses associated with low intensity pulsed UHF energy, *J.Appl.Physiol.*, 23, 984-988.
- Frey, A.H., Fraser, A., Siefert, E., & Brish, T. (1968) A coaxial pathway for recording from the cat brain stem during illumination with UHF energy, *Physiol.Behav.*, 3, 363-365.
- Frey, A.H. (1971) Biological function as influenced by low-power modulated RF energy, *IEEE Trans. MTT* 19, 153-164.
- Frey, A.H. & Messenger, Jr., R. (1973) Human perception of illumination with pulsed ultra-high frequency electromagnetic energy, *Science* 181, 356-358.
- Frey, A.H. & Feld, S.R. (1975) Avoidance by rats of illumination with low power nonionizing electromagnetic energy, *J. Comp. Phys. Psychol.* 89, 183-188.
- Frey, A.H. & Spector, J. (1976) Irritability and aggression in mammals as affected by exposure to em energy, Program and Abstracts for URSI Ann. meeting, Amherst, MA. 93.1976.
- Frey, A.H. & Gendelman, S. (1979) Motor coordination of balance degradation during mw energy exposure. *Bull. Psychonomic Soc.* 14(6), 442-444.
- Frey, A.H. & Wesler, L.S. (1980) Tail pressure behaviors modification associated with microwave energy exposure, *BEM* 1, 202.
- Frey, A.H. & Wesler, L.S. (1982) A test of the dopamine hypothesis of microwave energy effects. *JBE* 1, 305-312. 0Liq
- Frey, A.H. & Wesler, L.S. (1983) Dopamine receptors and microwave energy exposure. *J. Bioelectricity* 2, 145-157.
- Frey A.H. & Wesler, L.S. (1984) Modification of the conditioned emotional response in rats living in a 60 Hz electrical field, *Bull. Psychonomic Soc.* 22, 477-479.
- Frey, A.H. (1985) Data analysis reveals significant microwave-induced eye damage in
- Frey, A.H. & Wesler, L.S. (1990) Interaction of Psychoactive drugs with exposure to electromagnetic fields. *J. Bioelectricity* 9, 187-196.
- Friedman, H., Becker, R.O., & Bachman, C.H. (1963) Geomagnetic parameters and psychiatric hospital admissions. *Nature* 200, 626.
- Friedman, H., Becker, R.O., & Bachman, C.H. (1965) *Nature* 205, 1050.
- Friedman, H., Becker, R.O., & Bachman, C.H. (1967) Effect of magnetic fields on reaction time performance. *Nature* 213, 949.
- Froehlich H (1968) Long-range coherence and energy storage in biological systems. *Int. J. Quant. Chem. II*: 641-649.
- Froehlich H (1975) Evidence for Bose condensation-like excitations of coherent modes in biological systems. *Phys. Lett.* 51A: 21-22.
- Froehlich H (1978) Coherent electric vibrations in biological systems and the cancer problem. *IEEE MTT* 26: 613-617.
- Froehlich, H., Ed. (1988) *Biological coherence and response to external stimuli*. New York, Springer.
- Fujita, Y. & Sato, T. (1964) Intracellular records from hippocampal pyramidal cells in rabbit during theta rhythms activity. *J. Neurophysiol.* 27, 1101-1025.
- Fukuda Eiichi () Ed. BBoard of J. Bioelectricity The Inst. Chemical and Physical Res., Wako-shi Saitama 351, JAPAN
- Gandhi OP (1974) Polarization and frequency effects on whole animal absorption of RF energy. *Proc. IEEE* 62: 1171-1175.
- Gandhi OP (1975) Conditions of strongest em power deposition in man and animals. *IEEE Trans. MTT* 23: 1021-1029.
- Gandhi OP (1990) *Biological Effects and Medical Applications of Electromagnetic Fields* (Prentice-Hall)
- Gaston S. & Manaker M (1968) Pineal function: the biological clock in the sparrow. *Science* 160, 1125-1127.
- Gavalas-Medici, R. & Day-Magdaleno, S.R. (1976) Extremely low frequency, weak electric fields affect schedule-controlled behavior of monkeys, *Nature* 261, 256-258.
- Glaser, Z.R. & Dodge, C.H. (1976) Biomedical aspects of radiofrequency radiation: A review of selected Soviet, East European, and Western references, Selected Papers of the USNC/URSI Annual Meeting (Boulder, CO, Oct.1975), HEW Publication (FDA) 77-8010/8011, pp.2-34.
- Gold M (1979) The radiowave syndrome. *Science* 80(1): 78-84.
- Goodman, E.M., Greenebaum, B., & Marron, M.T. (1980-) Bio-effects of extremely low frequency electromagnetic fields: variation with intensity, waveform and individual or combined electric and magnetic fields, *Rad. Res.* in press.
- Graf ER & Cole FE (1967) Radiant em energy and life, *Recent Adv. Eng. Sci.* 4, 67.
- Grissett, J.D. (1980) Biological effects of electric and magnetic fields associated with ELF communications systems. *Proc IEEE* 68, 98.
- Greene, L.A., Rein, G. (1977) Release, storage and uptake of catecholamines by a clonal cell line of NGF responsive pheochromocytoma cells. *Brain Res.* 129, 247.
- Greene, L.A., Rein, G. (1977) Synthesis, storage and release of acetylcholine by a noradrenergic pheochromocytoma cell line. *Nature* 268, 349.
- Grundler W & Keilman F (1978) Nonthermal effects of millimeter waves on yeast growth. *Z. Naturforsch* 33cm 15-22.
- Guy, E. et al (1975) Effect of 2450 MHz radiation on the rabbit eye, *IEEE Trans. MTT* 23, June, 495.
- Guy, A.W., Chou, C., Honson, R.B. & Kunz, L.L. (1980) Study of effects of long-term low-level RF exposure on rats: a plan. *Proc IEEE* 68, 92.
- Guy, A.W. (1988) The bioelectromagnetics Research Laboratory, University of Washington: reflection on twenty-five years of Research, *BEM* 9, 113-128.
- Halberg, F., Cutkomp, L., Nelson, W., & Sothorn, R. (1975) Circadian rhythms in plants, insects and mammals exposed to ELF magnetic and/or electric fields and currents, University of Minnesota, Aug. 1975.
- Hamer, J. (1968) Effects of low level, low frequency electric fields on human reaction time. *Commun. Behav. Biol.* 2 (A), 217-222.

- Hathaway, J.A. (1979) reply to Dr.Zaret (letter to Ed.), *J. Occup. Med.* 20, 316-317.
- Hinton HE & Blum MS (1965) Suspended animation and the origin of life. *New Sci.* Oct. 28:270.
- Holland JG (1957) Technique for behavioral analysis of human observing. *Science* 125: 348-350.
- Hosmer H (1928) *Science* 68: 327. [the first report of mw → heat → bioeffects]
- Huai, C. et al (1985) Experimental research in China on the biological effects of microwaves. *J. Bioelectricity* 4, 103-120.
- Huang, A.T., Engle, M.E., Elder, J.A., Kinn, J.B., & Ward, T.R. (1977) The effect of microwave radiation (2450 MHz) on the morphology and chromosomes of lymphocytes. *Rad. Sci.* 12(6S), 173-177.
- Hunt, E.L., King, N.W., Phillips, R.D. (1975) Behavioral effects of pulsed microwave radiation. *Ann. NY Acad. Sci.* 247, 440-453.
- Hutchison, Michael (1986) *Mega Brain.* (Ballantine)
- IEEE Transactions on Microwave Theory and Techniques, MTT-19, No.2, February 1971. Special issue on biological effects of microwaves 011(1):1963.1- (Z53-N415)
- Karel Marba, "Microwave Radiation Safety Standards in Eastern Europe,"
- Jaffe, R.A. et al (1980) Chronic exposure to 60-Hz electric fields: effects on synaptic transmission and peripheral nerve function in the rat. *BEM* 1, 113-118.
- Jaffe, R.A. et al (1981) Chronic exposure to a 60-Hz electric field: effects on neuromuscular function in the rat. *BEM* 2, 227-239.
- Jaggard, D.L. & Lords, J.L. (1980) Cellular effects: millimeter waves and Raman spectra - report of a panel discussion. *Proc IEEE* 68, 114.
- Janchem, J. (1991) Alleged health effects of em fields: misconceptions in the scientific literature. *J. m.wave Power* 26, 189-195. [Current Death]
- Jasper, H. & Stefanis, C. (1965) Intracellular and oscillatory rhythms in pyramidal tract neurons in the cat. *EEG Clin. Neurophysiol.* 18, 541-553.
- Johnson, C.C., & Guy, A.W. (1972) Non-ionizing electromagnetic wave effects in biological materials and systems. *Proc IEEE* 60, 692-718.
- Johnson, C.C. (1973) Research needs for establishing a radio frequency electromagnetic radiation safety standard. *J. Microwave Power*, 8, 367-388.
- Johnson, C.C. (1975) Recommendations for specifying EM wave irradiation conditions in bioeffects research. *J. Microwave Power* 10, 249-250.
- Josephson, B.D. (1965) *Advanced physics.* 14, 419.
- Justesen, D.R., & King, N.W. (1970) Behavioral effects of low level microwave irradiation in the closed space situation, in *Biological Effects and Health Implications of Microwave Radiation*, S.F. Cleary, Ed., pp.154-179.
- Justesen, D.R. (1977) Diathermy versus the microwaves and other radio-frequency radiations: A rose by another name is a cabbage. *Radio Sci.* 12, 355-364.
- Justesen, D.R., & Baird, R.C. Eds. (1979) *Biological Effects of Electromagnetic Waves*, special issue of *Radio Sci.* 14, no.65.
- Justesen DR, Adair ER, Stevens C & Bruce-Wolfe V (1982) A comparative study of human sensory thresholds: 2450 MHz microwaves vs. far infrared radiation. *BEM* 3:117-125.
- Kaiser F (1978) Coherent oscillations in biological systems. *Z. Naturforsch.* 33a: 294-304.
- Kalmijin, Ad. J. (1982) Electric and magnetic field detection in Elasmobranch fishes. *Science* 218, 916.
- Kaune, W.T. & Gillis, M.F. (1981) General properties of the interaction between animals and ELF fields. *BEM* 2, 1-11.
- Kaune, W.T. (1981) Interactive effects in 60 Hz electric-field exposure systems. *BEM* 2, 33-50.
- Kholodov, Y.A. (1966) *The Effect of Electromagnetic and Magnetic Fields on the Central Nervous System* Moscow, USSR, Nauka, p.283.
- Kim, Y.S. (1976) Some possible effects of static magnetic fields on cancer. *Tower Int. Technomed. Inst. J. Life Sci.* 6, 11-28.
- Kinouchi, Y. et al (1984) Design of a magnetic field generator for experiments on magnetic effects in cell cultures. *BEM* 5, 399-410.
- Kinouchi, Y. et al (1988) Effects of static magnetic fields on diffusion in solutions. *BEM* 9, 159-166.
- Korbel, S.F. & Fine, J.L. (1967) Effects of low intensity UHF radio fields as a function of frequency. *Psychonom. Sci* 9, 527.
- Konig, H. (1959) *Atmosphärische peringster Frequenzen.* *Z. Angew. Physik.* 11, 264-274. [earth rhythms]
- Konig, H.H. & Ankermüller, F. (1960) *Über den Einfluss besonders niederfrequenter elektrischer Vorgänge in der Atmosphäre auf den Menschen.* *Naturwissenschaften.* 47, 486-490.
- Konig, H.H. (1974) Behavioral changes in human subjects associated with ELF electric fields, in *ELF and VLF Electromagnetic Field Effects*, M.A. Persinger, Ed., New York: Plenum, 81-133.
- Korbel, S. & Thompson, W.D. (1965) Behavior effects of stimulation by UHF radio fields. *Psychological Reports*, 17, 595-602.
- Korbel, S. & Fine, H.L. (1967) Effects of low intensity UHF radio fields as a function of frequency. *Psychonomic Sci.*, 9, 527-528.
- Kritikos HN & Schwan HP (1972) Hot spots generated in conducting spheres by em waves and biological implications. *IEEE Tran. BME* 19: 53-58. [resonant → head]
- Lai, H. et al (1983) Psychoactive drug response is affected by acute low-level microwave irradiation. *BEM* 4, 205-214.
- Larsen LE et al (1974) A microwave decoupled brain temperature transducer. *IEEE Trans. MTT* 22: 438-444.
- Lawrence L. George (1973) *Electronics and Brain Control.* Popular Electronics July.
- Leal J, Ubeda A, Trillo A, Montegudo JL, Delgado JMR (1982) Modification of embryogenesis by magnetic fields. *Neuroscience* 7(Suppl.):S77.
- Lerner, E. (1984) Biological effects of electromagnetic fields, *IEEE Spectrum* Mar, 63.
- Lerner, E. (1984) Biological effects of electromagnetic fields, *IEEE Spectrum* May, 57.
- Lebovitz, R.M. (1981) Prolonged microwave irradiation of rats: effects on concurrent operant behavior. *BEM* 2, 169-185.
- Lewy, A.J. et al (1980) Light suppresses melatonin secretion in humans. *Science* 210, 1267-1269.
- Lewy, A.J. et al (1982) Bright artificial light treatment of a manic depressive patient with a seasonal mood cycle. *Am J Psychiatry* 139, 1496-1497.
- Liboff A et al (1984) *Science* 223: 818. [ELF/VLF → DNA synthesis]
- Liboff AR (1985) Cell-field interactions at extremely low frequencies. *Bull Am Physical Soc* 30: 548a. [cyclotron resonance]
- Liboff A (1985) *J. Biological Physics* 13: 99. [cyclotron resonance]
- Lilienfeld, A.M., Tonascia, J., Tonascia, S. et al. (1978) Foreign service health status study - evaluation of health status of foreign service and other employee from selected Eastern European posts. Final rep. (Contract No. 6025-619073) to U.S. Dep. of State, July 31, 1978.
- Lin, J.C. (1975) Biomedical effects of microwave radiation - a review, *Proc. Nat. Electron. Conf.* 30, 224-232.
- Lin, J.C., Guy, A.W., & Caldwell, L.T. (1977) Thermographic and behavioral studies of rats in the near field of 918-MHz radiations. *IEEE Trans. MTT.* 25, 833-836.
- Lin, J.C., Meltzer, R.J., & Redding, F.K. (1979) Microwave-evoked brainstem potentials in cats. *J. Microwave Power* 14, 291-296.

- Lisk RD & Kannwischer LR (1964) Light: evidence for its direct effect on the hypothalamic neurons. *Science* 146 272-273.
- Lott, J.R. & McCain, H.B. (1973) Some effects of continuous and pulsating electric fields on brain wave activity in rats. *Int. J. Biometeorol.* 17, 221-225
- Lu, S, Lotz, W.G. & Michaelson, S.M. (1980) Advances in microwave-induced neuroendocrine effects: the concept of stress. *Proc IEEE* 68, 73.
- Lyle DB et al (1988) *BEM* 9: 303. [60Hz →! T-cell]
- Lyskov, E.B. et al (1993) Effects of 45 Hz magnetic fields on the functional state of the human brain. *BEM* 14, 87-96.
- Mantle, E.R. & Persinger, M.A. (1983) Alterations in subjective evaluations during acute exposures to 5 Hz but not 9 Hz magnetic field devices. *J. Bioelectricity* 2, 5-14.
- Marino, A.A. & Becker, R.O. (1977) Hazard at a distance: effects of exposure to the electric and magnetic fields of high voltage transmission lines. *Med. Res. Eng.* 12(5)
- Marino, A.A. (1985) We need a science court. *J. Bioelectricity* 4, vii-viii.
- Martin, A.H. (1992) Development of chicken embryos following exposure to 60 Hz magnetic fields with differing wave forms. *BEM* 13, 223-230.
- Mather, J.G. (1981) Magnetic sense of direction in woodmice for route based navigation. *Nature* 291, 152
- McAfee RD (1962) Physiological effects of thermode and mw stimulation of peripheral nerves. *Am. J. Physiol.* 203: 374-378.
- McAfee RD (1971) Analeptic effect of mw irradiation on experimental animals. *IEEE Tran. MTT* 19: 251-253.
- McAuliffe, Kathleen (1985) *The Mind Fields*, *Omni Magazine*, February, 1985.
- McGeer, P.L., McGeer, E.G. (1980) Chemistry of mood and emotion. *Annual Rev. Psychology* 31, 273-307.
- McLaughlin J (1957) Tissue destruction and death from microwave radiation (radar). *California Medicine* 86: 336-339. [the first mw victim]
- McRee, D.I. (1980) Soviet and Eastern European research on biological effects of microwave radiation. *Proc IEEE* 68, 84.
- Medici, R.G. (1980) Methods of assaying behavioral changes during exposure to weak electric fields, *Proceedings of Conference XI: abnormal animal behavior prior to earthquakes (II)*, US Geological Survey Open File Report 80-453, Menlo Park, CA, 114-140.
- Medici, R. (1985) Behavioral studies with em fields: implications for psychobiology. *J. Bioelectricity* 4, 527-552.
- Merritt, J.G. et al (1985) Science and Standards = another viewpoint. *J. microwave Power* 20, 55-56.
- Michaelson, S.M. (1971) The Tri-Service Program, *IEEE Trans. MTT* 19 (2)
- Michaelson, S.M., Houk, W.M., Lebda, J.A., Lu, S.-T., & Magin, R. (1975) Biochemical and neuroendocrine aspects of exposure to microwaves. *Ann. NY Acad. Sci.* 247, 21-45.
- Michaelson, S.M. (1980) Microwave biological effects: an overview. *Proc IEEE* 68, 40.
- Miller SL (1953) The production of amino acids under possible primitive Earth conditions. *Science* 117, 528.
- Mitchell, C.L. et al (1988) Some behavioral effects of short-term exposure of rats to 2.45 -00 Modak, A.T. et al (1981) Effect of short electromagnetic pulses on brain acetylcholine content and spontaneous motor activity of mice. *BEM* 2, 89-92.
- Moisescu, D. & Margineanu, D. (1970) Electromagnetic emission sources in the active nerve. *Biophys.J.*, 10, 482-484.
- Monteagudo, J.I., Ramirez, E. & Delgado, J.M.R. (1984) Magnetic inhibition of bacterial growth. *Abstr. in Proc. XXI Gen. Assembly Union Radio Science International, Florence, Italy, August 27-30, 1984.*
- NORDIC SCIENCE(1992) *Nature* 360(6404), 1992.12.10.
- O'connor, M.E. (1980) Mammalian teratogenesis and radio-frequency fields. *Proc. IEEE* 68, 56.
- O'leary JL & Goldring S (1964) DC potentials of the brain. *Physiol. Rev.* 44: 91.
- Oscar, K.J., et al (1981) Local cerebral blood flow after mw exposure. *Brain Res.* 204, 220-225.
- Parker LN (1973) Thyroid suppression and adrenomedullary activation by low-intensity mw radiation. *Am. J. Physiol.* 224: 1388-1390.
- Perry, F.S., Reichmanis, M., Marino, A.A., & Becker, R.O. (1981) Environmental power-frequency magnetic fields and suicide. *Health Phys* 41, 267-277.
- Persinger, M.A. ed. (1974) *ELF and VLF Electromagnetic Field Effects*, New York: Plenum, 81-133.
- Persinger, M.A. & Nolan, M. (1985) Partial amnesia for a narrative following application of theta frequency em fields. *J. Bioelectricity* 4, 481-494.
- Pethig, R. (1983) The Physical characteristics and control of air ions for biological studies. *J. Bioelectricity* 2, 15-36.
- Pittendrigh CS & Minis DH (1964) The entrainment of circadian oscillations by light and their role as photoperiodic clocks. *Am. Nat.* 98, 261-264.
- Pittendrigh CS (1972) Circadian cycles and the diversity of possible roles of circadian organization in photoperiodic induction. *Proc. Nat. Acad. Sci. USA* 69, 2734-2737.
- Polorny, A.D., Mefferd, R.B., Jr. (1966) Geomagnetic fluctuations and disturbed behavior. *Ner Mental Dis* 143, 140-151.
- Presman, A.S. (1964) The role of electromagnetic fields in physiological processes, *Biofizika* 1, 131-134.
- Proc. Ad Hoc Committee for the Review of Biomedical and Ecological Effects of ELF Radiation, Washington, DC: Navy Bureau of Medicine and Surgery, Dec. 1973.
- Purpura, D.P. & Cohen, B. (1962) Intracellular recording from thalamic neurons during recruiting responses, *J. Neurophysiol.* 25, 621.
- Ramirez, E., Monteagudo, J.L. Garcia-Gracia, M. & Delgado, J.M.R. (1983) Oviposition and development of drosophila modified by magnetic fields. *BEM* 4, 315-326.
- Ramirez, E., Monteagudo, J.L., Medrano, J.C. & Delgado, J.M.R. (1984) Drosophila mutation induced by a pulsed magnetic field. *Abstr. in Proc. XXI Gen. Assembly Union Radio Science International Florence, Italy, August 27-30, 1984.*
- Pandal, W. & Randall, S. (1991) The solar wind and hallucinations - a possible relation due to magnetic disturbances. *BEM* 12, 67-70.
- Reichmanis, M., Perry, F.S., Marino, A.A., Becker, R.O. (1979) Relation between suicide and em field of overhead power lines. *Physiol Chem Phys* 11, 395-403.
- Rein, G., Korins, K., Pilla, A. (1987) Inhibition of neurotransmitter uptake in a neuronal cell line by pulsed electromagnetic fields. *Proceedings of the 9th Bioelectromagnetic Society*, June 1987.
- Rein, G. (1993) Modulation of neurotransmitter function by quantum fields. *PACE* 6(4) 19.
- Reiter R (1960) *Meteorobiologie - Und Elektrizitat der Atmosphäre.* (Akademische Verlags-gesellschaft Geest and Potig, Leipzig)
- Reiter RJ, et al (1976) New horizons of pineal research. *Am. Zool* 16: 93-101.
- Richardson, A. et al (1951) Experimental cataract produced by three centimeter pulsed microwave irradiations, *Arch. Opth.* 45, 382.
- Roberti, B., Hoebels, G.H., Hendrix, J.C.M., de Greef, A.H.A.M., & Wolthuis, O.L. (1975) Preliminary investigations of the effects of low-level microwave radiation in spontaneous motor activity in rats. *Ann. NY Acad. Sci.* 247, 417-423.
- Rockwell, D.A., et al (1976) Psychologic and psychophysiologic response to 105 days of social isolation. *Aviat Space Environ Med* i47, 1087-1093.
- Rockwell, S. (1977) Influence of a 14,000 Gauss magnetic field on the radiosensitivity and recovery of EMT6 cells in vitro. *Int. J. radiat. Biol.* 31, 153-160.

- Rommel SA & McCleave JD (1972) Ocean electric fields: perception by American eels? *Science* 176: 1233.
- Sadchikova, M.N. & Orlova, A.A. (1958) Clinical picture of the chronic effects of electromagnetic microwaves, *Ind. Hyg. Occupat. Dis. (USSR)*, 2, 16-22.
- Sagan, P.M. & Medici, R.G. (1979) Behavior of chicks exposed to low-power 450 MHz fields sinusoidally modulated at EEG frequency, *Rad. Sci* 14 (6S), 239-245.
- Sanza, J.N., & de Lorge, J. (1977) Fixed interval behavior of rats exposed to microwaves at low power densities, *Radio Sci.* 12(6S), 273-277.
- Schmidt, D.E., Speth, R.C., Welsch, F. & Schmidt, M.J. (1972) The use of microwave radiation in the determination of Acetylcholine in the rat brain," *Brain Research*, 38, 377-389.
- Schwan, H.P. (1971) Interaction of Microwave and Radio Frequency Radiation with Biological systems. *IEEE Trans. MTT* 19 (2)
- Schwan, H.P. & Foster, K.R. (1980) RF-field interactions with biological systems: electrical properties and biophysical. *Proc IEEE* 68, 104
- Schwan, H.P. (1982) Microwave and RF hazard standard considerations. *J. microwave Power* 17, 1-10.
- Schwan, H.P. (1984) RF-hazards and standards: an historical perspective, *J. microwave Power* 19, 225-232.
- Scott AC, et al (1973) The soliton: a new concept in applied science. *Proc IEEE* 61, 1443-1483.
- Shamos, M.H. & Lavine, L.S. (1967) Piezoelectricity as a fundamental property of biological tissues. *Nature* 213, 267-269.
- Shapiro AR et al (1970) Induced fields and heating within a cranial structure irradiated by an em plane wave. *IEEE Trans. MTT* 19: 187-196.  
[resonant -> head]
- Shigematsu et al (1993) 50 Hz magnetic field exposure system for small animals. *BEM* 14, 107-116.
- Silverman, C. (1968) *The Epidemiology of Depression*. Baltimore, MD: Johns Hopkins Press. [SB251-1]
- Silverman, C. (1973) Nervous and behavioral effects of microwave radiation in humans. *Am J. Epidemiol.* 97, 219-224.
- Silverman, C. (1980) Epidemiologic studies of microwave effects. *Proc IEEE* 68, 78.
- Smialowicz, R.J. et al (1981) Biological effects of long-term exposure of rats to 970 MHz radio frequency radiation. *BEM* 2, 279-284.
- Stenek NH, et al (1980) The origins of US safety standards for microwave radiation. *Science* 208:1230-1237.
- Stenek NH (1983) Values in standards: The case of ANSI C95.1-1982. *Microwaves and RF* May 1983: 137,141-42,164-67.
- Stenek N (1984) Science and Standards - the case of ANSI C95.1-1982. *J. mw Power* 19, 153-158.
- Stenek N (1984) *Microwave Debate*. MIT Press, Cambridge, MA.
- Stern SS et al (1979) Microwaves: Effect on thermoregulatory behavior in rats. *Science* 206: 1198-1201.
- Stern S (1980) Behavioral effects of microwaves. *Neurobehav Toxicol* 2: 49-58.
- Subbota, A.G. (1958) The effect of a pulsed super-high frequency SHF electromagnetic field on the higher nervous activity of dogs. *Bull. Exp. Med* 46, 1206-1211.
- Szmigielski, S. et al (1982) Accelerated development of spontaneous and benzopyrene-induced skin cancer in mice exposed to 2450 MHz microwave radiation. *BEM* 3, 179-192.
- Takuma et al (1990) A three-dimensional method for calculating currents induced in bodies by ELF electric fields, *BEM* 11, 71-89.
- Tanner, J.A. (1962) Reversible blocking of nerve conduction by alternating-current excitation. *Nature* 195, 712. [a.c. -> nerve]
- Tanner, J.A. (1966) Effect of microwave radiation on birds. *Nature* 210, 636.
- Tanner, J.A., Romero-Sierra, C., & Davie, S.J. (1967) Nonthermal effects of microwave radiation on birds. *Nature* 216, 1139
- Taylor, L.S. (1981) The mechanisms of athermal microwave biological effects. *BEM* 2, 259-267.
- Tell, R. (1972) Broadcast radiation: how safe is safe? *IEEE Spectrum*, Aug., 43-51.
- Tell, R.A. & Mantiply, E.D. (1980) Population exposure to VHF and UHF broadcast radiation in the United States. *Proc. IEEE* 68(1)Jan. 6.
- Tenforde, T.S. Gaffey, C.T. et al (1983) Cardiovascular alterations in Macaca monkeys exposed to stationary magnetic fields: experimental observations and theoretical analysis. *BEM* 4, 1-9.
- Tesla, N. (1904) Transmission of energy without wires. *Scientific American Supplement* 57, 23760.
- Thomas, J.R., Finch, E.D., Fulk, D.W., & Burch, L.S. (1975) Effects of low level microwave radiation on behavioral baselines, *Ann. NY Acad. Sci.* 247, 425-432.
- Thomas, J.R., & Maitland, G. (1977) Combined effects on behavior of low-level microwave radiation and dextroamphetamine, in *Abstracts of Scientific Papers p.121 URSI 1977 Int. Symp. Biological Effects Electromagnetic Waves*, Airlie, VA.
- Thomas JR, Burch L & Yeandle SS (1979) Microwave radiation and chlordiazepoxide: synergistic effects on fixed-interval behavior. *Science* 203, 1357-1358.
- Thomas, J.R. et al (1982) Comparative effects of pulsed and continuous wave 2.8 GHz microwaves on temporally defined behavior. *BEM* 3, 227-236.
- Thomas, J.R. et al (1985) Weak low frequency magnetic fields alter operant behavior in rats, *Abstracts of papers presented at the Seventh Ann. Meeting of Bioelectromagnetics Society*.
- Thomas JR, Schrot J & Liboff A (1986) Low-intensity magnetic fields alter operant behavior in rats. *BEM* 7: 349.
- Trillo, M.A., Jimenez, M.A., Leal, J., Ubeda, A. & Delgado, J.M.R. (1983) Alterations and fractional recovery of chick embryos exposed to em fields. *Trans. 3rd Ann. Meeting Bioelectrical Repair & Growth Society, San Francisco, CA, October 2-5, 1983, III, 49.*
- Tyazhelov, V.V., Tigranian, R.E., & Khizhniak, E.P. (1977) New artifact-free electrodes for recording of biological potentials in strong electromagnetic fields, *Radio Sci.* 12(6S), 121-123.
- Ubeda, A., Leal, J., Trillo, M.A., Jimenez, M.A. & Delgado, J.M.R. (1983) Pulse shape of magnetic fields influences chick embryogenesis. *J. Anat* 137, 513-536.
- Walcott, C. (1979) Pigeons have magnets. *Science* 205, 1027.
- Walker, N.M., et al (1984) A candidate magnetic sense organ in the yellowfin tuna, *Thunnus albacares* *Science* 224, 751.
- Wallace, R.K. (1970) Physiological effects of transcendental meditation, *Science* 167, 1751-1754.
- Webb SJ & Dadds DD (1968) Inhibition of bacterial cell growth by 136 Gc microwave. *Nature* 218: 374-375.
- Webb SJ & Booth AD (1969) Absorption of microwaves by micro-organisms. *Nature* 222:1199-1200.
- Webb SJ & Booth AD (1971) Microwave absorption by normal and tumor cells. *Science* 174: 72-74.
- Webb SJ & Stoneham ME (1977) Resonances between 1011 and 1012 Hz in active bacterial cells as seen by laser raman spectroscopy. *Phys Lett* 63A:267-268
- Webb SJ, Stoneham ME & Froehlich H (1977) Evidence for nonthermal excitation of energy levels in active biological systems. *Phys Lett* 63A:407-408.



- Wehr, T.A. et al (1979) Phase-advance of circadian sleep-wake cycles as an anti-depressant. *Science* 206, 710-713.
- Welker, H.A. et al (1983) Effects of an artificial magnetic field on serotonin N-acetyltransferase activity and melatonin content of the rat pineal gland. *Exp. Brain Res.* 53, 7.
- Wellborn SN (1987) An electrifying new hazard. *U.S. News & World Report* March 30: 72
- Wertheimer N & Leeper E (1979) *Am. J. Epidemiology* 109: 273.
- Wike, E.L. & Martin, E.J. (1985) Comments on Freys' "Data ..." *J. m. wave Power* 20, 181.
- Wilson, B.S. (1988) Chronic exposure to ELF fields may induce depression. *BEM* 9, 195-205.
- Wurtman, R.J. et al (1959) Effects of penelectomy and bovine pineal extracts in rats. *Am J Physiol* 197, 108-110.
- Zaret, M.M., Cleary, S.F., Pasternack, B., et al. (1963) A study of Lenticular imperfections in the eyes of a sample of microwave workers and a control population. Final Contract Rep. for Rome Air Development Center, RADC-TDR-6310125, Mar. 15, 1963.
- Zaret, M.M. (1974) Selected cases of microwave cataract in man associated with concomitant annotated pathologies. in: *Biologic Effects and health Hazards of Microwave Radiation*, P. Czerski, et al. Eds. Warsaw, Poland: Polish Medical Publishers, pp.294-301.
- Zaret, M.M. (1976) Electronic smog as a potentiating factor in cardiovascular disease: A hypothesis of microwaves as an etiology for sudden death from heart attack in North Karelia. *Med. Res. Eng.* 12(3), 13-16.
- Zaret, M. (1978) Human Injury Relatable to Non-Ionizing Radiation. IEEE-ERDA Symposium, The Biological Effects on Electro Magnetic Radiation
- Zoeger, J. (1981) Magnetic material in the head of the common pacific dolphin, *Science* 213, 892.

## MW – AUDITORY

- Adrian, D.J. (1977) Auditory and visual sensation stimulated by low-frequency electric currents. *Rad. Sci.* 12, 243S-250S.
- Airborne Instruments Lab. (1956) *Proc. IRE* 44. [the first RF sound report]
- Borth DE & Cain CC (1977) Theoretical analysis of acoustic signal generation in materials irradiated with microwave energy. *IEEE MTT* 5: 944-954.
- Bourgeois, Jr., A.E. (1967) The effects of microwave exposure upon the auditory threshold of humans. Ph.D. Dissertation, Baylor Univ., Waco, Tex., Univ. Microfilms 67-2927, [A. Frey (1971)]
- Bourgeois, Jr., A.E. "The effects of microwave exposure upon the auditory threshold of humans," *NASA Sci. and Tech. Info. Svc.* N68-23132, 1967. [A. Frey (1971)]
- Cain, C.A. & Rissman, W.J. (1978) Mammalian auditory responses to 3.0 GHz microwave pulses, *IEEE Trans. BME* 25: 288-293.
- Cain, C.A. (1981) Biological effects of oscillating electric fields, *BEM* 2, 23-32.
- Chou, C.K., Galambos, R., Guy, A.W., & Lovely, R.H. (1975) Cochlear microphonics generated by microwave pulses, *J. Microwave Power* 10, 361-367.
- Chou, D.K., Guy, A.W., & Galambos, R. (1976) Microwave induced cochlear microphonics in cats, *J. Microwave Power* 11 (2), 171-173.
- Chou, C.K., Guy, A.W., & Galambos, R. (1976) Microwave-induced auditory response: cochlear microphonics. *Biological Effects of Electromagnetic Waves*. C.C. Johnson et al Eds., HEW publication (FDA) 77-8010, 89-103.
- Chou, C.K., Guy, A.W., & Galambos, R. (1977) Characteristics of microwave-induced cochlear microphonics. *Rad. Sci.* 12, 221S-228S.
- Chou CK & Galambos R (1979) Middle ear structures contribute little to auditory perception of microwaves. *JMP* 14(4): 321-326.
- Chou CK & Guy AW (1979) Microwave-induced auditory responses in guinea pigs: relationship of threshold and microwave-pulse duration. *Radio Sci* 14(6S): 193-197.
- Chou, C-K, Guy, A.W., Foster, K.R., Galambos, R., & Justesen, D.R. (1980) Holographic assessment of microwave hearing. *Science* 209, 1143-1144.
- Chou, C.K., Guy, A.W. & Galambos, R. (1982) Auditory perception of RF em fields. *J. Acoust. Soc. Am.* 71(6), 1321-1334.
- Chou, C.K. et al (1985) Auditory response in rats exposed to 2450 MHz electromagnetic fields in a circularly polarized waveguide, *BEM* 6, 323-326.
- Flottorp, O. (1953) Effect of different types of electrodes in electrophonic hearing." *J. Acoust. Soc. Amer.* 25, 236-243. [A. Frey (1971)]
- oster, K.R. & Finch, E.D. (1974) Microwave hearing: evidence for thermoacoustical auditory stimulation by pulsed microwaves. *Science* 185, 256-258
- Foster KR & Wiederhold ML (1978) Auditory responses in cats produced by pulsed ultrasound, *J. Acoust. Soc. Am.* 63, 1199-1205.
- Frey, A.H. (1961) Auditory system response to radio frequency energy. *Aerosp. Med.*, 32, 1140-1142.
- Frey, A.H. (1962) Human auditory system response to modulated electromagnetic energy, *J. Appl. Physiol.*, 17, 689-692.
- Frey, A.H. & Coren, E. (1979) Holographic assessment of a hypothesized microwave hearing mechanism. *Science* 206, 232-234.
- Frey, A.H. & Coren, E. (1980) Holographic assessment of microwave hearing. *Science* 209, 1144-1145.
- Frey, A.H. & Eichert (1985) Psychophysical analysis of microwave sound perception, *J. Bioelectricity* 4, 1-14.
- Gournay, L.S. (1966) Conversion of electromagnetic to acoustic energy by surface heating. *J. Acous. Soc. Amer.* 40, 1322-1330.
- Guy, A.W., Taylor, E.M., Ashleman, B., & Lin, J.C. (1973) Microwave interaction with the auditory systems of humans and cats, presented at 1973 IEEE Microwave Symp., (Boulder, CO, June 1973).
- Guy, A.W., Chou, C.K., Lin, J.C., & Christensen, D. (1975) Microwave-induced acoustic effects in mammalian auditory systems and physical materials. *Ann. NY Acad. Sci.* 247, 194-218.
- Ingalls CE (1967) Sensation of hearing in electromagnetic fields. *NY State J. Med.* 67: 2992-2997.
- Jaramillo, F. & Markin, V.S (1993) Auditory illusions and single hair cell. *Nature* 364(6437), 527.
- Johnson RB, Lovely RH & Guy AW (1976) Microwave control of behavior: an auditory phenomenon. *USNC/URSI Meeting*, Amherst, MA.
- Joines WT & Spiegel RJ (1974) Resonance absorption of microwaves by the human skull. *IEEE BME* 21: 46-48.

- Joines WT (1976) Reception of microwaves by the brain. *Med. Res. Engng* 12: 8-12.
- Joines WT & Wilson BS (1981) Field-induced forces at dielectric interfaces as a possible mechanism of RF hearing effects. *Bull. Math. Biol.* 43: 401-413.
- Justesen DR (1975) Microwaves and Behavior. *Am. Psychologist* 30: 391-401. [Dr. Sharp's "voice transmission"]
- King, N.W., Justesen, D.R., & Clarke, R.L. (1971) Behavioral sensitivity to microwave irradiation. *Science* 172, 398-401.
- Lebovitz RM (1975) Detection of weak em radiation by the mammalian vestibulocochlear apparatus. *Ann. N.Y. Acad. Sci.* 247: 182-193.
- Lebovitz, R.M. & Seaman, R.L. (1977) Microwave hearing: The response of single auditory neurons in the cat to pulsed microwave radiation. *Rad. Sci.* 12, 229S-236S.
- Lebovitz, R.M. & Seaman, R.L. (1977) Single auditory unit responses to weak, pulsed microwave radiation. *Brain Res.* 126, 370-375.
- Lin, J.C. (1975) Microwave auditory effect - a comparison of some possible transduction mechanisms. *J. Microwave Power*, 11, 77-81.
- Lin, J.C. (1976) Microwave-induced hearing : some preliminary theoretical observations, *J. Microwave Power* vol. 11, 295-298.
- Lin, J.C. (1977) On microwave-induced hearing sensation, *IEEE Trans. MTT* 25, 605-613.
- Lin, J.C. (1977) Further studies on the microwave auditory effect, *IEEE Trans. MTT* 25, 938-943.
- Lin, J.C. (1977) Theoretical calculations of frequencies and thresholds of microwave-induced auditory signals, *Rad. Sci.* 12, 237S-242S.
- Lin, J.C. (1978) Microwave Auditory Effects and Applications. Springfield, IL, C.C. Thomas.
- Lin, J.C., Meltzer, R.J., & Redding, F.K. (1978) Microwave-evoked brainstem auditory responses. *Proc. San Diego Biomed. Symp.* 17, 461-465.
- Lin, J.C., Meltzer, R.J. & Redding, F.K. (1978) Characteristics of microwave auditory effects : Theory and experiment. *URSI Open Symp. Biol. Effects Electromagnetic Waves (Finland, Aug. 1978)*
- Lin, J.C. (1980) The Microwave Auditory Phenomena. *Proc. IEEE* 68, 67.
- Moeser W (1962) Whiz Kid, Hands Down, *Life* 1962.9.14
- Olsen, R.G. & Lin, J.C. (1981) Microwave pulse-induced acoustic resonances in spherical head models, *IEEE TRans. MTT* 29, 1114-1117.
- Olsen, R.G. & Hammer, W.C. (1981) Evidence for microwave-induced acoustical resonances in biological material, *J. microwave Power* 16, 263-270.
- Olsen, R.G. & Lin, J.C. (1983) Microwave-induced pressure waves in mammalian brain, *IEEE Trans. BME.* 30, No.5, 289-294.
- Rissman, W.J. & Cain, C.A. (1975) Microwave hearing in mammals, *Proc. Nat. Electron. Conf.* 30, 239-244.
- Sharp, J.C., Grove, H.M., & Gandhi, O.P. (1974) Generation of acoustic signals by pulsed microwave energy. *IEEE Trans. MTT* 22, 583-584.
- Sharp, J.C. (1979) Some perspectives on research into biological response to non-ionizing electromagnetic radiation. *Rad. Sci.* 14 (1) 5-10.
- Sommer, H.G. & VonGierke, H.E. (1964) Hearing sensations in electric fields. *Aerosp. Med.* 35, 834.
- Taylor, E.M. & Ashleman, B.T. (1974) Analysis of the central nervous involvement in the microwave auditory effect, *Brain Res.* 74, 201-208.
- Tyazhelov, V.V. et al (1979) Some peculiarities of auditory sensations evoked by pulsed microwave fields. *Rad. Sci.* 14(6S), 259-263.
- Los Angeles Herald-Examiner, Nov. 22, 1976. ( m.wave -> sounds/voice )
- White, R.M. (1963) Generation of elastic waves by transient surface heating, *J. Appl. Phys.* 34, 3559-3569.
- White, R.M. (1963) Elastic wave generation by electron bombardment or electromagnetic wave absorption, *J. Appl. Phys.* 34, 2123-2124.
- Wilson BS, Joines WT & Casseday JH (1976) Responses of auditory nerve fibers to pulses of microwave irradiation: evidence of a direct effect of microwave radiation at hair cells of the cochlear. 1976 USNC/URSI Meeting, Amherst, MA.
- Wilson, B.S., Joines, W.T., et al (1980) Responses in the auditory nerve to pulsed, CW, and sinusoidally-modulated microwave radiation. *BEM* 1, 237.
- Wilson BS, Zook JM, Joines WT & Casseday JH (1980) Alterations in activity at auditory nuclei of the rat induced by exposure to mw radiation: autoradiographic evidence using [<sup>14</sup>C]-2-deoxy-D-glucose. *Brain Res.* 187: 291-306.
- Wilson BS, Kobler JB, Casseday JH & Joines WT (1983) Spectral content of mw-induced auditory stimuli as demonstrated by [<sup>14</sup>C]-2-deoxy-D-glucose uptake at the inferior colliculus. *Bioelectromagnetics Abstracts* 5:46.
- Wilson, B.S. & Joines, W.T. (1985) Mechanisms and physiologic significance of m.w. action on auditory system. *J. Bioelectricity* 4, 495-526.

## ACOUSTICS

- Anderson AB & Munson WA (1951) Electrical excitation of nerves in the skin at audio frequencies. *J. Acoust. Soc. Am.* 23, 155.
- von Bekesy G (1948) Vibrations of the head in a sound field and its role in hearing by bone conduction. *J. Acoust. Soc. Am.* 20, 749.
- Bilsen FA & Ritsma RJ (1969/1970) Repetition pitch and its implication for hearing theory. *Acustica* 22: 63-73. [review]
- Bilsen, F.A. & Ritsma, R.J. (1970) Some parameters influencing the perceptibility of pitch. *J. Acoust. Soc. Am.* 47, 469-475.
- Dallos, R. et al (1972) Cochlear inner and outer hair cells: functional differences. *Science* 177, 356-358.
- Davis H (1935) The electrical phenomena of the cochlea and the auditory nerve. *J. Acoust. Soc. Am.* 6: 205-215. [sound wave -> cochlea potential]
- Flottorp G (1953) Effects of different types of electrodes in electrophonic hearing. *J. Acoust. Soc. Am.* 25, 236.
- Jones RC et al (1940) Three mechanisms of hearing by electrical stimulation. *J. Acoust. Soc. Am.* 12, 281.
- Naftalin, I. (1977) The peripheral hearing mechanism: new biophysical concepts for transduction of the acoustic signal to an electrochemical event. *Physiol. Chem. Physics* 9, 337-382.
- Ritsma, R.J. (1962) Existence region of the tonal residue I.

- J. Acoust. Soc. Amer. 34, 1223-1229.  
 Schouten, J.F., Ritsma, R.J., & Cardozo, B.L. (1962) Pitch of the residue.  
 J. Acoust. Soc. Am. 34, 1418-1424.  
 Stevens SS (1937) On hearing by electrical stimulation. J. Acoust. Soc. Am. 8, 191.  
 Tiitinen, H. et al (1993) Selective attention enhances the auditory 40 Hz transient response in humans. Nature 360(6404)  
 Zwislock J (1957) In search of the bone-conduction threshold in a free-field sound field.  
 J. Acoust. Soc. Am. 29, 795.

## EM --> HEART

- Birenbaum L, Kaplan IT, Metlay W, Rosenthal SE & Zaret MM (1975) Microwave and infrared effects on heart rate. JMP 10(1): 3-18.  
 Bianchi, C., Cedrini, L., et al (1973) Exposure of mammals to strong 50-Hz electric fields: effect on heart's and brain's electrical activity. Arch Fisiol 70, 33-34.  
 Chou, C.K. et al (1980) Microwave radiation and heart-beat rate of rabbits.  
 J. microwave Power 15, 87.  
 Clapman RM & Cain CA (1975) Absence of heart rate effects in isolated frog heart irradiated with pulse modulated mw energy. JMP 10(4): 411-419.  
 Frey, A.H., & Siefert, E. (1968) Pulse modulated UHF energy illumination of the heart associated with change in heart rate, Life Sci., 7, 505-512.  
 Frey, A.H. & Eichert (1986) Modification of heart function with low intensity electromagnetic energy, J. Bioelectricity 5, 201-210.  
 Kaplan IT, Metlay W, Zaret M, Birenbaum L, & Rosenthal SW (1971) Absence of heart rate effects in rabbit during low level mw irradiation. IEEE Tran. MTT 19(2): 168-173.  
 Liu LM, Rosenbaum FJ & Pickard WF (1976) The insensitivity of frog heart rate to pulse modulated mw energy. JMP 11(3): 225-232.  
 Lords JL, Durney CH, Borg AM & Tinney CE (1973) Rate effects in isolated hearts induced by mw irradiation. IEEE Trans. MTT 21: 834-836.  
 Olson RG, Durney CH, Lords JL & Johnson CC (1975) Low level mw interaction with isolated mammalian hearts, Symposium Proceedings, Microwave Power, Waterloo, Ontario, IMPI Canada, pp. 76-78.  
 Sutton CH & Numally RL (1973) Exogenous peroxidase activity in the selectively hyperthermic rat brain. Proc. Fed. Am. Soc. Exp. Biol. 32: 859.  
 Tinney, C.E., Lords, J.L., & Durney, C.H. (1976) Rate effects in isolated turtle hearts induced by microwave radiation, IEEE Trans. MTT 24, 18-24.

## MW -- EEG

- Adey, W.R. (1974) The influences of impressed electrical fields at EEG frequencies on brain and behavior. In Behavior and Brain Electrical Activity. H. Eltshuler & N. Burch, Eds. Plenum Publishing Co., NY.  
 Baranski S & Edelwajn Z (1967) EEG and morphological investigations upon influence of microwaves on central nervous system. Acta Physiol. Pol. 18: 423.  
 Baranski S & Edelwajn Z (1975) Experimental morphologic and EEG studies of mw effects on the nervous system. Ann. N.Y. Acad. Sci. 247: 109.  
 Bawin, S.M., Gavalas-Medici, R.J., & Adey, W.R. (1973) Effects of modulated very high frequency fields on specific brain rhythms in cats. Brain Res. 58, 365-384.  
 Caccia M & Castelpierra R (1985) Electroencephalogram synchronization induced by em low frequency field administration in normal humans (preliminary observations). Bioelectrochem Bioenerget 14, 215-218. @uLiç  
 Drenfeld, L.K. (1983) The genesis of the EEG and its relation to em radiation, J. Bioelectricity 2, 111-121.  
 Gavalas, R.J., Watter, D.O., Hamer, J. & W.R. Adey (1970) Effect of low-level, low-frequency electric fields on EEG and Behavior in MACACA NEMESTRINA, Brain Res., 18, No.3, 491-501.  
 Servantie, B., Servantie, A.M., & Etienne, J. (1975) Synchronization of cortical neurons by a pulsed microwave field as evidenced by spectral analysis of EEG from the white rat. Ann. NY Acad. Sci. 247, 82-86.  
 Takashima S, Oronal B & Schwan HP (1979) Effects of modulated RF energy on the EEG of mammalian brains. Rad. Environ. Biophys. 16: 15-27.

## MW -- BLOOD BRAIN BARRIERS

- Albert, E.N. (1979) Current status of microwave effects on the blood-brain-barriers, J. microwave Power 14, 281-285.  
 Frey, A.H., Feld, S.R., & Frey, B. (1975) Neural function and behavior: defining the relationship, Ann. NY Acad. Sci. 247, 433-439.  
 Frey AH (1980) On microwave effects at the blood-brain barrier. Bioelectromagnetics Society Newsletter 18 (November 1980): 4-5.  
 Frey, A.H. (1983) Comments on "Microwaves and the BBB" J. Bioelectricity 2(1), 83-88.  
 Justesen, D.R. (1980) Microwave irradiation and the blood-brain barrier. Proc IEEE 68, 60.  
 Merritt, H.H., Chamness, A.F., & Allen, S.J. (1978) Studies on blood-brain barrier permeability after microwave-radiation, Rad. Environ. Biophys. 15, 367-377.  
 Oscar, K.J. & Hawkins, T.D. (1977) Microwave alterations of the blood-brain barrier system of rats, Brain Res. 126, 281-293.

## MW -- Ca<sup>2+</sup>

- Adey, W.R. & Bawin, S.M. (1977) Efflux of calcium and amino acids from cerebral tissues with weak, low frequency electric fields. *Fed. Proc.* 36, 589.
- Adey, W.R. & Bawin SM (1982) Binding and release of brain calcium by low level electromagnetic fields. *Rad. Sci.* 17(5s) 149.
- Bawin, S.M. & Adey, W.R. (1976) Sensitivity of calcium binding in cerebral tissue to weak environmental electric fields oscillating at low frequency. *Proc. Nat. Acad. Sci. USA* 73, 1999-2003.
- Bawin, S.M., Sheppard, A.R. & Adey, W.R. (1978) Bioelectro-chem. *Bioenergetics*, 5, 67-76. [0.1 - 1.0 mW/cm<sup>2</sup> -> 45Ca<sup>2+</sup>]
- Bawin, S.M., Adey, W.R. & Sabbot, I.M. (1978) Ionic factors in release of 45Ca<sup>2+</sup> from chicken cerebral tissues by electromagnetic fields. *Proc. of the Nat. Acad. Sci., USA* 75, 6314-6318.
- Blackman, C.F., Elder, J.A., Weil, C.M., Benane, S.G. & Eichinger, D.C. (1977) Two parameters affecting radiation-induced Ca<sup>++</sup> efflux from brain tissue. in *Abstracts 1977 Int. Symp. Biol. Effects Electromagnetic Waves* (Oct. 30-Nov.4. 1977, Airlie, VA), p.101.
- Blackman, C.F., Elder, J.A., Wil, C.M., Benane, S.G., & Eichinger, D.C. (1979) Modulation-frequency and field-strength dependent induction of calcium-ion efflux from brain tissue by radio-frequency radiation. *Radi Sci.* 14, 93-98.
- Blackman, C.F., et al (1980) Calcium-ion efflux from brain tissue: power-density vs internal field-intensity dependencies at 50-MHz RF radiation. *BEM* 1,277-283.
- Blackman, C.F. et al (1985) Effects of ELF (1-120 Hz) and modulated (50 Hz) RF fields on the efflux of calcium ions from brain tissue in vitro. *BEM* 6, 1-11.
- Blackman CF et al (1985) *BEM* 6: 327. [Earth -> Ca<sup>++</sup>]
- Blackman, C.F. et al (1988) Influence of electromagnetic fields on the efflux of calcium ions from brain tissue in vitro: a three model analysis consistent with the frequency response up to 510 Hz. *BEM* 9, 215-227.
- Kaczmarek, L.K. & Adey, W.R. (1973) The efflux of 45Ca<sup>2+</sup> and 3H-gamma aminobutyric acid from cat cerebral cortex. *Brain Res.* 63, 331-342.
- Kaczmarek, L.K. & Adey, W.R. (1974) Weak electric gradients change ionic and transmitter fluxes in cortex. *Brain Res.* 66, 537-540.
- Rasmussen, H. (1970) Cell communication, calcium ion, and cyclic adenosine monophosphate. *Science* 170, 404-412.

## BIORHYTHMS

- Aschoff J (1965) Circadian rhythms in man. *Science* 148, 1427-1432.
- Blackman S & Catalina D (1973) The moon and the emergency room. *Percept Mot Skills* 37: 624-626.
- Brown FA (1959) Living clocks. *Science* 130, 1535.
- Brown FA (1971) Some orientational influence of non-visual terrestrial em fields. *Ann. N.Y. Acad. Sci.* 188: 224-41.
- Brown FA (1972) The "Clocks" timing biological rhythm. *Am. Scientist* 60, 756.
- Lanzarotti LJ (1988) The Earth's magnetic environment. *Sky and Telescope* Oct. 1988.
- Lerner EJ (1988) The Big Bang never happened. *Discover* June 1988. [magnetic -> universe]
- Lieber AL (1978) Human aggression and the lunar synodic cycle. *J. Clin. Psychiatry* 39: 385-391.
- Newell ND (1963) Crises in the history of life. *Sci. Am.* 205:77. [species extinctions]
- Schumann (1952) *Z. Naturforsch.* 7A, 150
- Thiemann W & Jarzak U (1981) *Origins of Life* 11: 85. [magnetic -> life]
- Weller G et al (1987) *Science* 238: 1361. [present knowledge of the magnetosphere]
- Wever R (1973) Human circadian rhythms under the influence of weak electric fields and the different aspects of these studies. *Int. J. Biometeorol.* 17, 227-232.
- Wever R (1975) The circadian multi-oscillatory system of man. *Int. J. Chronobiol.* 31, 19-55.
- Winstead K. et al (1981) Biorhythms: fact or superstition. *A. J. Psychiat* 138(9), 1188.

## EM WEAPONS (&NON-LETHAL WEAPONS)

- NBC News Magazine by David Brinkley@1981.3.13
- Alexander, J.B., Lt.Col., US Army (1980) The new mental battlefield. *Military Rev.* December 47-54.
- Alexander, J.B. US Army, Ret. (1989) Antimaterial technology. *Military Rev.* Oct.
- Bearden, T. (1978) Soviet Psychotronic Weapons: A condensed background, *Specula*, March-June, pp.20,27.
- Byrd EA (1979) *Technology Tomorrow* June 1979.
- de Caro, Chuck (1987) The zap gap. *The Atlantic* March 1987. [David fratus(1988)]
- Cooper P (1994) ARPA office takes on crime. *Defense News* 1994.6.27/7.3, p.16
- DOD (1988) *Soviet Military Power.* pp.146.
- Electromagnetic-gun competition. *IDR* 12/1982:1748 [not an EM radiation weapon]
- Giovanni de Briganti (1994) Lasers, viruses, may rule no-fly zone sky. *Defense News* Feb.7-13: 1,45.
- Holzer R & Munron (1992) Microwave weapons stun Iraqis. *Defense News* April 13-19: 1,52.
- Holzer R (1992) US Navy to study use of laser weapons aboard combat ships. *Defense News* April 27-May 3
- International Herald Tribune* 1993.12.23 [Zhirinovskys secret weapon]
- Kiernan V (1993) War over weapons that can't kill. *New Scientist* 140(1903): 14.
- LaMothe JD (1972) *Controlled Offensive Behavior - USSR* (Unclassified), Defense Intelligence Agency, Washington, D.C.
- Lovece J (1994) CIA asked to review 'Buck Rogers' Weapon. *Defense Week* Jan.18: 6. [sound resonance weapon]

- Maire III, L.F. & LaMothe, J.D. (1975) Soviet and Czechoslovakian Parapsychology Research (Unclassified), Defense Intelligence Agency, Washington, D.C.
- Mar, R.K. (1986) Bnad-less tank killer. U.S.Naval Institute Proc. September
- Martinez, Thomas and Guinther, John (1988) The Brotherhood of Murder. NY, McGraw-Hill. [The Order - \$.1m -> scientists]
- Michrowski A (1980) Covert ELF Warfare, Specula, January-March, p.27.
- Morrison, D. (1989) Tactical laser weapons. Lasers Optronics May
- Newell, C.R. Lt.Col. US Army (1989) The technological future of war, Military Rev. Oct. 22-28.
- One to One: Edward Teller (1992) Defense News May 25-31: 30.
- Opall B (1992) Pentagon forges strategy on non-lethal warfare. Defence News Feb.17:1,50.
- Opall B (1992) Pentagon units jostle over non-lethal initiative. Defence News March 2: 6.
- Opall, Barbara (1993) US explores Russian mind-control technology. Defense News Jan.11-17: 4, 29. [Stonehill,1994]
- Opall B (1994) DoD to boost nonlethal options. Defense News March 28-Apr 3: 46.
- Opall B (1994) Sound waves may target N. Korean tunnels. DN June 13-19: 1,37.
- Polsky D (1992) Livermore plans tiny laser weapons Defense News June 1-7: 22-23.
- Slayton, B.F., Mj. US Army (1980) War in the Ether: Soviet radio-electronic warfare. Military Rev. Jan. 1980, 56-68.
- Starr B (1993) Non-lethal weapon puzzle for US Army, Int. Defense Rev. Apr. 319.
- Starr B (1994) Pentagon maps non-lethal options. IDR 30-39.
- Stonehill, Paul (1994) Fate Feb.1994.
- Stonehill, Paul (1994) Russians still bent on mind control, UFO 9(3): 16-17.
- Tapscott, M. (1993) DOD, Intel agencies look at Russian mind control technology, Defense Electronics July, 17.
- Temnenbaum AN & Moore AM (1993) Non-lethal weapons. Futurist Sep/Oct: 20-23.
- Tyler PE (1986) The electromagnetic spectrum in low-intensity conflict. In Low-Intensity Conflict and Modern Technology, edited by Lt.Col.David J.Dean. USAF Center for Aerospace Doctrine, Research, and Education, Maxwell Air Force Base, Ala.: Air University Press. *Re: Walter Reed's microwave research Department: its history and mission [Part 1 of two parts]. (1989) in Bioelectromagnetics Society Newsletter Jan/Feb 1989.*
- Weinschenk A (1993) Non-lethal weapons group set to form in March. Defense Week Nov.22: 1,14.
- Younger SM (1993) AGEX II, the high-energy-density regime of weapons physics. Los Alamos Science No.21: 63.
- Zigunenko, Stanislav (1992) Tekhnika Molodezhi Magazine Sept.1992 [Stonehill,1994]

## INTERNAL SECURITY EQUIPMENT

- Hogg IV (1989) Keeping them out : solutions to perimeter protection. IDR 10/1989:33-37.[mw sensor, etc]
- Internal Security Equipment Survey (1980) IDR 8/1980: 1261-1265. [mw sensor, &c]
- Internal Security Equipment Survey (1981) IDR 10/1981: 1347-1348 [strobe gun, &c]
- Internal Security Equipment Survey (1984) IDR 6/1984: 804. [perimeter protection sys]
- Internal Security Equipment Survey (1985) IDR 6/1985: 925-927.[mw sensor,&c]
- Israel stun grenade IDR 10/1987: 1386.
- Lovece J (1993) FBI used military robots in Waco; standoff but got mixed results. Defence Week May 17: 16.

## EM – VICTIMS

- mediaecco Stockholm  
(1993) NZ Herald 1993.1.30, 1.31 [Mr. Larry Hammond]
- Besly, Kimm (1984) Electro Magnetic Pollution : A Little Known Health Hazard, A New Means of Control ?, Preliminary Report Greenham Common Women's Peace Camp, Inlands House, Southbourne, Ensworth, Hants, England PO10 8JH, 1984.
- Chamberlain P (1993) Frequency assault : the case of the Verneys. OPEN Eye 2: 28.
- Farkas K (1991) Psychiatrist testifies at mom's hearing. The Plain Dealer 1991.6.28
- Koski M (1981) My life depends on you !
- Neal RM (1991) Paralysis by microwaves. MUFON 283: 14.
- Rex Niles !<-, Los Angeles Times March 28, 1988. Part II p.1&8 (Z92-176)
- Slesin L (1987) Zapped ? The Nation March 14 [the Greenham Common]
- SovData Dialine - Soviet Press Digest, February 15, 1992.  
(DELOVOI MIR) (see 1985/Voronezh)
- Wade N (1972) Fischer-Spassky charges: What did the Russians have in mind?  
Science 177: 778.

## ULTRASONICS

- Ben-Hur, E. & Green, M. (1982) Temperature dependence of ultrasound-induced cell killing: the role of membrane fluidity, *BEM* 3, 247-251.
- Carstensen, E.L. (1982) Biological effects of low-temporal, average-intensity, pulsed ultrasound, *BEM* 3, 147-156.
- Henry GE (1954) *Ultrasonics*. *Sci. Am.* 190(5), May.
- Young, R. & Henneman, E. (1961) Reversible block of nerve conduction by ultrasound. *Archives of Neurology (Chicago)*, 4, 83-89. [Swett, 1981] u.sonic -> frog nerve.

## SUBLIMINAL

- Bevan W (1964) Subliminal stimulation: a pervasive problem for psychology. *Psychol. Bull.* 61: 81-99.
- Bryce, Susan (1992) Television: Drug of the nation. *Nexus* 2(10): 11-14.
- Clark E (1988) *The Want Makers*. Hodder & Stoughton.
- Dixon NF () *Subliminal Perception*.
- Eagle (1959) The effects of subliminal stimuli of aggressive content upon conscious cognition. *J. Pers.* 27: 578-600.
- House of Representatives, Committee on Science and Technology, Subcommittee on Transportation, Aviation and Materials (1984) *Subliminal Communication Technology*.
- Key WB (1974) *Subliminal Seductions*. Signet Books, NY.
- Key WB () *Media Sexploitation*.
- Key WB (1980) *The Clam Plate Orgy*. Prentice Hall, Sydney.
- Spence DP (1967) Subliminal perception and perceptual defence: two sides of a single problem. *Behav. Sci.* 12: 183-193.
- U.S. Patent # 3773049 Nov. 20th 1973

## PSYCHIATRY AND MIND CONTROL ... PSYCHOSIS OR MIND-CONTROL

TINNITUS [RN 1994.4.26]

Shulman A (1991) *Tinnitus Diagnosis/Treatment*. Lea and Febiger, Philadelphia, pp.547, \$ 99.50 [Neurosurgery 32(4): 688]

unknown diseases [RN 1994.4.26]

dental filling material [RN 1994.4.26]

computer society [RN 1994.4.26]

[key words: man-machine interaction, man-computer interaction, dataregister, data integrity, data law, information society, cyberculture, future research, artificial intelligence]

Burnham D (1983) *The Rise of the Computer State*. NY:Random House.

Eden PF (1994) Privacy on parade. *Futurist* 28(4):1994.7/8, p.38.

Huxley, Aldous () *Brave New World*.

Marx G & Reichman N (1984) Routinizing the discovery of secret: computers as informants. *Am. Behav. Scientist* March

Masuda () *The Information society*. [see letter of RN 1994.1.26]

Orwell, George () 1984.

Rosnak, Theodore (1986) *The Cult of Information* [Akwei vs NSA]

Warwick DR (1992) The cash-free society. *Futurist* Nov/Dec. p.19.

Wiener, Norbert () *Cybernetics*. 2nd ed. The MIT Press.

Zamytian () *We*.

National Diet Library Code #

*Acta Neurochir Suppl.* 30:1980- Z54-H260

*Acta Physiologica Scandinavica* 0E3:1942- Z53-D17

*Acta psychol. (Amst.)* 0E1(1):1935- Z52-A27

*Acta Physiol. Pol.* 0E 19:1968.1- Z53-N390

*Acustica* 1:1951- Z53-A438

*Adv. Neurol.* NIL

*Adv. physics.* 0E NIL

*Aerosp. Med.* 0E31:1960- (Z53-G120)

*Aerospace Med. Res. Labs.* 0E NIL

*Am. J. Epidemiol.* 0E 81:1965- Z53-D75

*Am. J. Med.* 34:1963- Z53-C384

*Am. J. Med. Electron.* 0E2:1963- (Z53-D301)

*Am. J. Physical Anthropology* 0E1:1943- (Z53-B358)

*Am. J. Physiol.* 0E1(1):1898- Z53-D19

*Am. J. Psychiat.* 0E 107(2):1950- Z53-D588 iç117-136.scan.137:1980-1982.12 (147,8 E+0(ÆA)

*Am. J. Surg.* 139: 1980- Z54-A679

*Am. Nat.* 1:1967: Z53-B374

Am. Psychologist 04(4):1949.4- (Z52-A28)  
 Am. Scientist 04 30(2):1942- Z53-A7  
 Am. Zool. 04 2:1962- Z53-C145  
 Anesthesia & Analgesia 04 59(1):1980.1-  
 Anesthesiology 52: 1980- Z53-X394  
 Animal Behav. 04 6:1958- Z53-C197  
 Ann. N. Y. Acad. of Sciences 04 23:1913- (Z53-A134)  
 Ann. Neurology Z53-X98  
 Ann. Otol. 04 NIL  
 Ann. Otol. Rhin. Laryngol. 04 89(2):1980- Z54-B54  
 Ann. Rep. Coll. Surg. 04 NIL  
 Ann. roy. Coll. Surg. Engl. 04 1(1):1947- Z54-A675  
 Ann. Surgery 04 191(1):1980- Z54-A570  
 Annual Review of Psychology 04 48:1986- Z63-A174 æOè-SB21-15,150,158-A615  
 Appl. Neurophysiology 04 38(1):1975- Z53-D68  
 Arch. Anat. Pshysiol., Lpz. 0@0@04 NIL  
 Arch. Italiennes de Biologie 04 100:1962- Z53-B426  
 Arch. General Psychiatry 04 Z53-D587  
 Arch. Neurology (Chicago) 04 37(1):1980- Z53-D586  
 Arch. Neurol. Psychiat.(Chic.) 04 61(1):1949.1- 81: 1959 Z53-D585 scan. 75: 1956 - 81: 1959  
 Arch. Ophthalmology 04 4:1949- Z53-D615  
 Arch. Otolaryngol. 04 49:1949- Z53-D622  
 Arch. Phys. Med. Rehabil. 34: 1953- Z53-D558  
 Arch. Psychiat. Nervenkr 04 227:1979.7- Z53-W395  
 Atlantic Z55-A173  
 Aviat. Space Environ. Med. 46:1975- Z53-G120  
 Behav. Biol. 04 7(1):1972- Z53-R80  
 Behavioral and Brain Sciences ( BBS ) Z53-W364 scan. 1(1):1978-1994.6 (ex.1991)  
 Behav. Sci. 04 1(1):1956- Z51-A8 scan. 1964-1982.  
 Berichte Gesamte weber die Physiol. Exp. Pharmakologie 04 1(1):1920- Z53-D22  
 Bioelectro-chem. Bioenergetics 04 1:1974- Z53-T414  
 Bio-electromagnetics 04 2(1):1981- Z54-C507 scan. - 15(5): 1994 (1987NIL0A1989out. )  
 Biolog. Psychiat. 04 1:1969- Z53-S61  
 Biomed. Eng. 4: 1970- Z53-W478  
 Bio-med. Instru. 04 NIL  
 Bio-med. Instru. Technology 04 23:1989- Z54-A106 (Med. Instru. èñue )  
 Biomed. Sci. Instrum. 04 NIL  
 Biophys. J. 04 1:1960.9- Z53-B461  
 Biophys. Soc. Abstracts 04 NIL  
 Biotelemetry and Patient Monitoring 04 1(1):1974- 9(4):1982. Z53-W267. scanned all.  
 Biul. eksp. Biol. Med. nil  
 Brain 04 1938- Z53-R18 scan. 103:1980 - 117(4):1994.8  
 Brain. Behav. Evol. 04 1:1968- Z54-C321  
 Brain Research 04 1(1):1966.1- (Z53-L382)  
 Brain Res. Bull. 1: 1976- Z53-V263  
 Bull. Am. Physical Soc. 1:1956- Z53-A409  
 Bull. Exp. Med. 04 51:1961- Z53-B390  
 Bull. Math. Biol. 04 35:1973- Z53-B447  
 Bull. Psychonomic Soc. 13:1979- Z53-V384  
 Can. J. Zool. 32: 1954- Z53-C148  
 Cand. M.A. J. 04 88:1963- Z53-C460  
 Cell 04 1:1974- Z53-V215  
 Clin. Neurol. Neurosurg 82(1):1980- Z54-A686  
 Clin. Neuropsychol. 3:1981-5:1983 Z54-C436  
 Commun. Behav. Biol. 04 1:1968-6:1971 Z53-R80 [see Behav. Biol.]  
 Confun. neurol. (Basel), 04 23(3):1963- Z53-D68  
 Corrections Today 41:1979- Z51-G214  
 CRC Rev. Environ. Contr. 04 10:1980- 19:1990 Z54-A101  
 Crime and Delinquency in California 1984- (-1983 books) Z61-A216-B  
 Crime and Justice 1987- (-1986 books) Z61-C225-B  
 Crime Prevention and Criminaal Justice Newsletter 7:1982-1986 Z51-P290-KO  
 Crime Prevention Review 1:1973-6:1979 Z51-K258  
 Defense Electronics 04 12:1980.3- Z54-A492  
 Defense News 7(1): 1992- Z92-505 scan. 1992.1.6 - 10.4, 1993.1-4, 1994.1.10 - 12.5/11  
 Defense Week 9:1988- Z51-P271 scan. 1988.1-1991.12, 1993.1-1994.8.29  
 Dissent 1:1954- Z51-B15  
 EEG Clin. Neurophysiol 04 14(1):1962- (Z53-N226) scan. 48(1):1980.1 - 83(6):1993.12 (75-81È+0{EÀ)  
 Electro-and magnetobiology 04 04 04 04 Z54-E816 1992- 1993:12(1)  
 Electronic Design 2:1954- Z53-E464  
 Electronics 04 04 04 (NY) 1:1936- Z53-E462 scan. 1991.6 - 1994.7.25

Endocr. 68:1961- Z53-D61  
 Endocrine Rev. 2:1981- Z54-B831  
 Epilepsia 3:1962- Z53-D357  
 Excerpta Medica 22:1969-57:1990 Z53-P418  
 Exp. Brain Research 01(1):1965- Z53-M198 scan. 1980 - 43: 1981  
 Exp. Neurology 015(1):1962- Z53-D69 scan..1993.10 -> 1992.11:118(2)  
 Fate  
 Fed. Probation 12:1948-46:1982 (1983- Int'l Organ. Data House) Z51-D48-M scan.70-77,80-91.3.  
 Fed. Proc. 01:1942- Z53-B428  
 Folia Primatologica 01:1936- Z53-P207  
 Folia Psychiat. et Neurol. Japon. 01:1935-39:1985 Z53-D351 (+i~JPN)  
 Frontiers Med. Biol. Eng. (Japan) 1: 1988 - Z54-G799 scan. 1:1988- 6(1): 1994  
 Futurist 5(1):1971 - Z55-B295 scan.25(3):1991.5/6 - 29(1):1994.6  
 Health Phys. 1:1958- Z53-B470  
 Helvetic Physiol. Pharmacol. Acta 01:1943- Z53-D27  
 Human Neurobiology 1:1982- Z54-D561 scan. 1982 - 1988  
 IEEE Eng. Med. Biol. Mag. 01 1:1982.3- Z54-D705 scan. 1:1982 - 13(3):1994.6/7 (ex1990-1991)  
 IEEE Spectrum 01 1:1964- Z53-L389  
 IEEE Int. Conv. Rec. 8:1961- Z53-P160  
 IEEE Trans. AES (Aerospace and Electronic Systems) 01 (Z53-M119)  
 IEEE Trans. BME (Bio-Medical Engineering) 011(1):1964.1- Z53-M457  
 scan. 27(1):1980.1- 41(7):1994.7; 1985.7-12, 1987.7-12; E+u{Æ} 1990.1-12.  
 IEEE Trans. Magn. 1:1965- Z53-L156  
 IEEE Trans. MTT (Microwave) 01 11:1963- Z53-N415.  
 Ind. Hyg. Occupat. Dis. (USSR) 01 NIL  
 Indian J. Med. Res. 0151:1963, 71:1980- Z53-C569  
 Indian J. of Physiology and Pharmacology 0128(1):1979- Z56-A156  
 Int. Defense Rev. 01 4:1971.2- Z51-J1460@0@0@scan. 1980 - (1994.1-4 NIL) 1994.10  
 Int. J. appl. Radiat. Isotopes 1: 1956- Z53-B90  
 Int. J. Biometeorol. 01 5:1961- Z53-B493  
 Int. J. Chronobiol. 01 1:1973- 8:1983 Z53-V20  
 Int. J. clin. exp. Hypnosis 28:1980- Z54-A799  
 Int. J. clin. Neuropsychol. 6:1984- Z54-C436 scan. 6:1984-12(4):1990  
 Int. J. Neurol. 13: 1979- Z54-C471  
 Int. J. Neuropsychiat. 01NIL  
 Int. J. Neuosci. 01 1:1970- Z53-W446  
 Int. J. Psychobiol. 01NIL  
 Int. J. Quant. Chem. 1:1967- Z53-N92  
 Int. J. radiat. Biol. 54:1988- Z53-B471  
 Int. Review of Neurobiology 0127:1985- Z63-A100 (æOë-É}Äæéó scan. 1985-1993  
 Investigative Radiology 0@01 14:1979- Z53-X88  
 IRCS Med. Sci. 9: 1981- Z54-B794  
 J. Acousi.Soc. Amer. 011:1929- (Z53-P26)  
 J. Am. Geriatr. Soc. 011:1953- Z54-Z332  
 J. Am. med. Ass. 173: 1960- Z53-N157  
 J. Appl. Phys. 8:1937- Z53-A376  
 J. Appl. Physiol. 011(1):1948- Z53-D28  
 J. Bioelectricity 01 1:1982-10:1991 scan.all Z54-E816 1992- Electro-and magnetobiology  
 J. biological physics 01 9:1981- Z54-D254  
 J. Cellular and Comparative Physiology 011(1):1932- Z53-D30  
 J. Clin. Psychiatry 41:1980- Z54-B211  
 J. comp. Physiol. A 154:1984- Z53-C185  
 J. comp. Physiol. B 154:1984- Z53-Y175  
 J. comp. Physiol. Psychol. 011947- Z52-A55  
 J. comp. Psychol. 010@1:1921- Z52-A55  
 J. Criminal Justice 1:1973- Z51-K35  
 J. Exp. Anal. Behav. 01 1(1):1958- (Z53-V324)  
 J. Exp. Biol. 1: 1923- Z53-B396  
 J. Genet. Psychol. 0184:1954- Z53-M295  
 J. Hist. Med. allied Sci. 1:19496- Z53-C499  
 J. interdiscipl. Cycle Res. 011:1970.5- Z53-S32  
 J. Iowa Med. Soc. 0170:1980- Z53-B128  
 J. Ment. Sc. 01 => British J. Psychiatry 97:1951- Z53-D353  
 J. Microwave Power 01 14:1979.3- Z53-X292 scan. - 28(2):1993 (excl.24,25)  
 J. Nervous and Mental Disease 01 169:1981- (Z54-B767) scan.-1993.1 (excl.1989.1-1991.6)  
 J. Neural Transm. 44:1979- Z53-V391  
 J. Neurol. Sci. 40:1979- Z53-V226  
 J. Neurophysiology 011(1):1938.1- Z53-D71  
 J. Neuropsychiat. 01NIL  
 J. Neurosurgery 0152(1):1980- Z54-A778 scan. 52(1):1980 - 80(6):1994.6 (ex1991.4-1991.12)



J. Neurol. Neurosurg Psychiat. 01(1):1938- Z53-D352 scan. 1980-48(6):1985.6  
 J. Occup. Med. 01 21:1979.8- Z53-X91  
 J. Physiol. (Lond.) 01140:1958- Z53-D32  
 J. Psychol. 011:1935/1936- Z52-A36  
 Laboratory Animal Science 21(1): 1971 - 42(6):1992.12 Z53-P334  
 Lancet 01 222(5672): 1932.5- 01Z53-C416 scan 1984 (June & Dec. INDEX)  
 Laryngoscope 0190:1980- Z54-A412  
 Life Sci. 01 1963- Z53-B399  
 Los Alamos Science 9:1983- Z54-F230 scan. 1983-1993 (excl. 1991)  
 Mal. Cardiovas. 01NIL  
 Mayo Clinic Proceedings 0155:1980.1- Z54-A509  
 Med. Biol. Eng. 014(1):1966- Z53-D3040@  
 Med. Biol. Eng. Comput. 0115:1977- Z53-D3040@  
 Med. Electron. Biol Eng 01 1:1963-3:1965 Z53-D304  
 Med. Instru. 01 14:1980- Z54-A106  
 Med. Progress through Technology 01(1):1972- Z53-W401  
 Med. Res. Eng. 015(2):1966- Z53-D301  
 Metabolism 11:1962- Z53-D50  
 Microwave News 01NIL  
 Microwaves and RF 21:1982- Z53-F6  
 Military Electronics Countermeasures 6(6):1980.6-9(4):1983.4 E54-A821  
 Military Rev. 01 36(9):1956.12- Z51-D3 scan.1980-1989.11, 1990.1-12, 1992.5-1994.5  
 Military Sci. & Technology 2(2):1982.1-2(3):1982.6 Z54-E398  
 Mutation Res. 01 1:1964- Z53-L479  
 The Nation Z55-A180  
 Nature 011:1869- (Z53-A28) scan.366(6452): 1993.11 -> 360:1992 (6444-6450 6(00,64))  
 Naturwissenschaften 017:1919- (Z53-A31)  
 Nav. Res. Rev. 01(Z53-A119)  
 Neurobehav. Toxicol. 1:1979- Z54-C108  
 Neurochirurgie 01 26:1980- Z54-A650  
 Neurologica Medicochirurgica (Tokyo) 1:1959-18:1978 Z53-M401  
 Neurology 0131(1):1981.1- Z54-C89  
 Neuroophthalmol. NIL  
 Neuropsychobiology (Basel) 1:1975- Z54-A288  
 Neuropsychologia 1:1963- Z53-D355  
 Neuroscience 1:1976- Z53-V202  
 Neurosci. Biobehav. Rev. 3:1979- Z53-X60  
 Neurosurgery 01 6 (1): 1980.1- (Z54-A464) scan 1980-1994.6  
 N. Engl. J. Med. 01244:1951- Z53-N131 scan.1981.1-8 (6,12 Index)  
 N. Scientist 52(772): 1971.12- Z53-A35 scan. 1993.12.4-1994.2.12, 1994.5.14-7.16  
 N.Y. State J. Med. 01 42:1942- Z53-C432  
 N. Y. T. Int. Ed. Z92-442 (City Ed. Z92-2)  
 N. Y. T. Magazine 1925.1- Z55-A183  
 Official J. Internal. Soc. Biotelemetry 01  
 Origins of Life 5:1974- Z53-P272  
 Percept Mot Skills 1:1949- Z53-V473  
 Perspectives 13: 1986- Z51-P230 & others  
 Philosophical Transactions Ser. B 01Z53-B445  
 Phys. Lett. 24:1967- Z53-A387  
 Physica Scripta 01 1:1982- Z54-H114  
 Physiologist 01 4:1961.2- Z53-D36  
 Physiology and Behavior 01(1):1966- Z53-M343  
 Physiol. chemistry and physics 01 11:1979- Z53-W127  
 Physiol. Rev. 01 1:1921- Z53-D34  
 Planetary Association for Clean Energy (PACE) #  
 Popular Electronics 6:1957- Z53-F12  
 Proc. ecol. Soc. Aust. 01NIL  
 Proc. IEEE 010@51:1963- Z53-F560@  
 Proc. Int. Union Physiol. Sci. 01NIL0@  
 Proc. Nat. Acad. Sci. USA 01 1:1915- Z53-A78  
 Proc. R. Soc. Med. 55: 1962- Z53-C484  
 Proc. Soc. Exp. Biol. and Med. 0128(1):1930- Z53-B438  
 Progressive 21:1957- 31:1967 Z52-B273  
 Progr. Brain Res. 01NIL  
 Progr. Neurol. Surg. NIL  
 Psychiatr. Neurol. Jap. 01  
 Psychological Bulletin 01(1):1904.1- Z52-A41  
 Psychological Reports 01 10:1962- Z52-A43  
 Psychol. Rev. 011:1894- Z52-A39  
 Psychol. Today 6:1973-23:1989 Z53-S376

Psychonomic Sci. 0@0@0NIL  
Psychosom. Med. 00 11:1949- (excl. 22-41) Z53-D591  
Quart. Rev. Biol. 1:1926- Z53-P394  
Rad. Environ. Biophys. 11:1974- Z53-L144  
Radio Sci. 00 1:1966- Z53-L80@scan 1980-1981.100@  
Res. Publ. Ass. nerv. ment. Dis. 00 NIL  
Revue neurol. 135: 1979- Z53-V467  
Science 00 1:1883- 00Z53-A48  
Science News 00 92(22):1967.11- (Z53-A53)  
Scientific American 00 1(1):1859.7.2- Z53-A54  
Sensors and Actuators 2:1981- Z54-C646  
Smithsonian 6:1976- Z55-C258  
Social Theory and Practice 2: 1973- Z51-K140  
Surgery 00 (St Louis) 87:1980- Z54-A596  
Surgical Neurology 00 13(2):1980.2- (Z54-A694)  
Technology Review 59:1957- Z53-C305  
Tekhnika Moledezhii 22(2): 1954- Z53-C311  
Time 23(1): 1934- Z55-A401  
Tohoku J. exp. Med. 1:1920- Z53-C486  
Trans. Am. Acad. Ophthalmol. Otolaryngol. 00NIL  
Trans. Am. Neurol. Assn. 00NIL  
Trans. Am. Soc. Artif. Int. Organs 00NIL  
Trans. Kans. Aca. Sci. 64: 1961- Z53-A96  
US News & World Report Z55-A188  
Yale J. of Biology and Medicine 00 22:1949- (Z53-B349)

© 1995 Freedom of Thought Foundation



## Application for ©Shareware License

To: W.H. Bowart  
P.O. Box 35072  
Tucson, Arizona  
85740-5072

Dear Bowart,

I'm honest and I want to support the principle of shareware. I want a copy right license to make \_\_\_\_\_ copies of the Researcher's Edition of *Operation Mind Control*.

My  check or  money order is enclosed for \$15 for each copy: \_\_\_ x 15 = \_\_\_\_\_

(Orders will be held until personal checks clear your bank.)

Please send my Shareware License to:

Name \_\_\_\_\_

Address \_\_\_\_\_

City \_\_\_\_\_ State \_\_\_\_\_ Zip \_\_\_\_\_

Phone: \_\_\_\_\_ No. of copies ordered \_\_\_\_\_

If ordering a license for several copies please copy this form or otherwise supply the name and addresses of those who will receive the other copies so that they can be registered. All copies will have a registration number and the network of readers will be contacted periodically with updates. This is a limited edition -- extended beyond the original issue of 500 copies, to the limit of your demand, through the shareware system.

**"Have we the nerve and the will? Can we carry through  
in an age when we will witness not only  
new breakthroughs in weapons of destruction, but also a race for  
mastery of the sky and the rain, the ocean and the tides, the far  
side of space, and the inside of men's minds?"**

**— John Fitzgerald Kennedy, 1959**

